



US00D646210S

(12) **United States Design Patent**
Sharma et al.

(10) **Patent No.:** **US D646,210 S**
(45) **Date of Patent:** **** Oct. 4, 2011**

- (54) **BUMPER FOR A VEHICLE**
- (75) Inventors: **Navendu Sharma**, Naperville, IL (US);
Jeffrey Russell Zawacki, Channahon,
IL (US); **Gary Donald Smith**,
Shorewood, IL (US)
- (73) Assignee: **Hendrickson USA, L.L.C.**, Itasca, IL
(US)

- D521,912 S 5/2006 Beigel et al.
- D530,653 S 10/2006 Angelo et al.
- D531,940 S 11/2006 McCuller et al.
- D535,225 S 1/2007 Tsai
- D535,231 S 1/2007 Otsubo et al.
- D537,389 S 2/2007 Beigel et al.
- D540,224 S 4/2007 Gregory et al.
- D540,722 S 4/2007 Angelo et al.

(Continued)

- (**) Term: **14 Years**
- (21) Appl. No.: **29/377,176**
- (22) Filed: **Oct. 18, 2010**

Related U.S. Application Data

- (63) Continuation of application No. 29/357,188, filed on
Mar. 9, 2010, now Pat. No. Des. 627,280.
- (51) **LOC (9) Cl.** **12-16**
- (52) **U.S. Cl.** **D12/169**
- (58) **Field of Classification Search** D12/169,
D12/196, 90-92; 293/102, 105, 113, 115,
293/117, 120; 296/180.1, 180.2
See application file for complete search history.

(56) **References Cited**

U.S. PATENT DOCUMENTS

- D400,144 S 10/1998 Hellhake et al.
- D403,636 S 1/1999 Meryman et al.
- D411,494 S 6/1999 Meryman et al.
- D418,095 S 12/1999 Reitnouer
- D419,506 S 1/2000 Texier et al.
- D420,634 S 2/2000 Nelson
- D423,429 S 4/2000 Hickman et al.
- D429,669 S 8/2000 Cook et al.
- D442,898 S 5/2001 Beigel
- D475,663 S 6/2003 Chiang
- D476,929 S 7/2003 Dozier et al.
- D482,302 S 11/2003 Dozier et al.
- D497,335 S 10/2004 Bird et al.
- D504,850 S 5/2005 Gunter et al.

OTHER PUBLICATIONS

U.S. Appl. No. 29/357,188, filed Mar. 9, 2010 and entitled Bumper
for a Vehicle.

Primary Examiner — Melody N Brown

(74) *Attorney, Agent, or Firm* — McDonnell Boehnen
Hulbert & Berghoff LLP

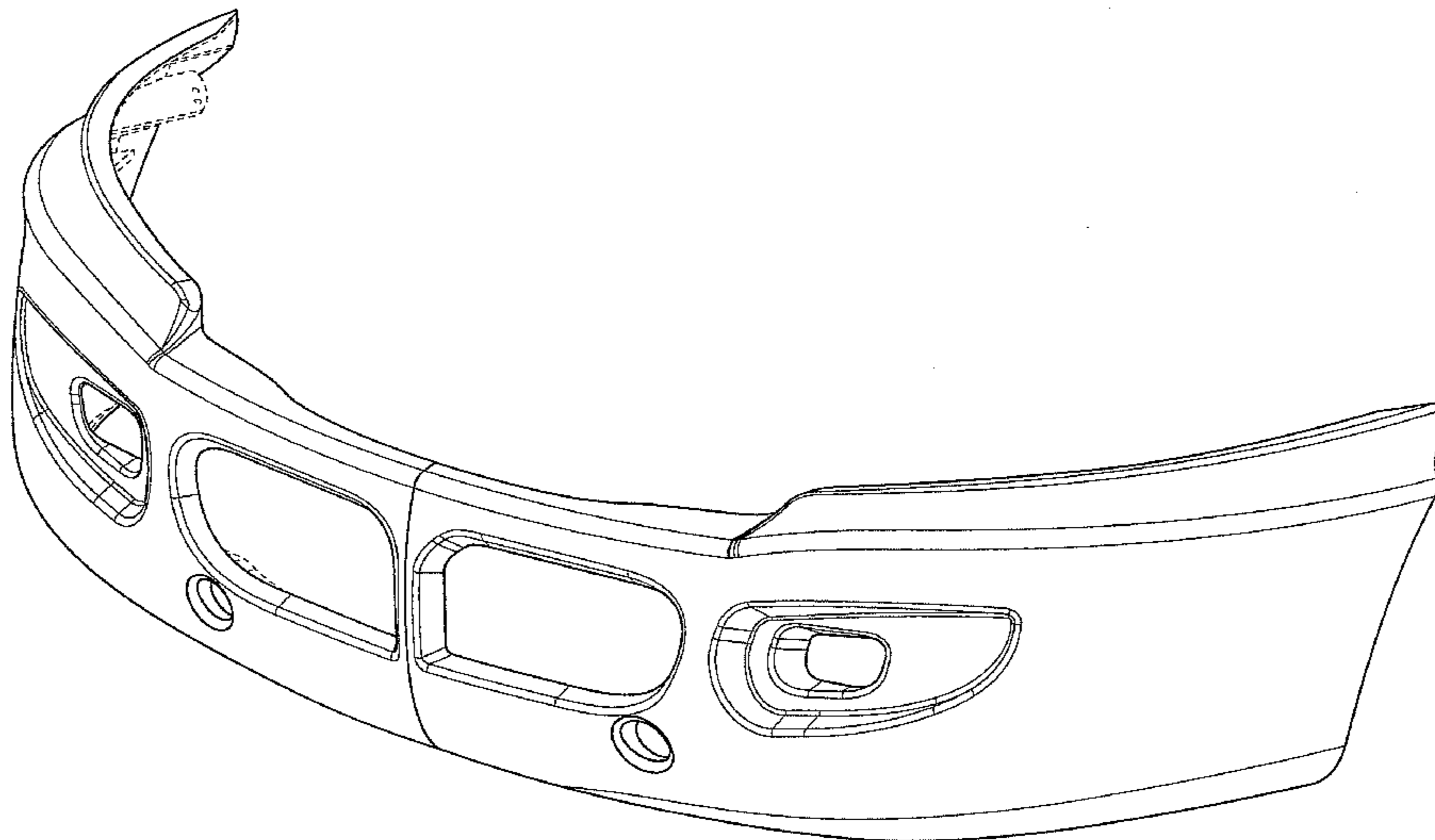
(57) **CLAIM**

The ornamental design for a bumper for a vehicle, as shown
and described.

DESCRIPTION

FIG. 1 is a perspective view of a bumper for a vehicle showing
our new design;
FIG. 2 is a front elevational view of the bumper for a vehicle
shown in FIG. 1;
FIG. 3 is a rear elevational view of the bumper for a vehicle
shown in FIG. 1;
FIG. 4 is a right side elevational view of the bumper for a
vehicle shown in FIG. 1;
FIG. 5 is a left side elevational view of the bumper for a
vehicle shown in FIG. 1;
FIG. 6 is a top plan view of the bumper for a vehicle shown in
FIG. 1; and,
FIG. 7 is a bottom plan view of the bumper for a vehicle
shown in FIG. 1.
The broken lines in FIG. 1, FIG. 3, FIG. 6, and FIG. 7 are
included for the purpose of illustrating environment structure
and form no part of the claimed design.

1 Claim, 7 Drawing Sheets



US D646,210 S

Page 2

U.S. PATENT DOCUMENTS

D551,136 S 9/2007 Manfredini
D556,649 S 12/2007 Beigel et al.
D556,653 S 12/2007 Leclercq

D563,840 S 3/2008 Simons et al.
D565,484 S 4/2008 Johnson et al.
D627,280 S * 11/2010 Sharma et al. D12/169

* cited by examiner

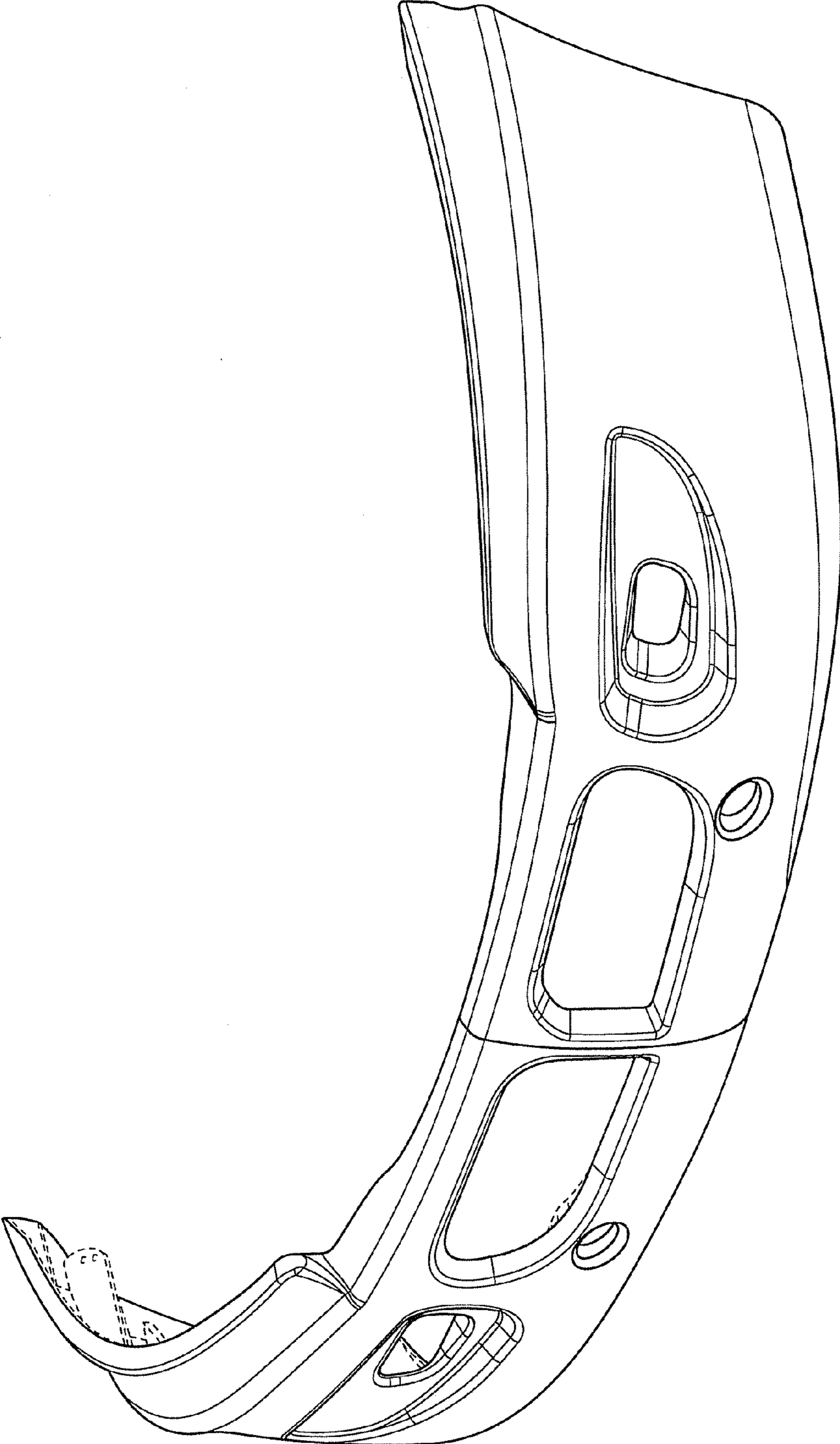


FIG. 1

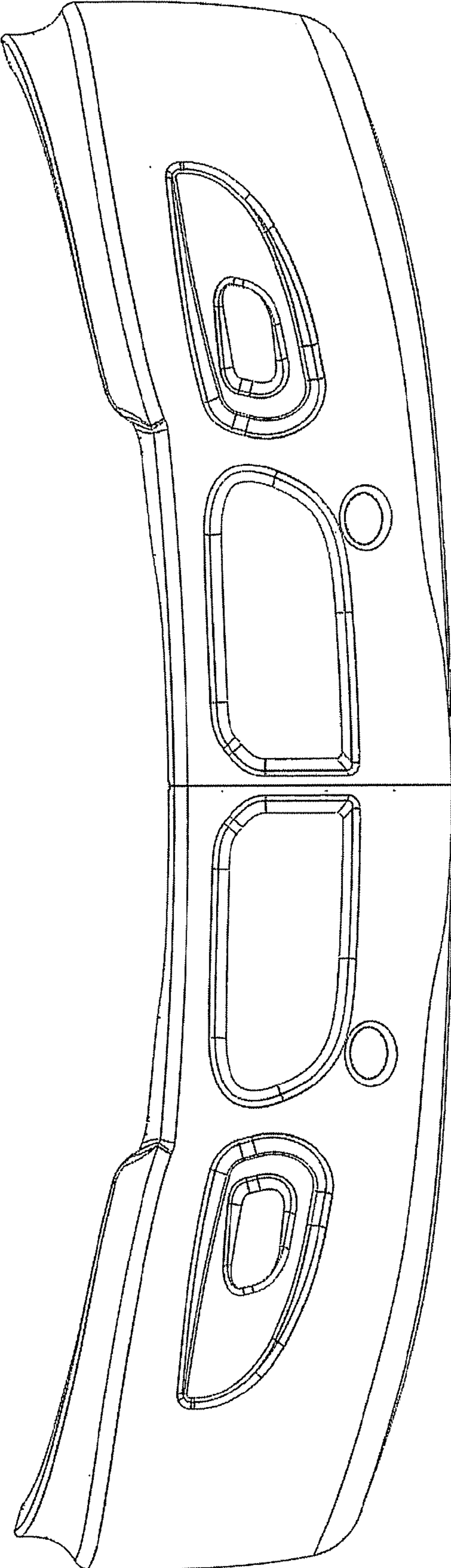


FIG. 2

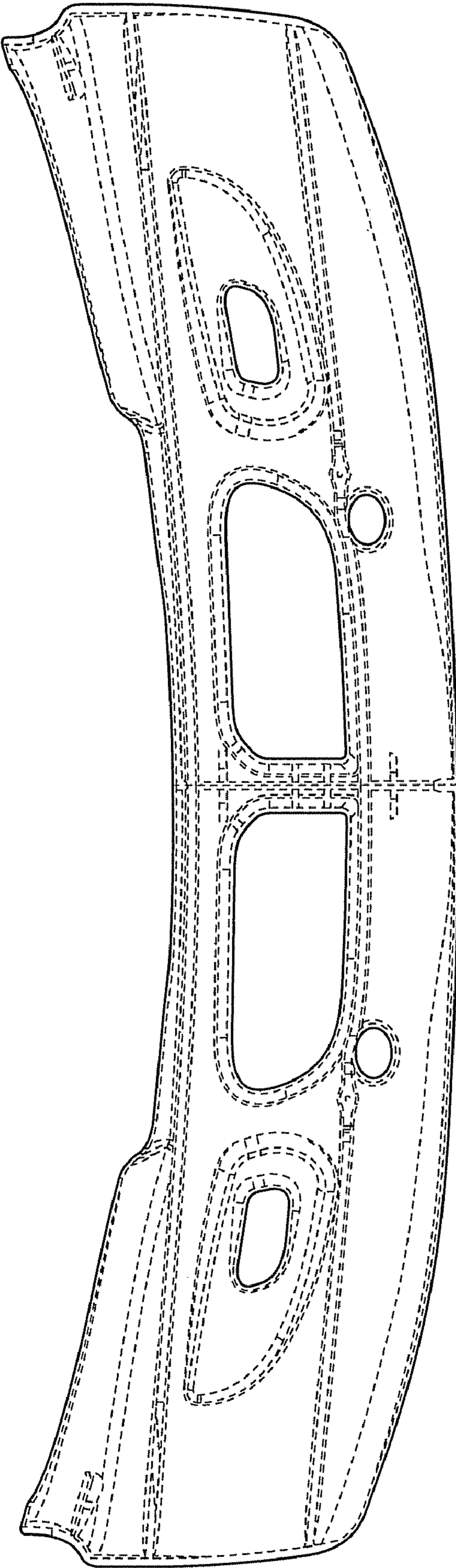


FIG. 3

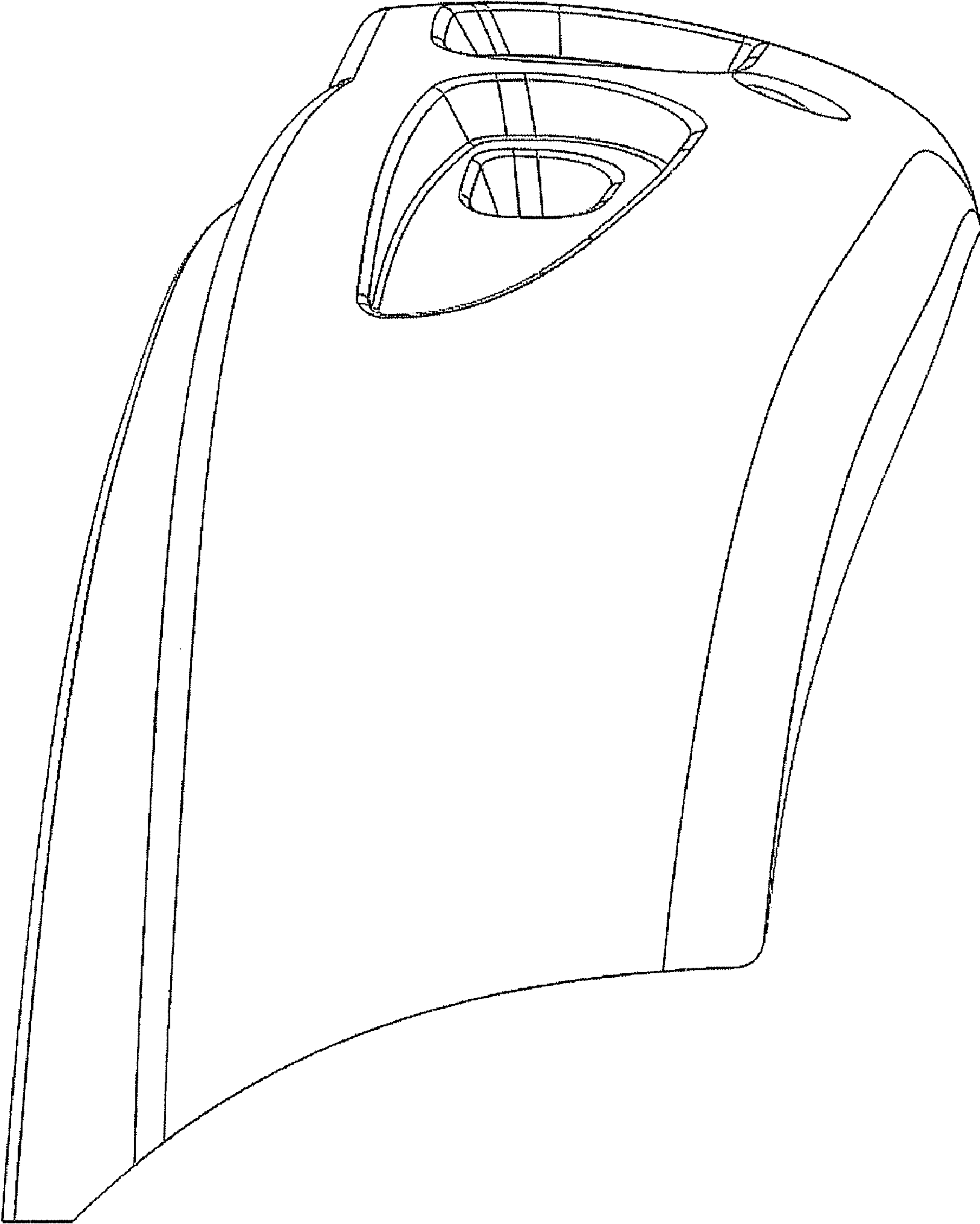


FIG. 4

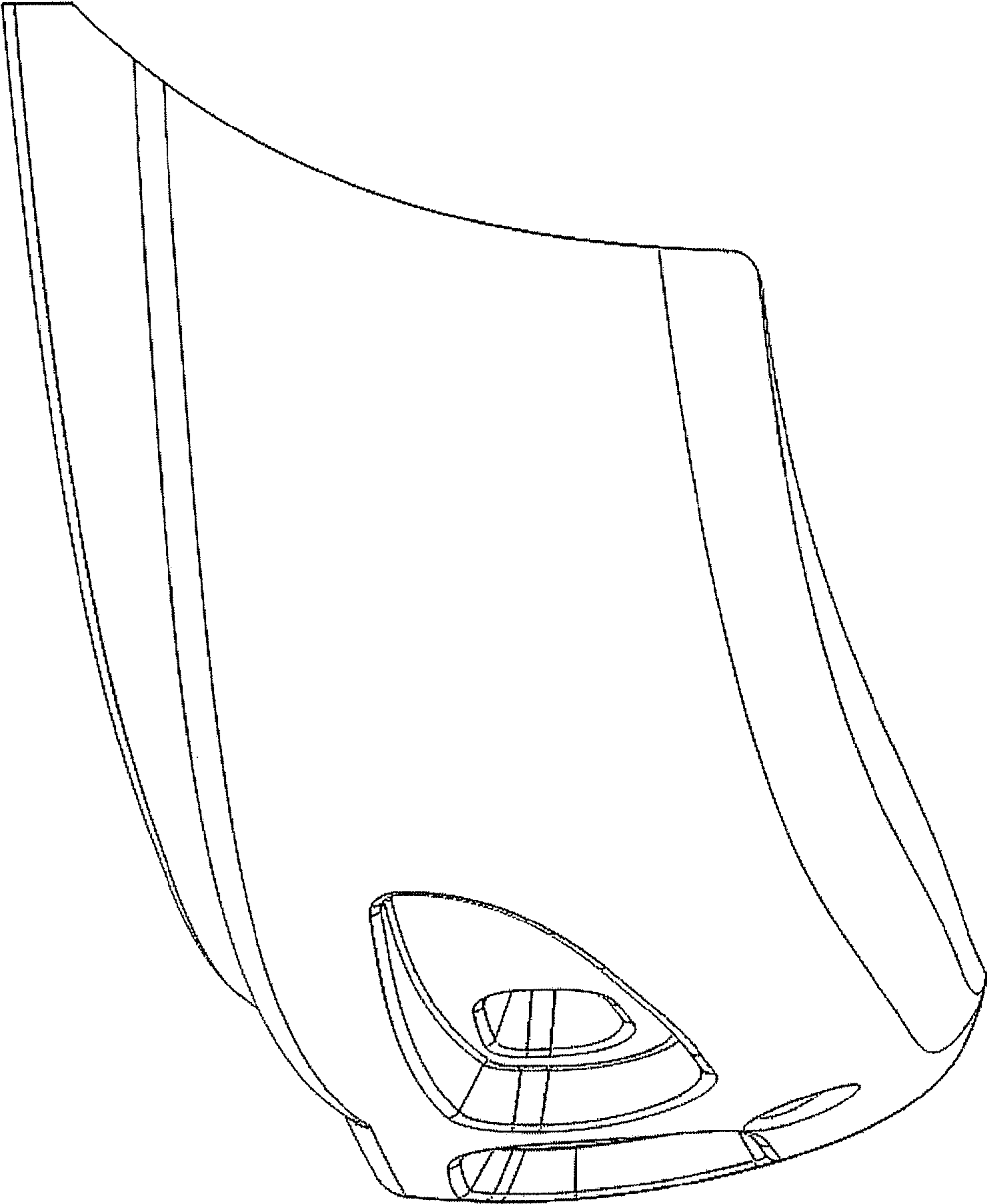


FIG. 5

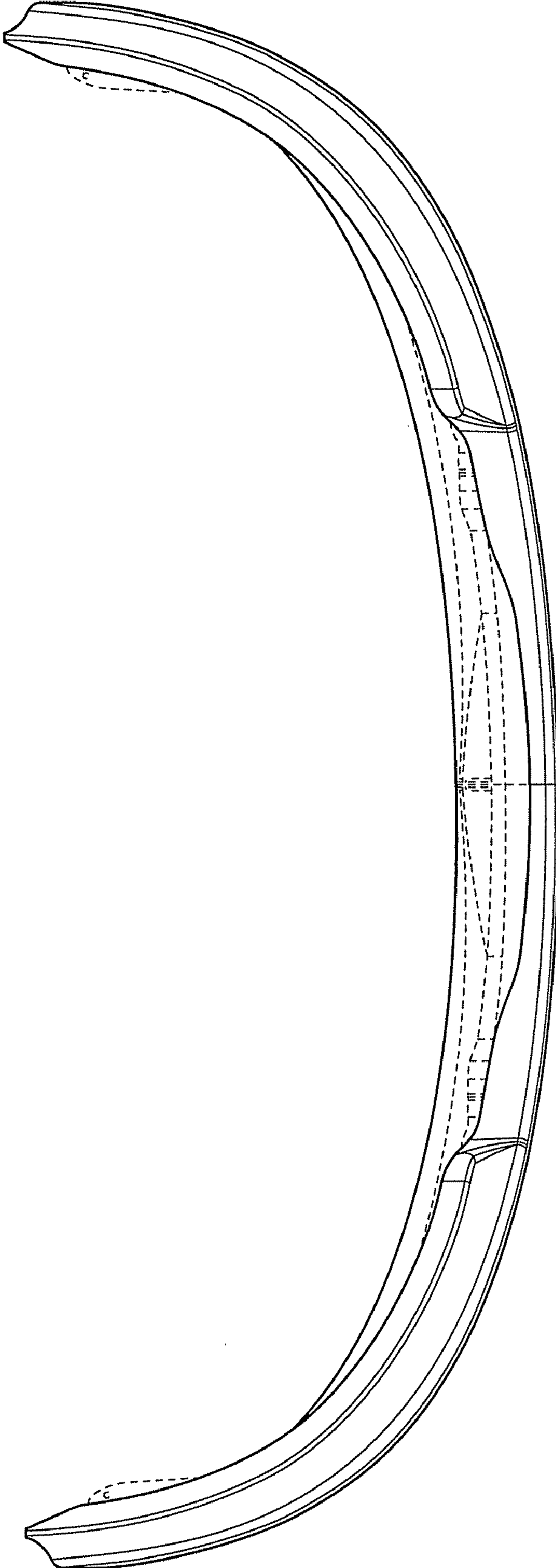


FIG. 6

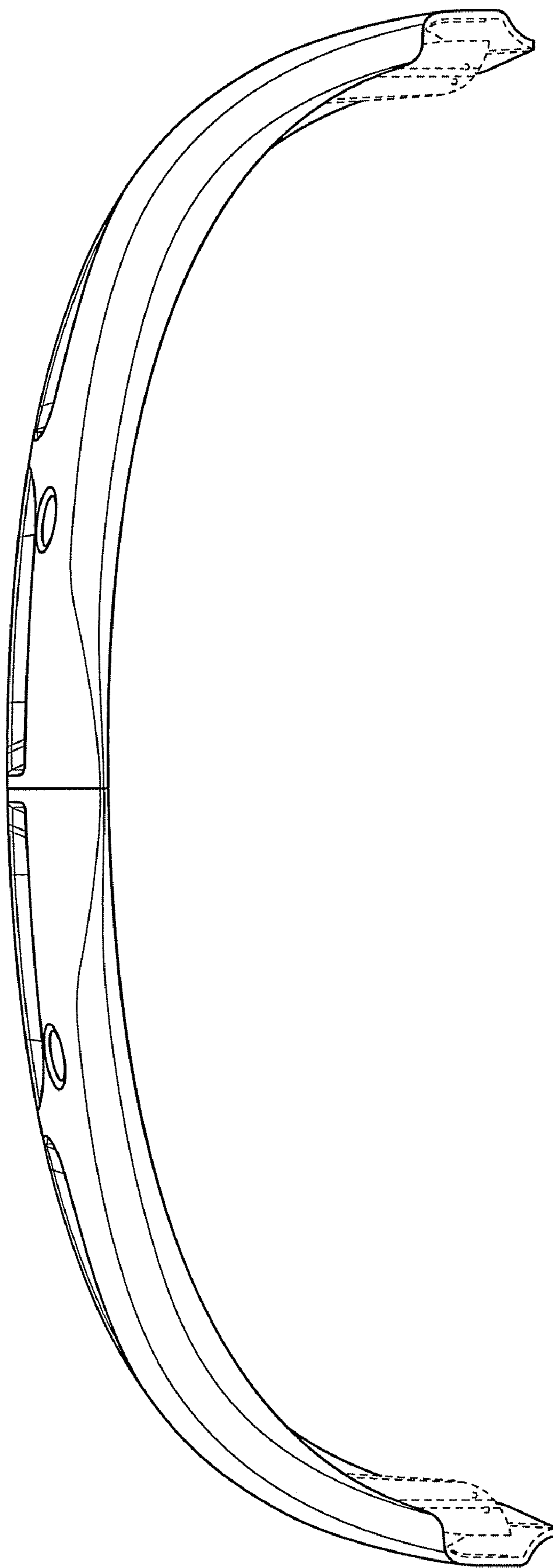


FIG. 7