



US00D646208S

(12) **United States Design Patent**  
**Ohnishi et al.**

(10) **Patent No.:** **US D646,208 S**

(45) **Date of Patent:** **\*\* Oct. 4, 2011**

(54) **HOOD OF BABY CARRIAGE**

(75) Inventors: **Ichiro Ohnishi**, Nara (JP); **Takayoshi Okuyama**, Yao (JP); **Motofusa Ito**, Uji (JP)

(73) Assignee: **Aprica Children's Products Inc.**, Osaka (JP)

(\*\*) Term: **14 Years**

(21) Appl. No.: **29/368,740**

(22) Filed: **Aug. 27, 2010**

(30) **Foreign Application Priority Data**

Mar. 8, 2010 (JP) ..... 2010-005569

(51) **LOC (9) Cl.** ..... **12-12**

(52) **U.S. Cl.** ..... **D12/133**

(58) **Field of Classification Search** ..... D12/128-133;  
280/62, 647-650, 29, 200, 47.38, 250.1,  
280/259, 642, 658; 296/65.03, 65.04; 224/409;  
297/DIG. 4

See application file for complete search history.

(56) **References Cited**

U.S. PATENT DOCUMENTS

4,915,120 A \* 4/1990 Ziolkowski ..... 135/90  
D396,207 S \* 7/1998 Berkey ..... D12/133

5,845,666 A \* 12/1998 Messner ..... 135/133  
D412,468 S \* 8/1999 Berkey et al. .... D12/133  
D428,366 S \* 7/2000 Schmidt ..... D12/133  
D432,464 S \* 10/2000 Gehr et al. .... D12/129  
D493,984 S \* 8/2004 Hussain ..... D6/491  
D527,316 S \* 8/2006 Oxseth ..... D12/129  
D532,343 S \* 11/2006 Butler ..... D12/133  
D615,780 S \* 5/2010 Kwon et al. .... D6/491

\* cited by examiner

*Primary Examiner* — Ian Simmons

*Assistant Examiner* — Charles Hanson

(74) *Attorney, Agent, or Firm* — Lempia Summerfield Katz LLC

(57) **CLAIM**

The ornamental design for a hood for baby carriage, as shown and described.

**DESCRIPTION**

FIG. 1 is a front view of a hood of baby carriage showing our new design;

FIG. 2 is a rear view thereof;

FIG. 3 is a top plan view thereof;

FIG. 4 is a bottom plan view thereof;

FIG. 5 is a right side view thereof;

FIG. 6 is a left side view thereof;

FIG. 7 is a perspective view thereof;

FIG. 8 is a cross sectional view taken along line 8-8 in FIG. 1; and,

FIG. 9 is a referential perspective view thereof showing the state in which hood cloths are removed.

**1 Claim, 9 Drawing Sheets**

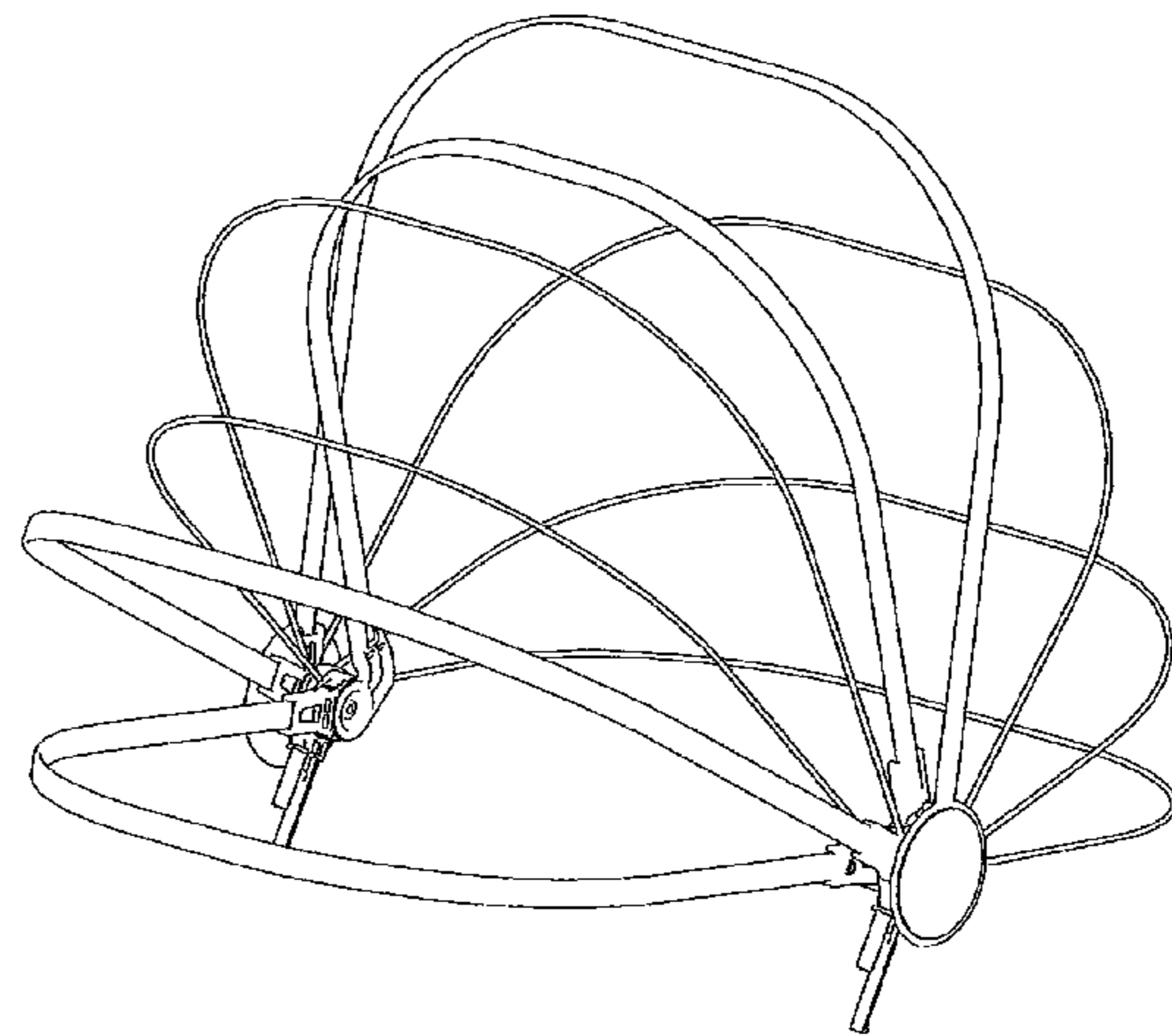
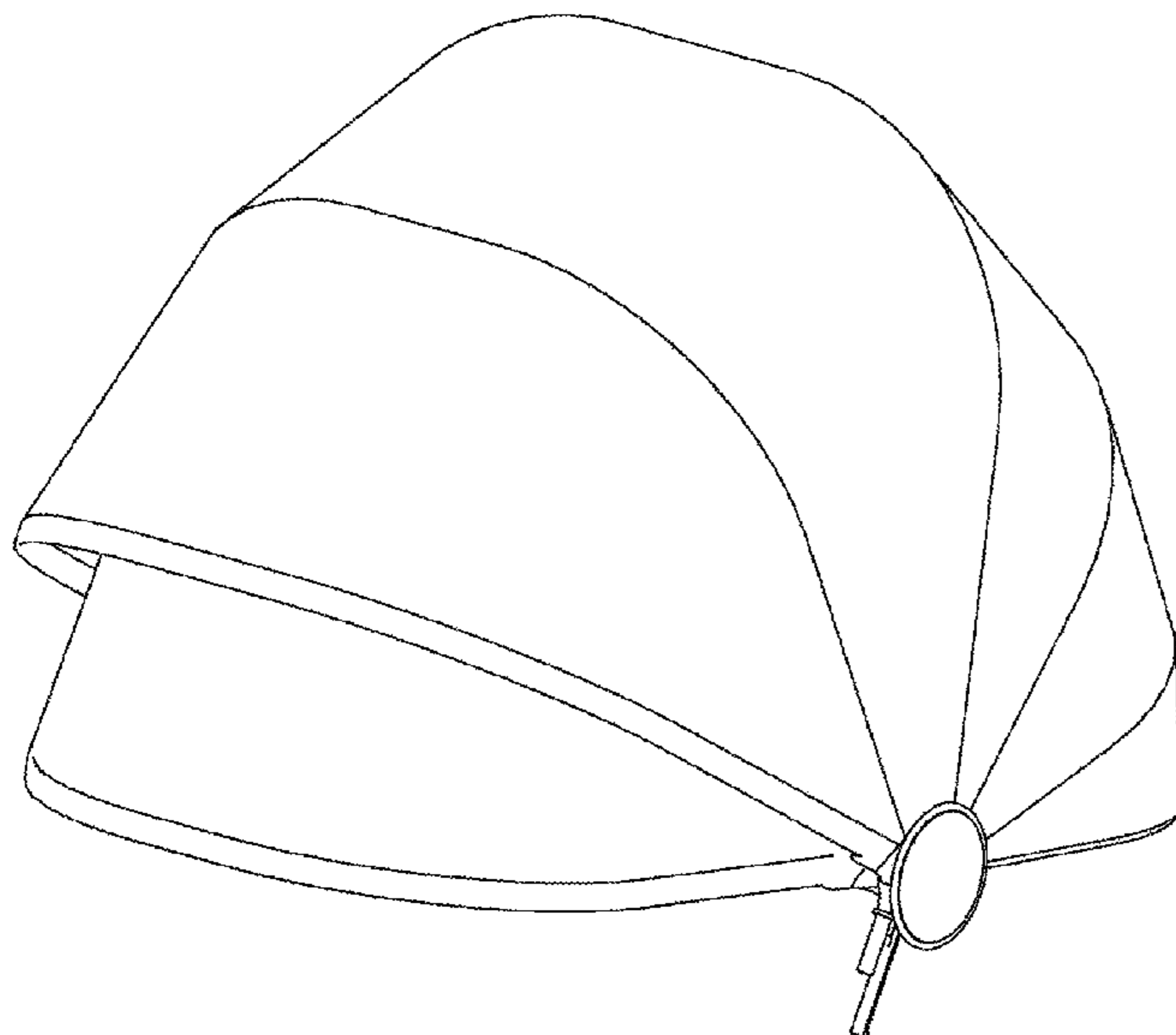


FIG. 1

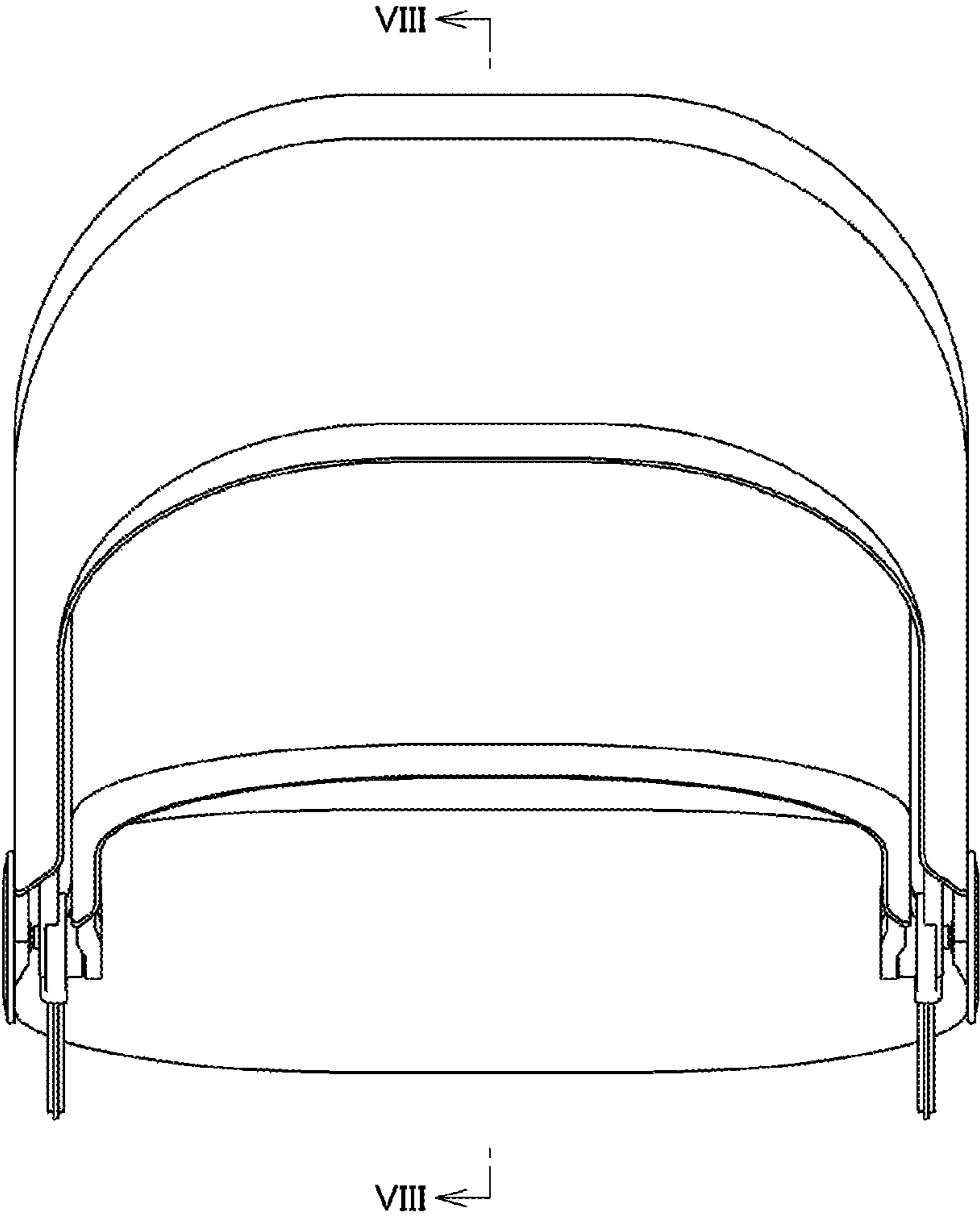


FIG. 2

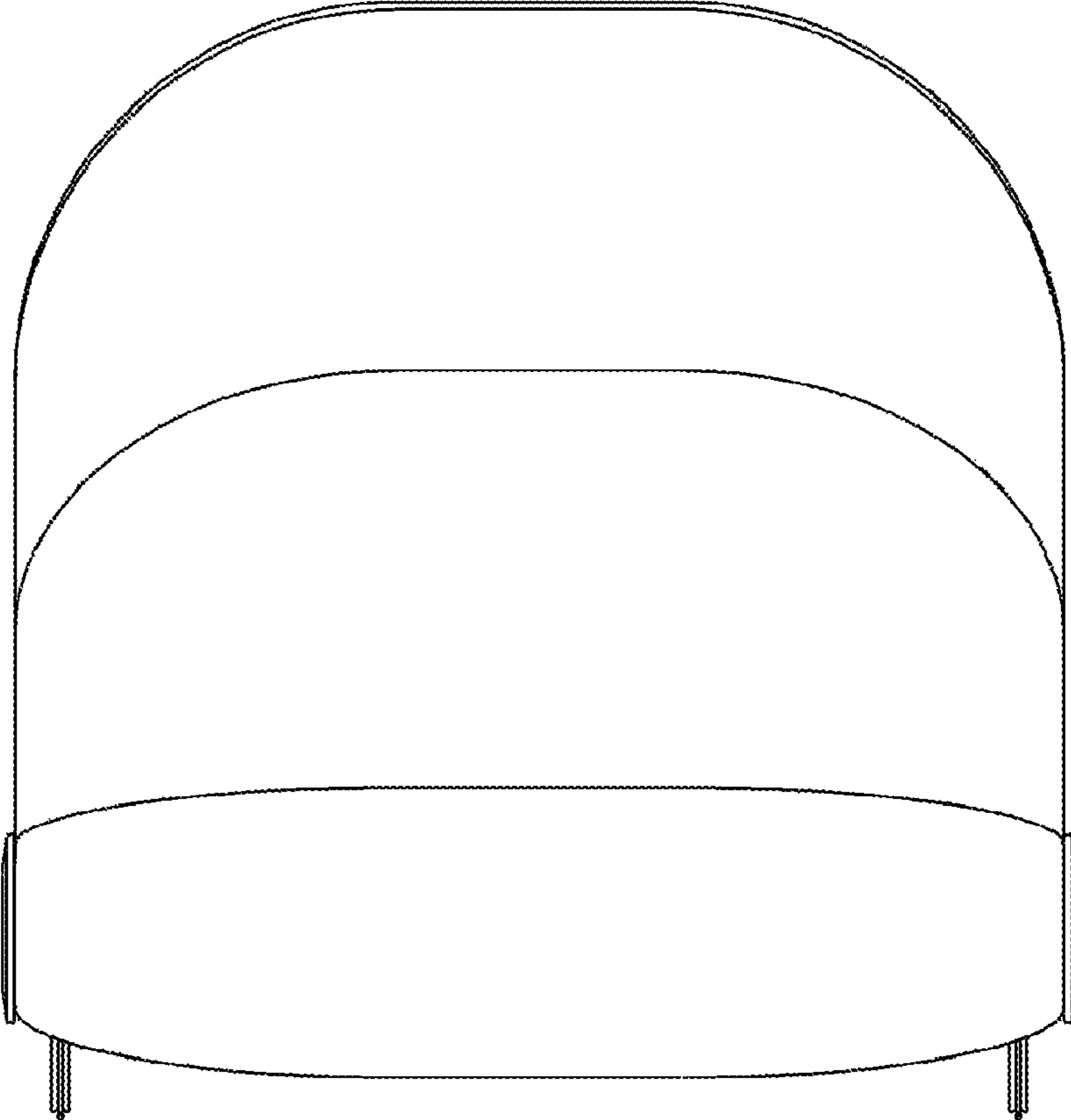


FIG. 3

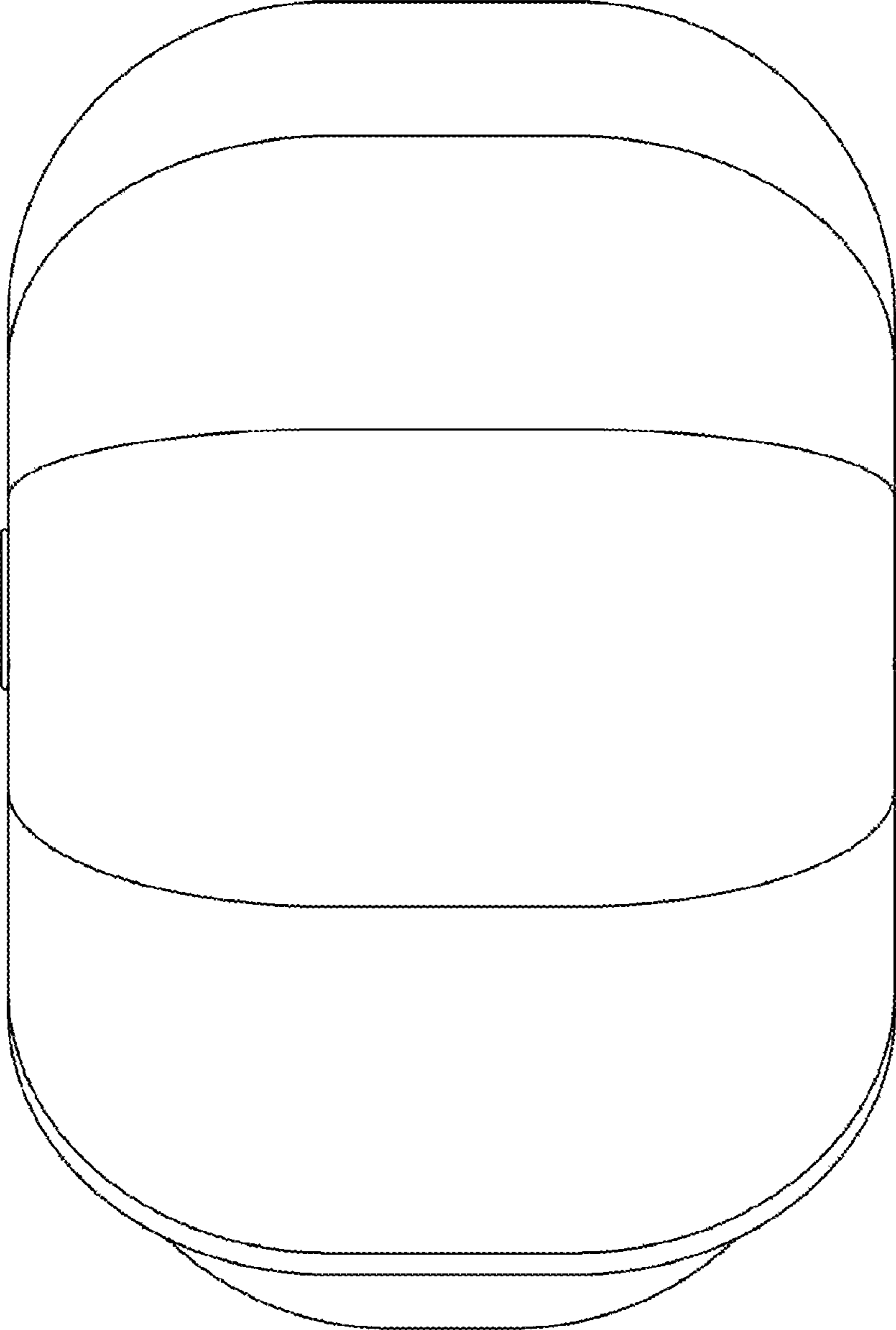


FIG. 4

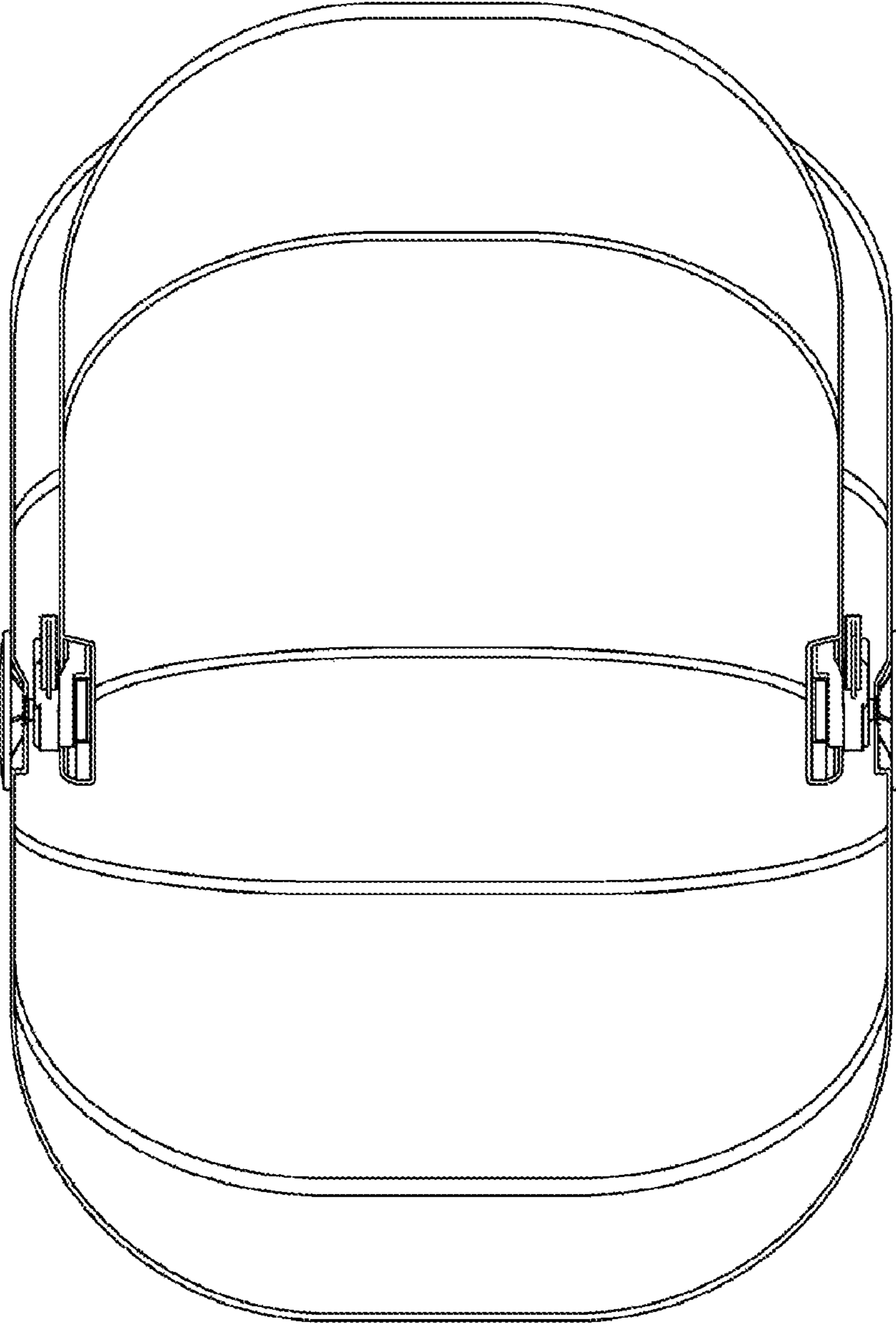


FIG. 5

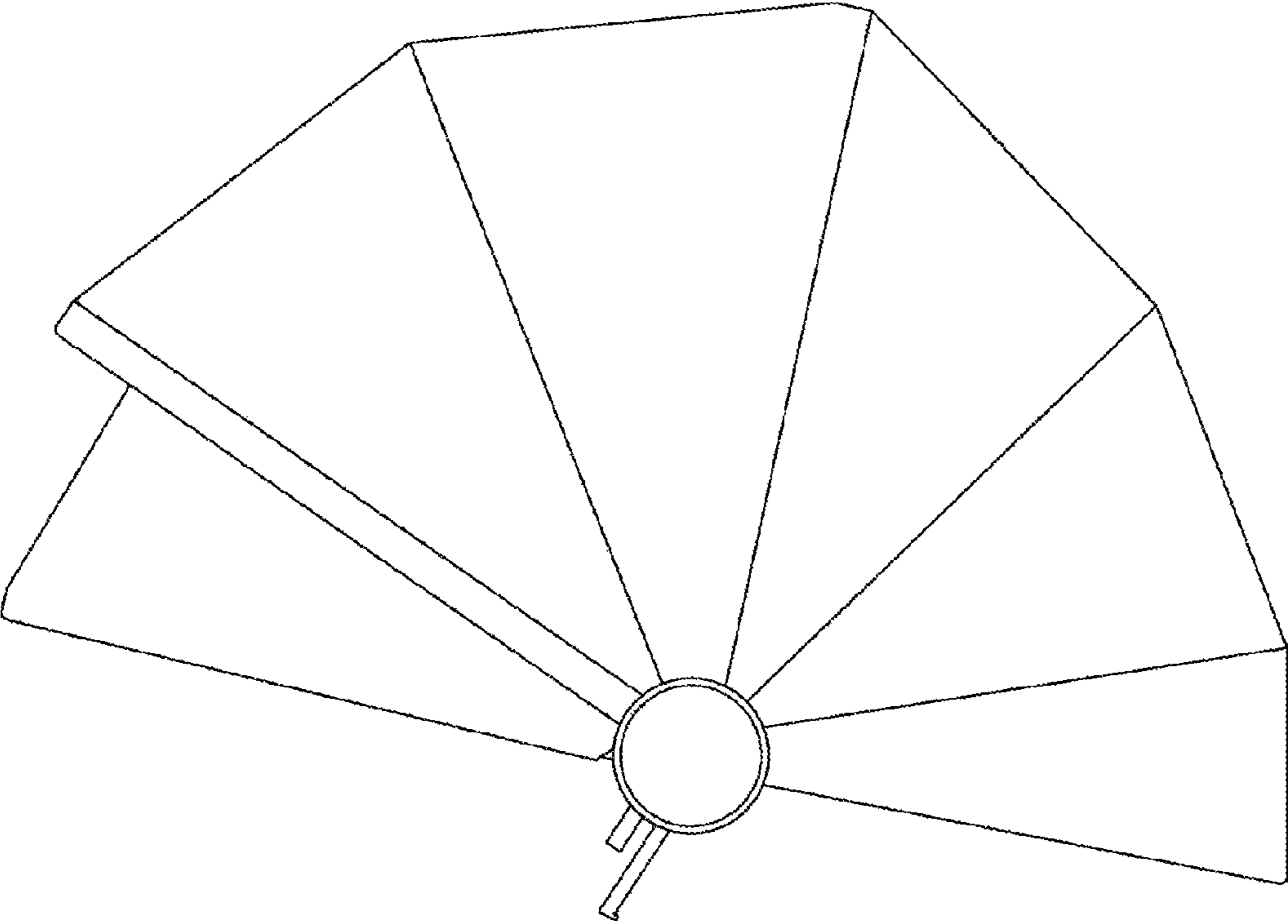


FIG. 6

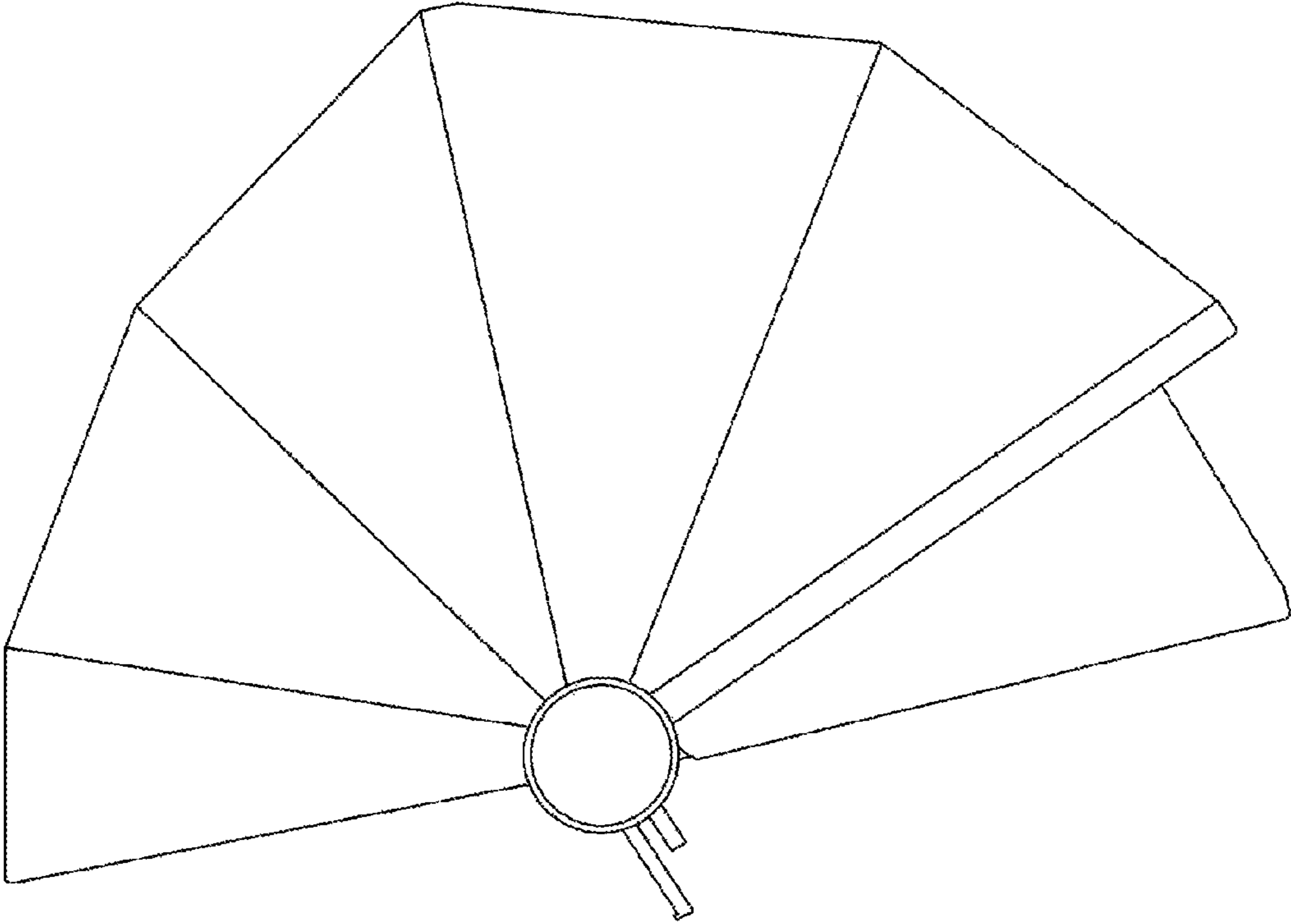


FIG. 7

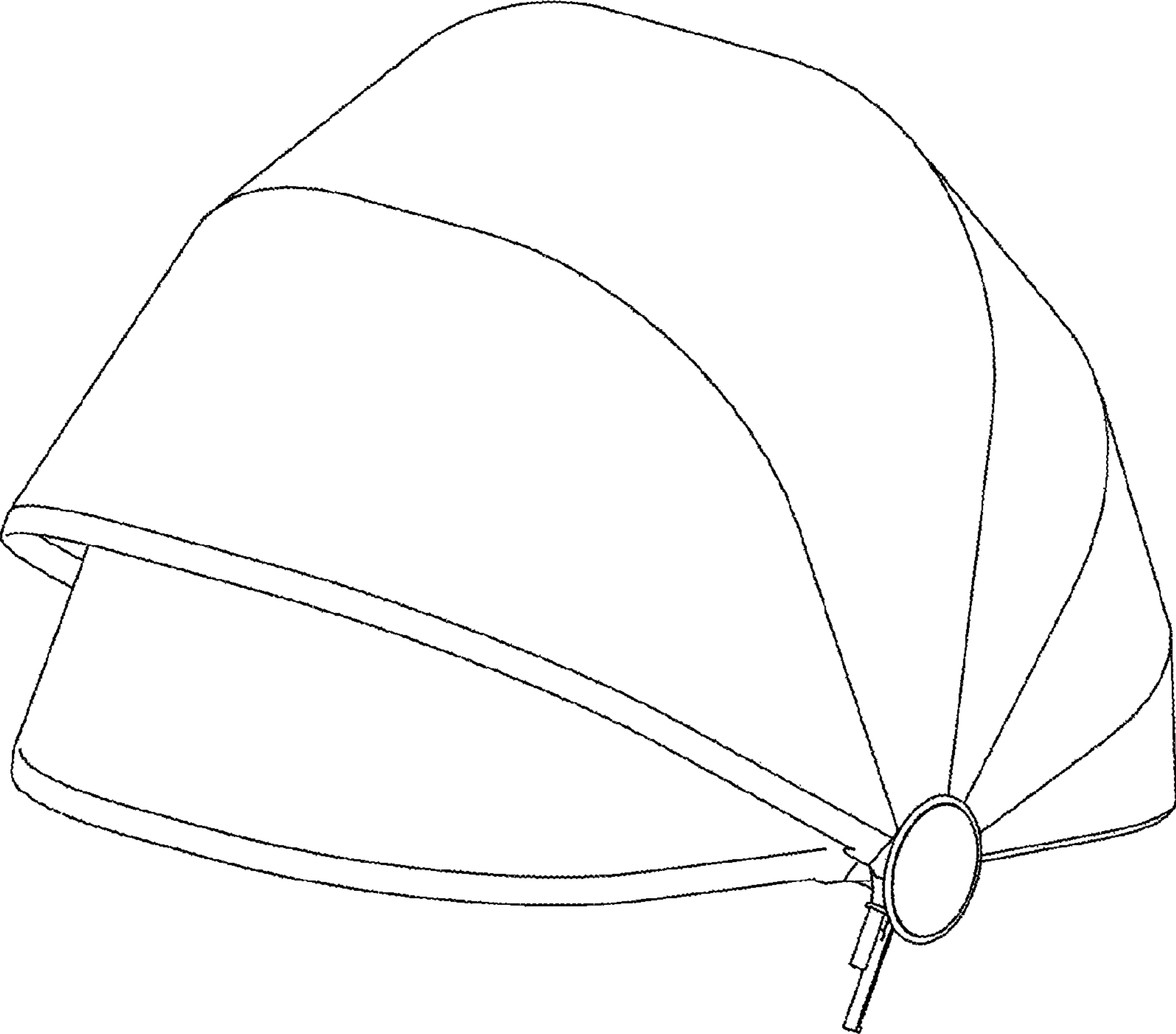




FIG. 8

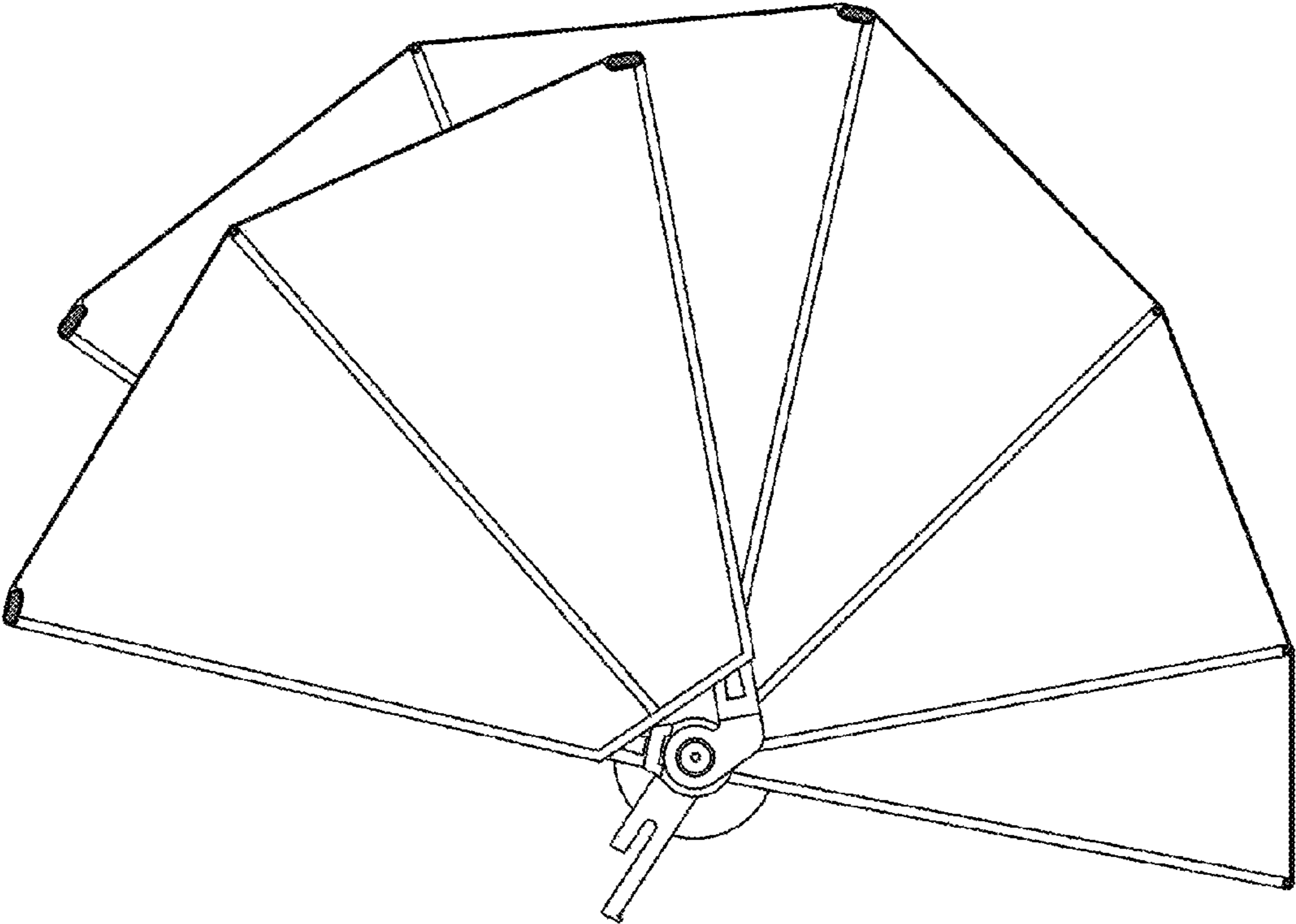
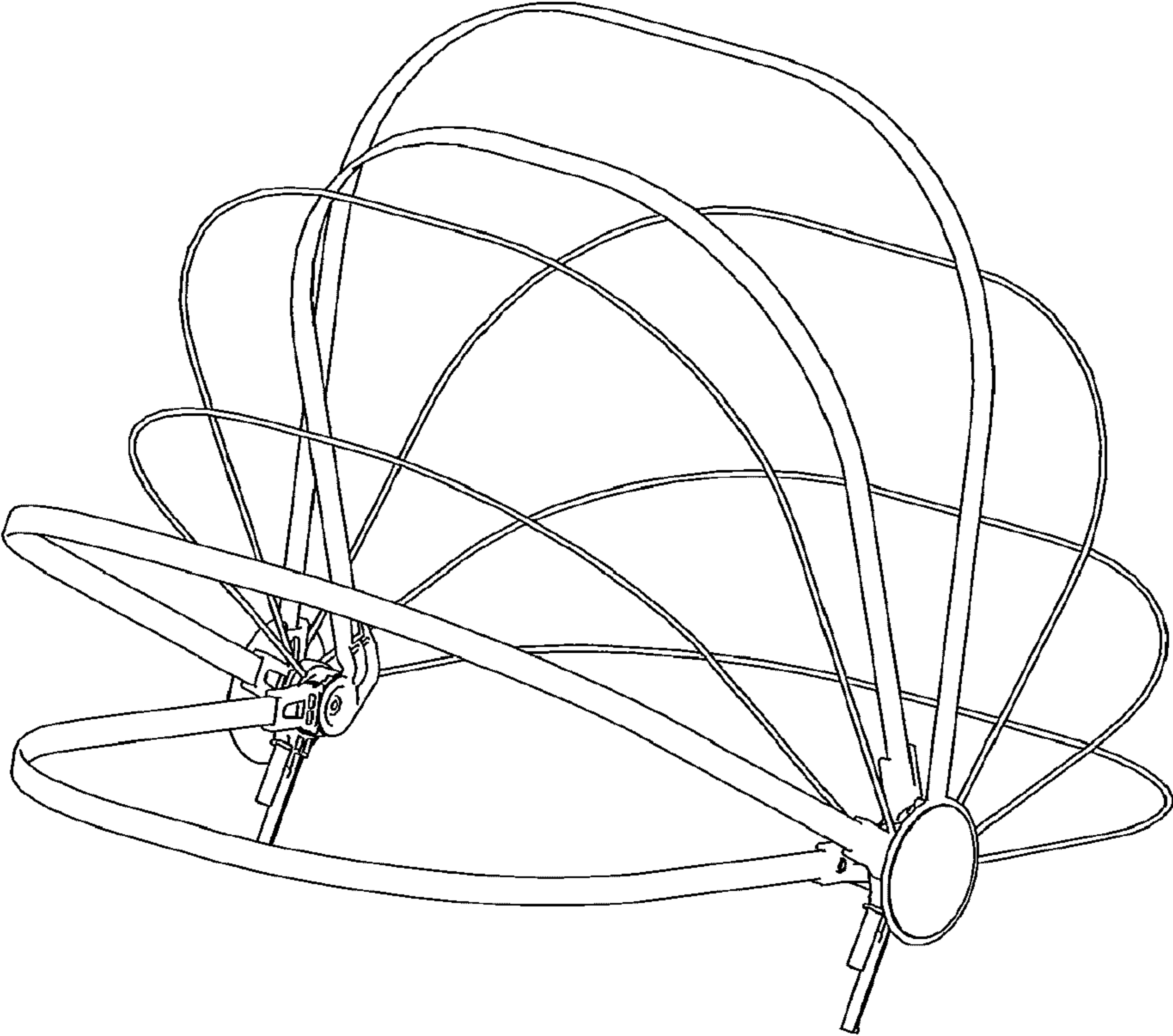


FIG. 9



UNITED STATES PATENT AND TRADEMARK OFFICE  
**CERTIFICATE OF CORRECTION**

PATENT NO. : D646,208 S  
APPLICATION NO. : 29/368740  
DATED : October 4, 2011  
INVENTOR(S) : Ichiro Ohnishi et al.

Page 1 of 10

It is certified that error appears in the above-identified patent and that said Letters Patent is hereby corrected as shown below:

Delete the title page and substitute therefore the attached title page showing the corrected description, number of drawing sheets and illustrative figure(s).

Delete Drawing Sheets 1-9 and substitute therefore the attached Drawing Sheets 1-8. FIG. 9 has been cancelled.

Signed and Sealed this  
Third Day of April, 2012

A handwritten signature in black ink that reads "David J. Kappos". The signature is written in a cursive, slightly slanted style.

David J. Kappos  
*Director of the United States Patent and Trademark Office*

(12) **United States Design Patent**  
**Ohnishi et al.**

(10) **Patent No.:** **US D646,208 S**  
(45) **Date of Patent:** **\*\* Oct. 4, 2011**

(54) **HOOD OF BABY CARRIAGE**

(75) Inventors: **Ichiro Ohnishi**, Nara (JP); **Takayoshi Okuyama**, Yao (JP); **Motofusa Ito**, Uji (JP)

(73) Assignee: **Aprica Children's Products Inc.**, Osaka (JP)

(\*\*) Term: **14 Years**

(21) Appl. No.: **29/368,740**

(22) Filed: **Aug. 27, 2010**

(30) **Foreign Application Priority Data**

Mar. 8, 2010 (JP) ..... 2010-005569

(51) **LOC (9) Cl.** ..... **12-12**

(52) **U.S. Cl.** ..... **D12/133**

(58) **Field of Classification Search** ..... D12/128 133;  
280/62, 647-650, 29, 200, 47.38, 250.1,  
280/259, 642, 658; 296/65.03, 65.04; 224/409;  
297/DIG. 4

See application file for complete search history.

(56) **References Cited**

**U.S. PATENT DOCUMENTS**

4,915,120 A \* 4/1990 Ziolkowski ..... 135/90  
D396,207 S \* 7/1998 Berkey ..... D12/133

5,845,666 A \* 12/1998 Messner ..... 135/133  
D412,468 S \* 8/1999 Berkey et al. .... D12/133  
D428,366 S \* 7/2000 Schmidt ..... D12/133  
D432,464 S \* 10/2000 Gelu et al. .... D12/129  
D493,984 S \* 8/2004 Hussain ..... D6/491  
D527,316 S \* 8/2006 Oxseth ..... D12/129  
D532,343 S \* 11/2006 Butler ..... D12/133  
D615,780 S \* 5/2010 Kwon et al. .... D6/491

\* cited by examiner

*Primary Examiner* — Ian Simmons

*Assistant Examiner* — Charles Hanson

(74) *Attorney, Agent, or Firm* — Lempia Summerfield Katz LLC

(57) **CLAIM**

The ornamental design for a hood for baby carriage, as shown and described.

**DESCRIPTION**

FIG. 1 is a front view of a hood of baby carriage showing our new design;

FIG. 2 is a rear view thereof;

FIG. 3 is a top plan view thereof;

FIG. 4 is a bottom plan view thereof;

FIG. 5 is a right side view thereof;

FIG. 6 is a left side view thereof;

FIG. 7 is a perspective view thereof, and

FIG. 8 is a cross sectional view taken along line 8-8 in FIG. 1.

**1 Claim, 8 Drawing Sheets**

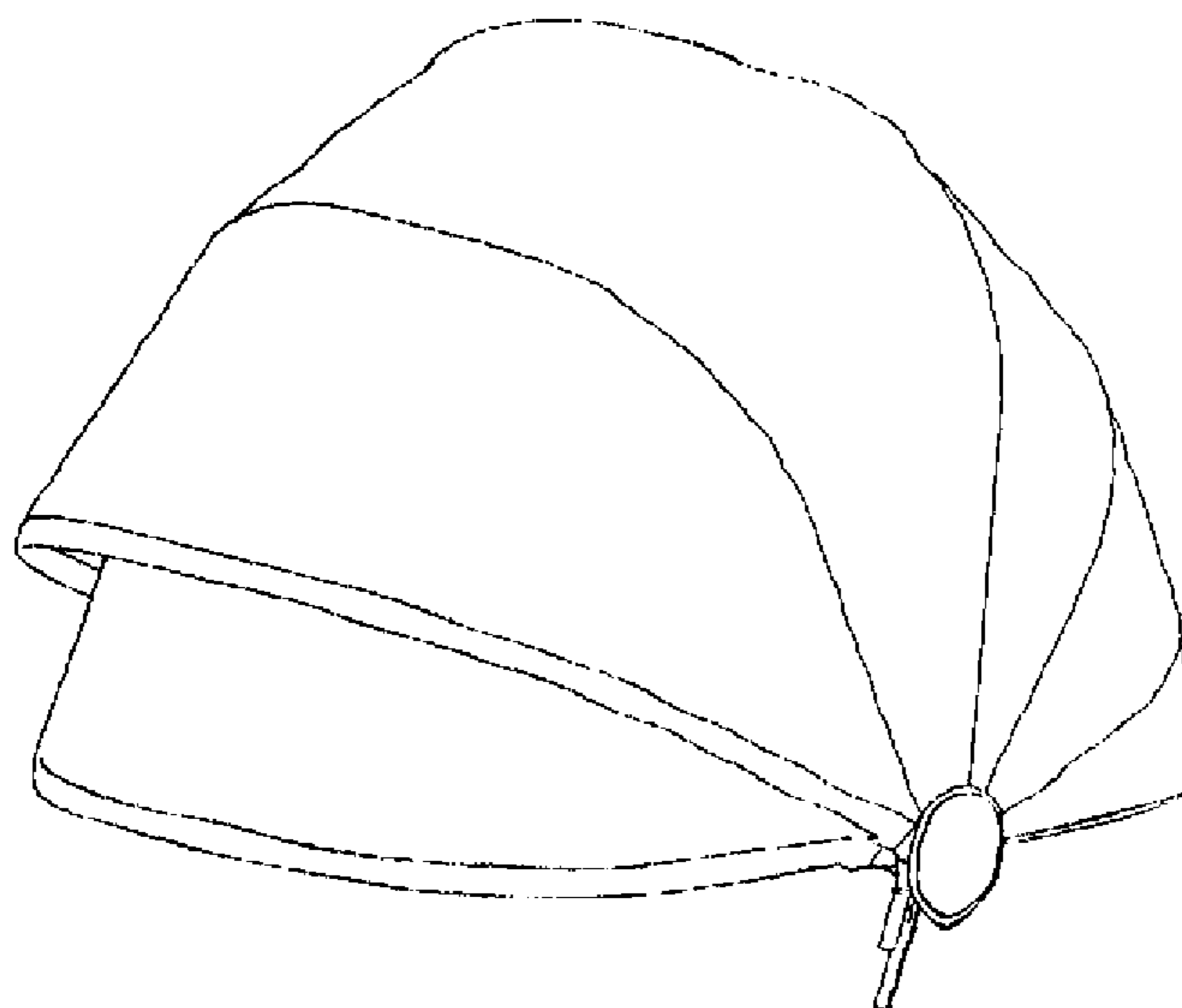


FIG. 1

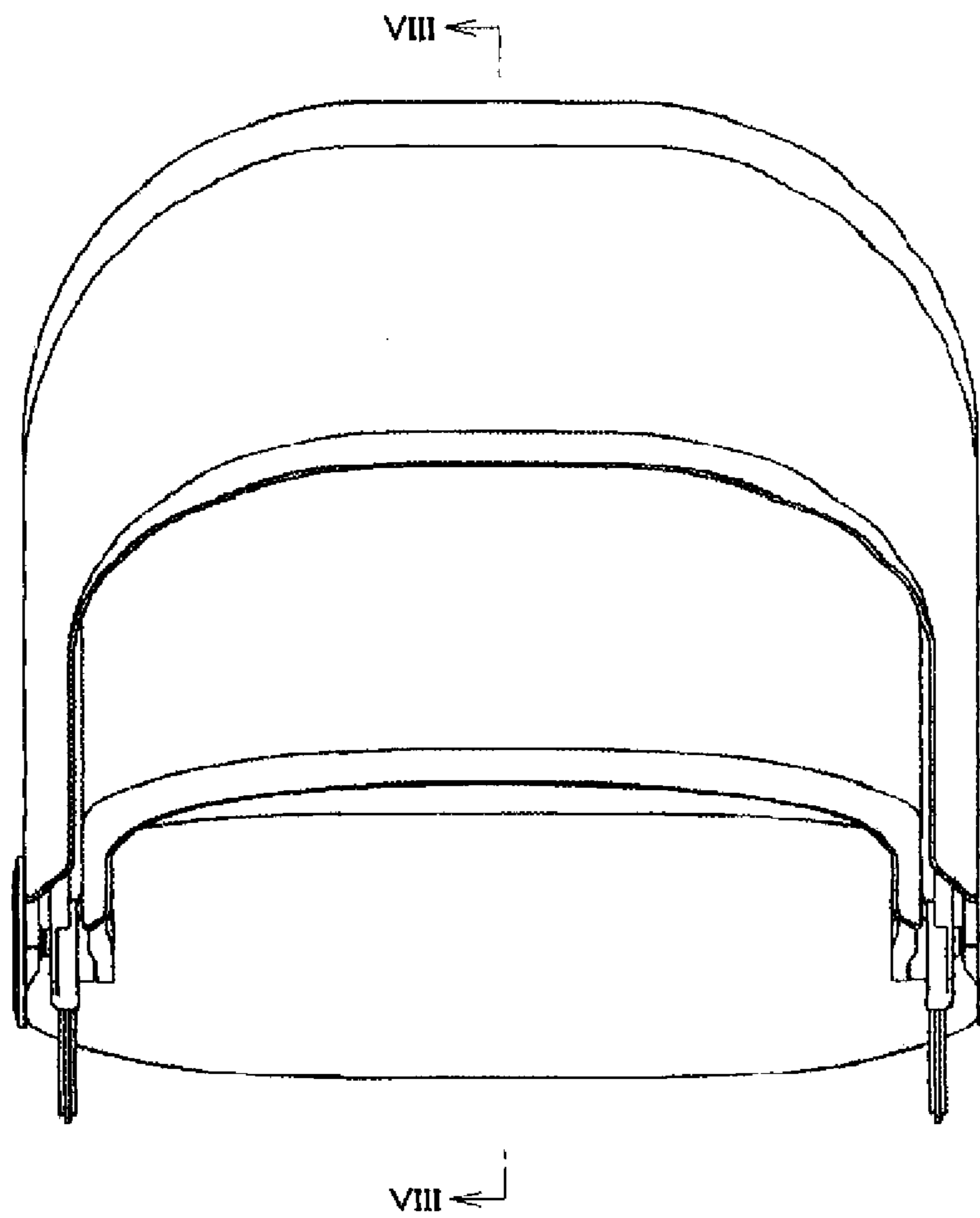


FIG. 2

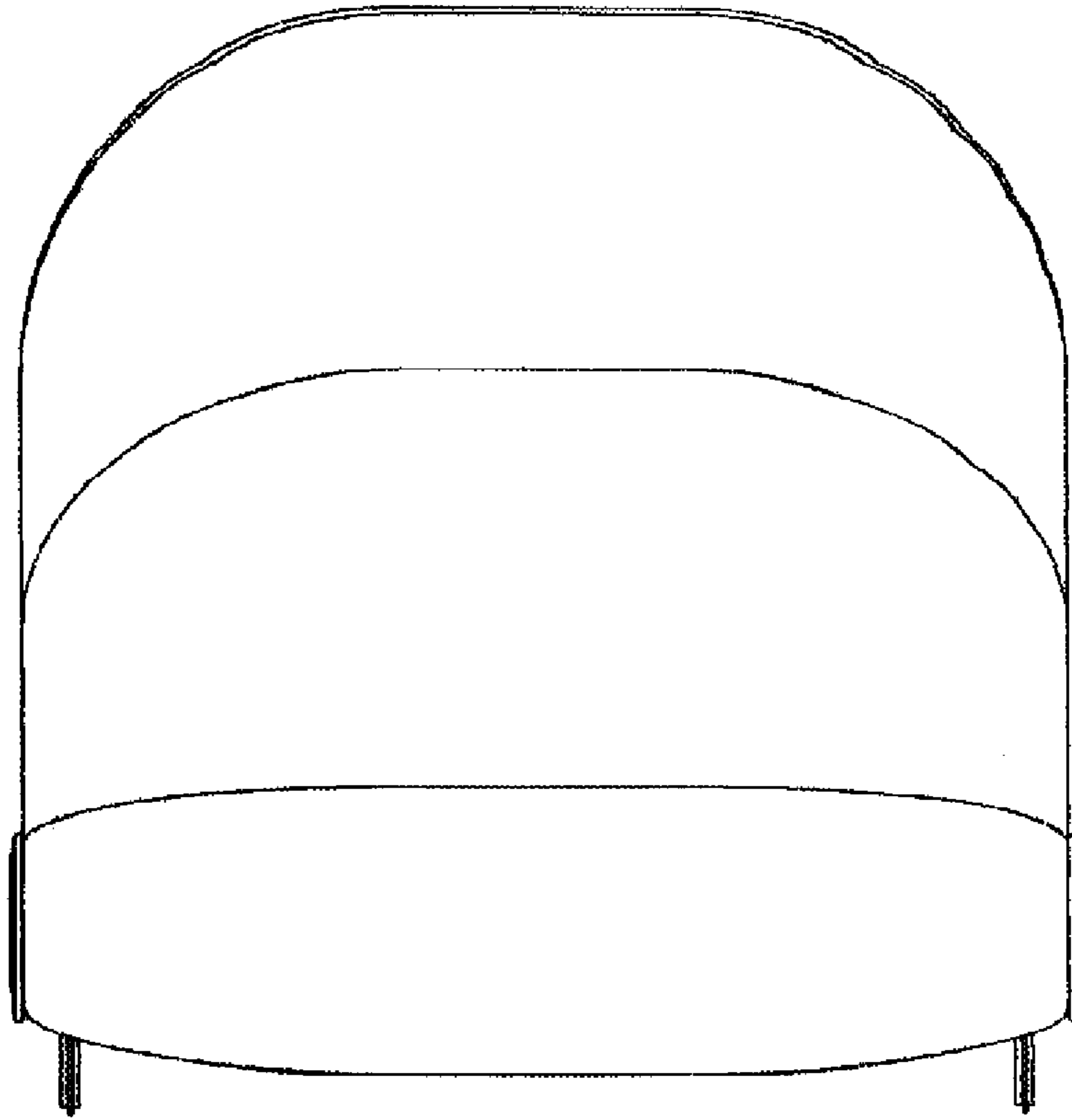


FIG. 3

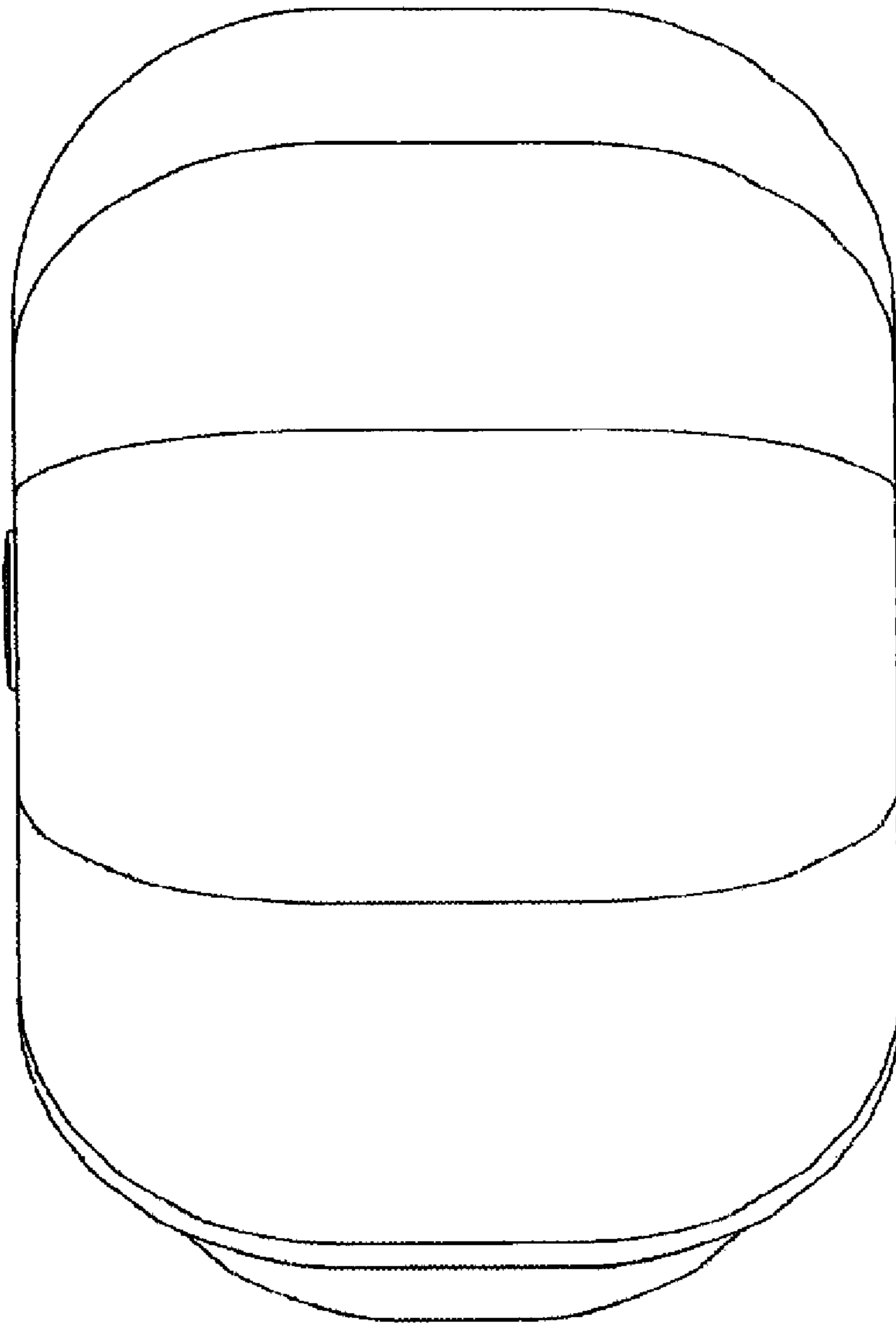


FIG. 4

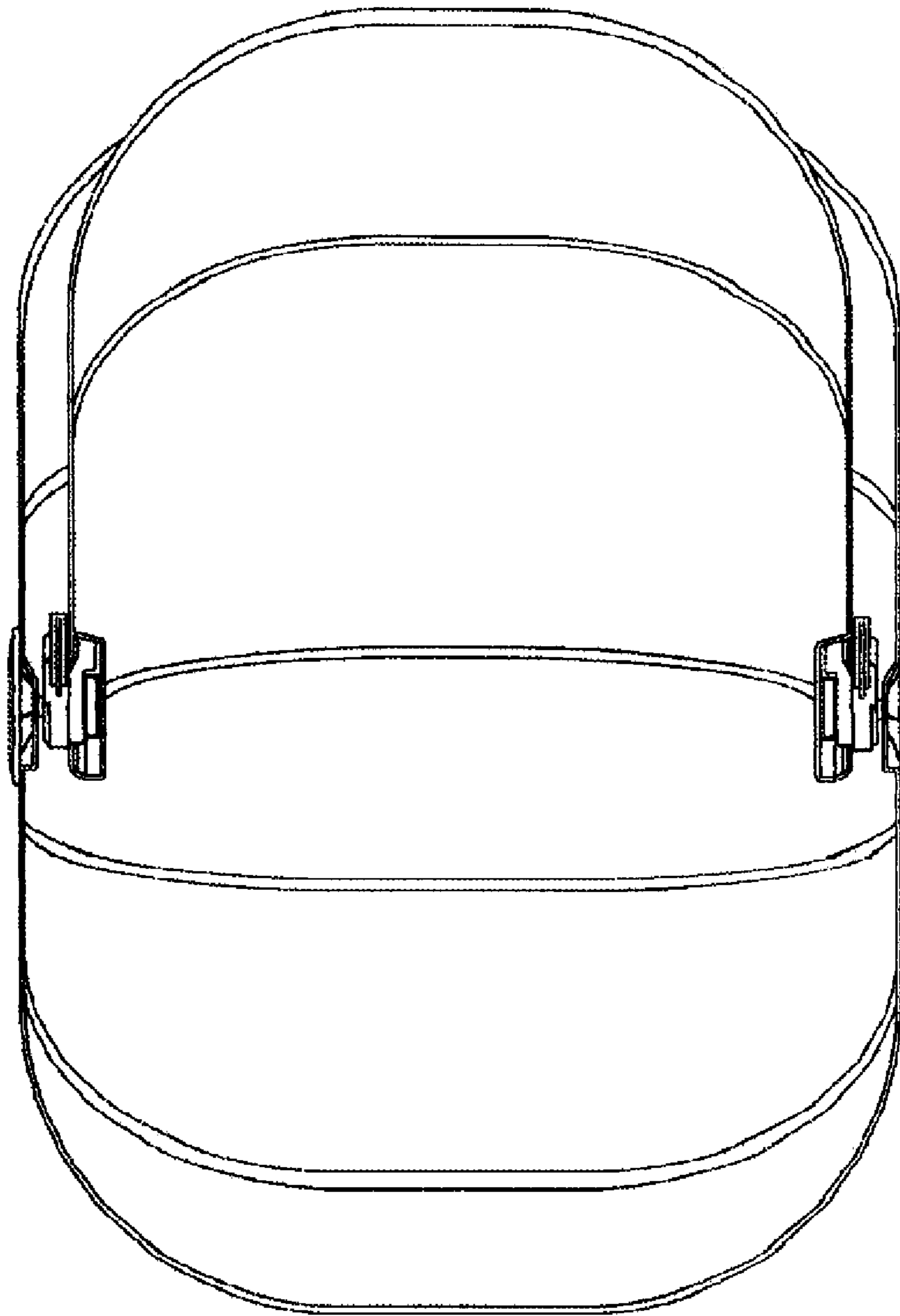




FIG. 5

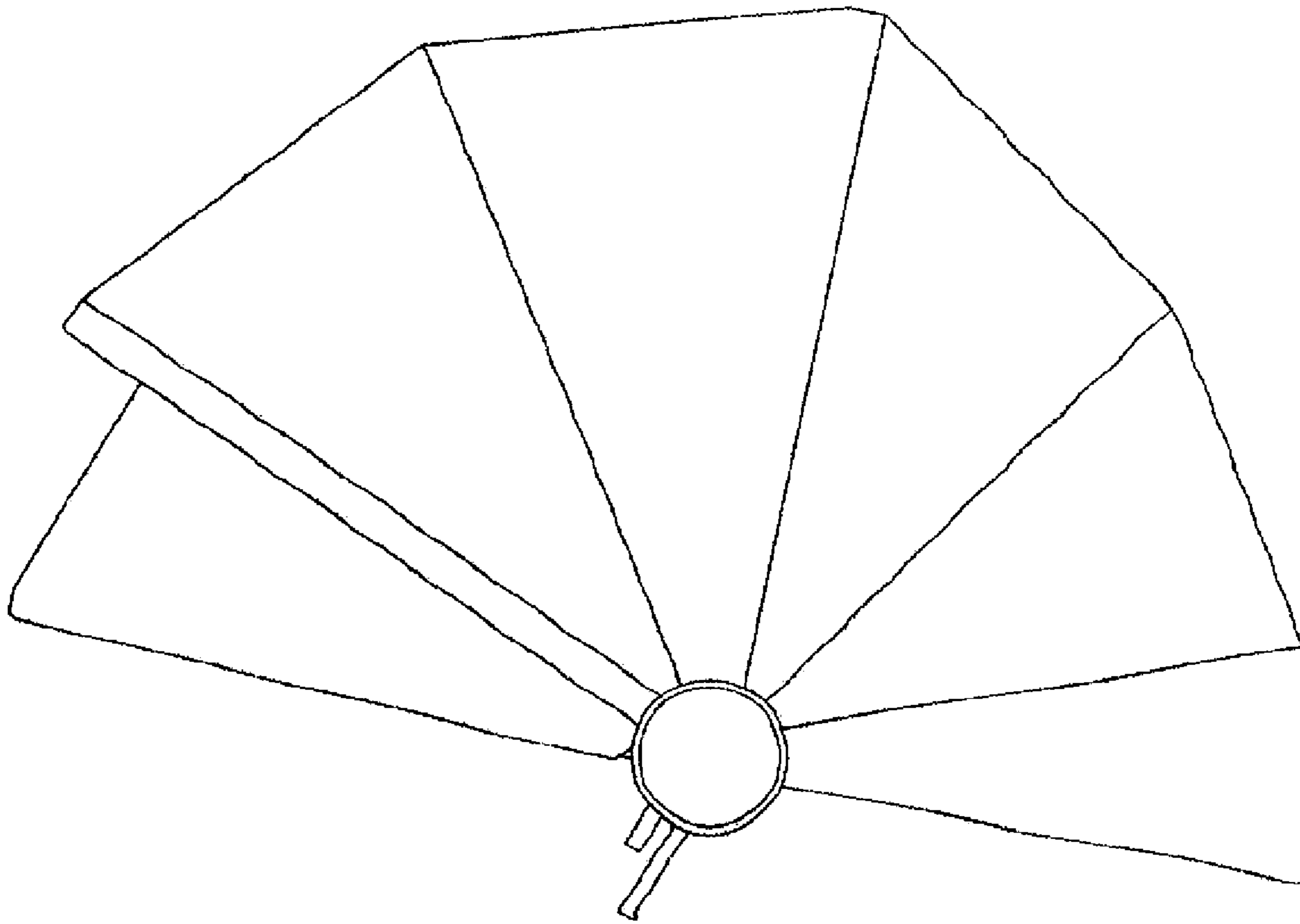


FIG. 6

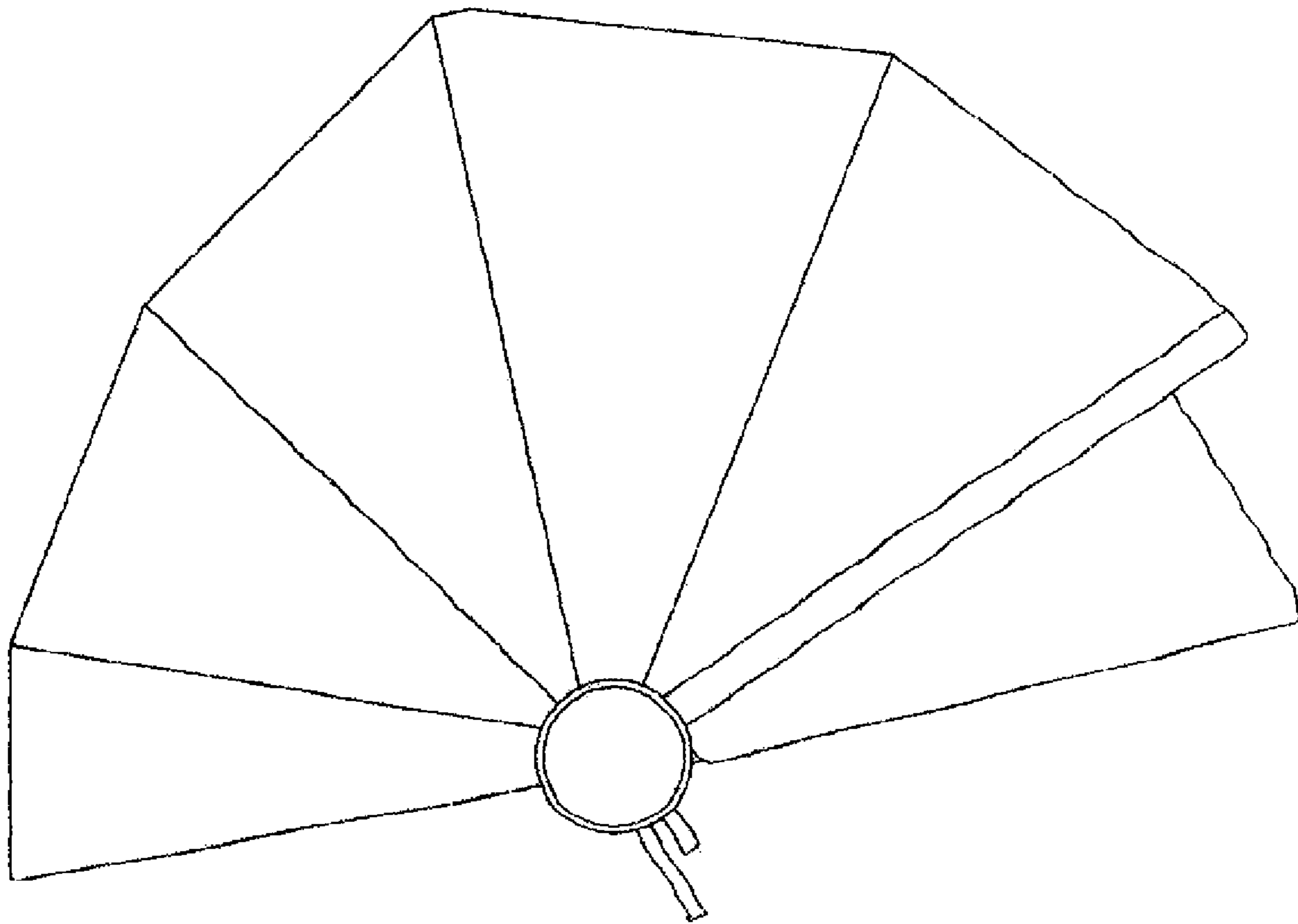


FIG. 7

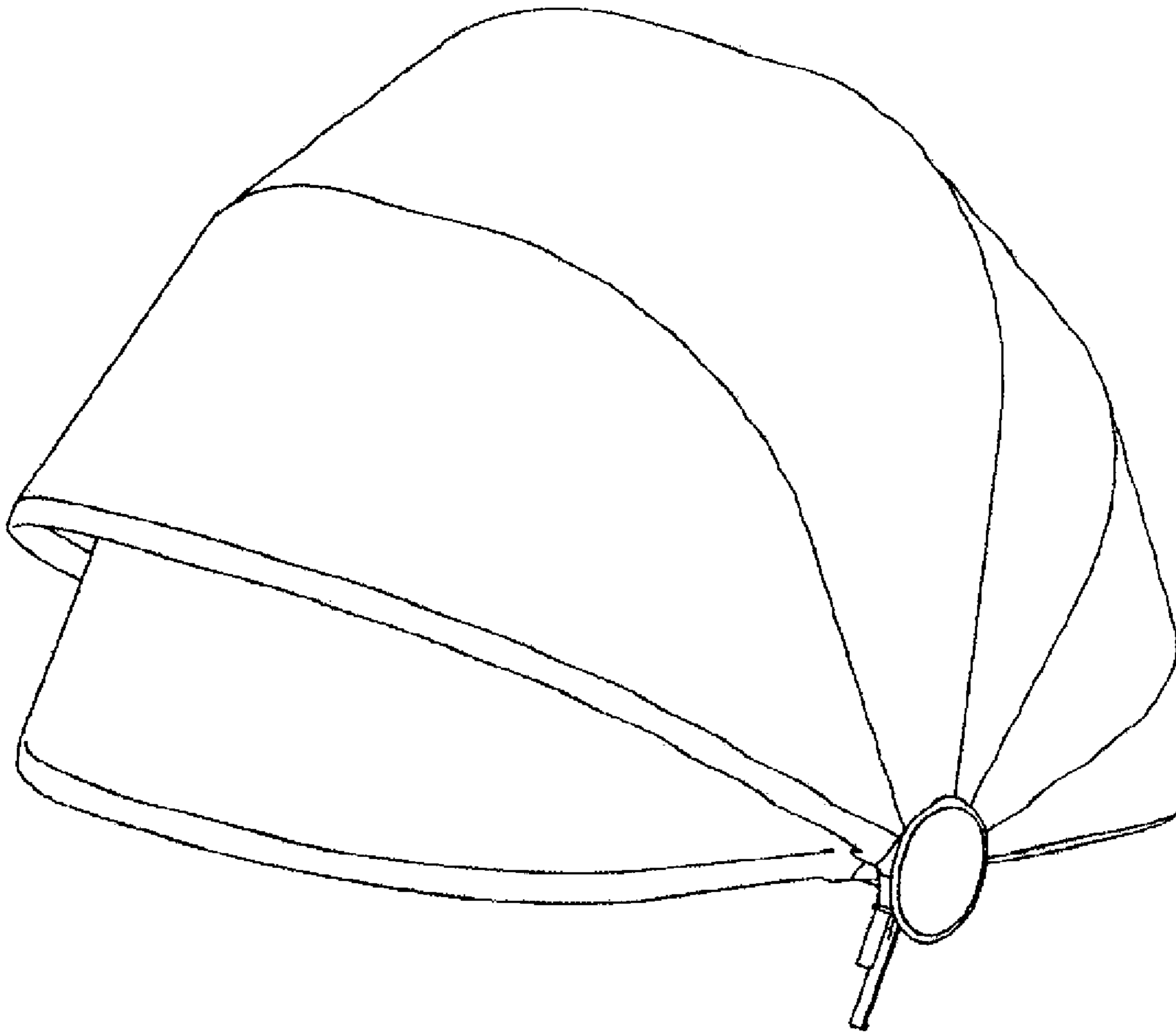


FIG. 8

