



US00D646199S

(12) **United States Design Patent**
Zhang et al.

(10) **Patent No.:** **US D646,199 S**
(45) **Date of Patent:** **** Oct. 4, 2011**

(54) **ELECTRIC VEHICLE**

(75) Inventors: **Xueqing Zhang**, Suzhou (CN); **Chuan-e Tan**, Suzhou (CN)

(73) Assignee: **Suzhou Eagle Electric Vehicle Manufacturing Co., Ltd.**, Suzhou, Jiangsu Province (CN)

(**) Term: **14 Years**

(21) Appl. No.: **29/367,775**

(22) Filed: **Aug. 12, 2010**

(30) **Foreign Application Priority Data**

Apr. 7, 2010 (CN) 2010 3 0159957

(51) **LOC (9) Cl.** **12-02**

(52) **U.S. Cl.** **D12/16**

(58) **Field of Classification Search** D12/87,
D12/86, 1, 433, 15, 16, 107, 82, 88, 89, 90,
D12/91, 92, 93; D15/30; D21/803; 180/233,
180/908; 280/DIG. 5, 183, 184, 185, 186,
280/28, 37.7

See application file for complete search history.

(56) **References Cited**

U.S. PATENT DOCUMENTS

D541,699 S * 5/2007 Andrews et D12/16
D571,689 S * 6/2008 Andrews et al. D12/16
D588,957 S * 3/2009 Tuo D12/16

D589,397 S * 3/2009 Tuo D12/16
D603,754 S * 11/2009 Tuo D12/16
D617,681 S * 6/2010 Tuo D12/16
D618,137 S * 6/2010 Yuan D12/16
D624,849 S * 10/2010 Ball et al. D12/16
D625,660 S * 10/2010 Houston et al. D12/16
D630,129 S * 1/2011 Hanson et al. D12/16

* cited by examiner

Primary Examiner — T. Chase Nelson

Assistant Examiner — Ania Dworzecka

(74) *Attorney, Agent, or Firm* — Cheng-Ju Chiang

(57) **CLAIM**

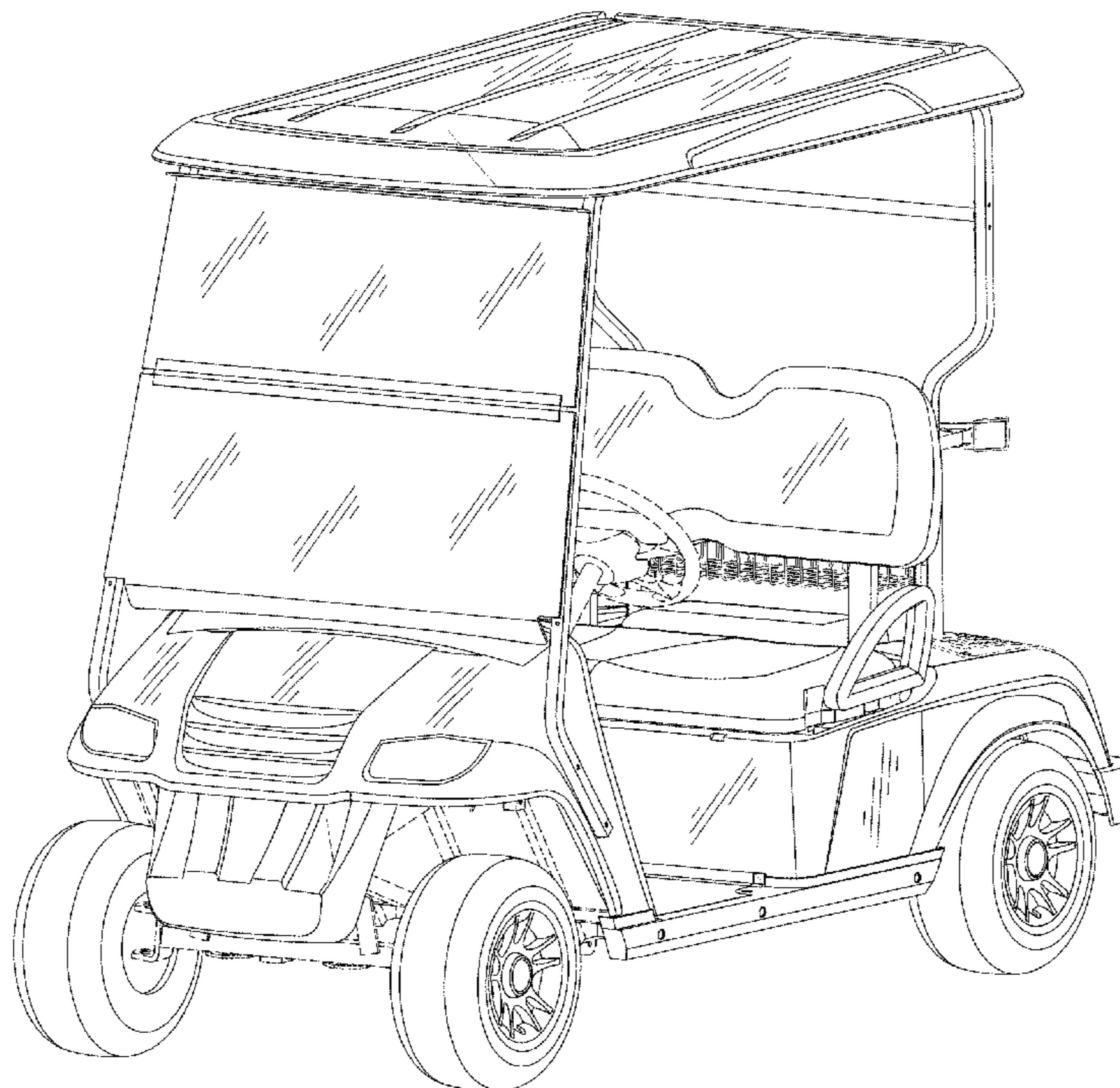
The ornamental design for an electric vehicle, as shown and described.

DESCRIPTION

FIG. 1 is a top, front and right side perspective view of an electric vehicle showing our new design; FIG. 2 is a front elevation view thereof; FIG. 3 is a rear elevation view thereof; FIG. 4 is a left side elevation view thereof; FIG. 5 is a right side elevation view thereof; FIG. 6 is a top plan view thereof; and, FIG. 7 is a top, rear and left side perspective view of the electric vehicle.

The bottom has no claimed ornamental features. The broken lines showing of elements in the figures are for the purpose of illustrating environment and form no part of the claimed design.

1 Claim, 7 Drawing Sheets



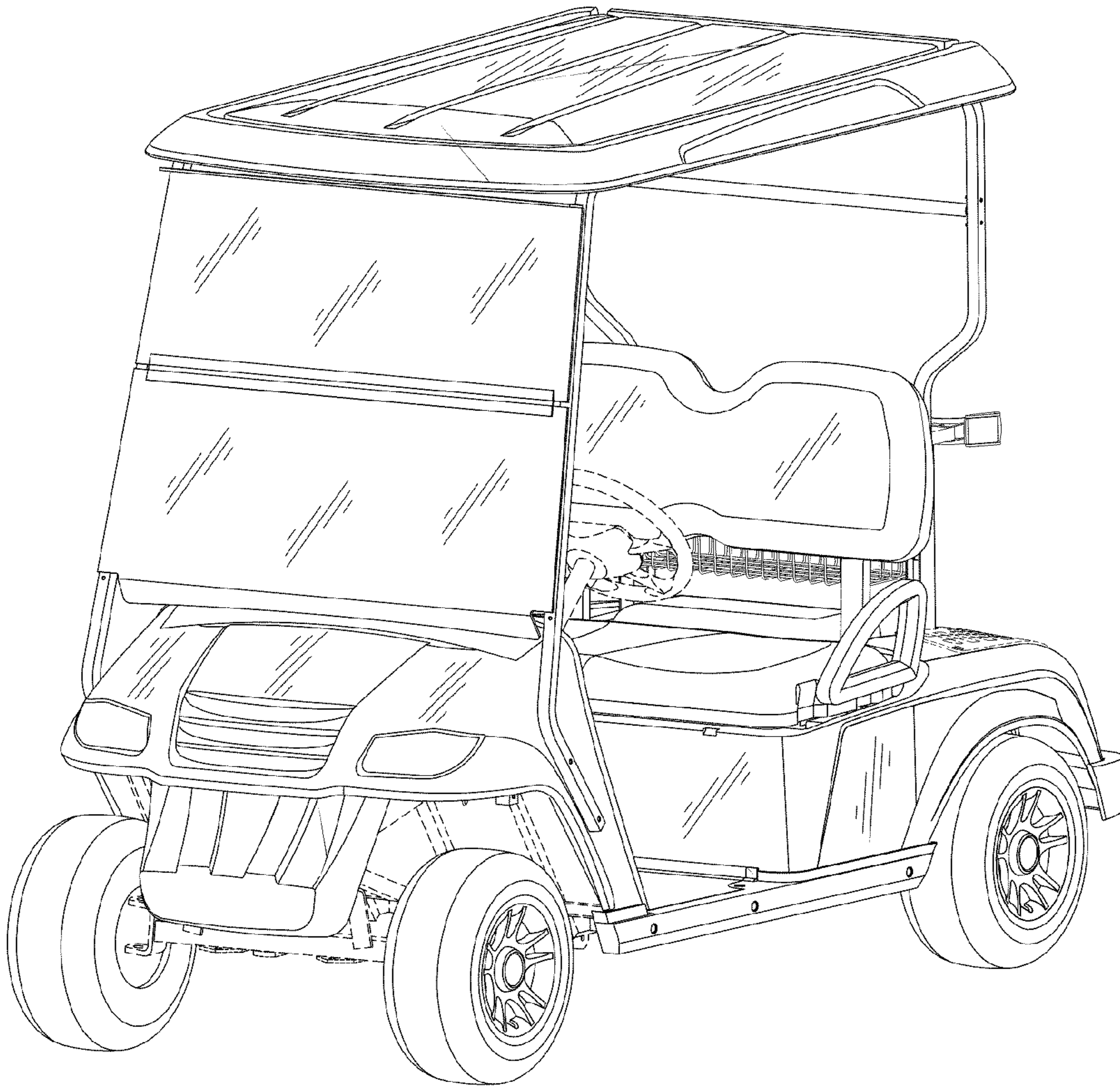


FIG. 1

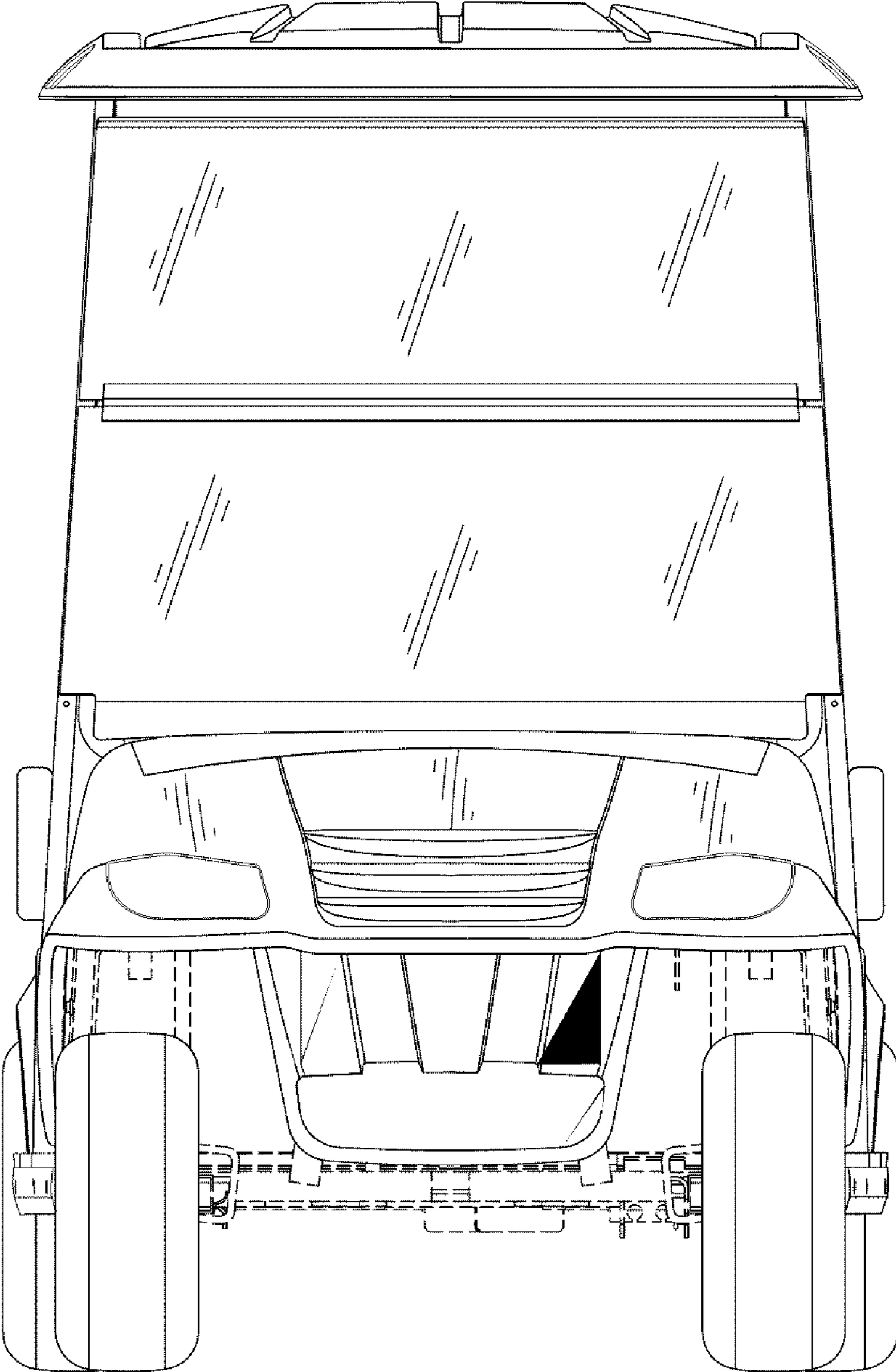


FIG. 2

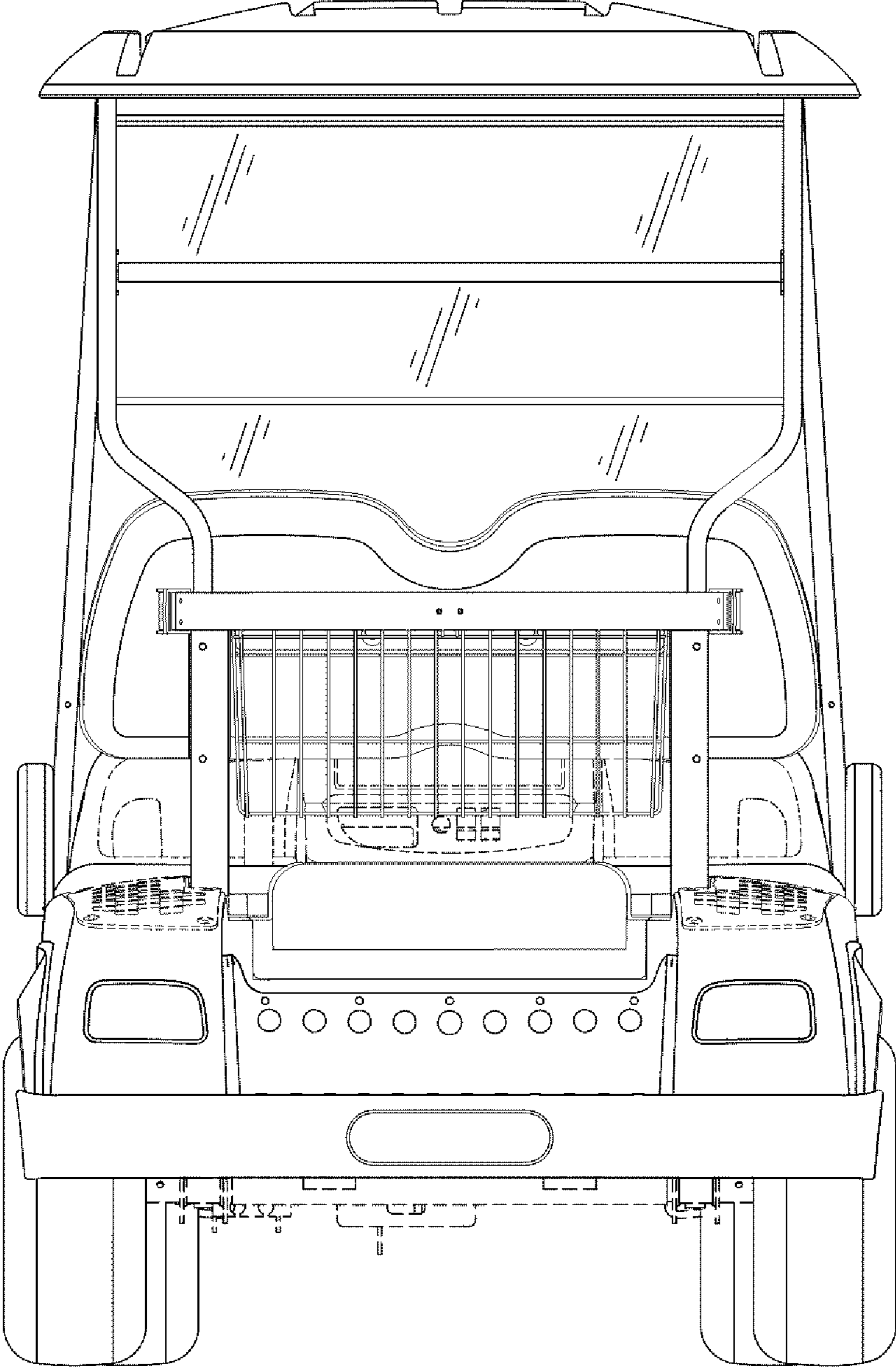


FIG. 3

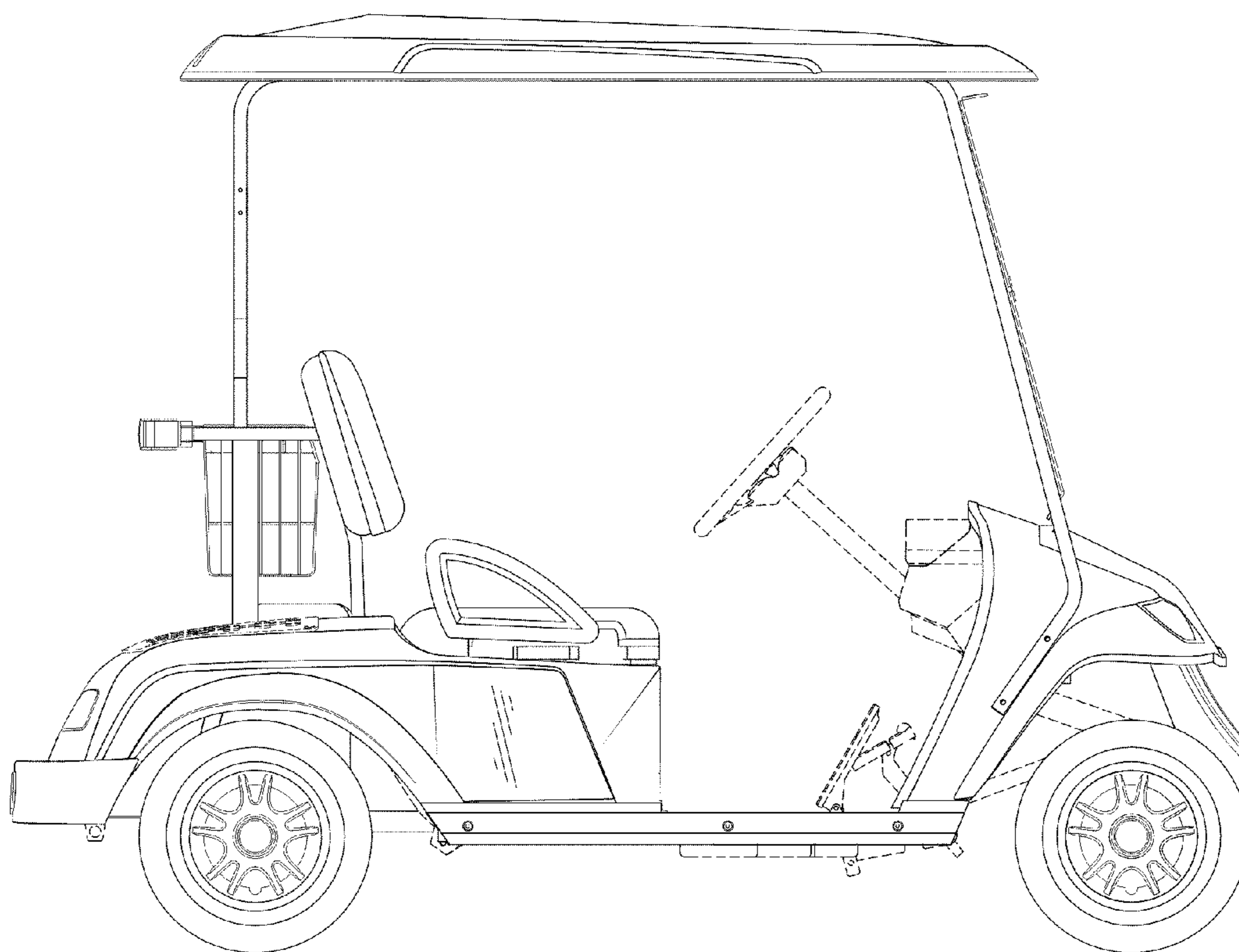


FIG. 4

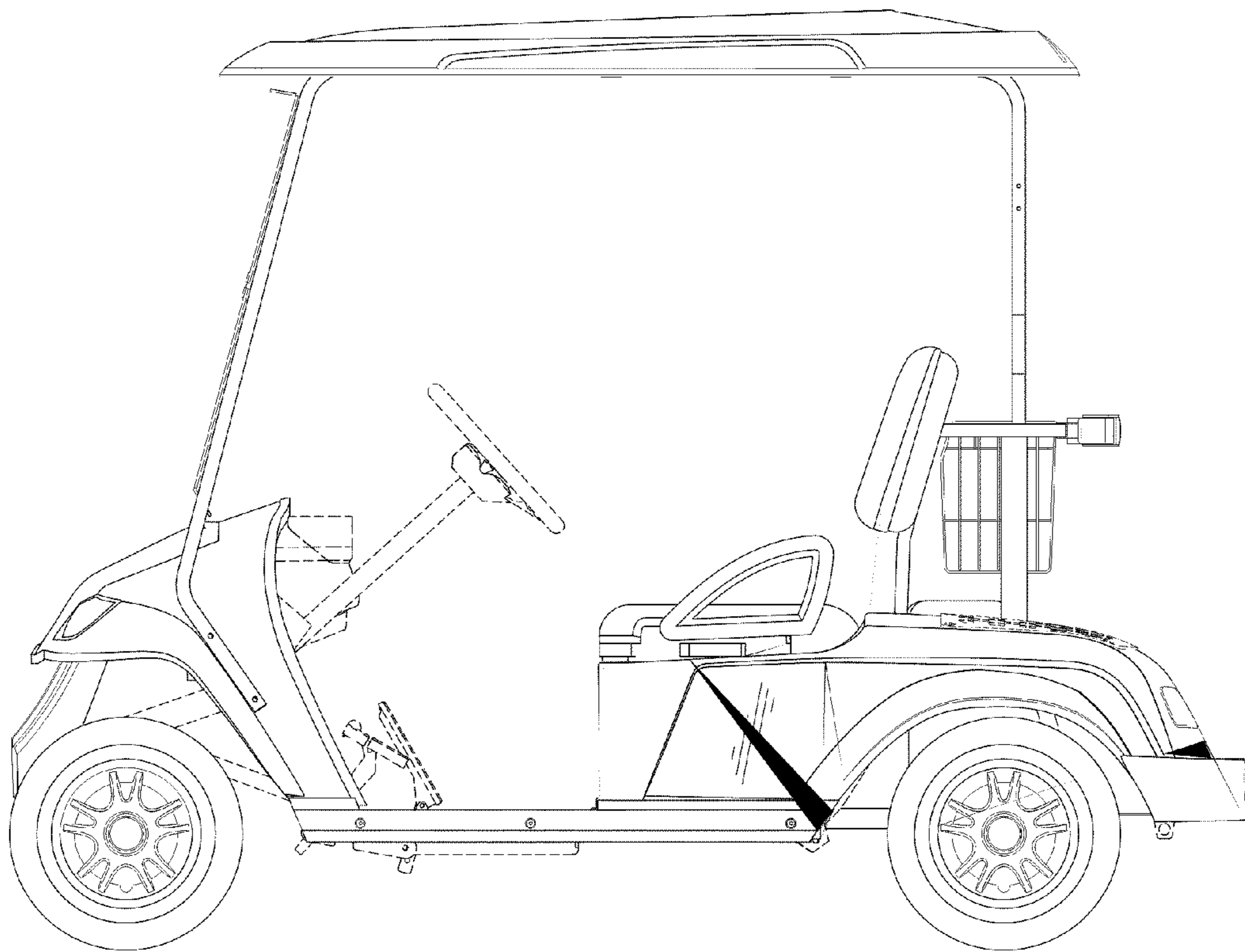


FIG. 5

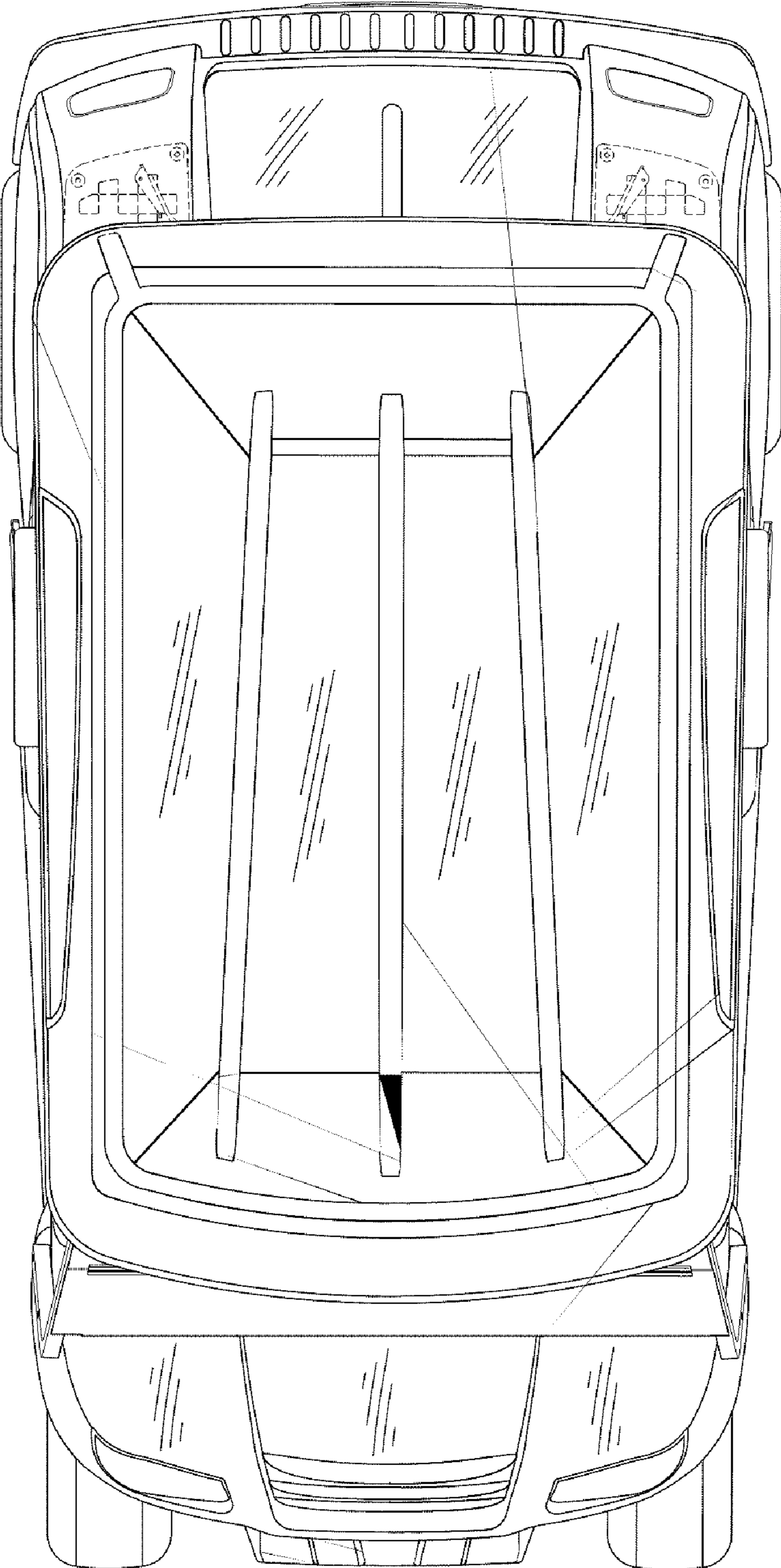


FIG. 6

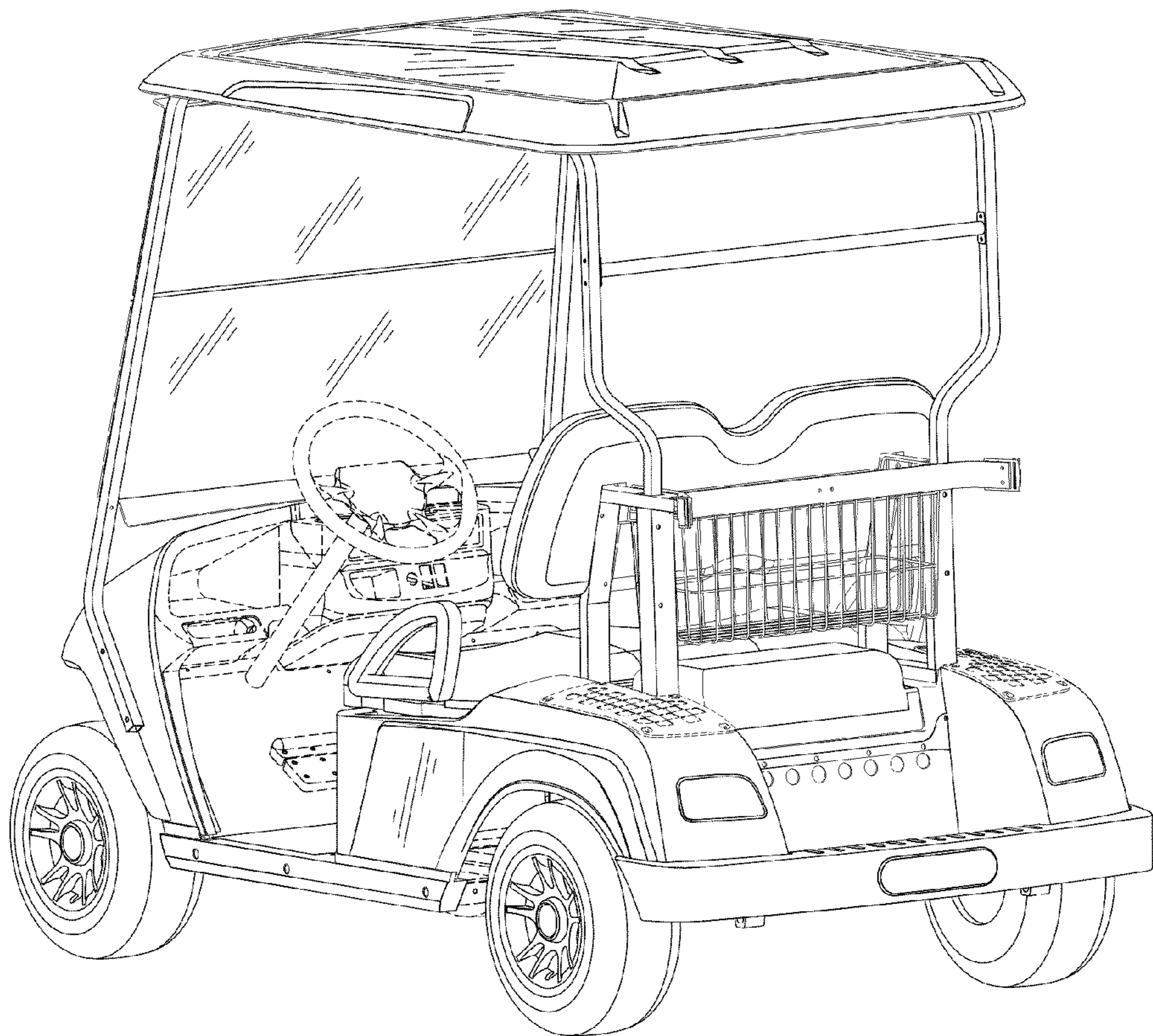


FIG. 7