



US00D646198S

(12) **United States Design Patent**
Desberg

(10) **Patent No.:** **US D646,198 S**

(45) **Date of Patent:** **** Oct. 4, 2011**

(54) **HOVERCRAFT**

(75) Inventor: **Ian Desberg**, Emeryville, CA (US)

(73) Assignee: **MerchSource, LLC**, Foothill Ranch, CA (US)

(**) Term: **14 Years**

(21) Appl. No.: **29/378,862**

(22) Filed: **Nov. 10, 2010**

(51) **LOC (9) Cl.** **12-14**

(52) **U.S. Cl.** **D12/5; D12/305**

(58) **Field of Classification Search** D21/533,
D21/542-544; D12/3-6, 300-305, 317;
446/160, 163-165, 454; 440/37; 180/121-129;
114/67 A, 67 R

See application file for complete search history.

(56) **References Cited**

U.S. PATENT DOCUMENTS

D219,077 S *	10/1970	Voyce	D12/5
D245,492 S *	8/1977	Clare	D12/5
D287,234 S *	12/1986	Chia	D12/5
4,821,829 A *	4/1989	Gilbert et al.	180/127
D313,584 S *	1/1991	Linebaugh	D12/305
D323,473 S *	1/1992	Chia et al.	D12/5
5,082,465 A *	1/1992	Wine	440/37
D329,476 S *	9/1992	Strickland et al.	D21/542
D329,886 S *	9/1992	Fujitani	D21/542
D341,106 S *	11/1993	Goodwin	D12/5
5,357,894 A *	10/1994	Jacobson	D12/300
D427,562 S *	7/2000	Phelan	D12/305
D450,626 S *	11/2001	Preest	D12/5
D451,560 S *	12/2001	Tilbor et al.	D21/542
7,101,235 B2 *	9/2006	Baldwin	440/37

D544,927 S *	6/2007	Sanger, II	D21/542
7,364,484 B2 *	4/2008	Sanger, II	440/37
D591,364 S *	4/2009	Nagaoka	D21/542

* cited by examiner

Primary Examiner — Cynthia M Chin

(74) *Attorney, Agent, or Firm* — The Eclipse Group LLP

(57) **CLAIM**

I claim the ornamental design for a hovercraft, as shown and described.

DESCRIPTION

FIG. 1 is a front perspective view of a hovercraft.
 FIG. 2 is a bottom perspective view of the hovercraft illustrated in FIG. 1.
 FIG. 3 is a top plan view of the hovercraft illustrated in FIG. 1.
 FIG. 4 is a bottom plan view of the hovercraft illustrated in FIG. 1.
 FIG. 5 is a left elevation view of the hovercraft illustrated in FIG. 1.
 FIG. 6 is a right elevation view of the hovercraft illustrated in FIG. 1.
 FIG. 7 is a front elevation view of the hovercraft illustrated in FIG. 1; and,
 FIG. 8 is a rear elevation view of the hovercraft illustrated in FIG. 1.
 The dashed lines shown in various figures are included for the purpose of illustrating the unclaimed portions of the article and form no part of the claimed design.

1 Claim, 4 Drawing Sheets

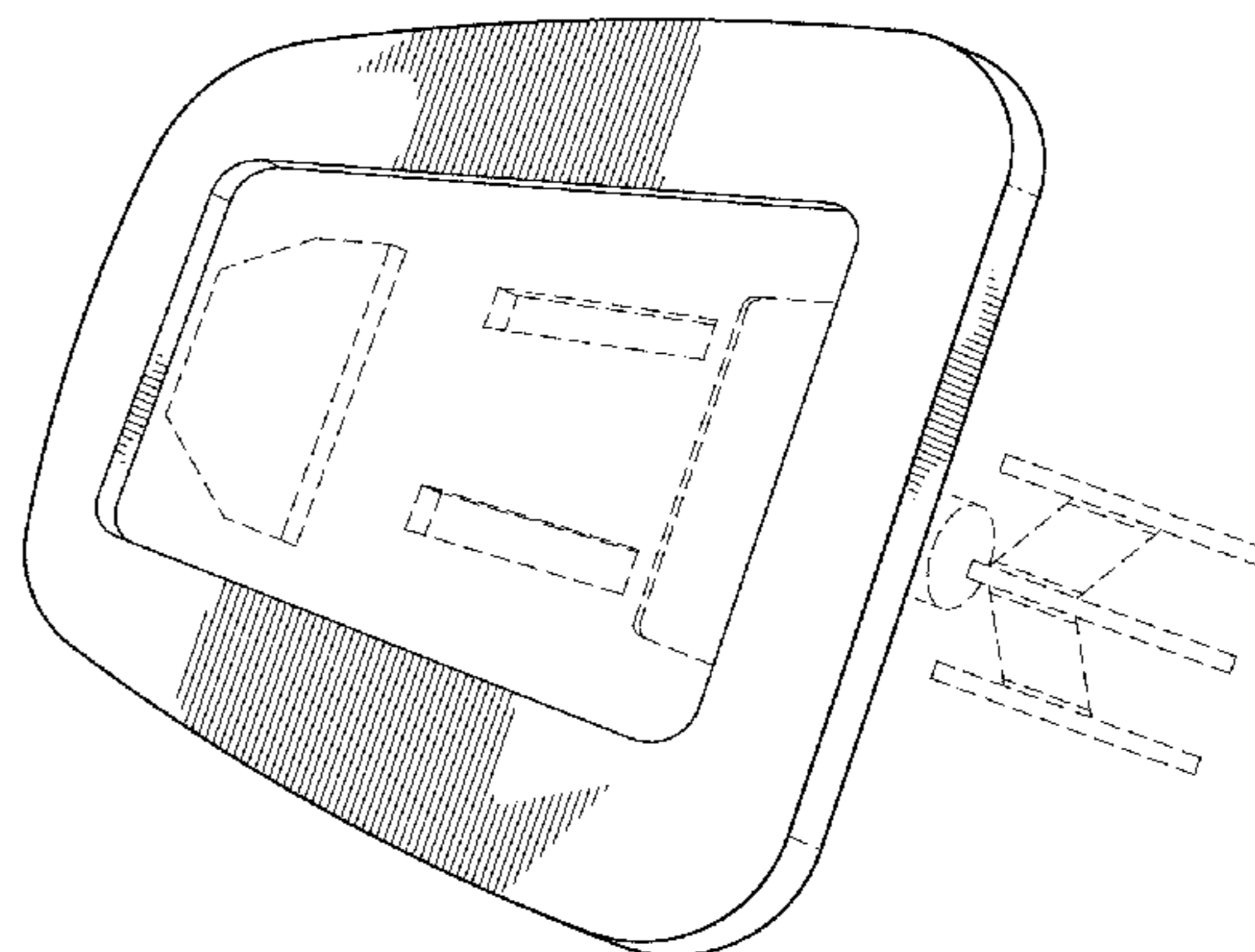
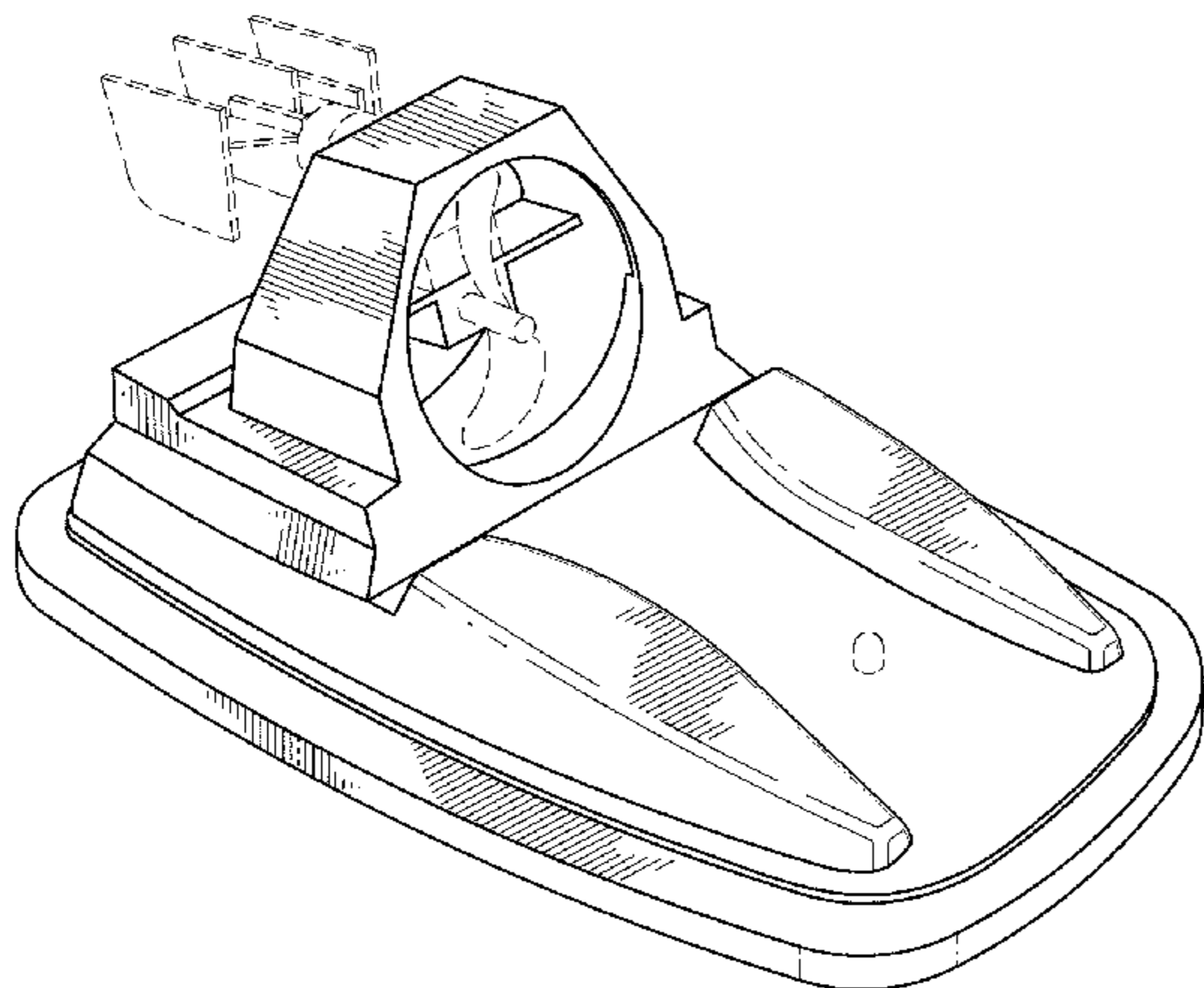


FIG. 1

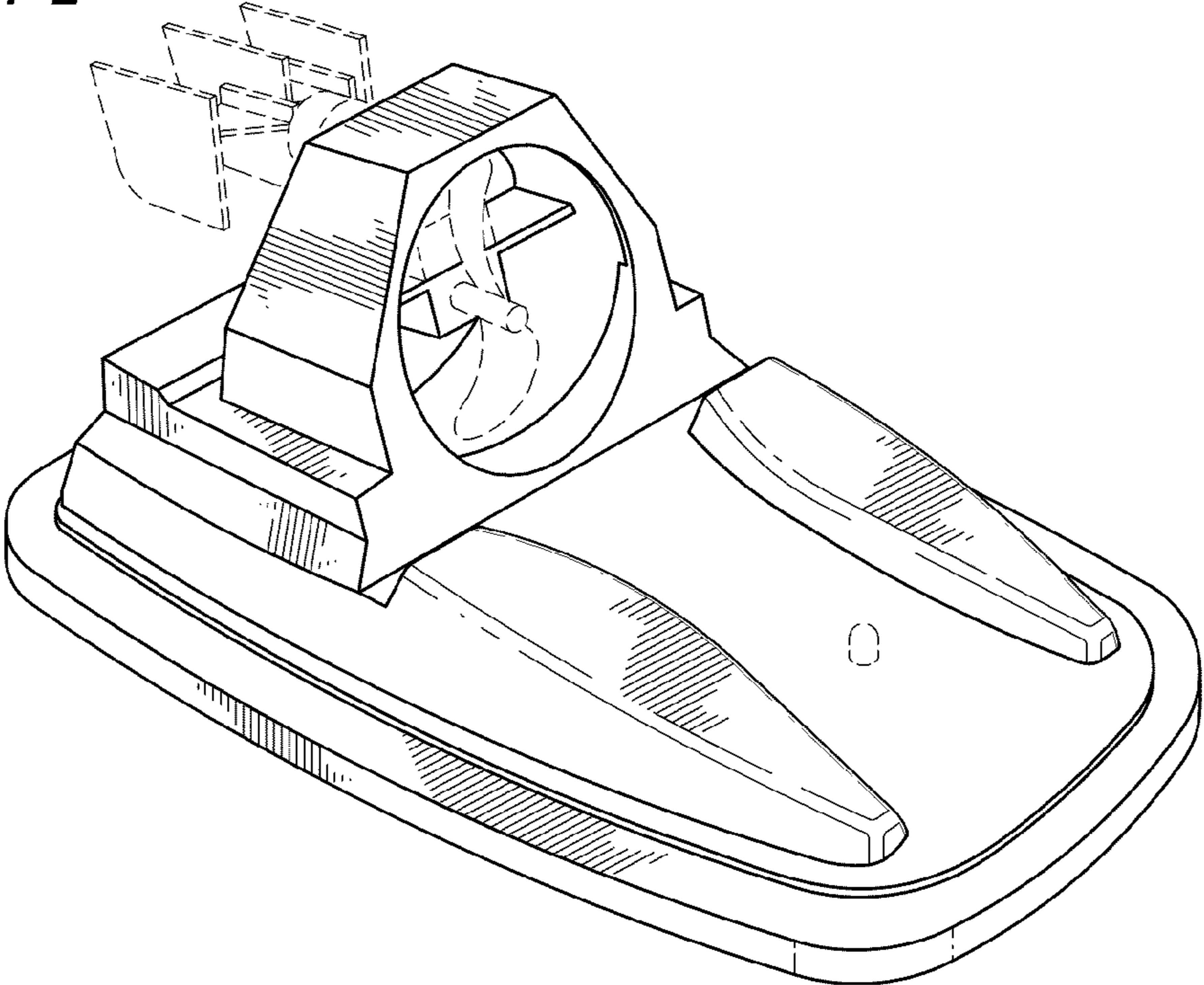


FIG. 2

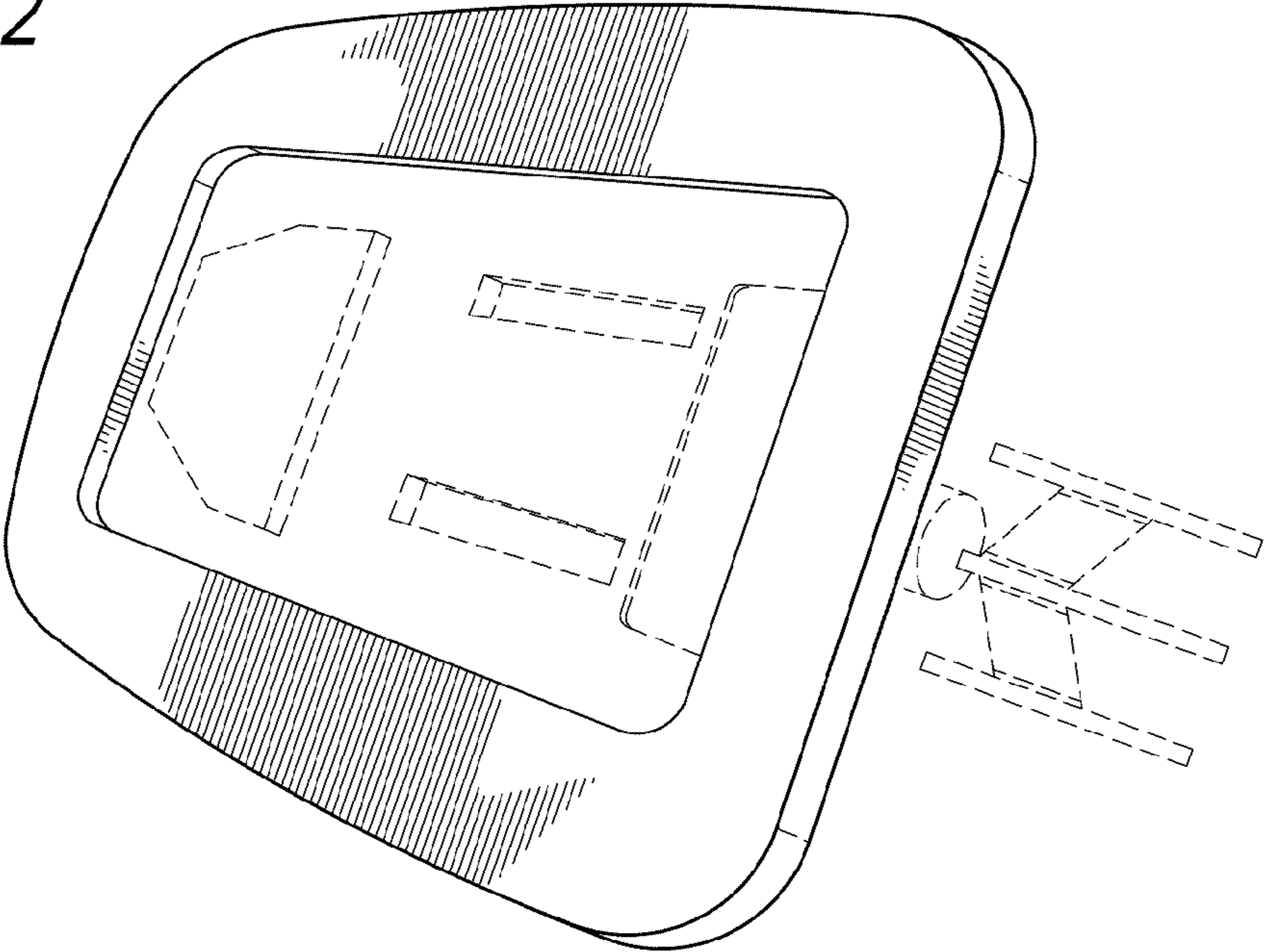


FIG. 3

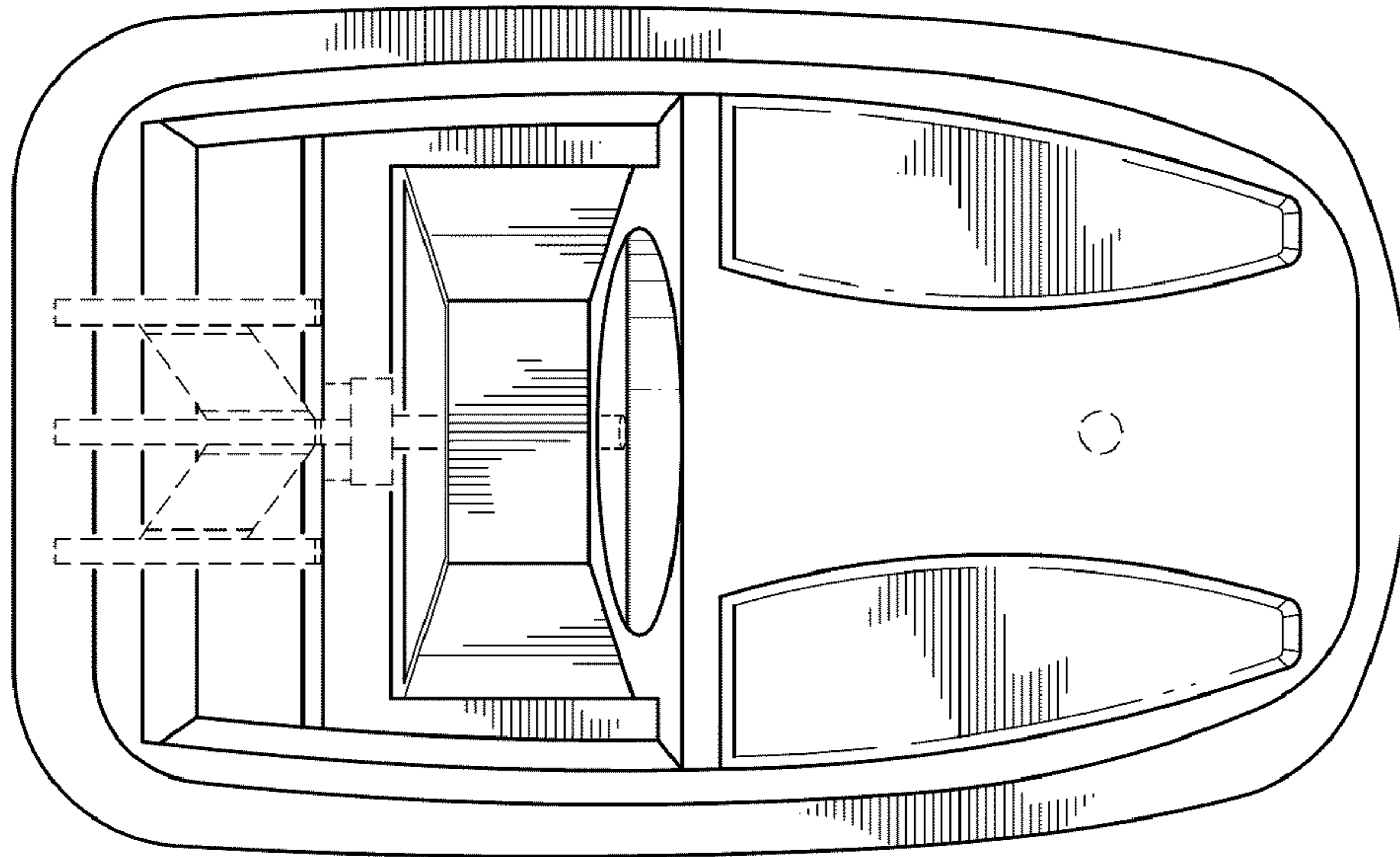


FIG. 4

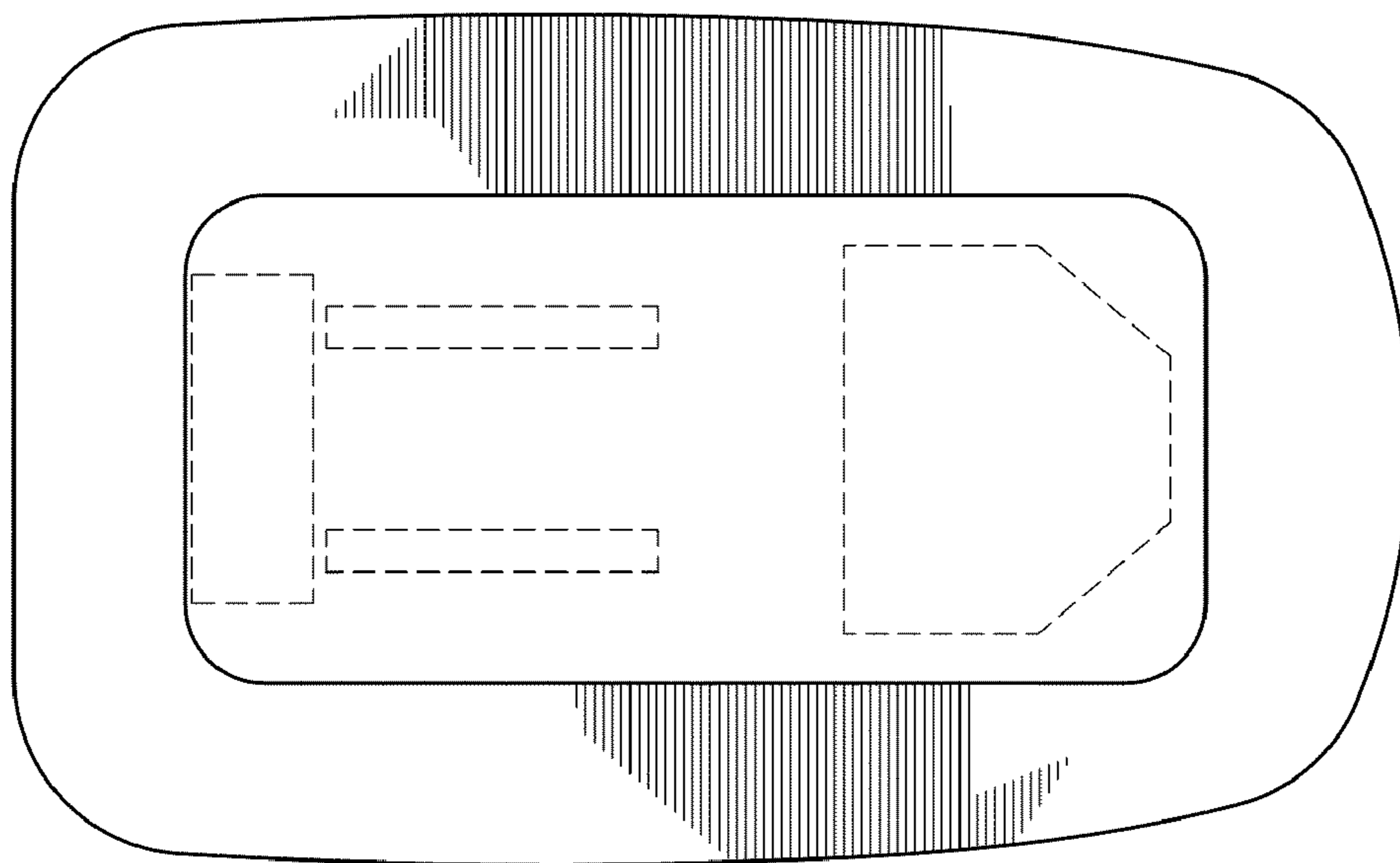


FIG. 5

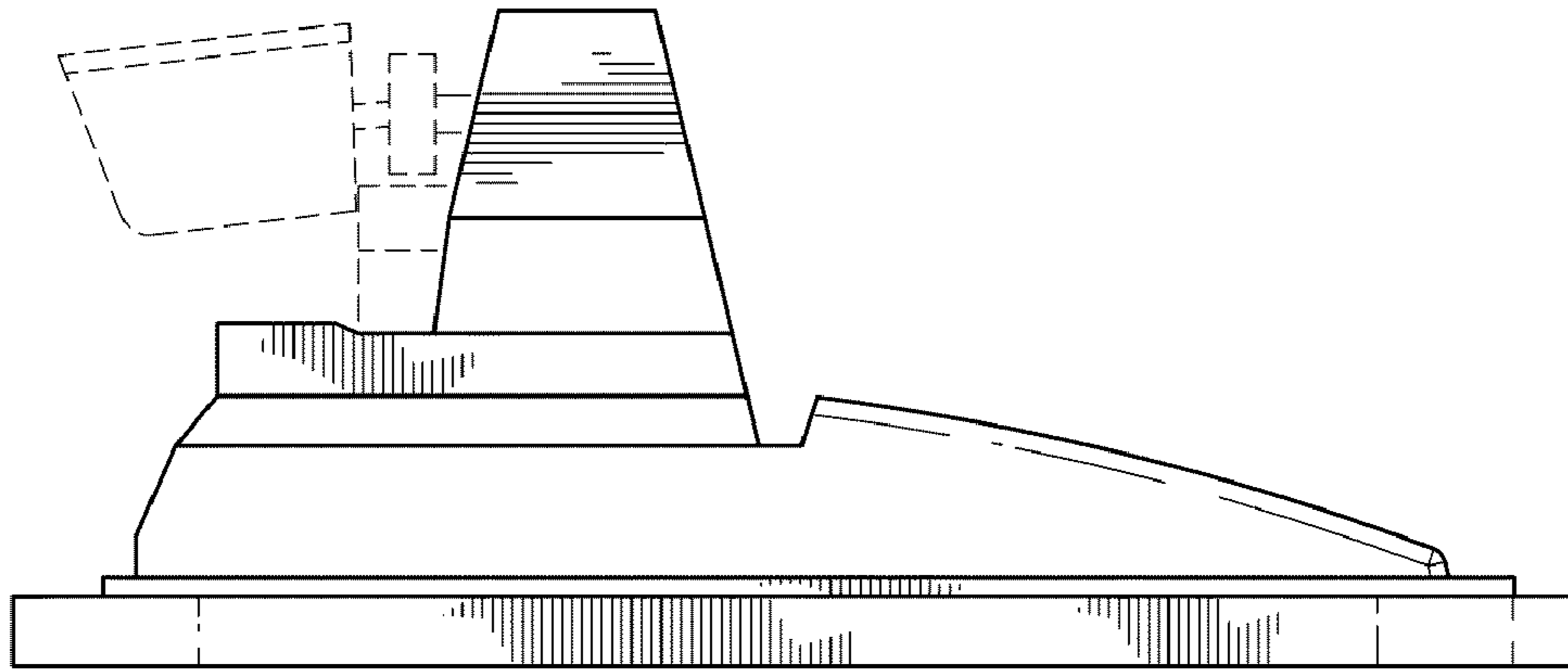


FIG. 6

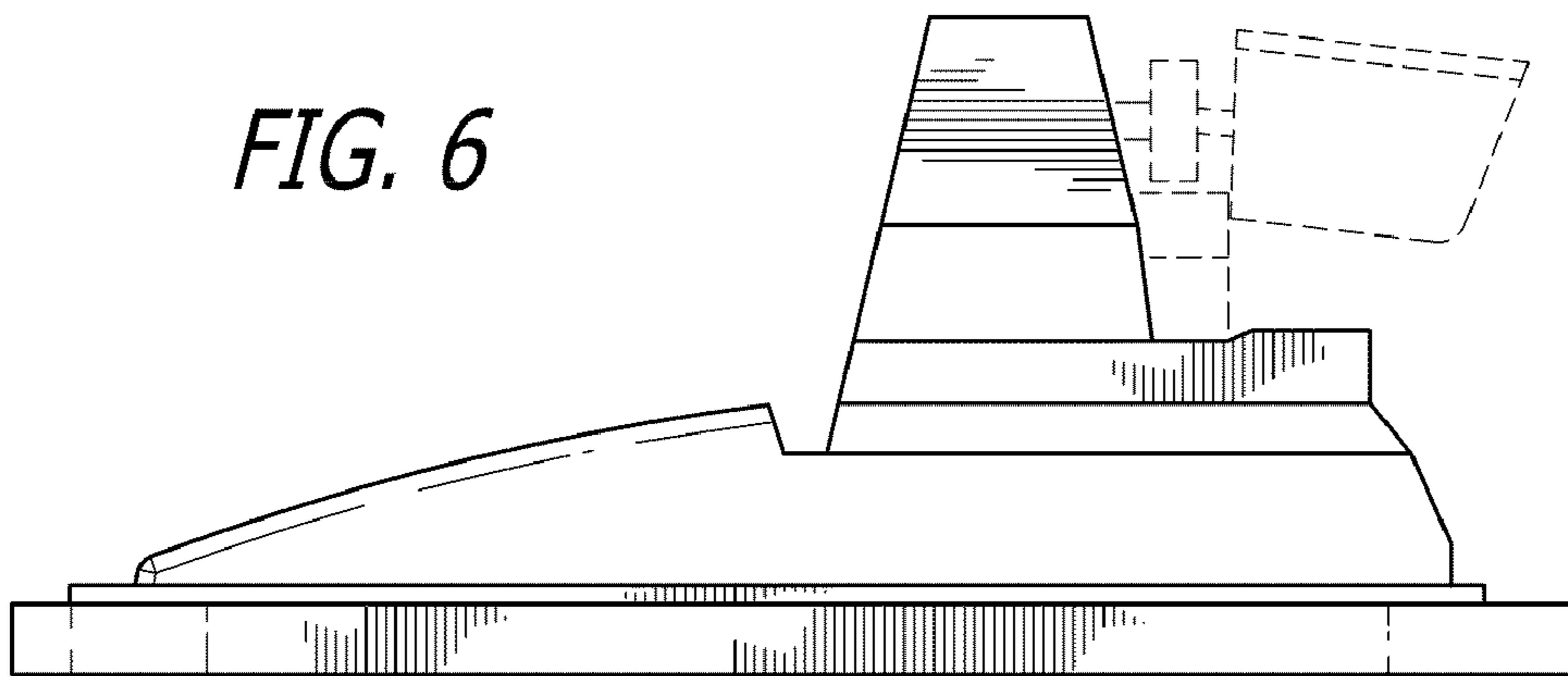


FIG. 7

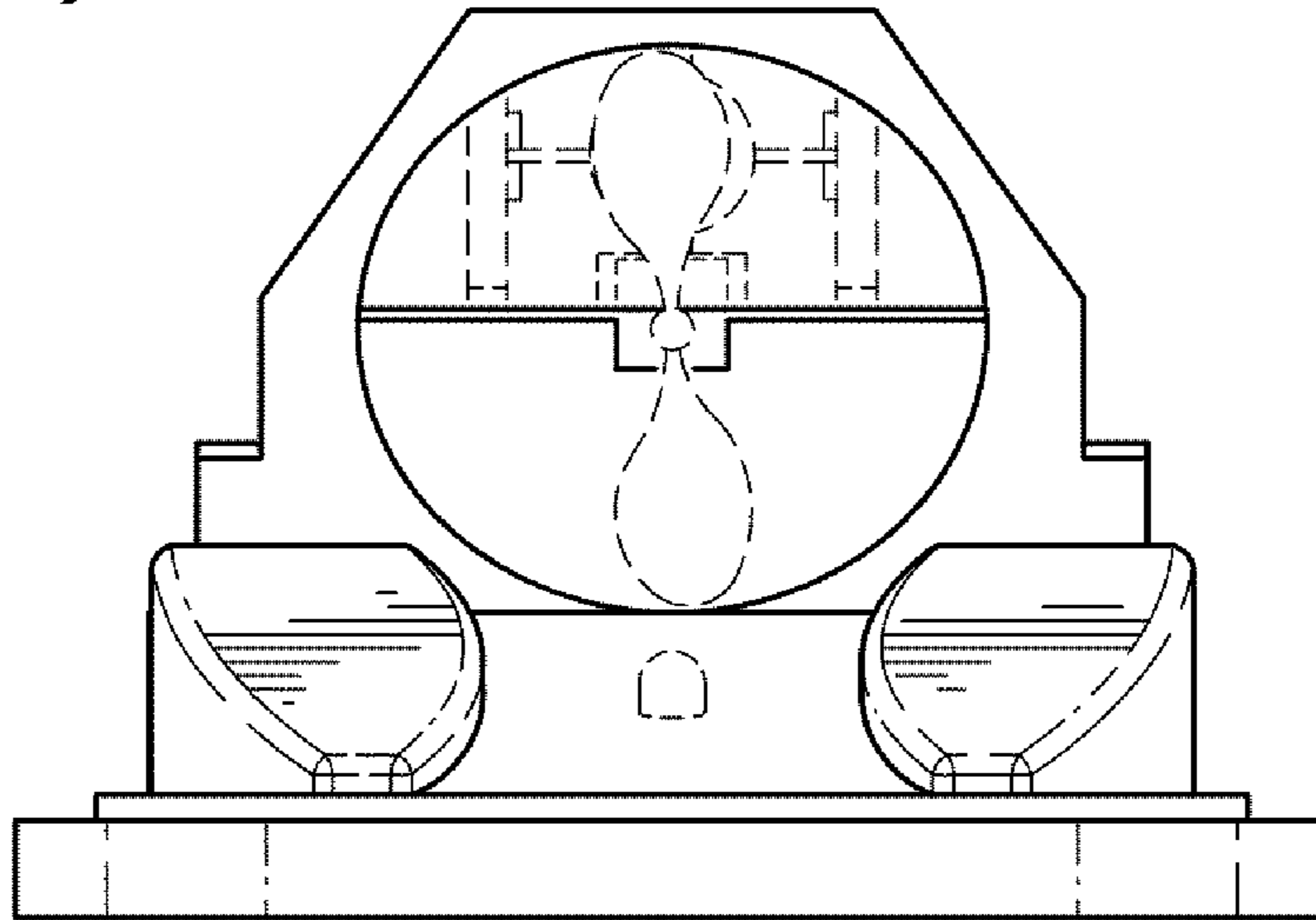


FIG. 8

