



US00D646197S

(12) **United States Design Patent**
Kondo et al.

(10) **Patent No.:** **US D646,197 S**

(45) **Date of Patent:** **** Oct. 4, 2011**

(54) **CHAIN FOR FASTENER**

FOREIGN PATENT DOCUMENTS

(75) Inventors: **Yuji Kondo**, Toyama-ken (JP); **Miyuki Kirita**, Toyama-ken (JP); **Mariko Miyai**, Toyama-ken (JP); **Aya Shigematsu**, Toyama-ken (JP)

GB 189606998 A 11/1896

* cited by examiner

(73) Assignee: **YKK Corporation** (JP)

Primary Examiner — Ralf Seifert

(74) *Attorney, Agent, or Firm* — Kilpatrick Townsend & Stockton LLP

(**) Term: **14 Years**

(21) Appl. No.: **29/388,379**

(57) **CLAIM**

The ornamental design for a chain for fastener, as shown and described.

(22) Filed: **Mar. 29, 2011**

(30) **Foreign Application Priority Data**

Sep. 30, 2010 (JP) D2010-023383

DESCRIPTION

(51) **LOC (9) Cl.** **02-07**

(52) **U.S. Cl.** **D11/221**

(58) **Field of Classification Search** D11/200,
D11/201, 221; 24/381–383, 385–387, 414–417,
24/421–422, 427–431, 433, 405; 2/265
See application file for complete search history.

FIG. 1 is a perspective view of the front, bottom and right side of a chain for fastener showing my (our) new design;
FIG. 2 is a front view thereof;
FIG. 3 is a rear view thereof,
FIG. 4 is a top plan view thereof;
FIG. 5 is a bottom view thereof;
FIG. 6 is a left side view thereof;
FIG. 7 is a right side view thereof; and,
FIG. 8 is a reference exploded front view thereof.

(56) **References Cited**

U.S. PATENT DOCUMENTS

D385,827 S * 11/1997 Covi et al. D11/221
D628,123 S * 11/2010 Kojima et al. D11/221

1 Claim, 6 Drawing Sheets

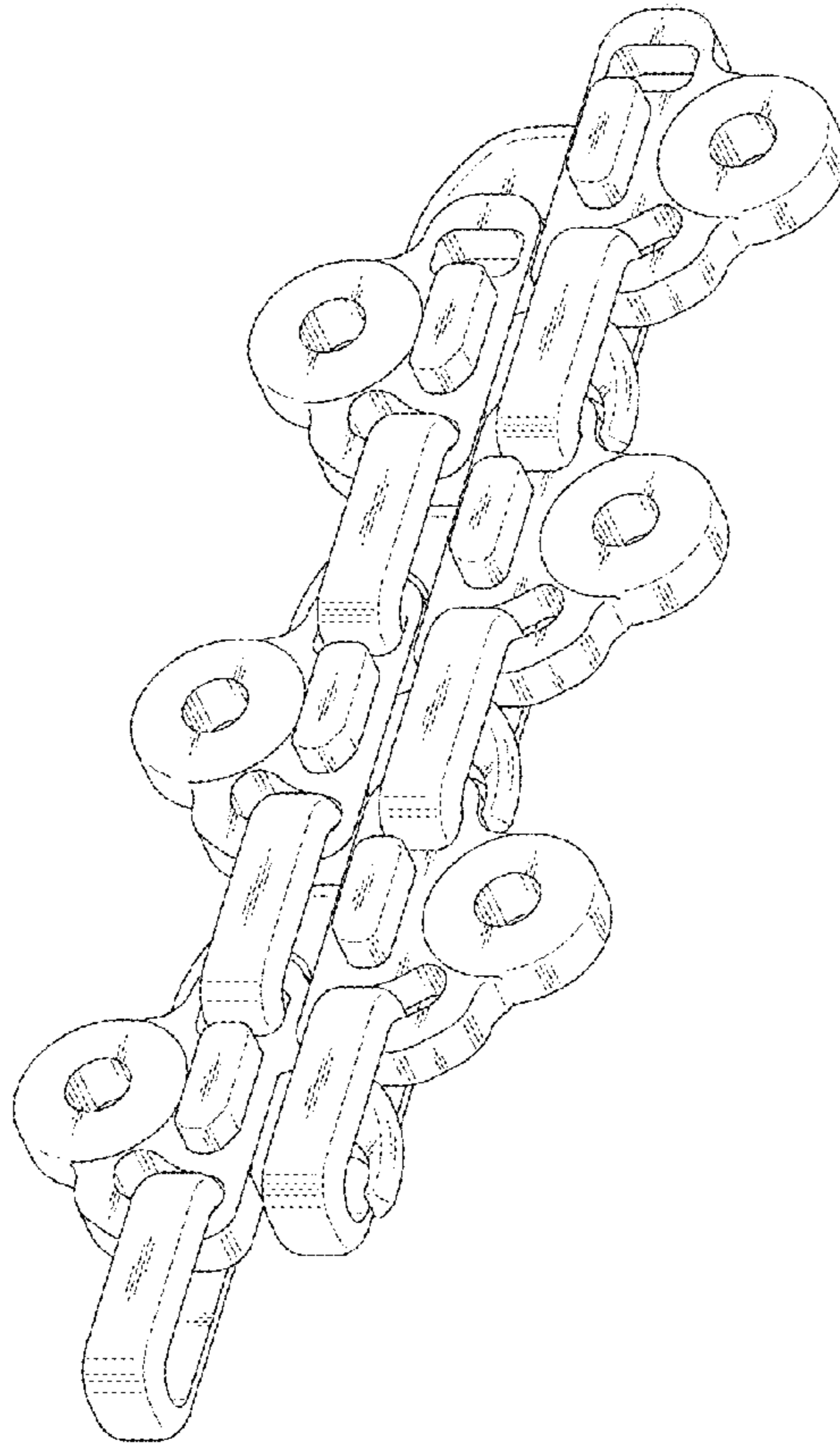
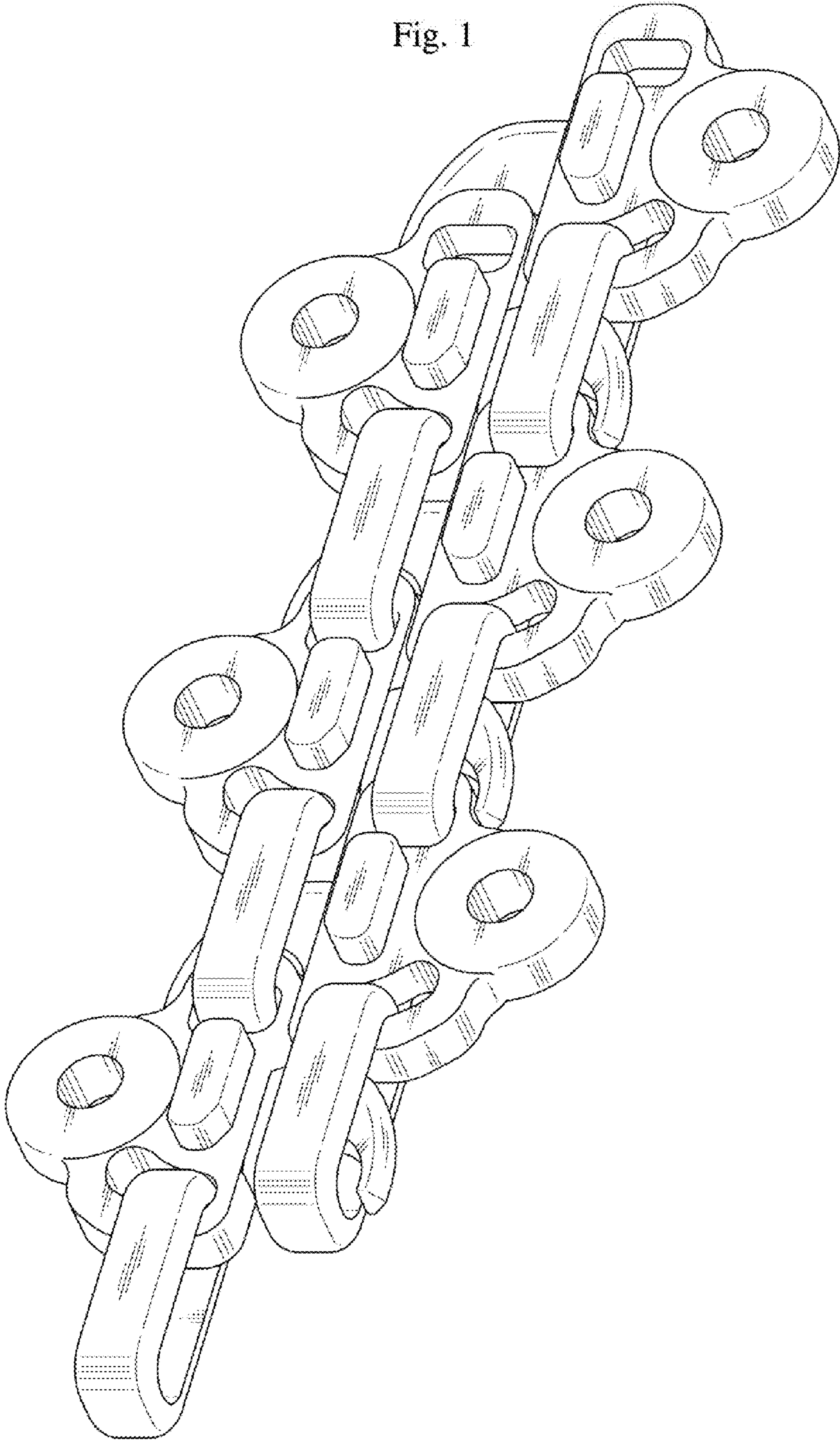


Fig. 1



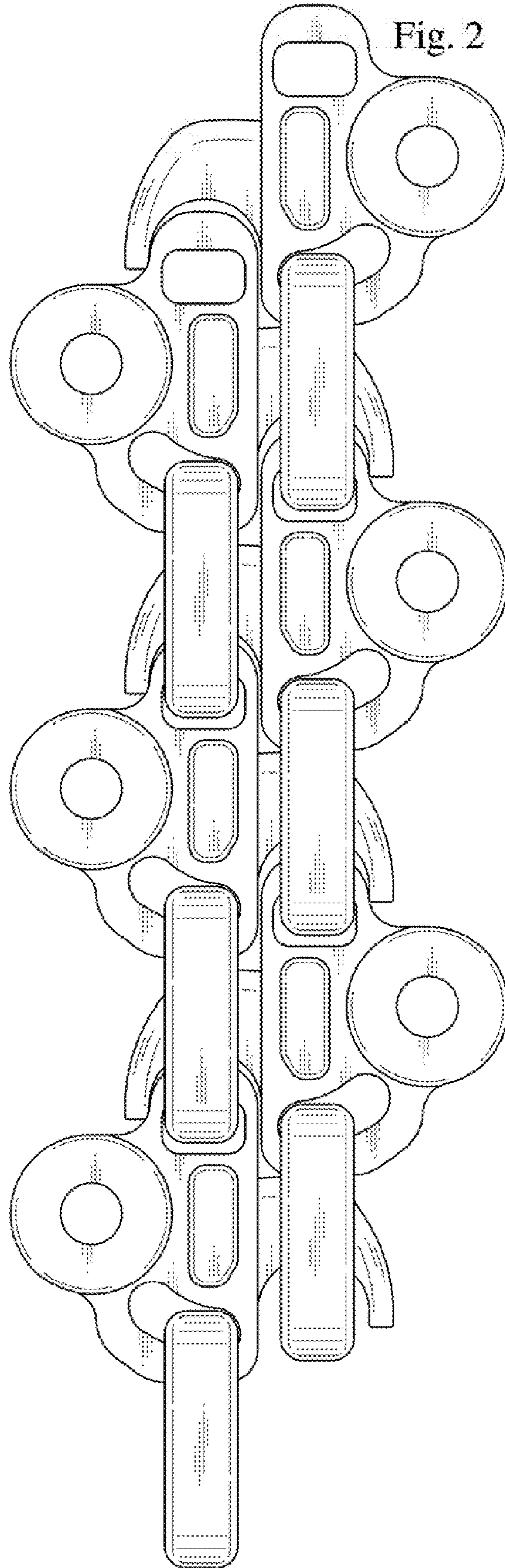


Fig. 3

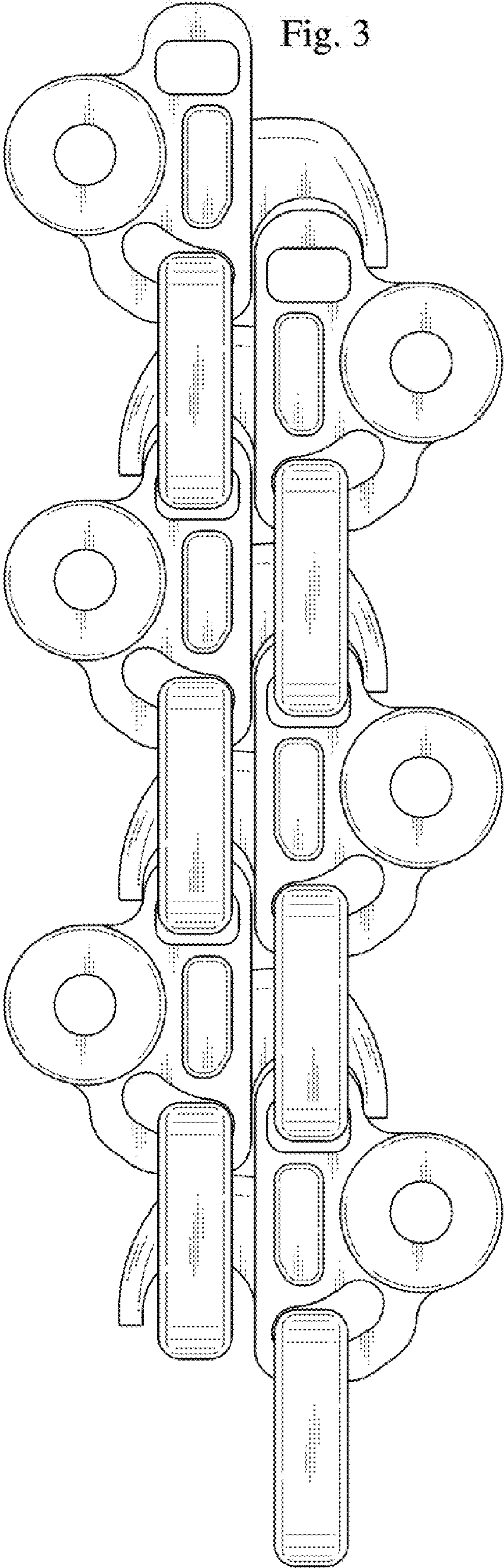


Fig. 4

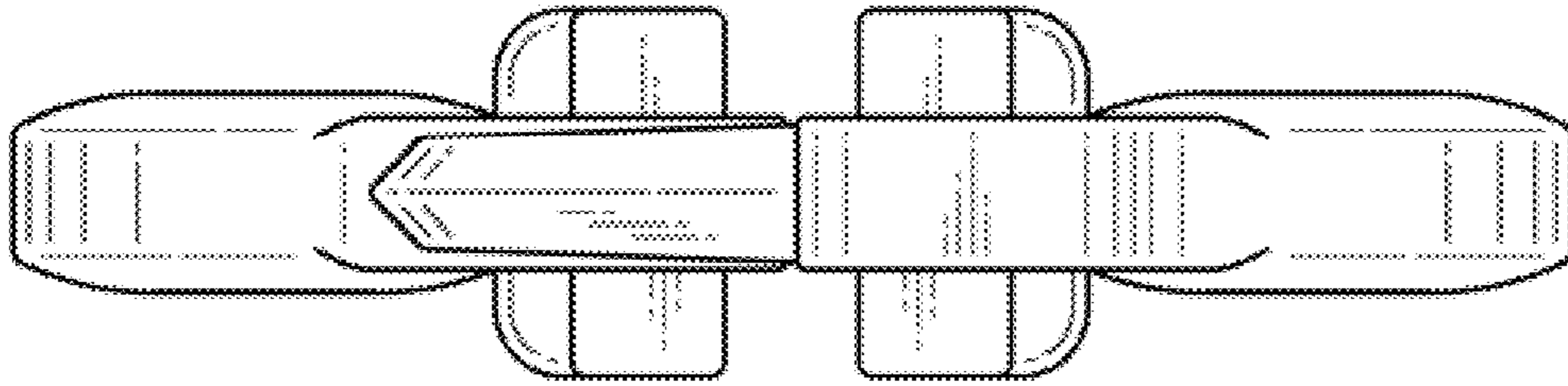
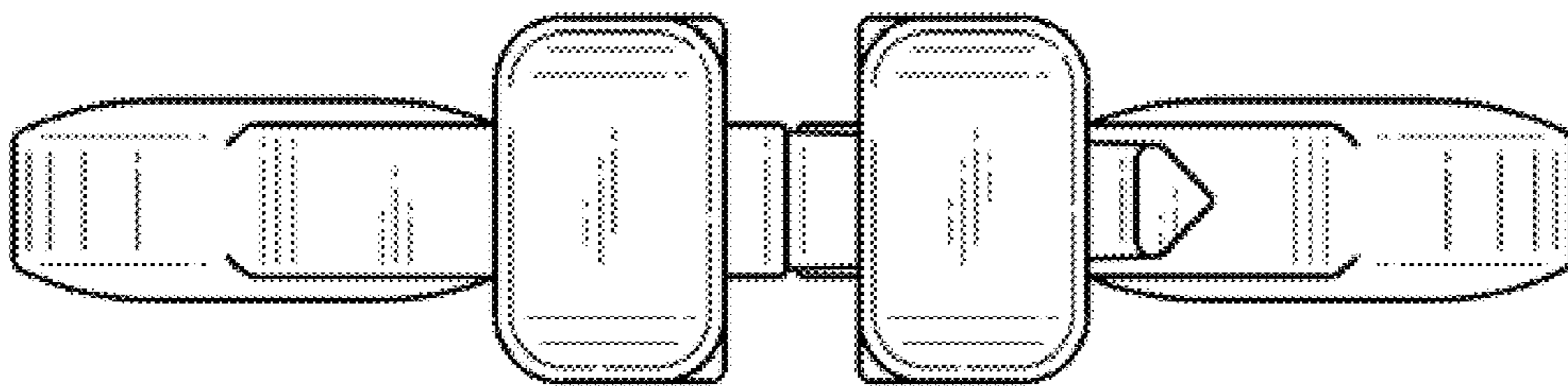


Fig. 5



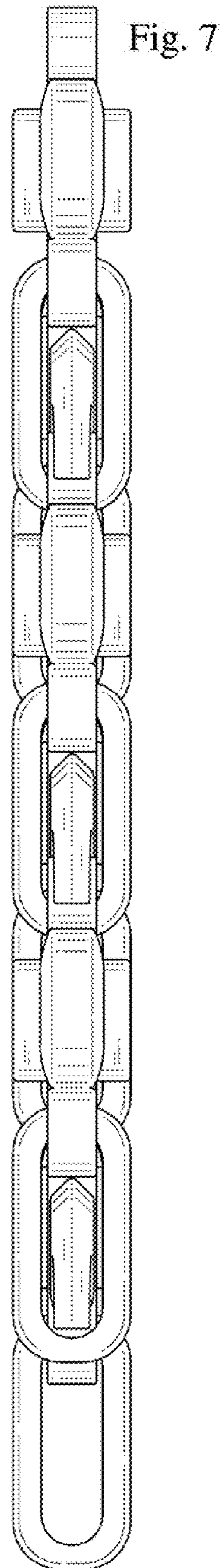
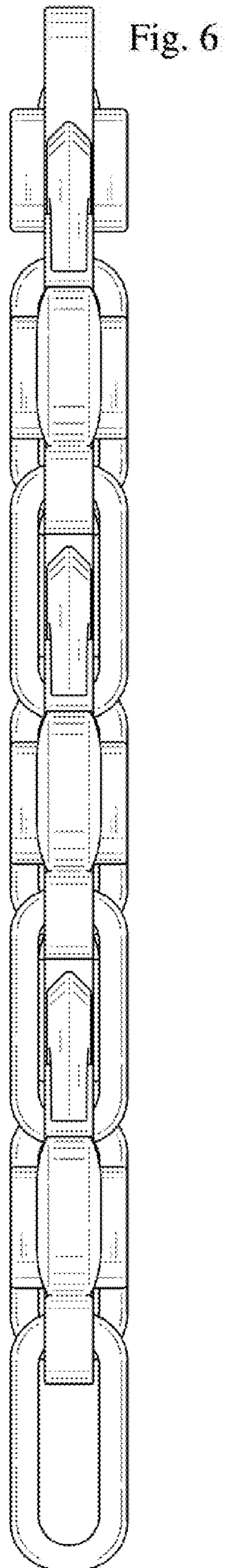


Fig. 8

