



US00D646196S

(12) **United States Design Patent**
Yamagishi

(10) **Patent No.:** **US D646,196 S**
(45) **Date of Patent:** **** Oct. 4, 2011**

(54) **SLIDER FOR SLIDE FASTENER**

FOREIGN PATENT DOCUMENTS

(75) Inventor: **Koji Yamagishi**, Toyama-ken (JP)

JP 135039 4/1958
JP 143452-1 5/1963
KR 166199 1/1996

(73) Assignee: **YKK Corporation** (JP)

* cited by examiner

(**) Term: **14 Years**

Primary Examiner — Ralf Seifert

(21) Appl. No.: **29/385,116**

(74) *Attorney, Agent, or Firm* — Kilpatrick Townsend & Stockton LLP

(22) Filed: **Feb. 9, 2011**

(30) **Foreign Application Priority Data**

(57) **CLAIM**

Aug. 10, 2010 (JP) 2010-019503

The ornamental design for a slider for slider fastener, as shown and described.

(51) **LOC (9) Cl.** **02-07**

(52) **U.S. Cl.** **D11/221**

(58) **Field of Classification Search** D11/200,

D11/201, 221; 24/381–383, 385–387, 414–417,

24/421–422, 427–431, 433; 2/265

See application file for complete search history.

DESCRIPTION

FIG. 1 is a perspective view of the front, top and right side of a slider for slider fastener showing my (our) new design; FIG. 2 is a front view thereof; FIG. 3 is a rear view thereof; FIG. 4 is a top plan view thereof; FIG. 5 is a bottom view thereof; and, FIG. 6 is a right side view thereof, the left side view being mirror image thereof.

(56) **References Cited**

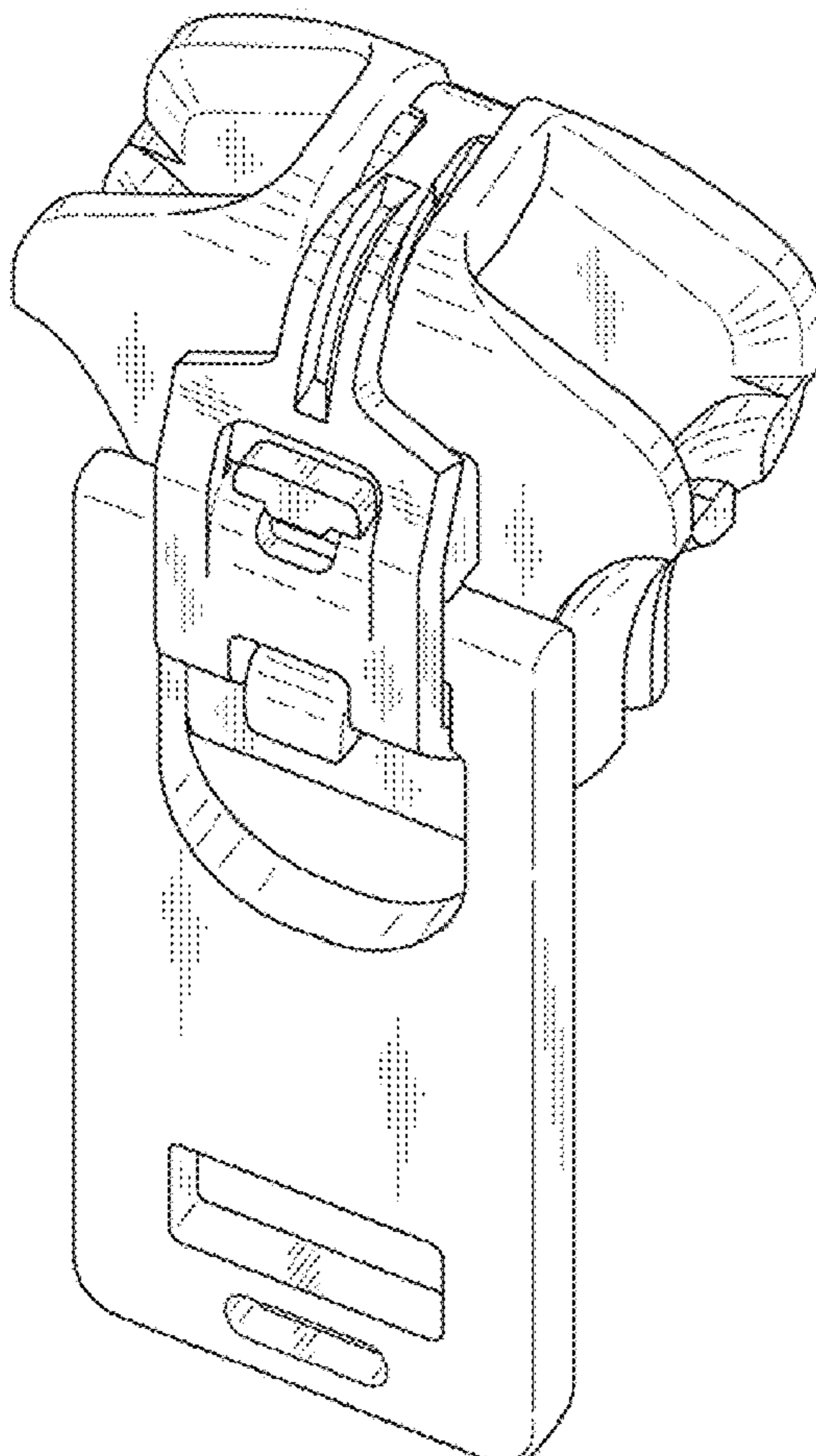
U.S. PATENT DOCUMENTS

D165,366 S * 12/1951 De Armond D11/221

D398,560 S 9/1998 Oda

D579,376 S * 10/2008 Hsiao D11/221

1 Claim, 4 Drawing Sheets



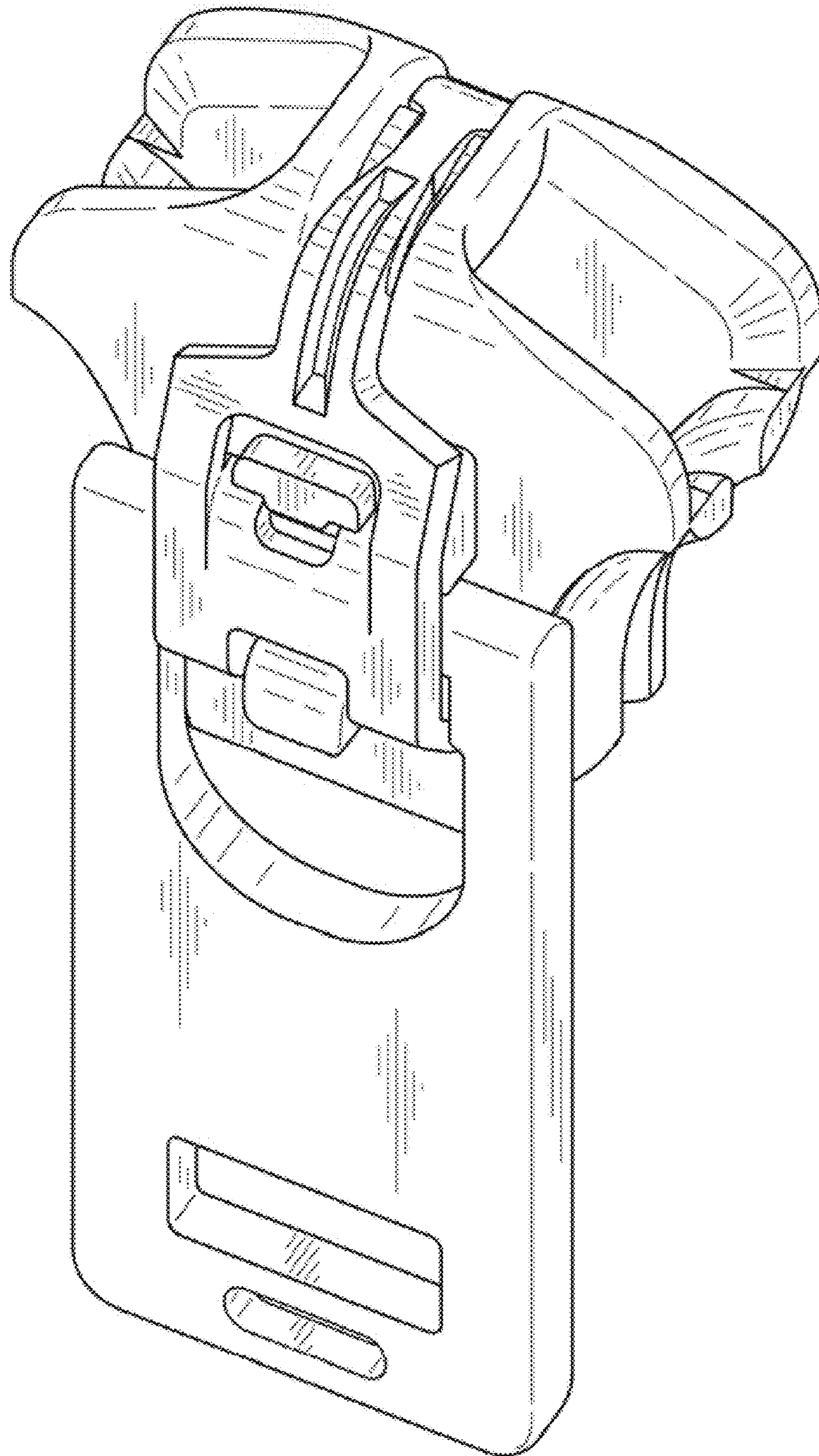


FIG. 1

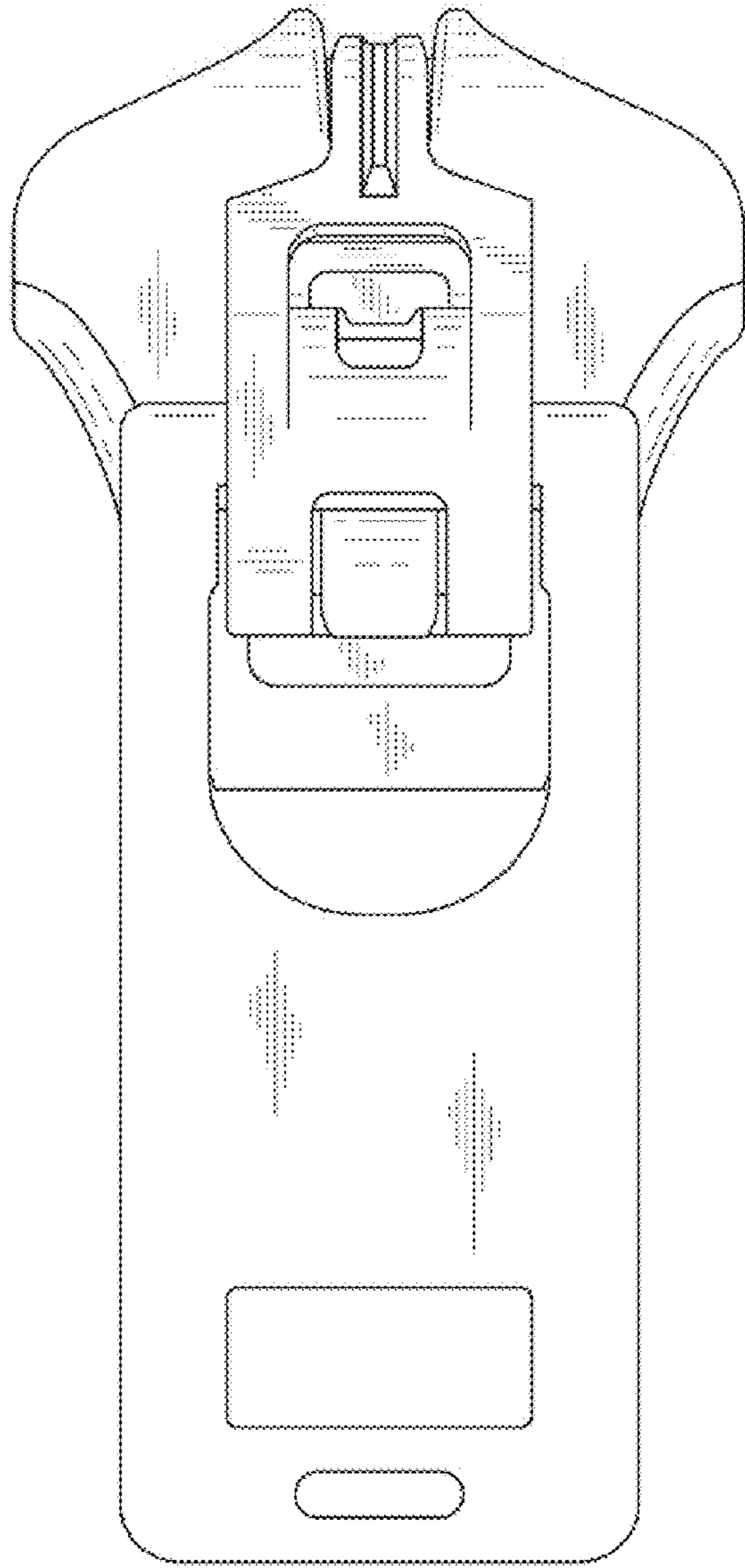


FIG. 2

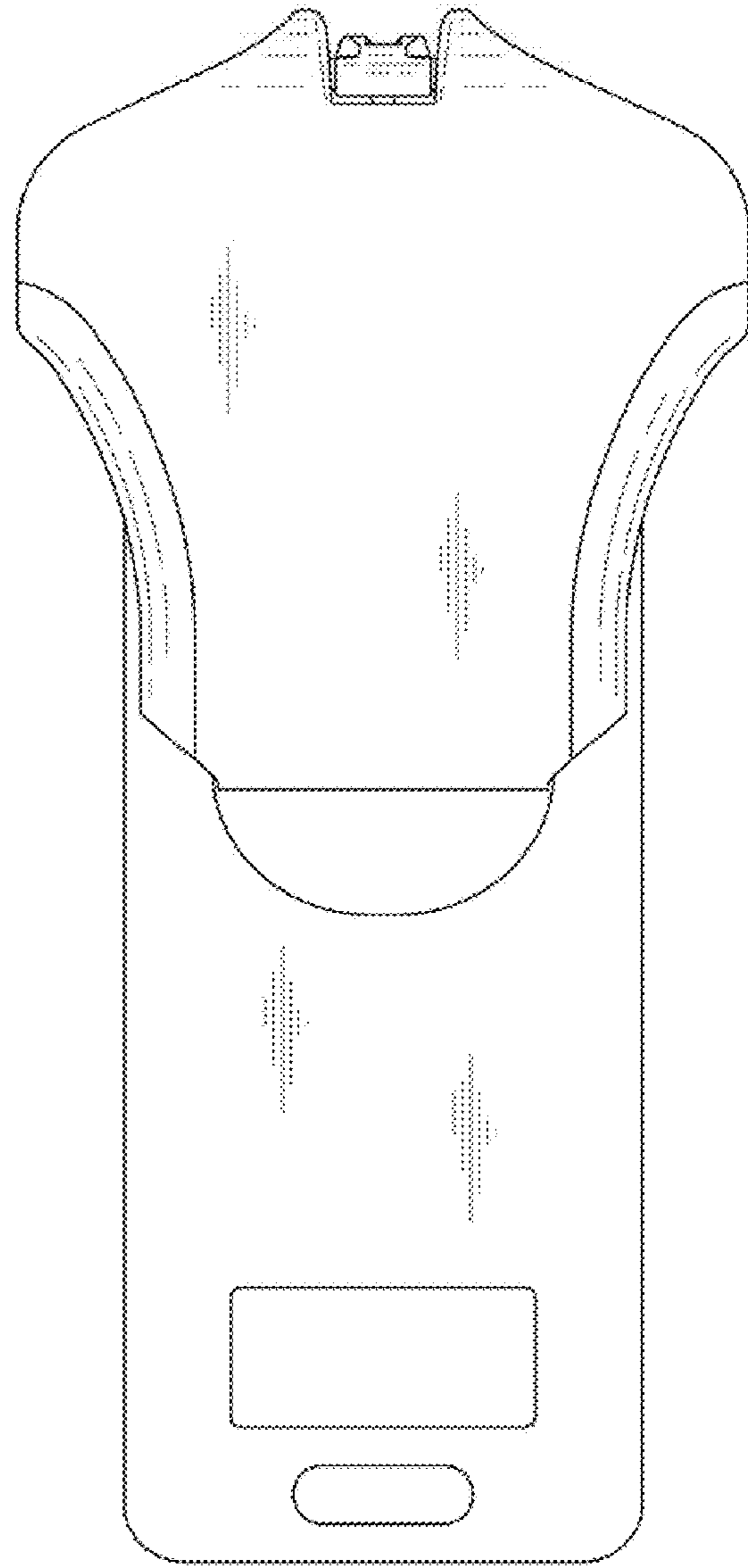


FIG. 3

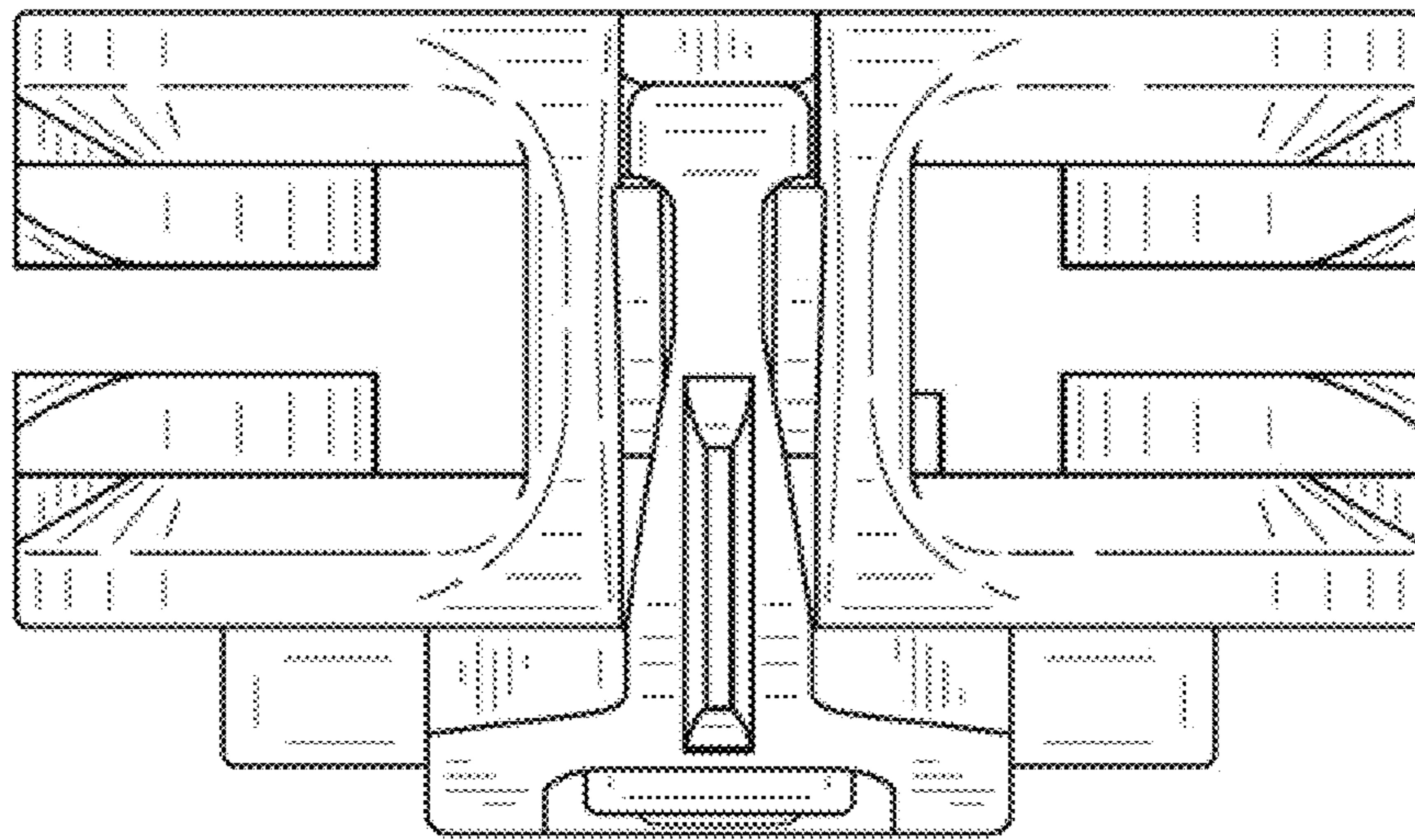


FIG. 4

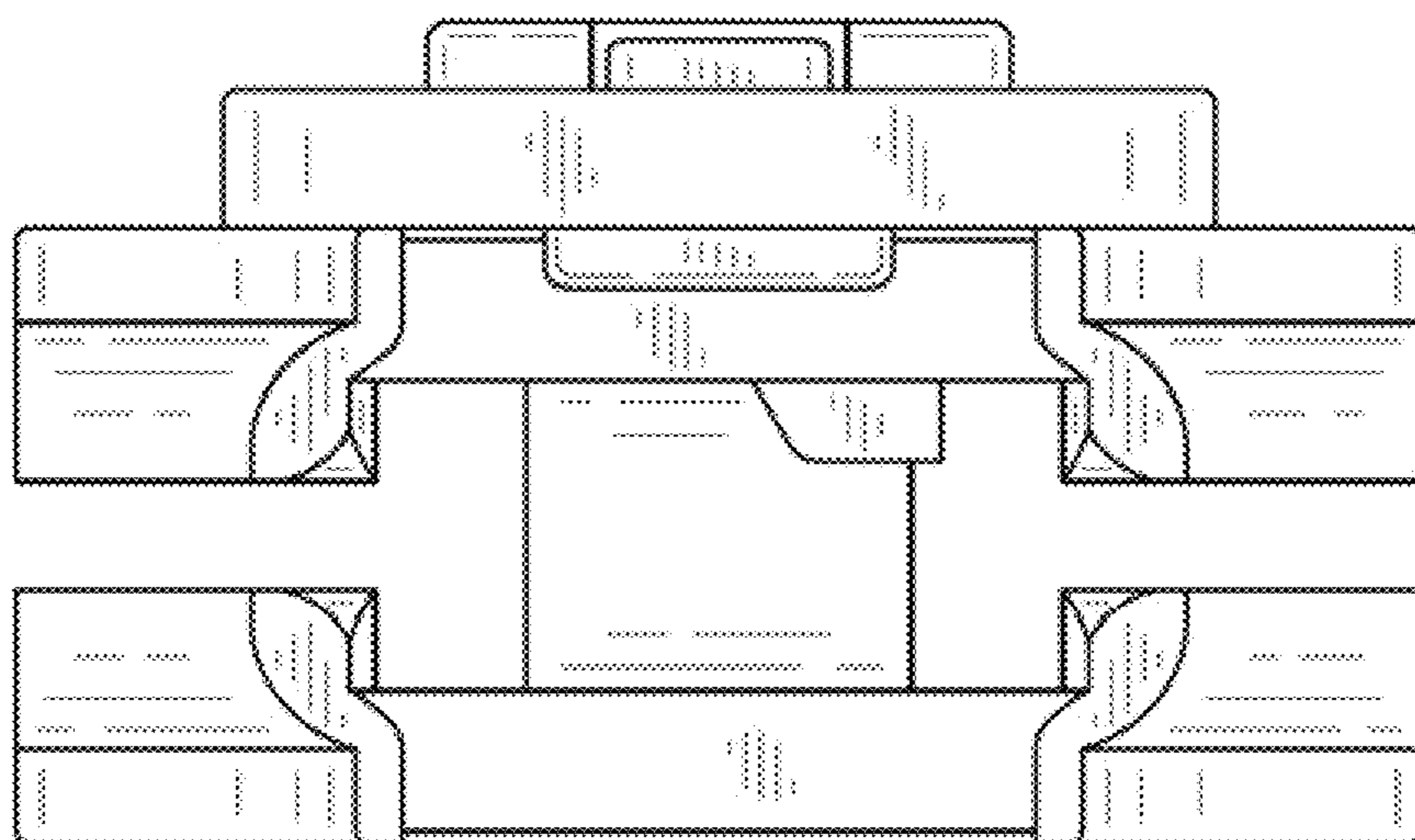


FIG. 5

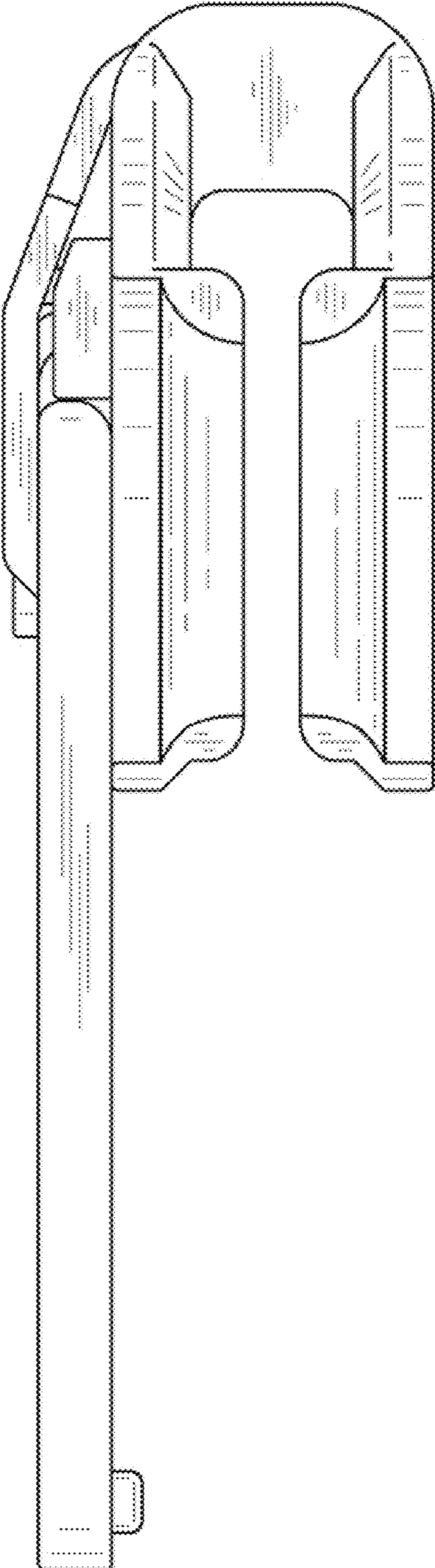


FIG. 6