



US00D646195S

(12) **United States Design Patent**  
**Gut**

(10) **Patent No.:** **US D646,195 S**

(45) **Date of Patent:** **\*\* Oct. 4, 2011**

(54) **PULL TAB FOR A SLIDE FASTENER**

*Primary Examiner* — Ralf Seifert

(75) Inventor: **Jeffrey Gut**, Raleigh, NC (US)

(74) *Attorney, Agent, or Firm* — Neal Wolgin; Tillman Wright PLLC

(73) Assignee: **Ideal Fastener Corporation**, Oxford, NC (US)

(\*\*) Term: **14 Years**

(57) **CLAIM**

The ornamental design for a pull tab for a slide fastener, as shown and described.

(21) Appl. No.: **29/365,728**

(22) Filed: **Jul. 14, 2010**

(51) **LOC (9) Cl.** ..... **02-07**

(52) **U.S. Cl.** ..... **D11/221**

(58) **Field of Classification Search** ..... D11/200,  
D11/201, 221; 24/381–383, 385–387, 414–417,  
24/421–422, 427–431, 433; 2/265  
See application file for complete search history.

**DESCRIPTION**

FIG. 1 is a front view illustrating a pull tab for a slide fastener; FIG. 2 is a bottom view of the pull tab; FIG. 3 is a top view of the pull tab; FIG. 4 is a left side view of the pull tab; FIG. 5 is a right side view of the pull tab; FIG. 6 is a section view of the pull tab taken along the line 6-6 of FIG. 1; and, FIG. 7 is a front view showing the pull tab of FIG. 1 in connection with a slide fastener slider body, the slide fastener body being for illustrative purposes only and forms no part of the claimed design.

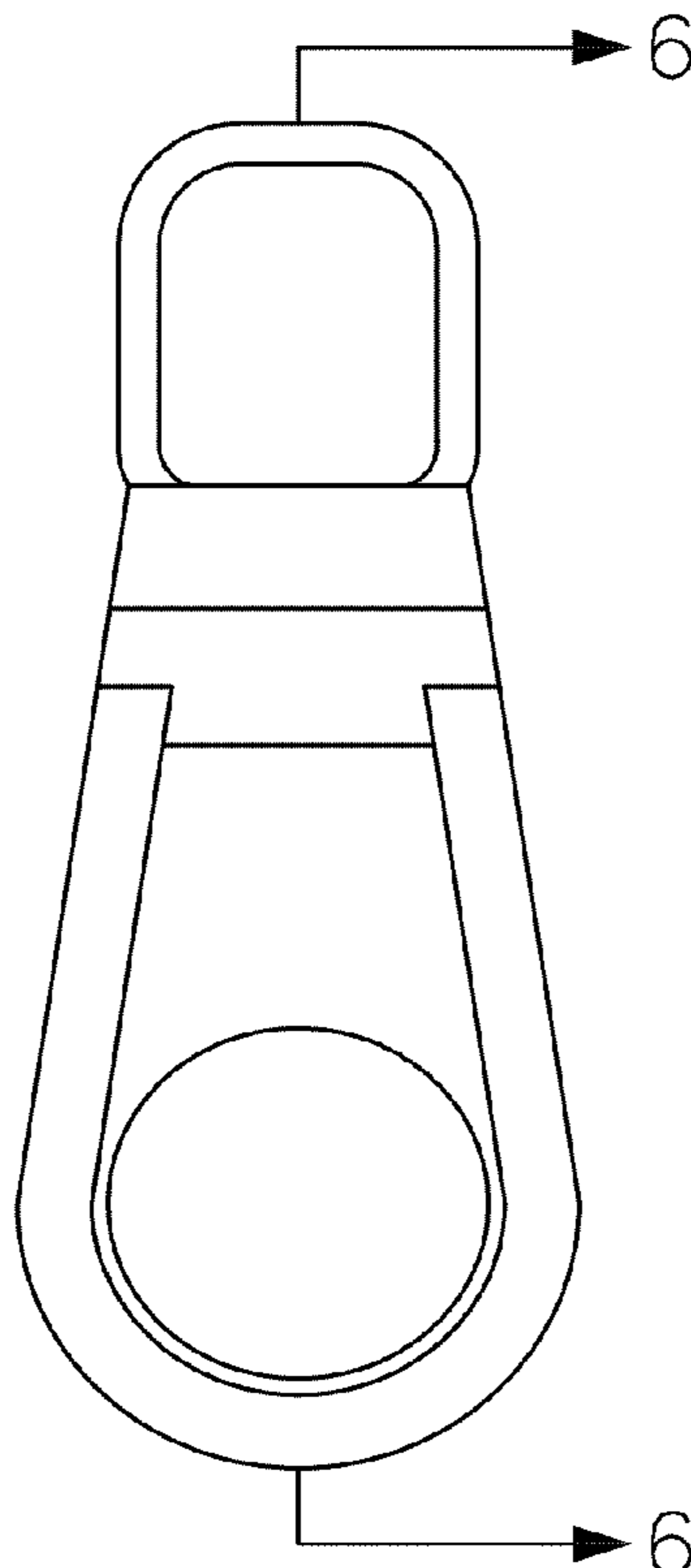
(56) **References Cited**

**U.S. PATENT DOCUMENTS**

D291,546 S	*	8/1987	Oda	.....	D11/221
D366,011 S	*	1/1996	Yuuki	.....	D11/221
D478,839 S	*	8/2003	Yoneoka et al.	.....	D11/221
D579,377 S	*	10/2008	Hsiao	.....	D11/221

\* cited by examiner

**1 Claim, 2 Drawing Sheets**



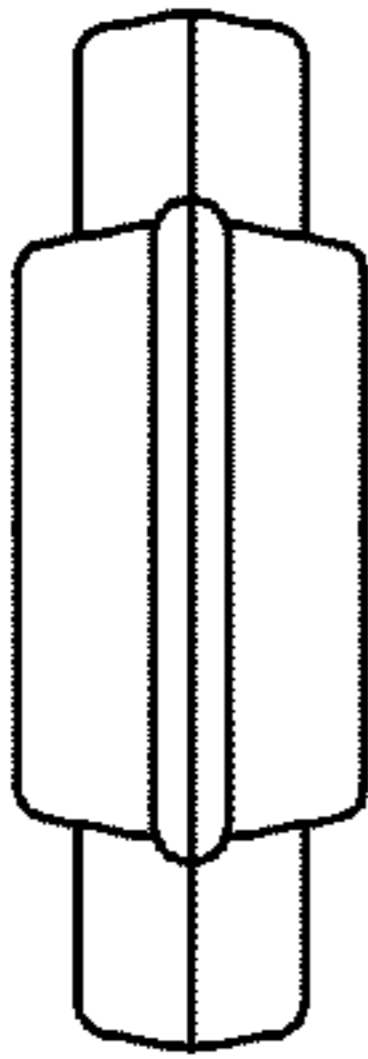


Fig.3

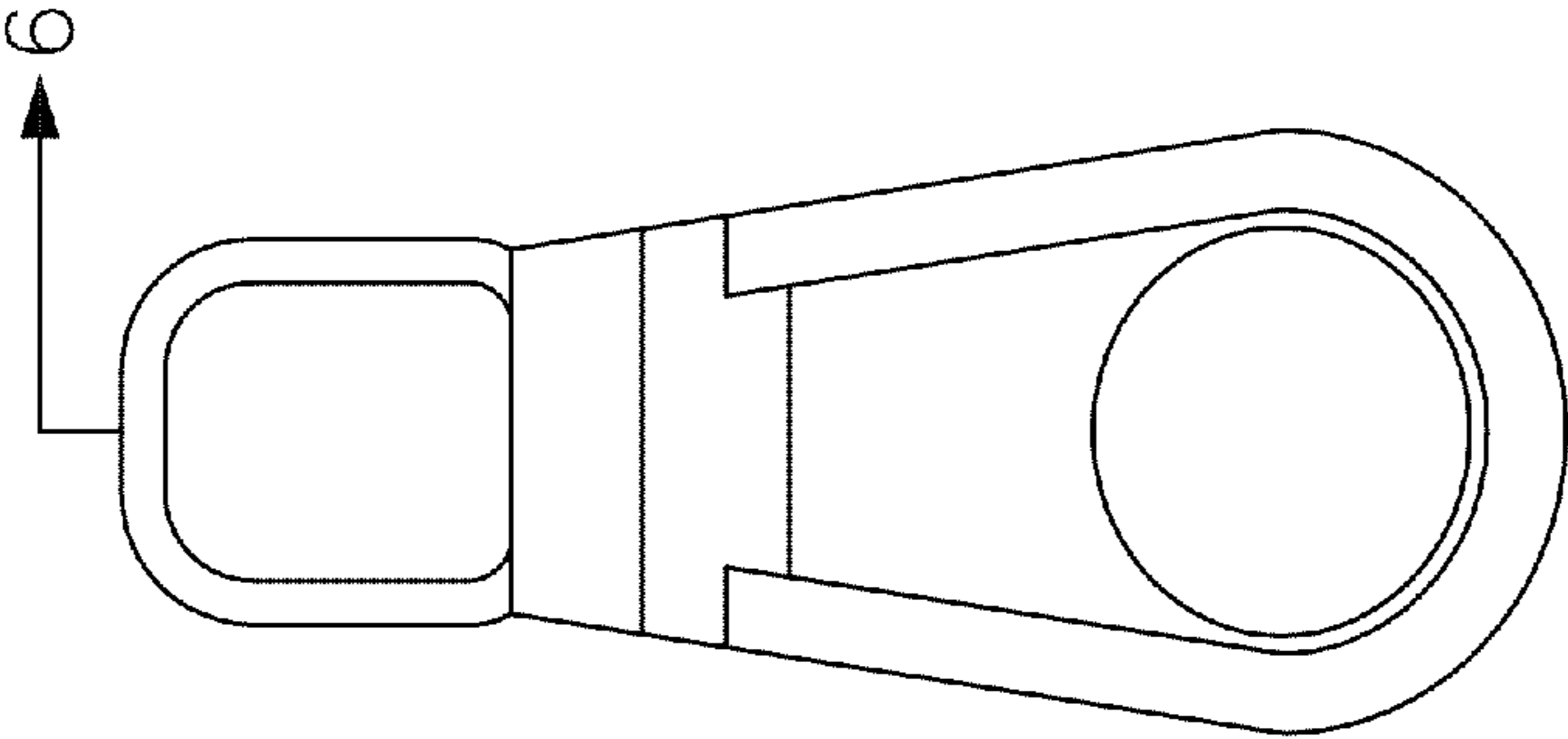


Fig.1

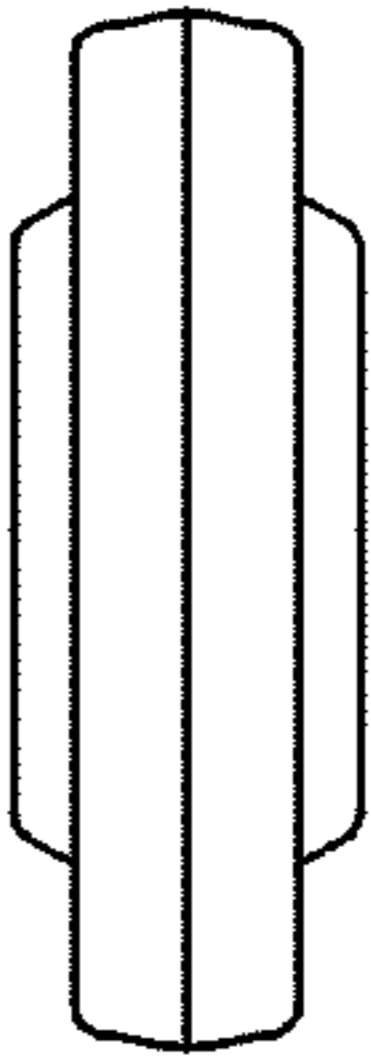


Fig.2

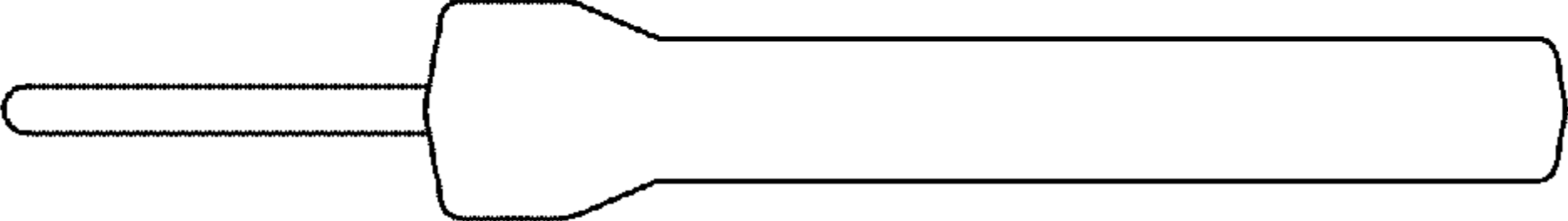


Fig.4

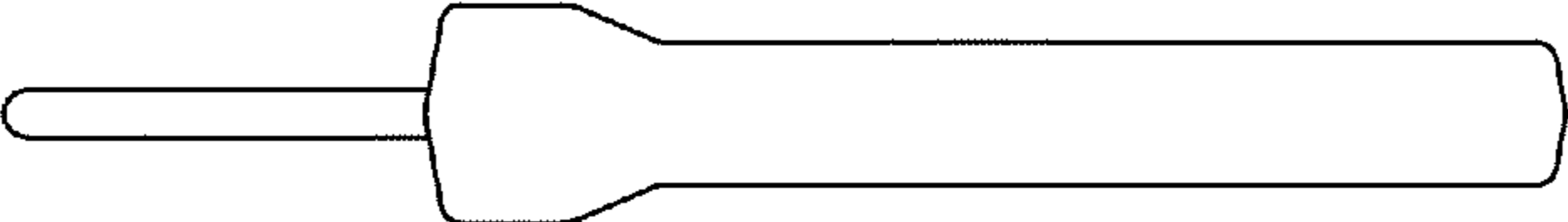


Fig.5

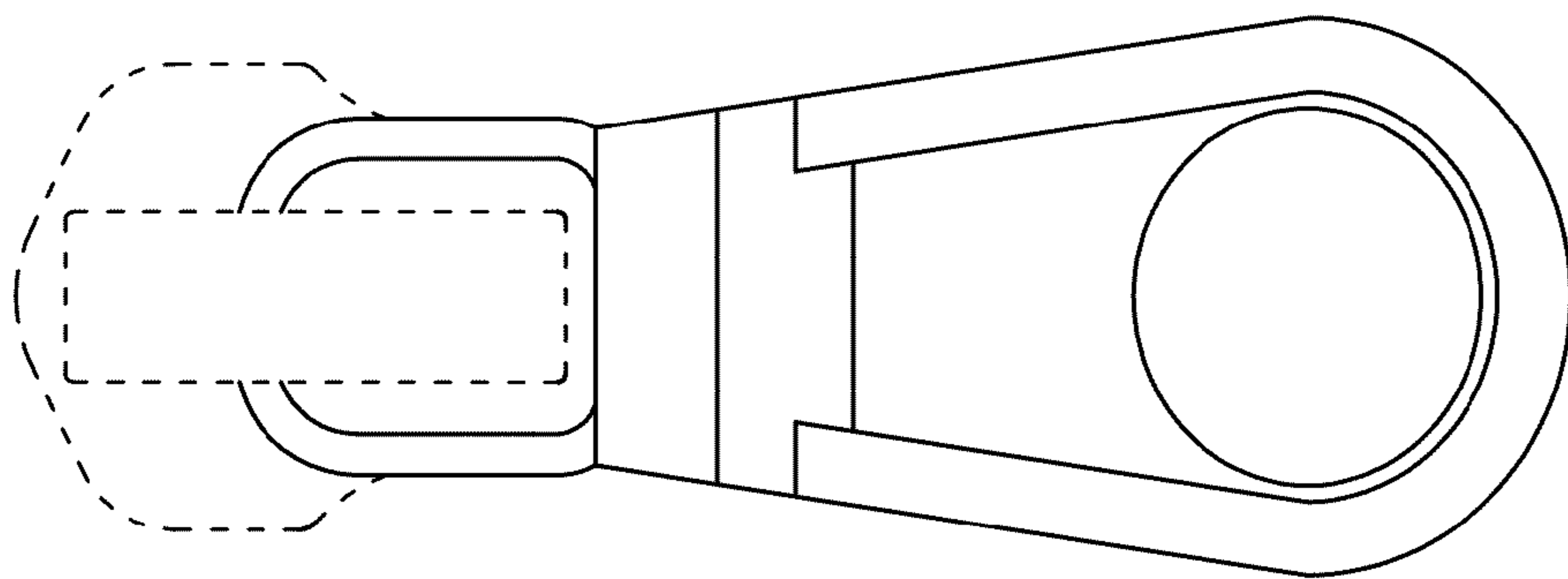


Fig. 7

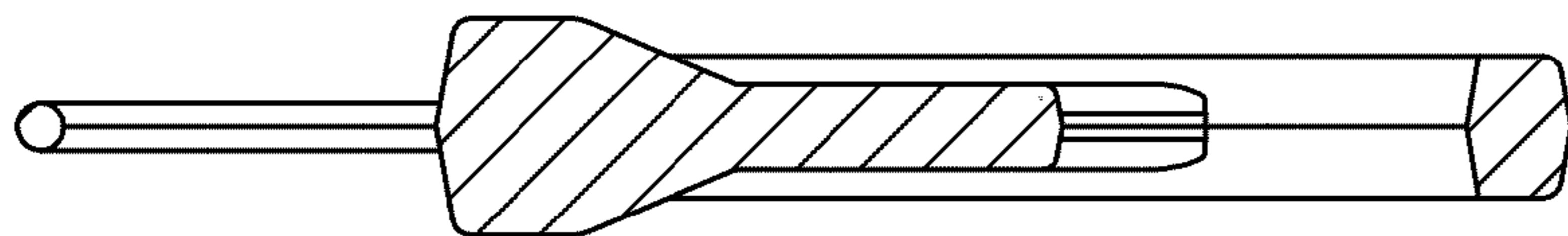


Fig. 6