



US00D646193S

(12) **United States Design Patent**
Hashimoto

(10) **Patent No.:** **US D646,193 S**
(45) **Date of Patent:** **** Oct. 4, 2011**

(54) **CASE FOR HOLDING DECORATIVE ARTICLES**

(75) Inventor: **Masaki Hashimoto**, Ibaraki (JP)

(73) Assignee: **Suntory Holdings Limited**, Osaka (JP)

(**) Term: **14 Years**

(21) Appl. No.: **29/361,147**

(22) Filed: **May 6, 2010**

(30) **Foreign Application Priority Data**

Nov. 10, 2009 (JP) 2009-026259

(51) **LOC (9) Cl.** **11-02**

(52) **U.S. Cl.** **D11/143**

(58) **Field of Classification Search** D6/403-405,
D6/556-558; D8/1; D11/143-156, 164;
D19/77, 80, 81, 84; D25/100; D26/9-11,
D26/16, 19; D34/1, 2, 4-6; D99/5, 19; 47/17,
47/32.4, 32.5, 32.7, 33, 39, 41.01, 41.1, 41.11-41.15,
47/44-47, 65, 65.5, 65.9, 66.1, 66.2, 66.6,
47/66.7, 67-71, 82, 83, 86, 87
See application file for complete search history.

(56) **References Cited**

U.S. PATENT DOCUMENTS

152,758	A *	7/1874	Mills	47/86
986,395	A *	3/1911	King	47/33
2,830,405	A *	4/1958	Nydegger	47/84
4,059,922	A *	11/1977	DiGiacinto	47/82
D250,158	S *	11/1978	Kelly	D6/468
5,363,594	A *	11/1994	Davis	47/82
6,615,542	B2 *	9/2003	Ware	47/83
D620,218	S *	7/2010	Larin	D34/1
2007/0084107	A1 *	4/2007	Ganti	47/39

(Continued)

Primary Examiner — Garth Rademaker

(74) *Attorney, Agent, or Firm* — Greenblum & Bernstein P.L.C.

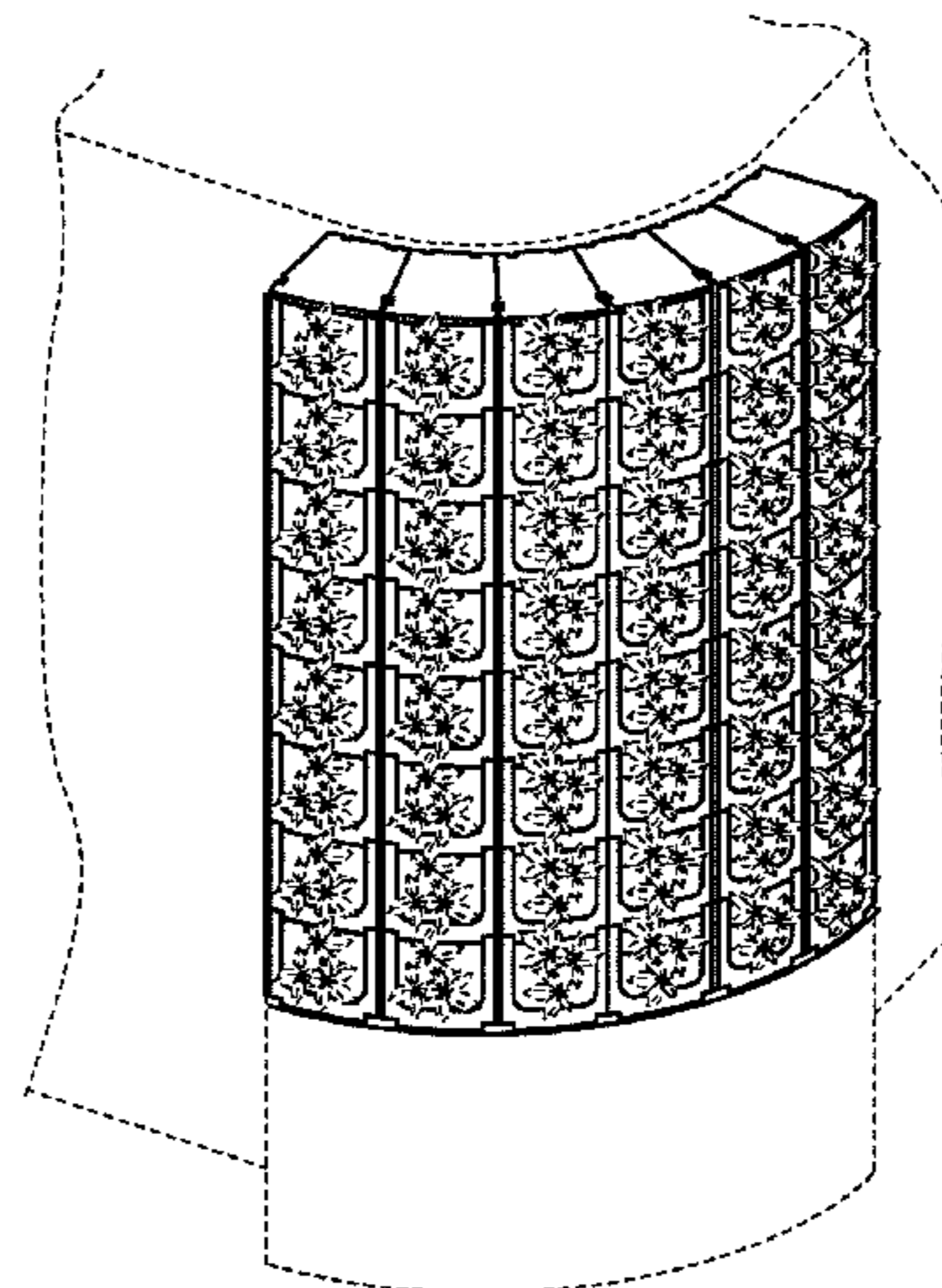
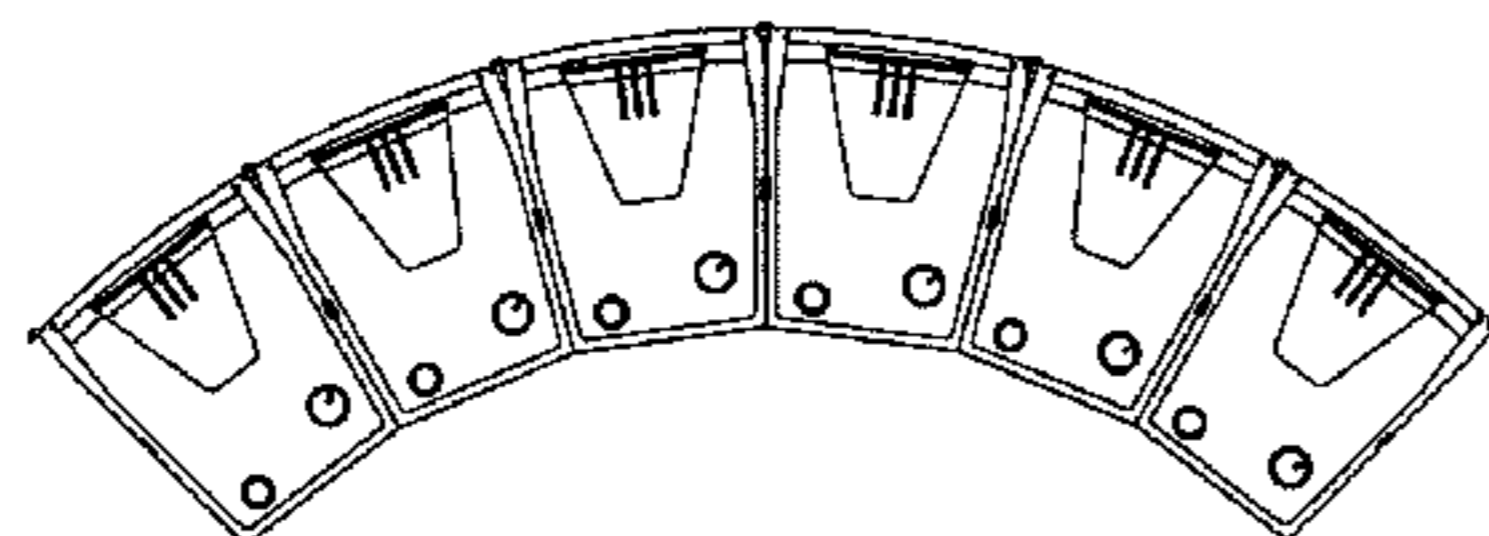
(57) **CLAIM**

The ornamental design for a case for holding decorative articles, as shown and described.

DESCRIPTION

FIG. 1 is a front elevation view of a case for holding decorative articles showing my new design; FIG. 2 is a rear elevation view thereof; FIG. 3 is a left side elevation view thereof; FIG. 4 is a right side elevation view thereof; FIG. 5 is a top plan view thereof; FIG. 6 is a bottom plan view thereof; FIG. 7 is a top plan view thereof, shown at an enlarged scale; FIG. 8 is a front elevation view thereof, shown in an alternate position of use; FIG. 9 is a top plan view thereof, shown positioned as in FIG. 8; FIG. 10 is a top plan view thereof, shown in another alternate position of use; FIG. 11 is a front elevation view thereof, showing section 11 of FIG. 1 at an enlarged scale; FIG. 12 is a front elevation view thereof, showing section 12 of FIG. 8 at an enlarged scale; FIG. 13 is a cross-section view of the area shown in FIG. 11, taken on line 13-13 of FIG. 11; FIG. 14 is a cross-section view of the area shown in FIG. 12, taken on line 14-14 of FIG. 12; FIG. 15 is a perspective view of one of the elements forming the top row of the design, shown at an enlarged scale, each element forming the top row thereof being identical thereto; FIG. 16 is a perspective view of one of the elements beneath the top row of the design, shown at an enlarged scale, each element beneath the top row of the design being identical thereto; FIG. 17 is a perspective view of the case for holding decorative articles, shown positioned as in FIG. 1 and in an environment of use; and, FIG. 18 is a perspective view thereof, shown positioned as in FIG. 8 and in an environment of use. The case for holding decorative articles pivots along each vertical axis, as shown in FIGS. 5, 9, and 10, and can be placed on a base, as shown in FIGS. 17 and 18. The broken lines in the figures depict environmental subject matter only and form no part of the claimed design.

1 Claim, 18 Drawing Sheets



US D646,193 S

Page 2

U.S. PATENT DOCUMENTS			
2009/0223126	A1*	9/2009	Garner et al. 47/66.7
2009/0293351	A1*	12/2009	De Pagter et al. 47/41.12
2010/0095586	A1*	4/2010	Sichello 47/65.9
2010/0095588	A1*	4/2010	Hashimoto 47/82
* cited by examiner			

Fig. 1

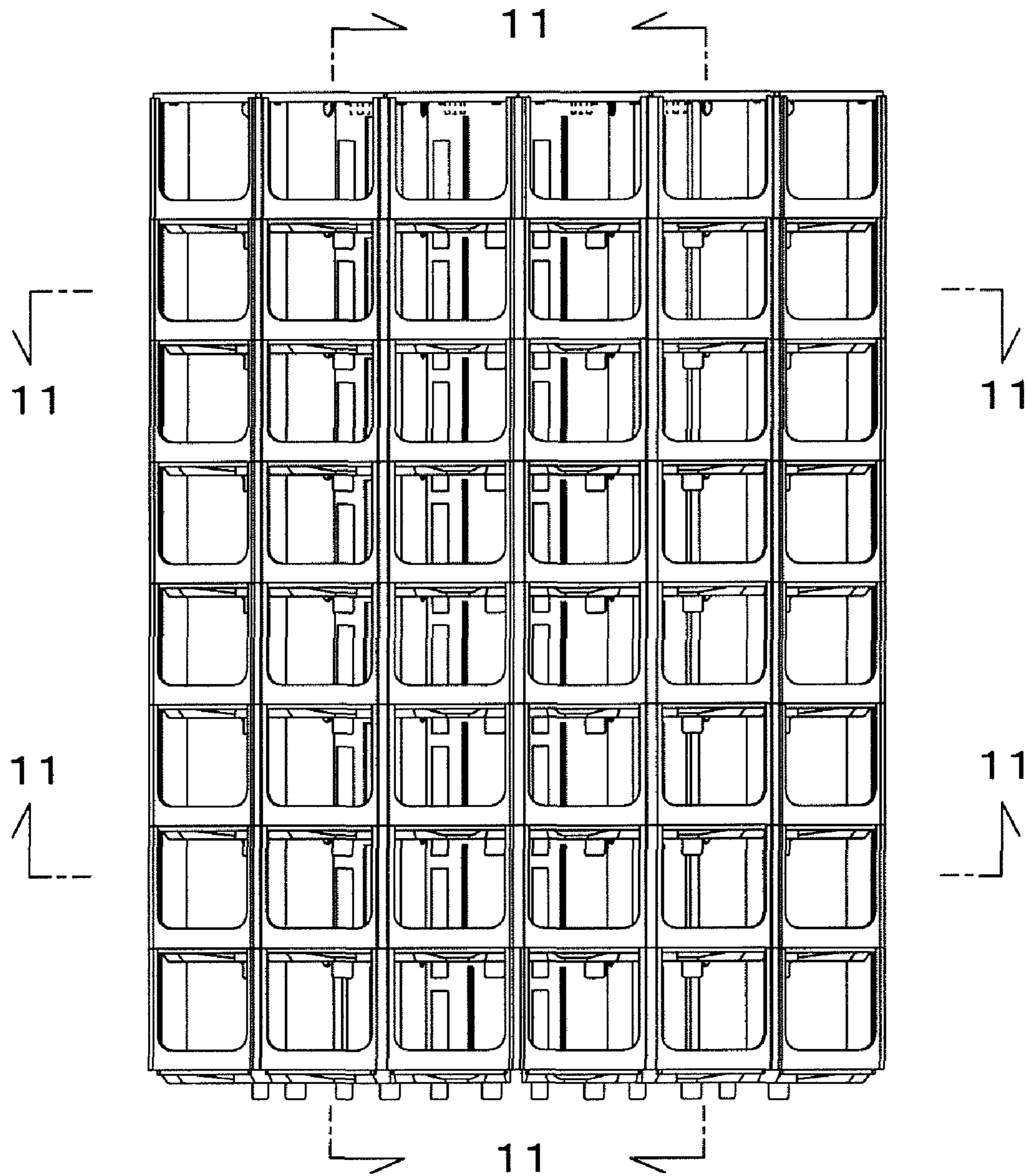


Fig. 2

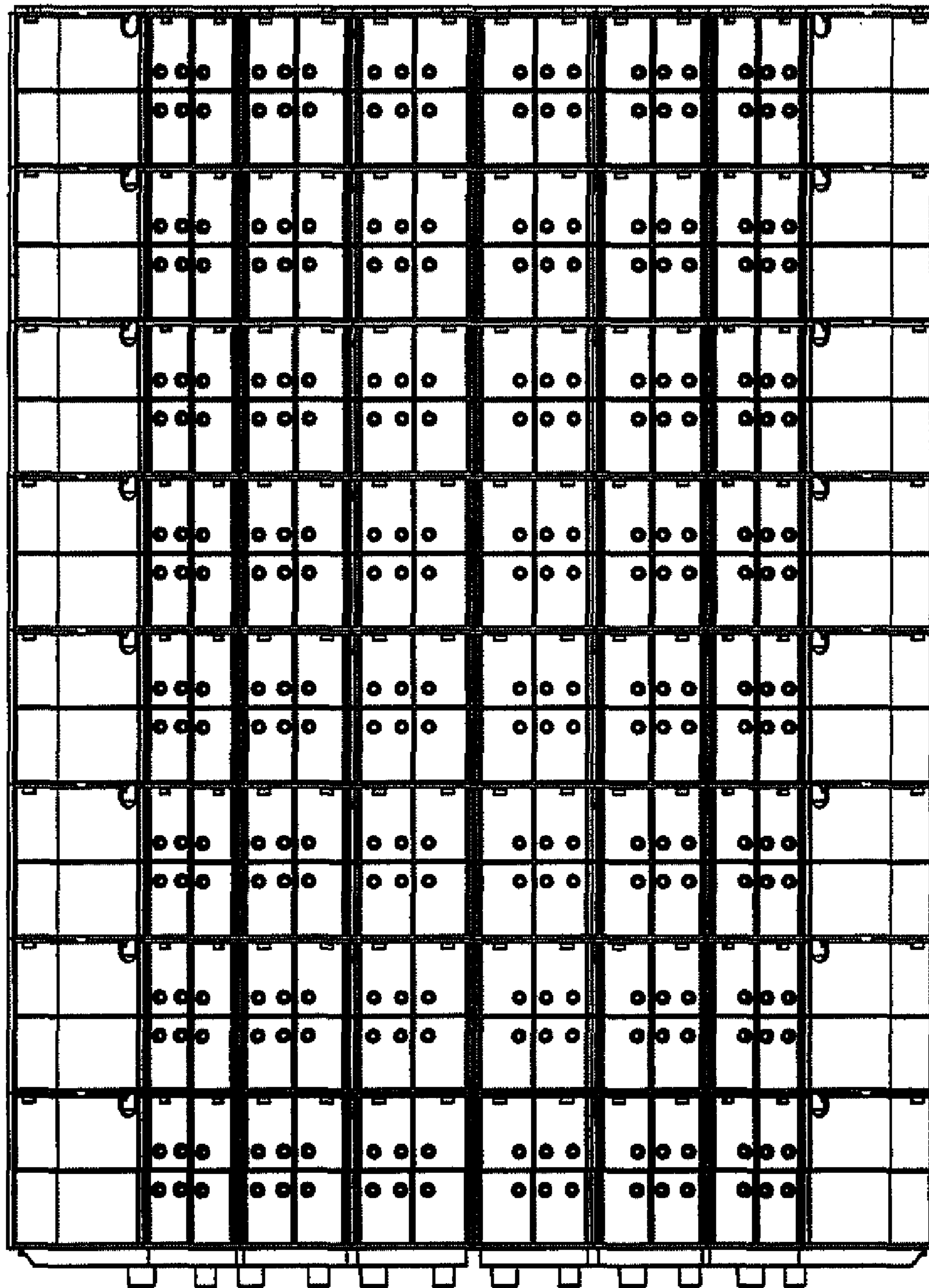


Fig. 3

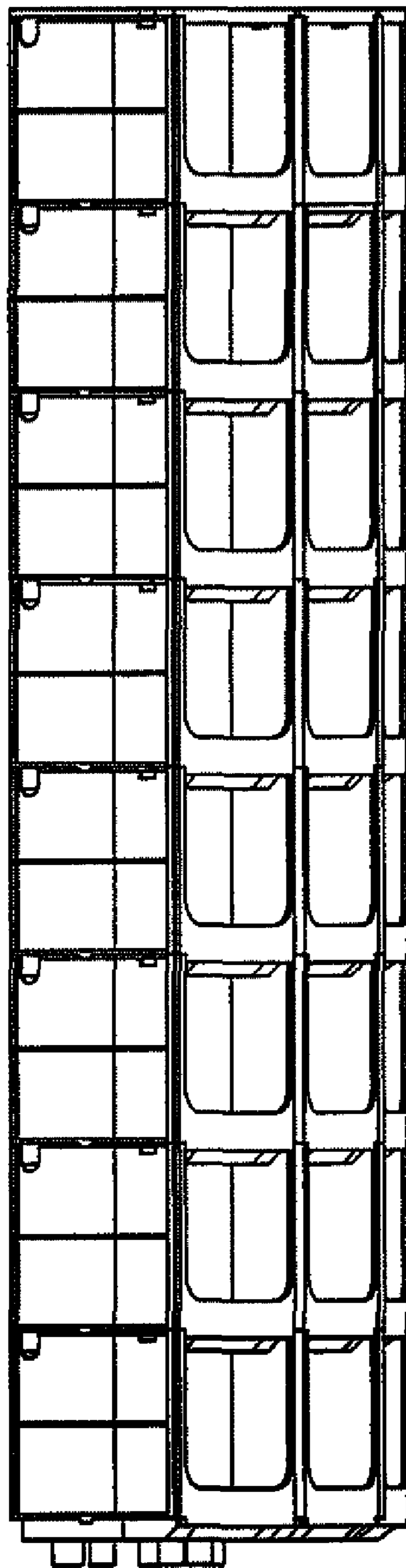
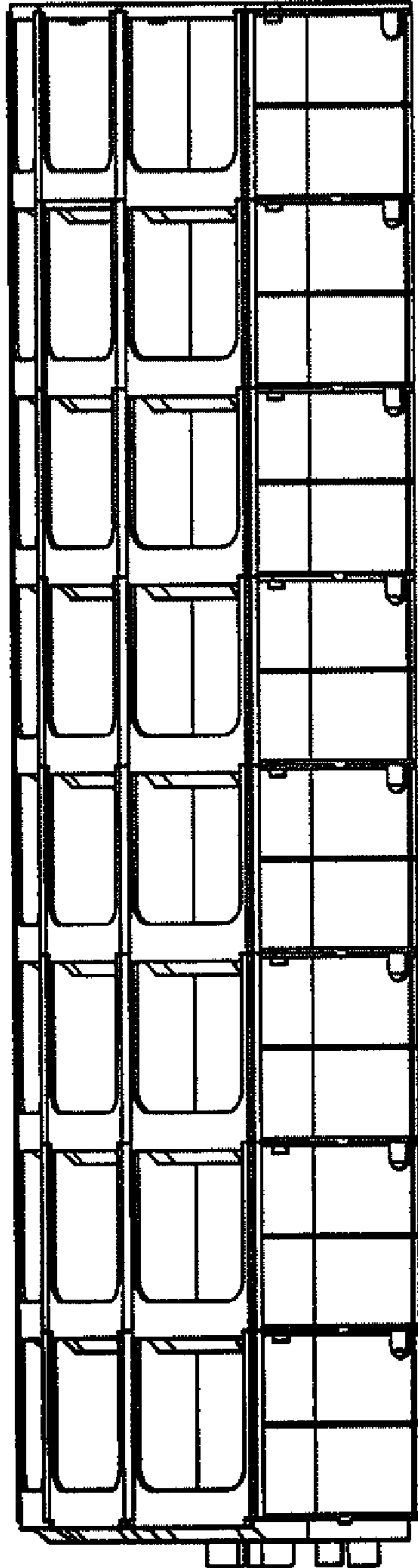


Fig. 4



F i g . 5

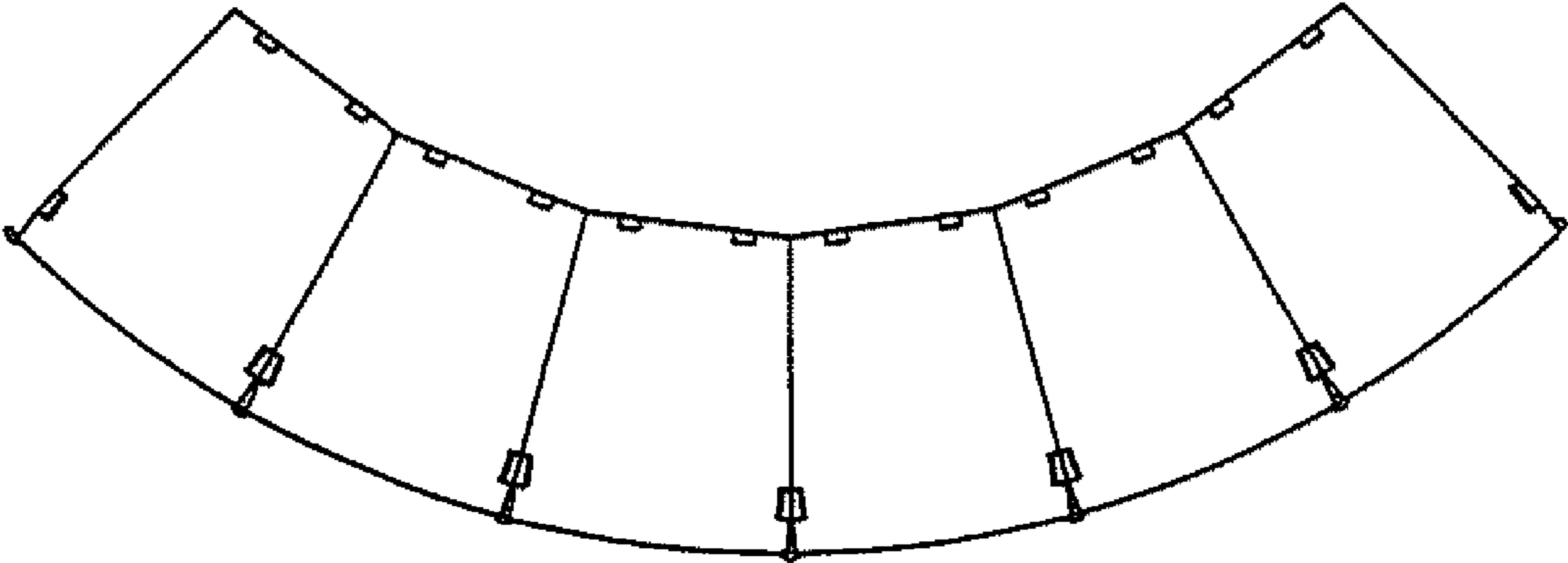
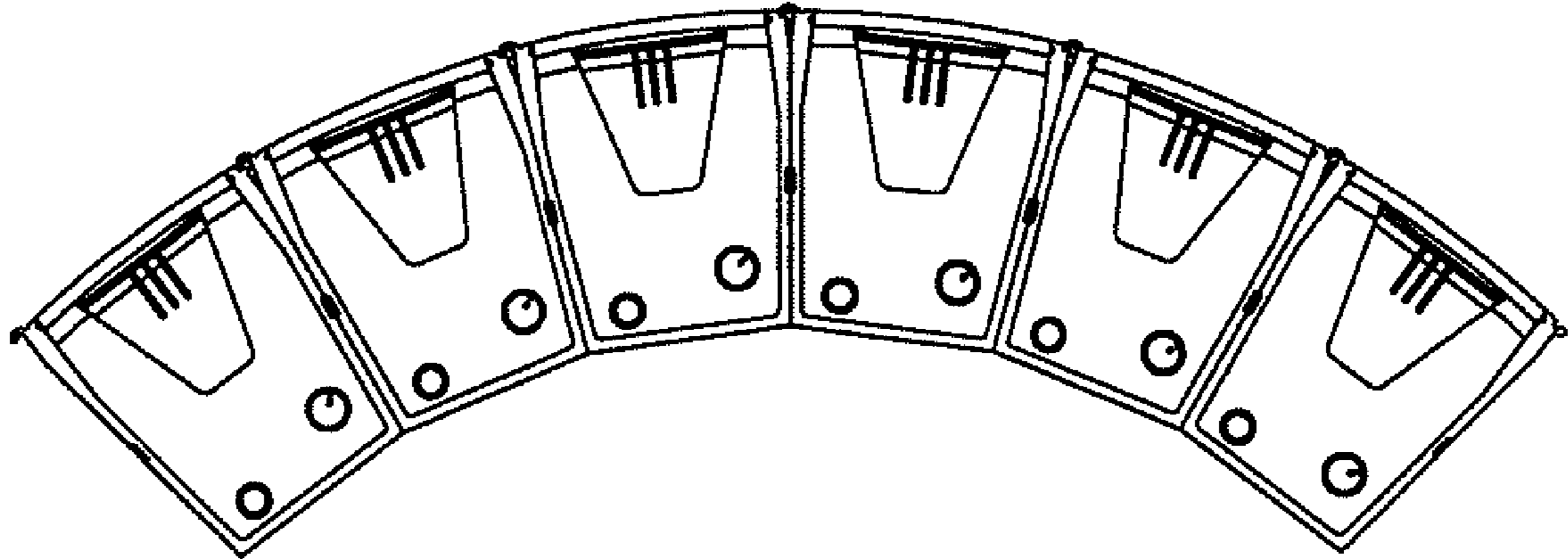
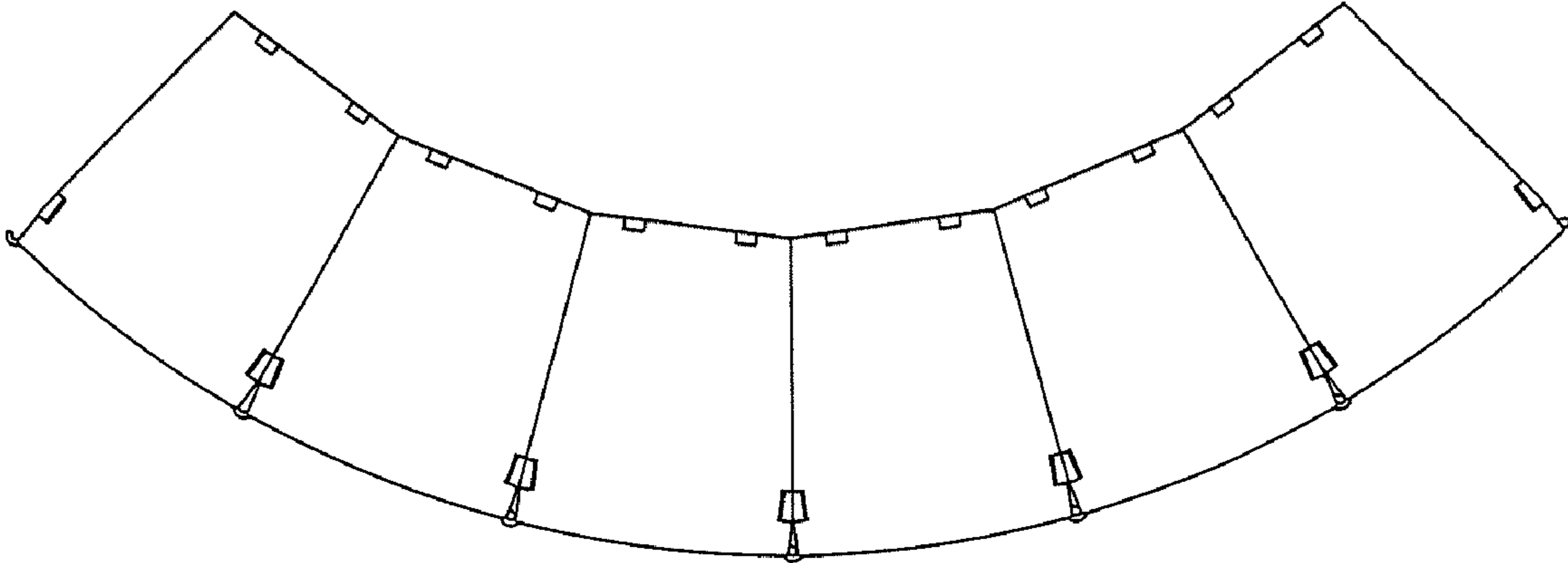


Fig. 6



F i g . 7



F i g . 8

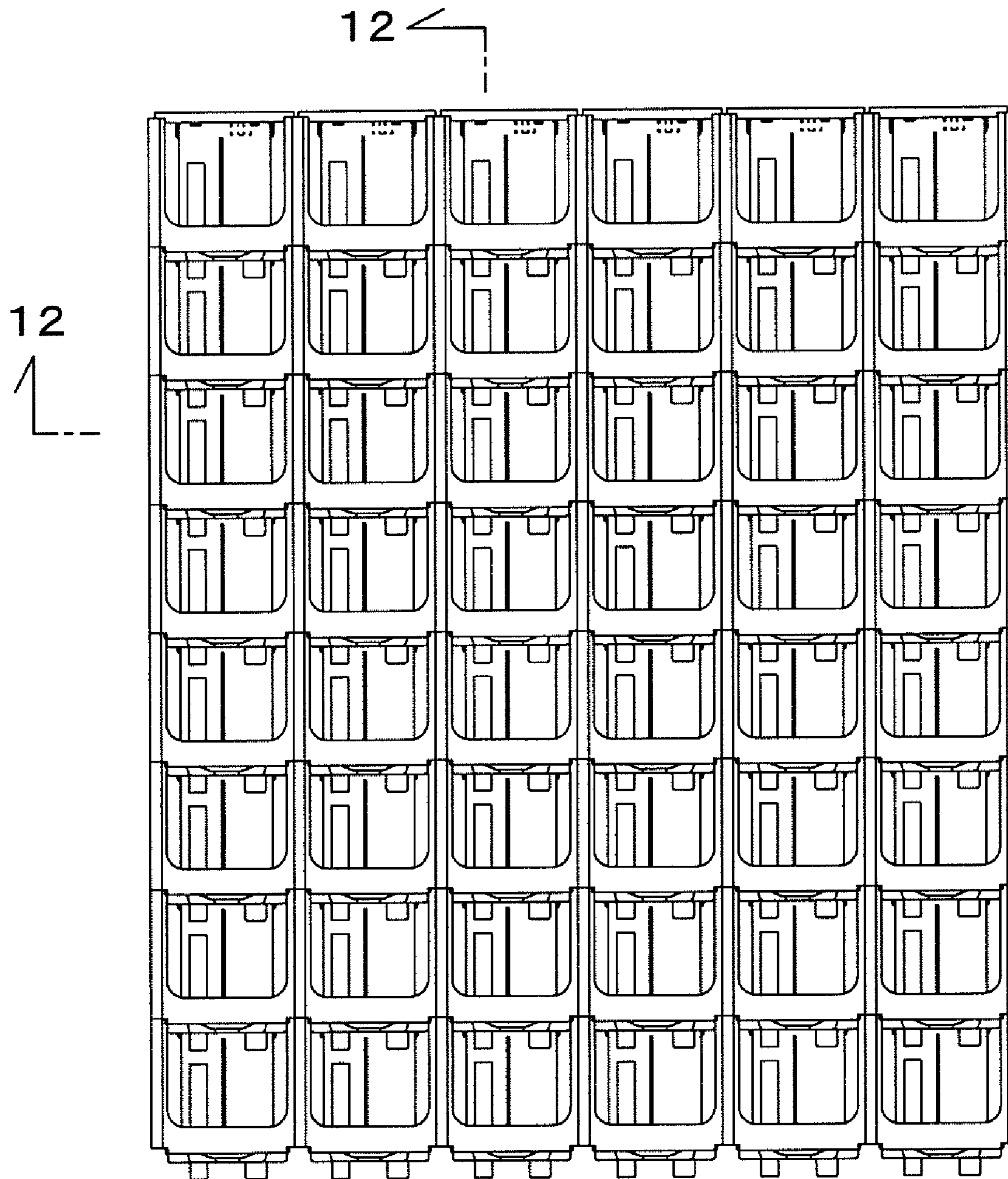


Fig. 9

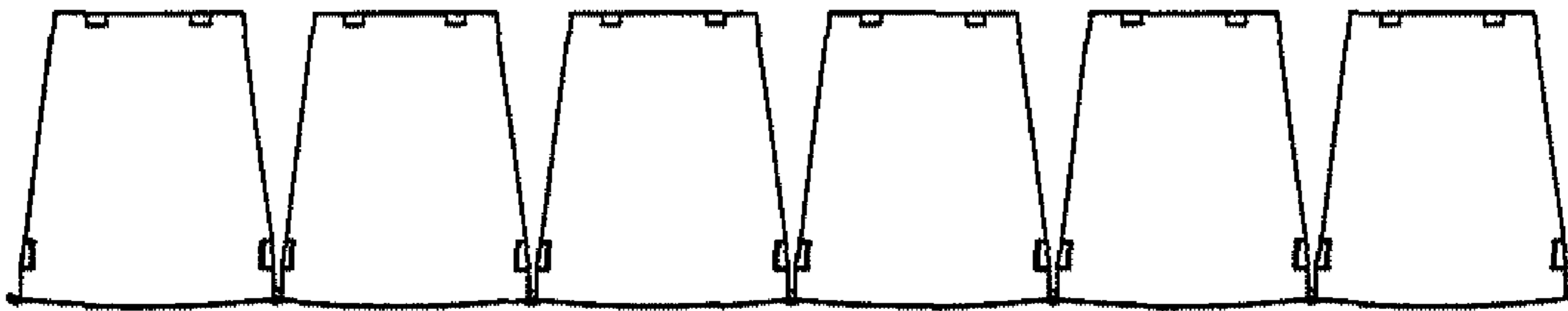


Fig. 10

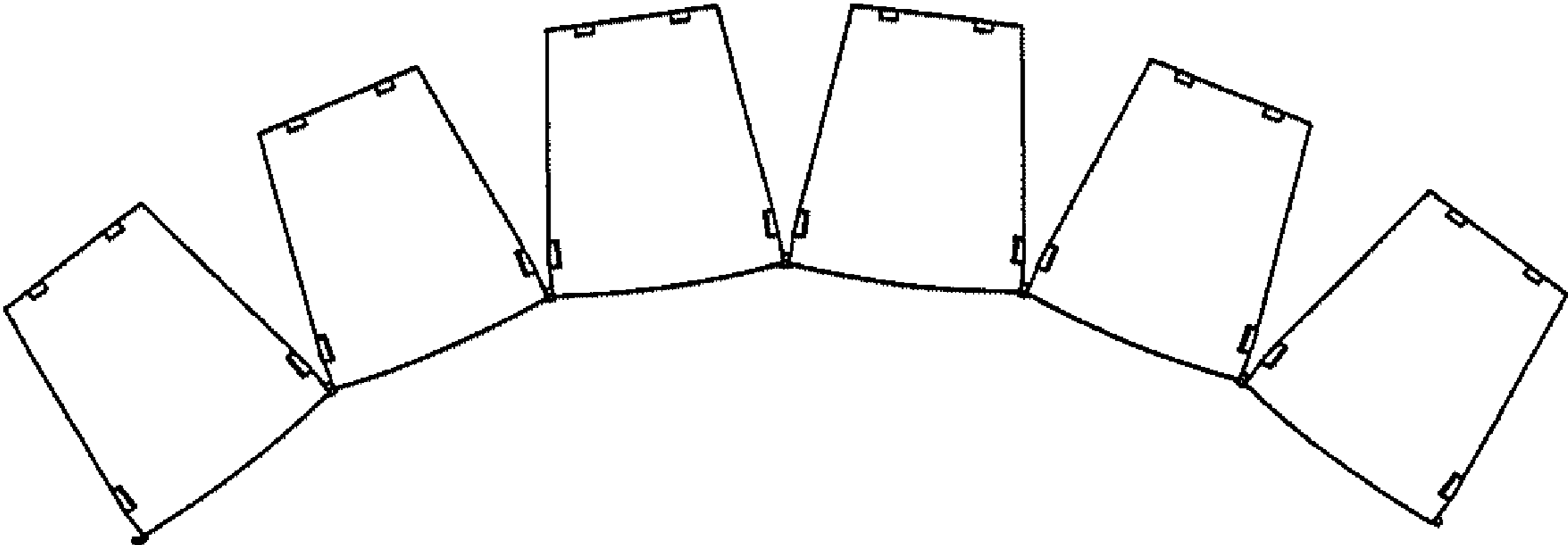


Fig. 11

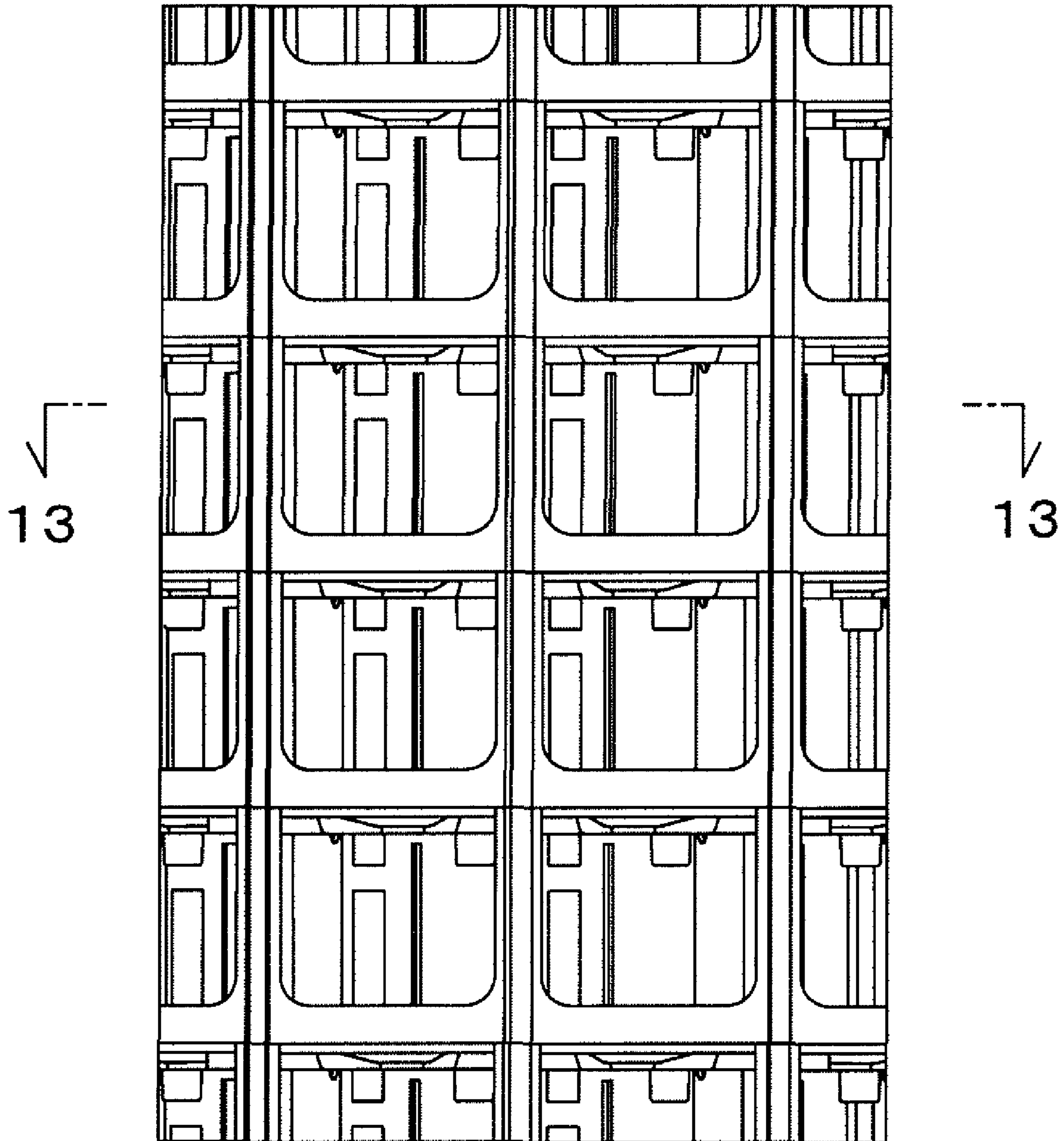
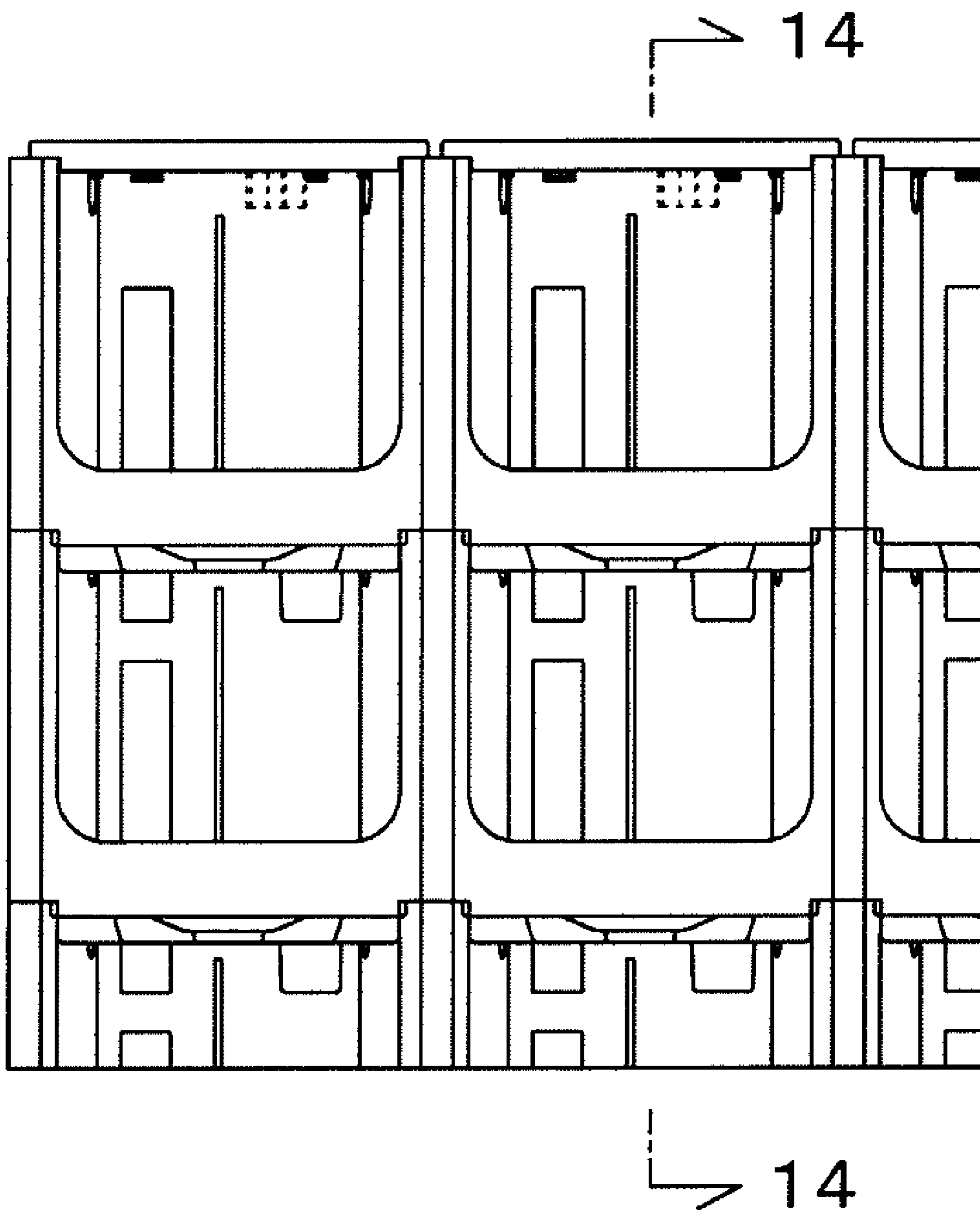
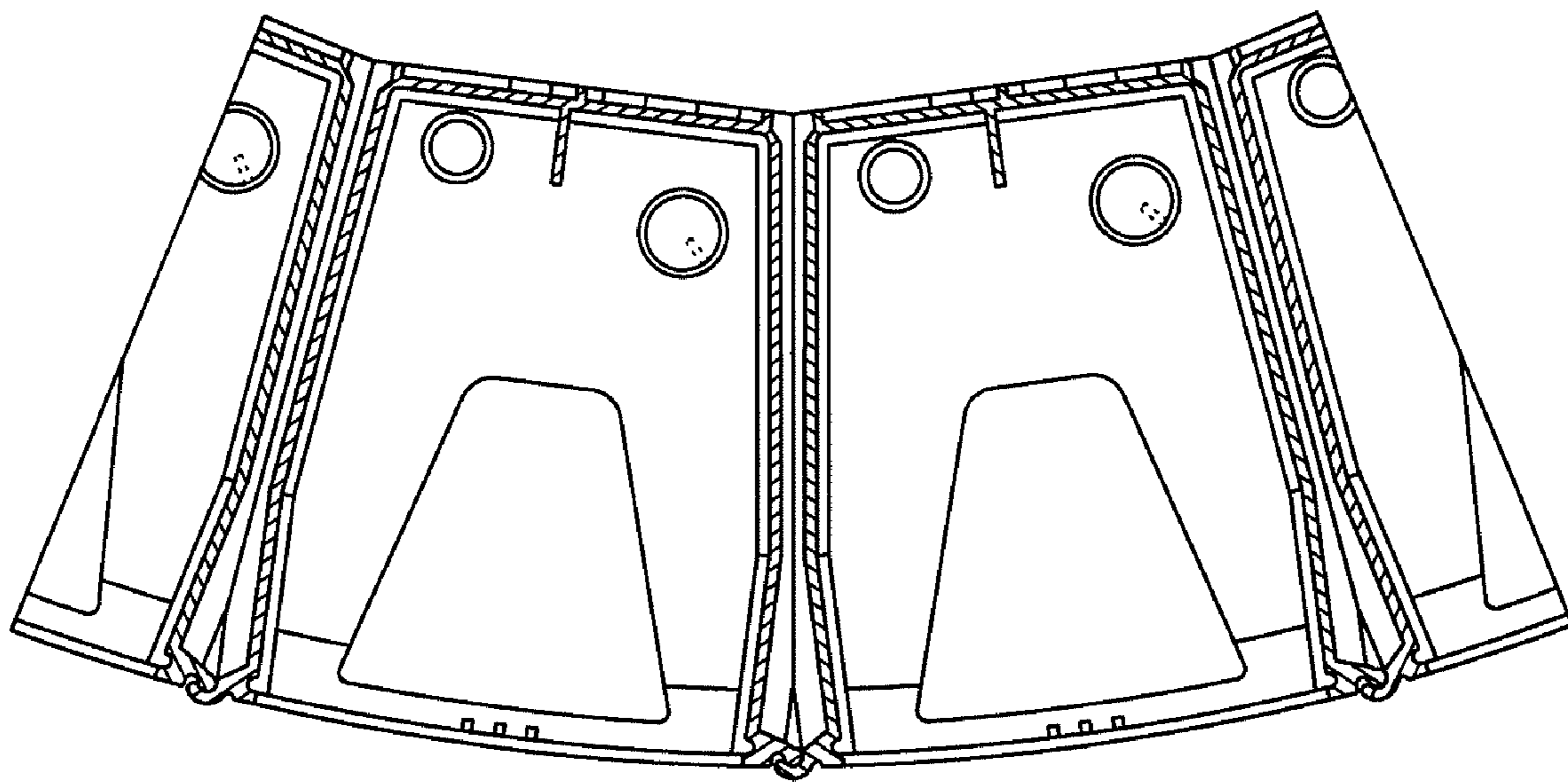


Fig. 12



F i g . 1 3



F i g . 1 4

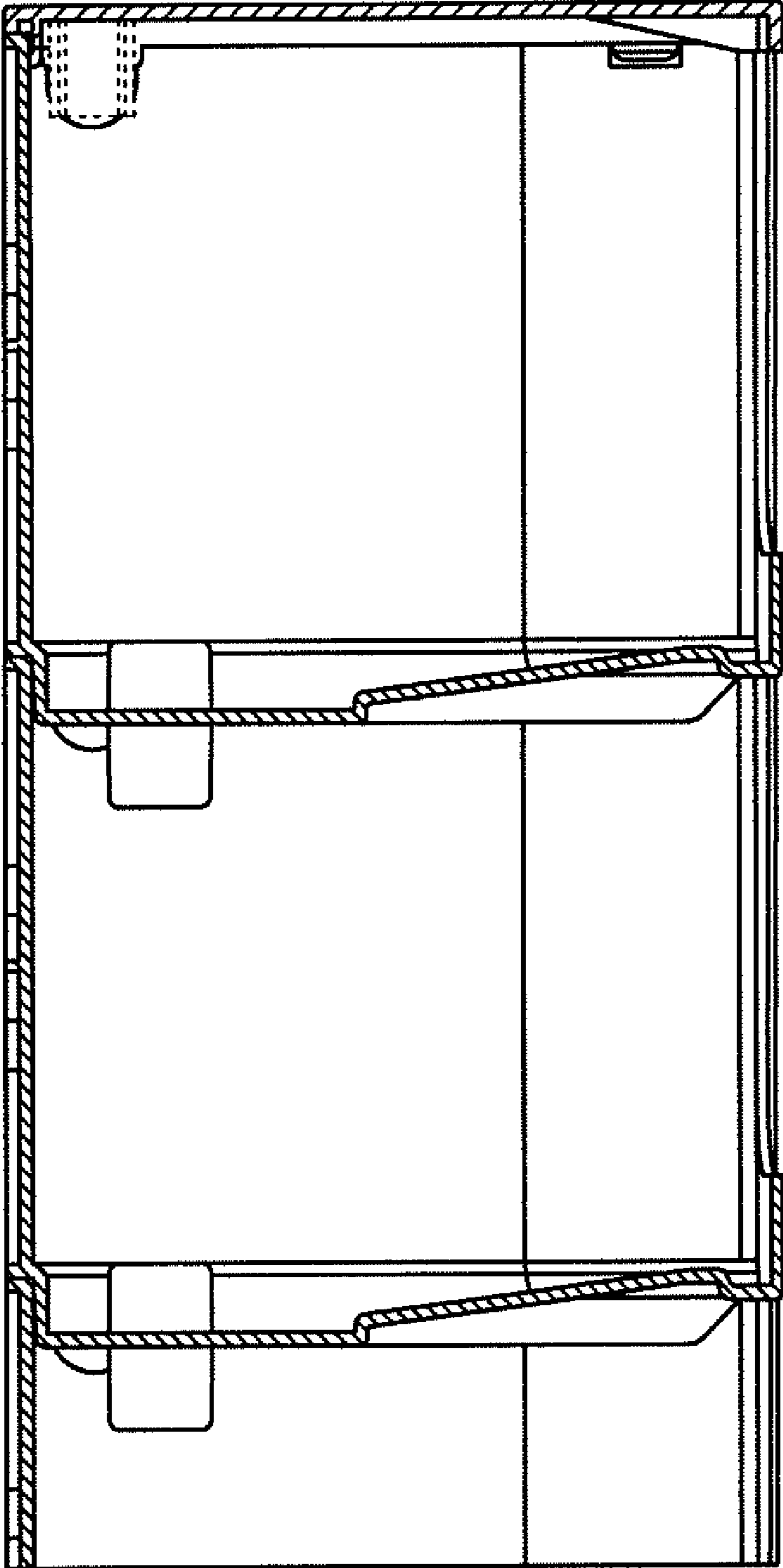


Fig. 15

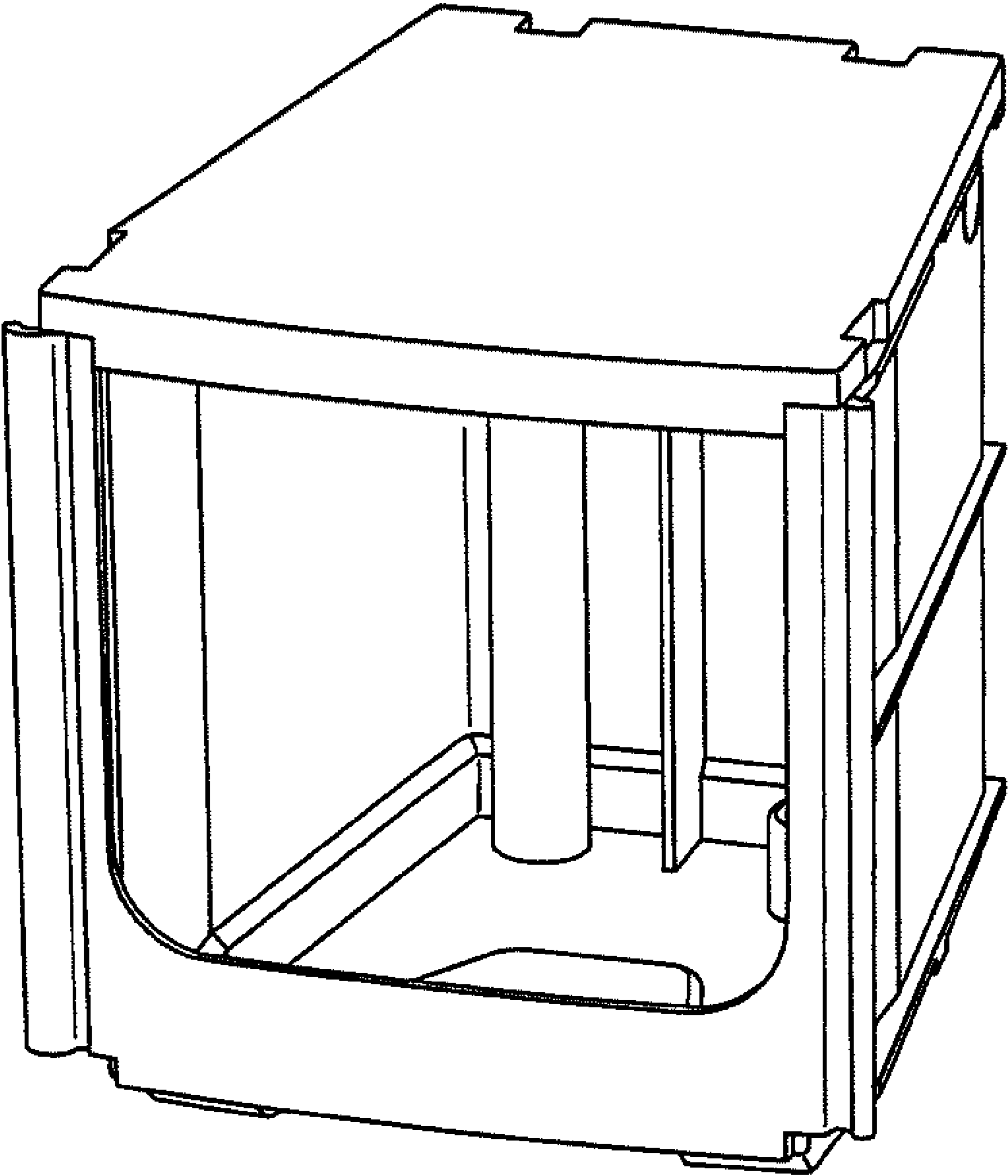
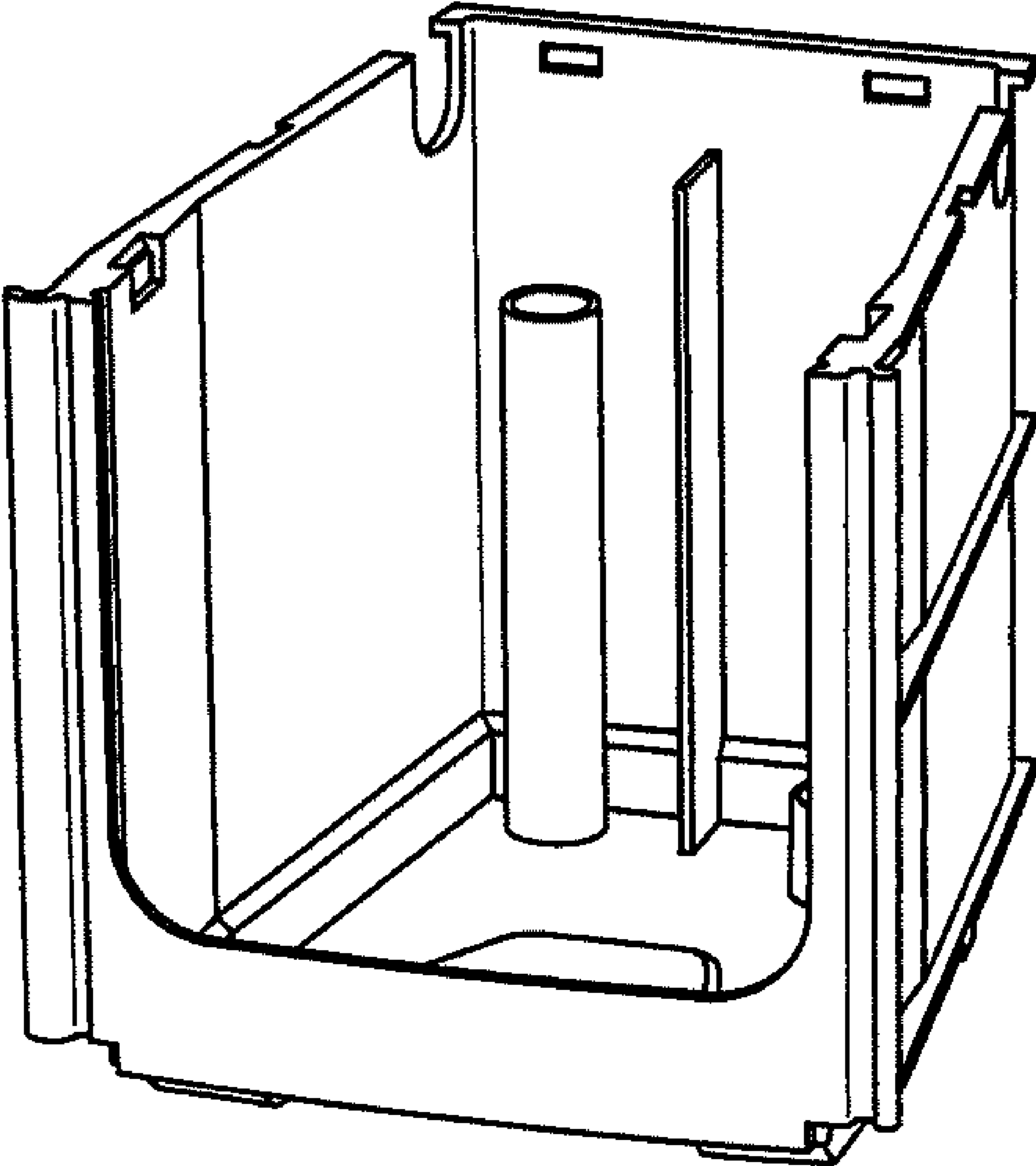
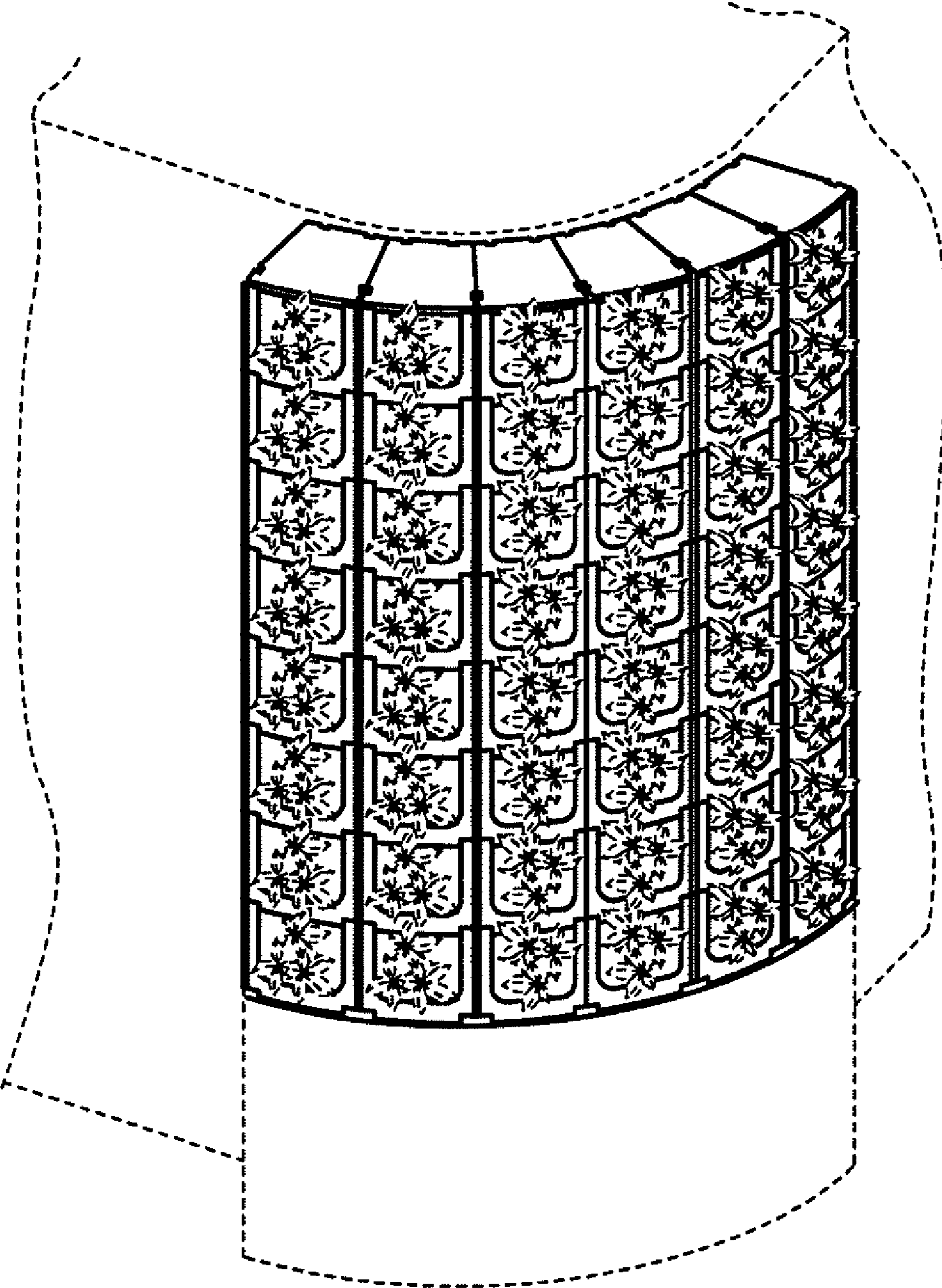


Fig. 16



F i g . 1 7



F i g . 1 8

