



US00D646191S

(12) **United States Design Patent**  
**Murphy**

(10) **Patent No.:** **US D646,191 S**

(45) **Date of Patent:** **\*\* Oct. 4, 2011**

(54) **ELASTIC BAND BRACELET HAVING STORAGE COMPARTMENT**

(76) Inventor: **Levell Murphy**, San Jose, CA (US)

(\*\*) Term: **14 Years**

(21) Appl. No.: **29/388,857**

(22) Filed: **Apr. 4, 2011**

(51) **LOC (9) Cl.** ..... **11-01**

(52) **U.S. Cl.** ..... **D11/2**

(58) **Field of Classification Search** ..... D11/1-25,  
D11/26-39; 63/12, 13, 14, 3, 3.1, 3.2, 4,  
63/5.1, 5.2, 6, 1.11

See application file for complete search history.

(56) **References Cited**

**U.S. PATENT DOCUMENTS**

1,352,863	A *	9/1920	Zeitler et al. ....	D11/4
3,010,627	A *	11/1961	Hoover .....	D11/2
3,660,916	A *	5/1972	McDermott et al. ....	D11/2
D279,671	S *	7/1985	Stanton .....	D11/2
D347,589	S *	6/1994	LaBate .....	D11/3
D483,912	S *	12/2003	Prince et al. ....	D11/26

D524,678	S *	7/2006	Fishman et al. ....	D11/2
D556,194	S *	11/2007	Rambosek et al. ....	D11/2
D564,327	S *	3/2008	Wu .....	D8/99
D571,684	S *	6/2008	Kim .....	D11/2
D635,421	S *	4/2011	Wegener et al. ....	D11/26

\* cited by examiner

*Primary Examiner* — Cathron Brooks

*Assistant Examiner* — Melanie Levy

(57) **CLAIM**

The ornamental design for an elastic band bracelet having a storage compartment, as shown and described.

**DESCRIPTION**

FIG. 1 is a left side elevational view of an elastic band bracelet having storage compartment;

FIG. 2 is a right side elevational view thereof;

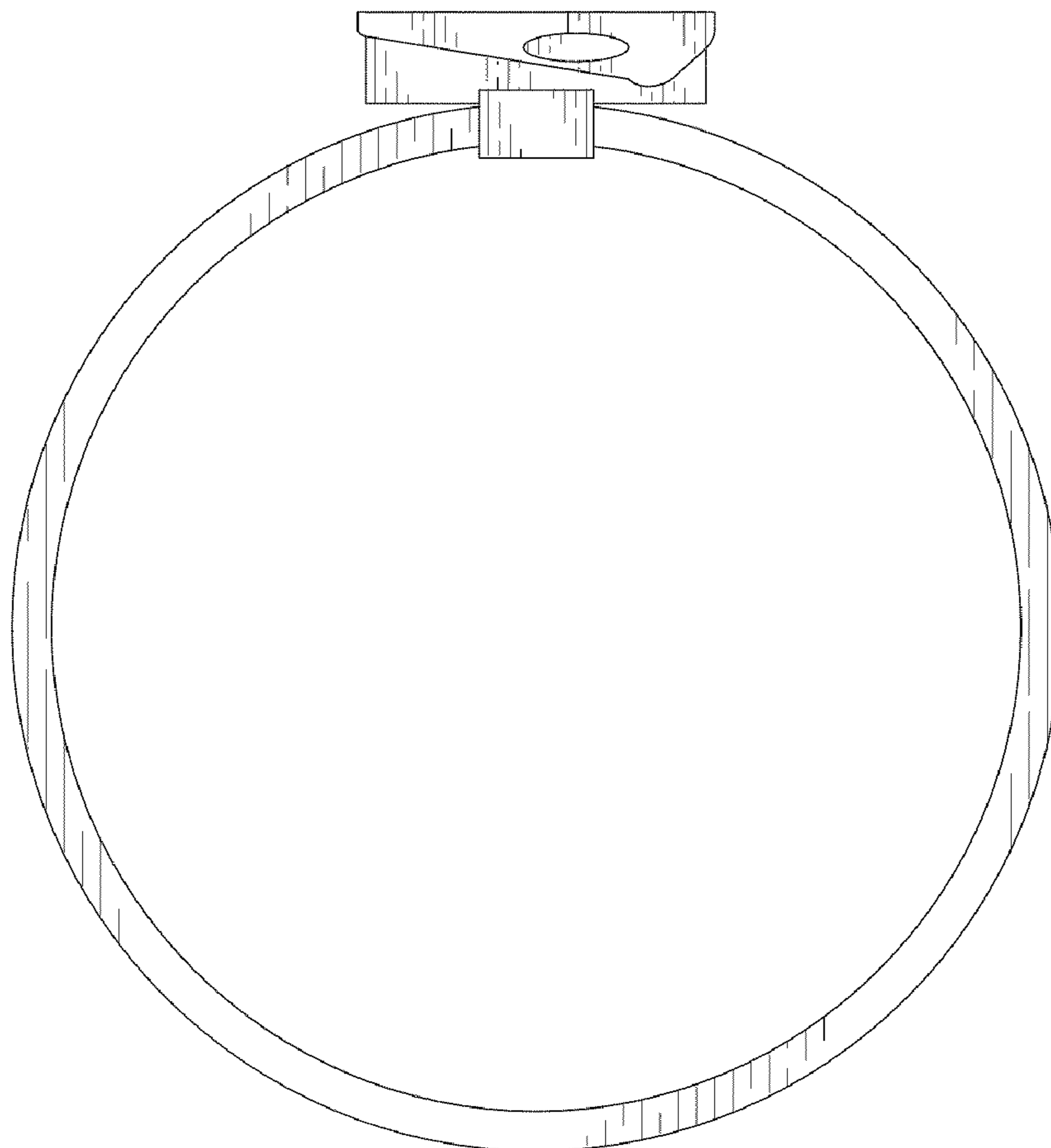
FIG. 3 is a top plan view thereof;

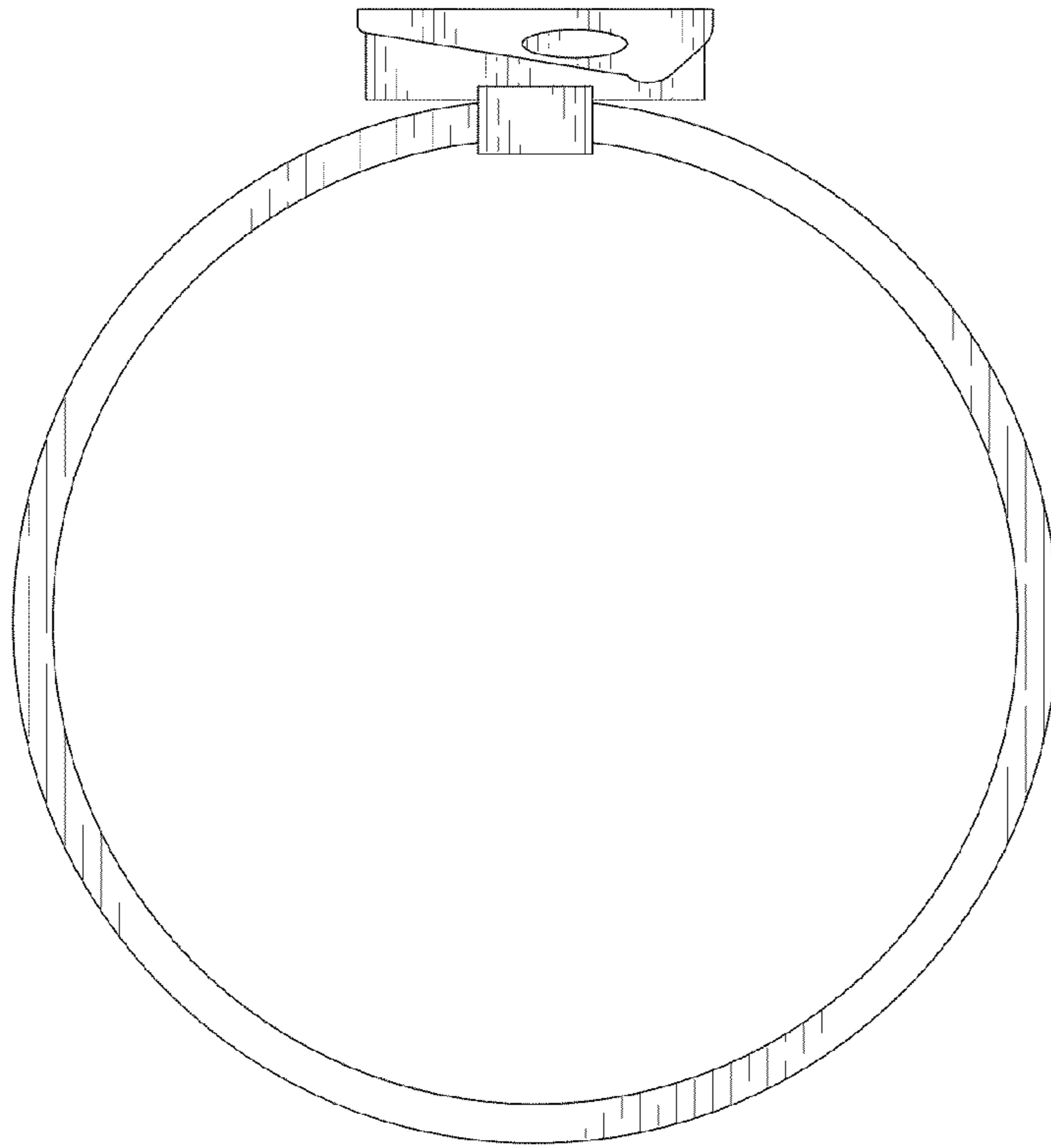
FIG. 4 is a bottom plan view thereof; and,

FIG. 5 is a left side perspective view thereof.

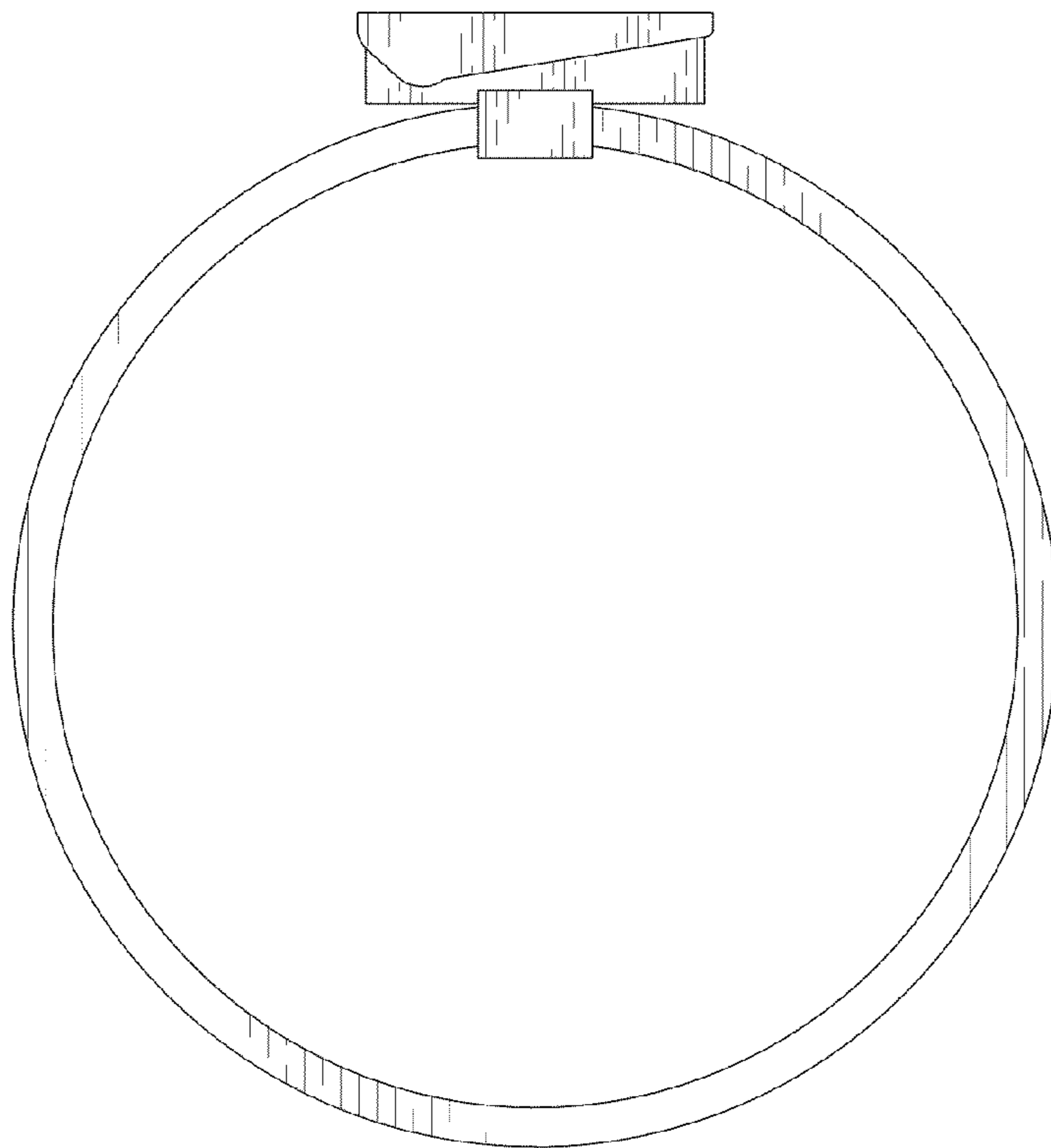
The broken lines shown in FIG. 5 represent environmental matter and form no part of the claimed design.

**1 Claim, 3 Drawing Sheets**

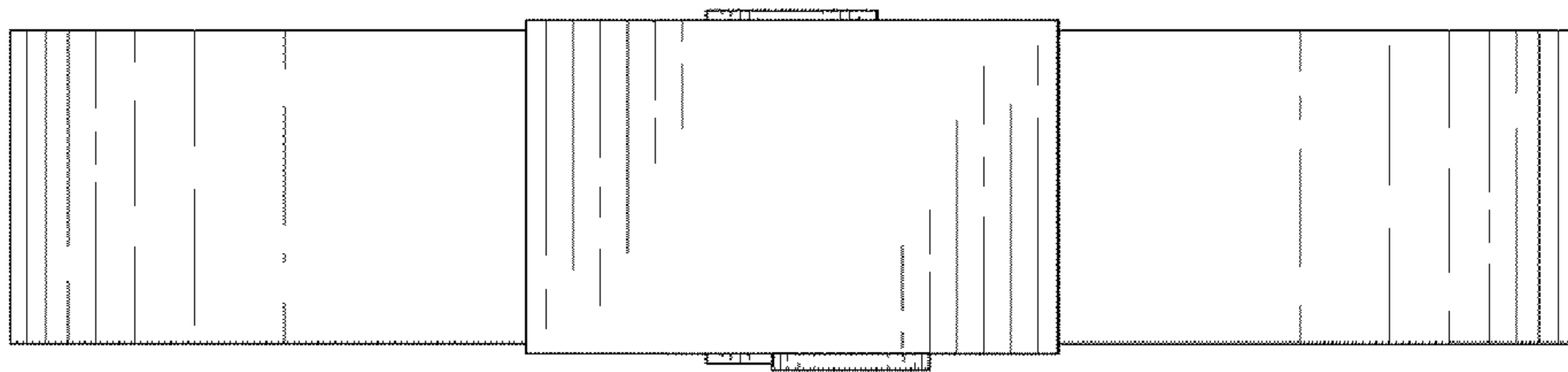




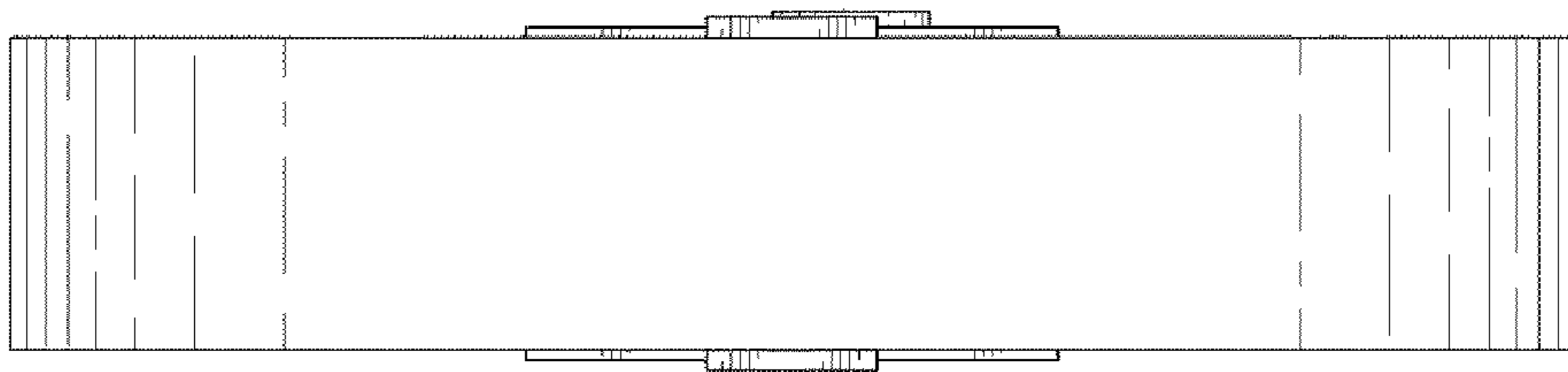
**FIG. 1**



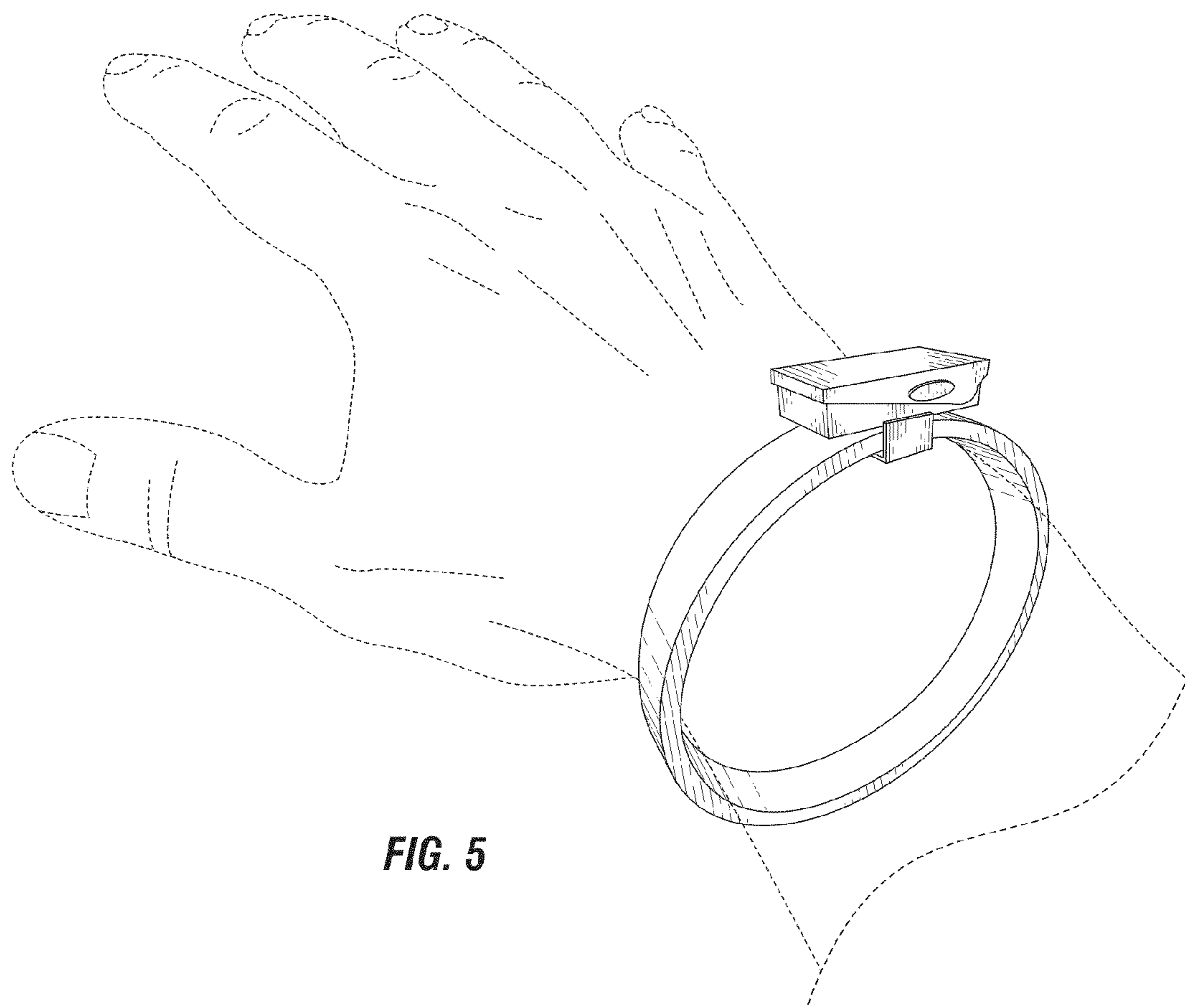
**FIG. 2**



**FIG. 3**



**FIG. 4**



**FIG. 5**