

US00D646186S

(12) **United States Design Patent**
Edgar

(10) **Patent No.:** **US D646,186 S**

(45) **Date of Patent:** **** Oct. 4, 2011**

(54) **VALUE THERMOSTAT**

(56) **References Cited**

(75) Inventor: **Jeffrey Steven Edgar**, St. Charles, MO (US)

U.S. PATENT DOCUMENTS

(73) Assignee: **Pro1 IAQ, Inc.**, Springfield, MO (US)

D582,800	S	*	12/2008	Comerford et al.	D10/50
D582,801	S	*	12/2008	Comerford et al.	D10/50
D582,802	S	*	12/2008	Branson et al.	D10/50
D582,803	S	*	12/2008	Comerford et al.	D10/50
D595,161	S	*	6/2009	Fisher et al.	D10/50
D602,382	S	*	10/2009	Kennedy et al.	D10/50

(**) Term: **14 Years**

* cited by examiner

(21) Appl. No.: **29/365,399**

Primary Examiner — Antoine D Davis

(22) Filed: **Jul. 8, 2010**

(74) *Attorney, Agent, or Firm* — Polsinelli Shughart, PC

(51) **LOC (9) Cl.** **10-04**

(57) **CLAIM**

(52) **U.S. Cl.** **D10/50**

The ornamental design for a value thermostat, as shown and described.

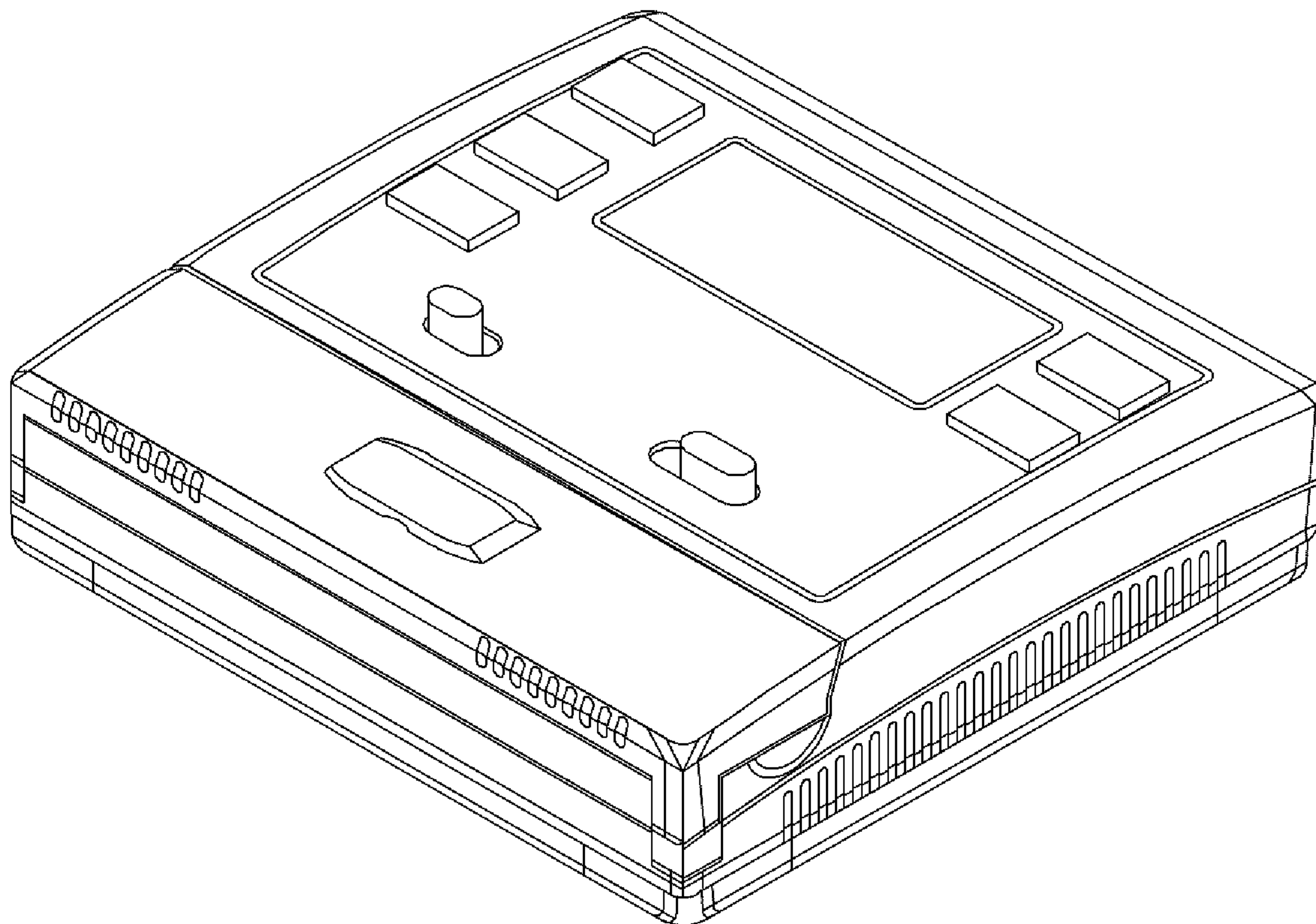
(58) **Field of Classification Search** D10/49-50;
D13/162; 55/270, 274, 279, DIG. 7, DIG. 34;
62/176.6, 125-130, 78, 180, 186; 73/23.2,
73/23.34, 31.01, 31.02, 431, 170.16-170.19,
73/170.21-170.25, 863.12, 29, 29.02, 335.01-335.14;
236/46 R, 47, 94, 44 C, 44 R, 49.3, 44 A,
236/96; 337/112, 327, 360; 340/602, 627,
340/632, 634; 361/346; 364/141, 146, 147,
364/188, 420, 557; 454/229, 239, 256, 257,
454/258; 700/18, 159, 181

DESCRIPTION

FIG. 1 is a perspective view of a value thermostat showing my new design;
FIG. 2 is a bottom plan view of the invention;
FIG. 3 is a top plan view of the invention;
FIG. 4 is a left side plan view of the invention;
FIG. 5 is a right side plan view of the invention;
FIG. 6 is a front elevation view of the invention; and,
FIG. 7 is a back elevation view of the invention.

See application file for complete search history.

1 Claim, 2 Drawing Sheets



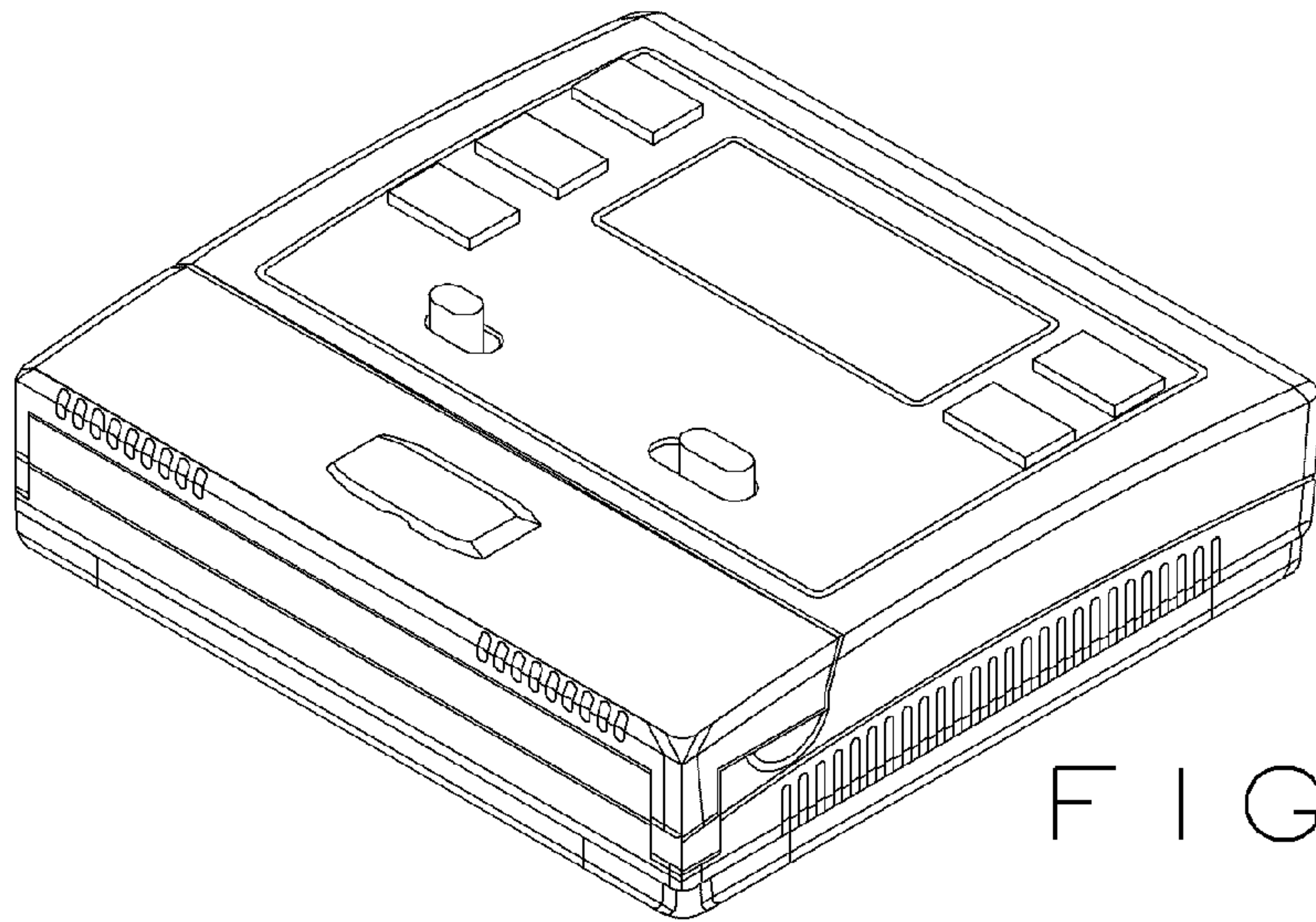


FIG. 1

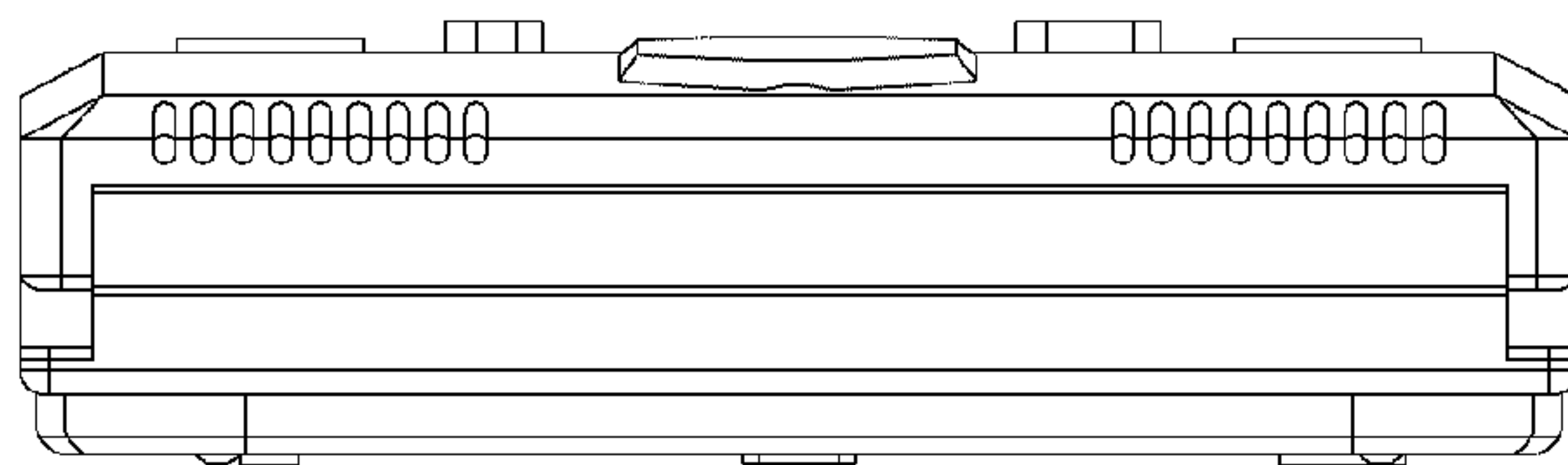


FIG. 2

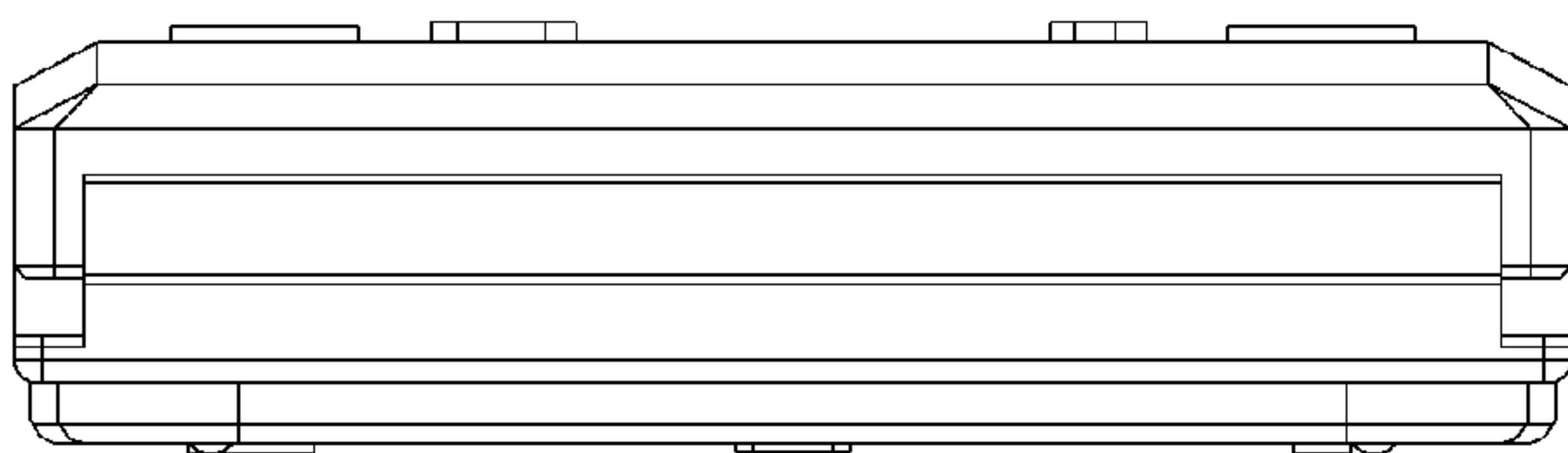


FIG. 3

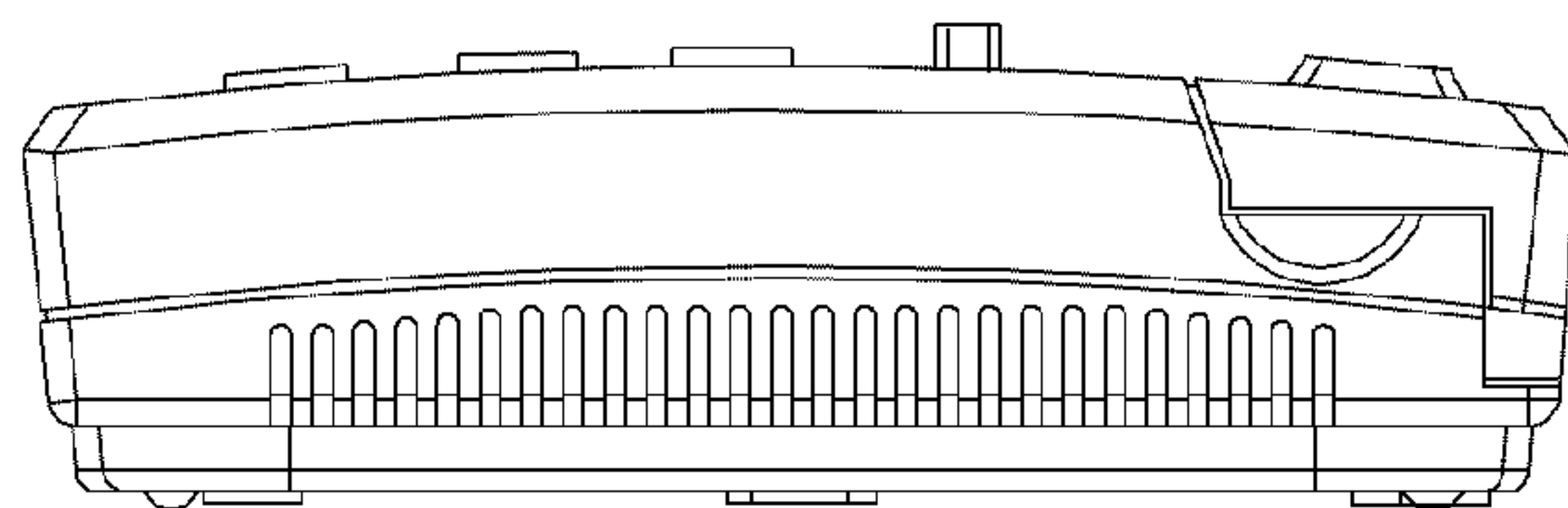


FIG. 4

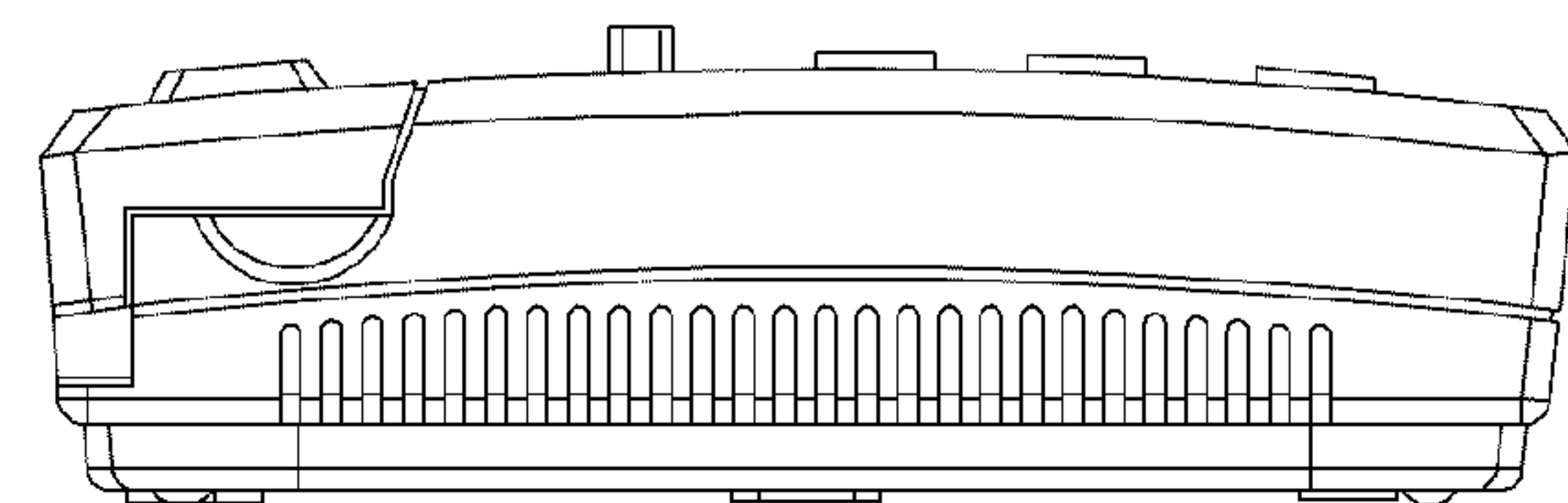


FIG. 5

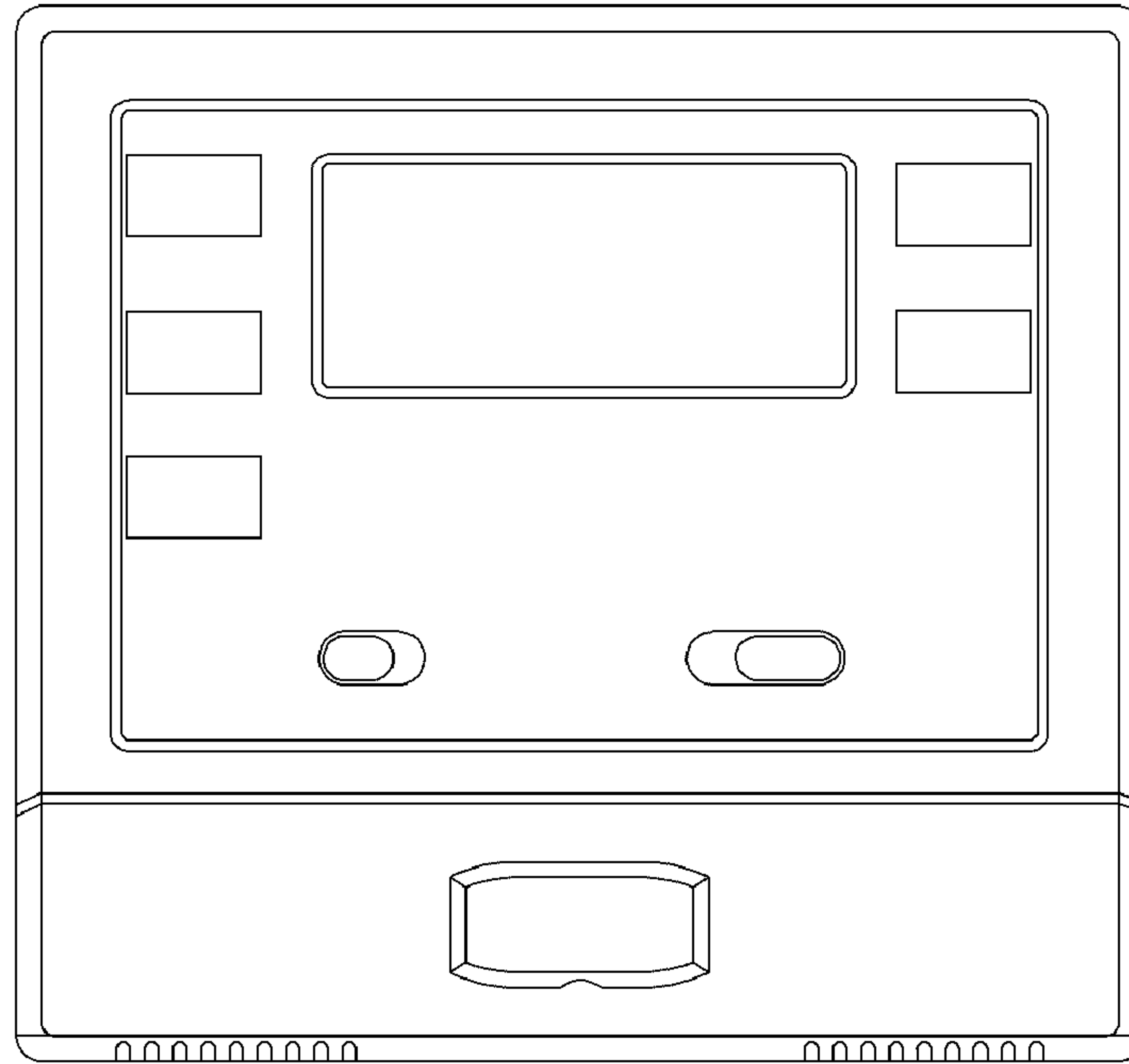


FIG. 6

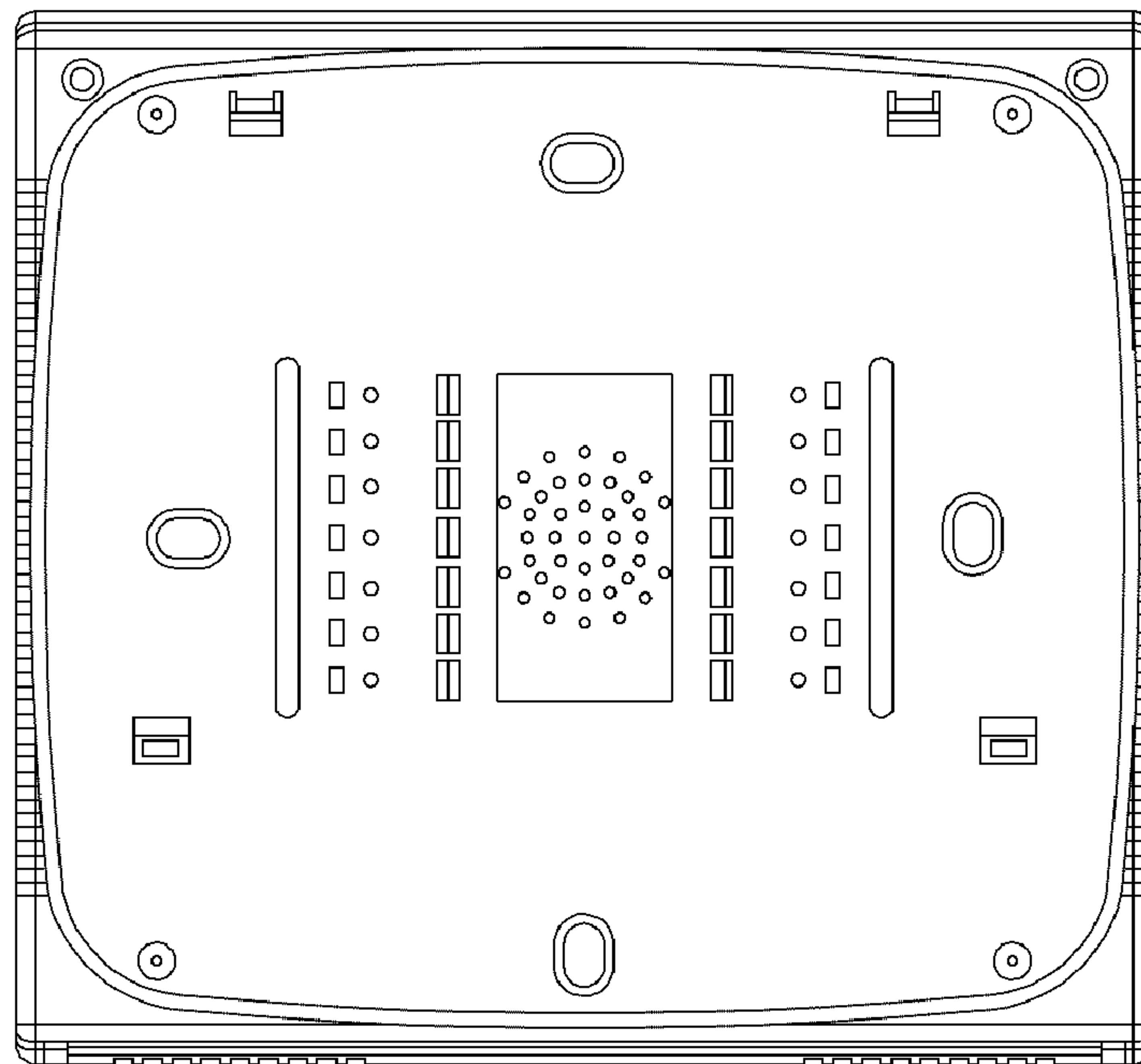


FIG. 7