



US00D646182S

(12) **United States Design Patent**
Clark et al.

(10) **Patent No.:** **US D646,182 S**
(45) **Date of Patent:** **** Oct. 4, 2011**

(54) **FLEXIBLE PACKAGE**

(75) Inventors: **James L. Clark**, Richmond, VA (US);
Robert T. Mitten, Glen Allen, VA (US);
Michelle Baculis, Midlothian, VA (US)

(73) Assignee: **Philip Morris USA Inc.**, Richmond, VA (US)

(**) Term: **14 Years**

(21) Appl. No.: **29/368,282**

(22) Filed: **Aug. 20, 2010**

Related U.S. Application Data

(63) Continuation of application No. 29/353,150, filed on Jan. 4, 2010, now abandoned.

(51) **LOC (9) Cl.** **09-05**

(52) **U.S. Cl.** **D9/710**

(58) **Field of Classification Search** D9/702-714,
D9/499, 443, 415, 414, 418, 430-435; D24/118,
D24/121; 229/200, 87.06; 426/106; 383/61.1,
383/42, 119, 108, 103, 106, 120, 127, 114,
383/47, 200, 203; 222/92, 107, 215; 220/666,
220/359.3; 206/811, 260

See application file for complete search history.

(56) **References Cited**

U.S. PATENT DOCUMENTS

D310,023	S	*	8/1990	Dembiczak et al.	D9/625
D347,166	S	*	5/1994	Ross et al.	D9/603
D522,374	S	*	6/2006	Nova et al.	D9/629
D578,014	S	*	10/2008	Friedland et al.	D9/707
D578,019	S	*	10/2008	Friedland et al.	D9/707
D583,679	S	*	12/2008	Friedland et al.	D9/707
D621,126	S	*	8/2010	Haro et al.	D1/106
D623,536	S	*	9/2010	Bohmke	D9/707
D632,568	S	*	2/2011	Caldwell et al.	D9/435

* cited by examiner

Primary Examiner — Ian Simmons

Assistant Examiner — Abraham Bahta

(74) *Attorney, Agent, or Firm* — Buchanan Ingersoll & Rooney PC

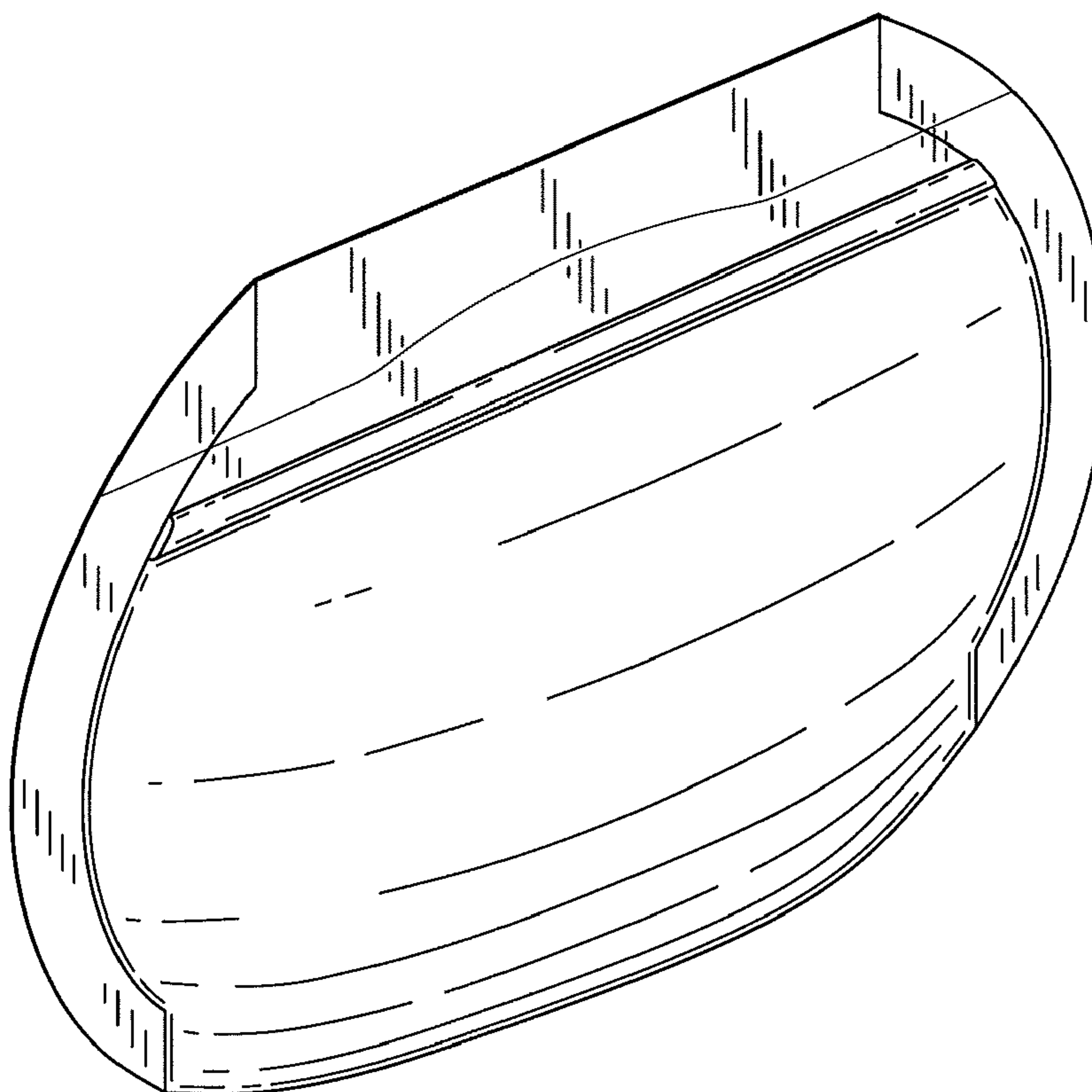
(57) **CLAIM**

The ornamental design for a flexible package, as shown and described.

DESCRIPTION

FIG. 1 is a front perspective view of a flexible package showing our new design;
FIG. 2 is a rear, bottom perspective view thereof;
FIG. 3 is a front elevational view thereof.
FIG. 4 is a right side elevational view thereof, the other side being a mirror image thereof.
FIG. 5 is a top plan view thereof; and,
FIG. 6 is a bottom plan view thereof.

1 Claim, 3 Drawing Sheets



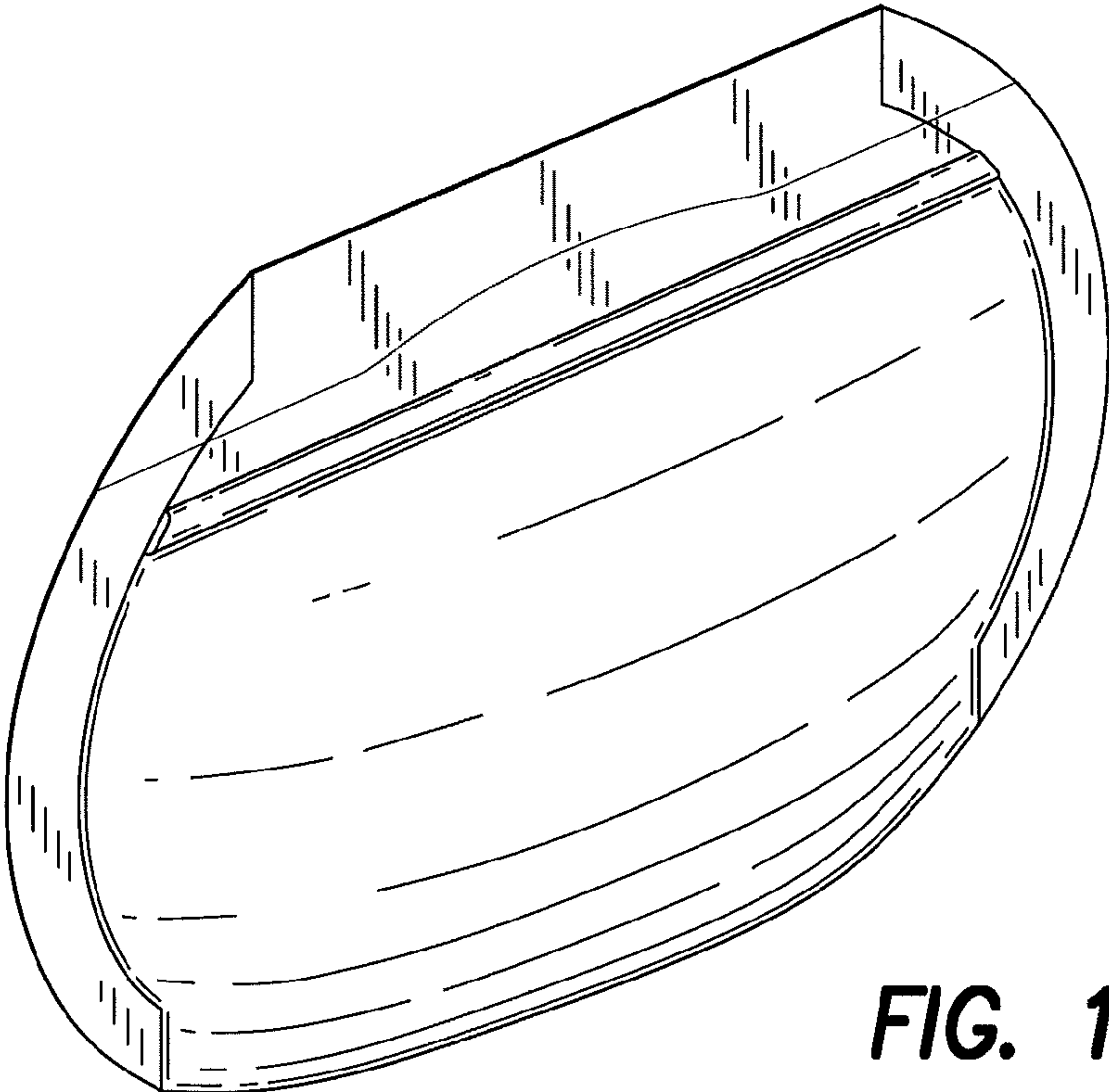


FIG. 1

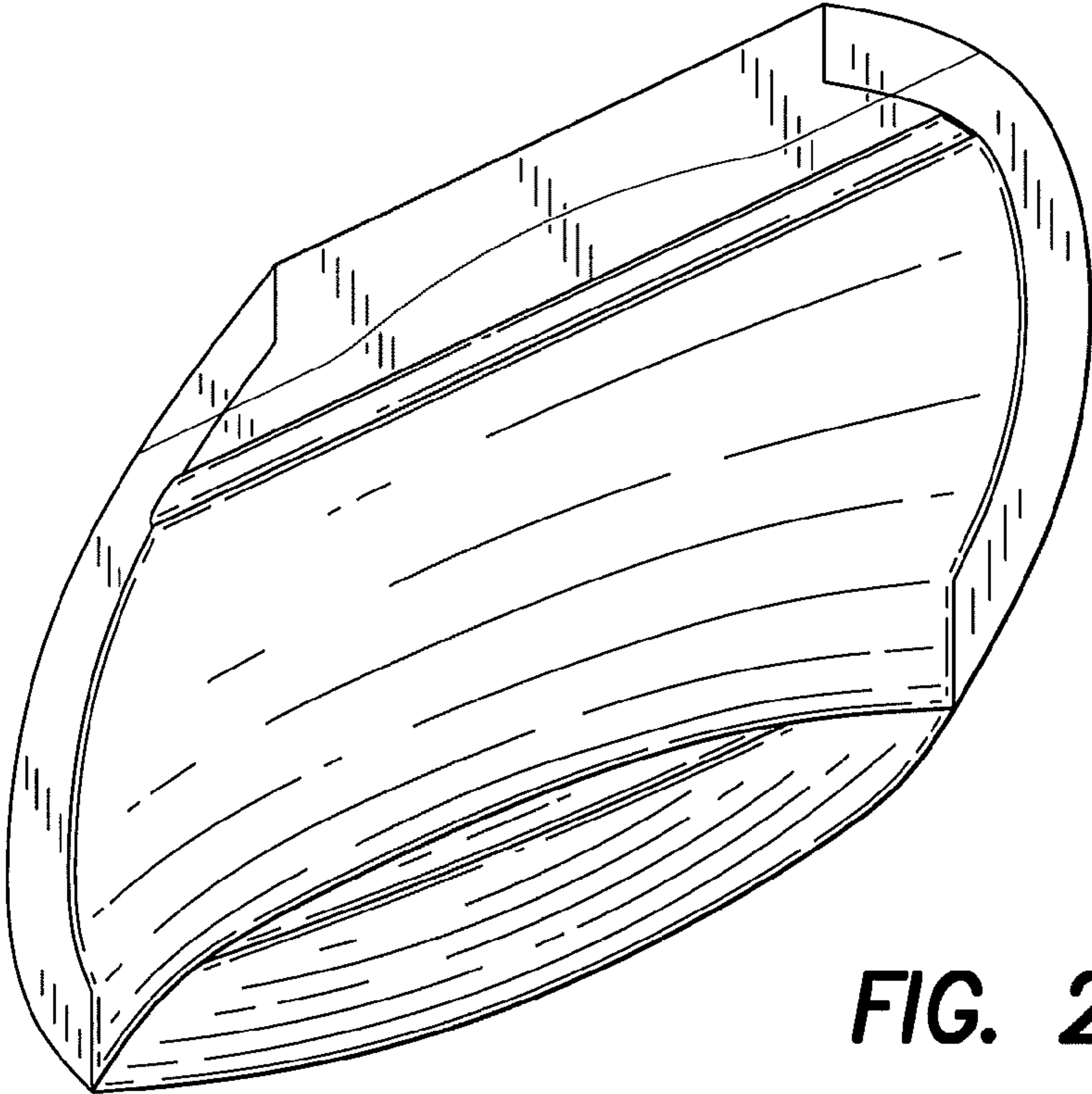


FIG. 2

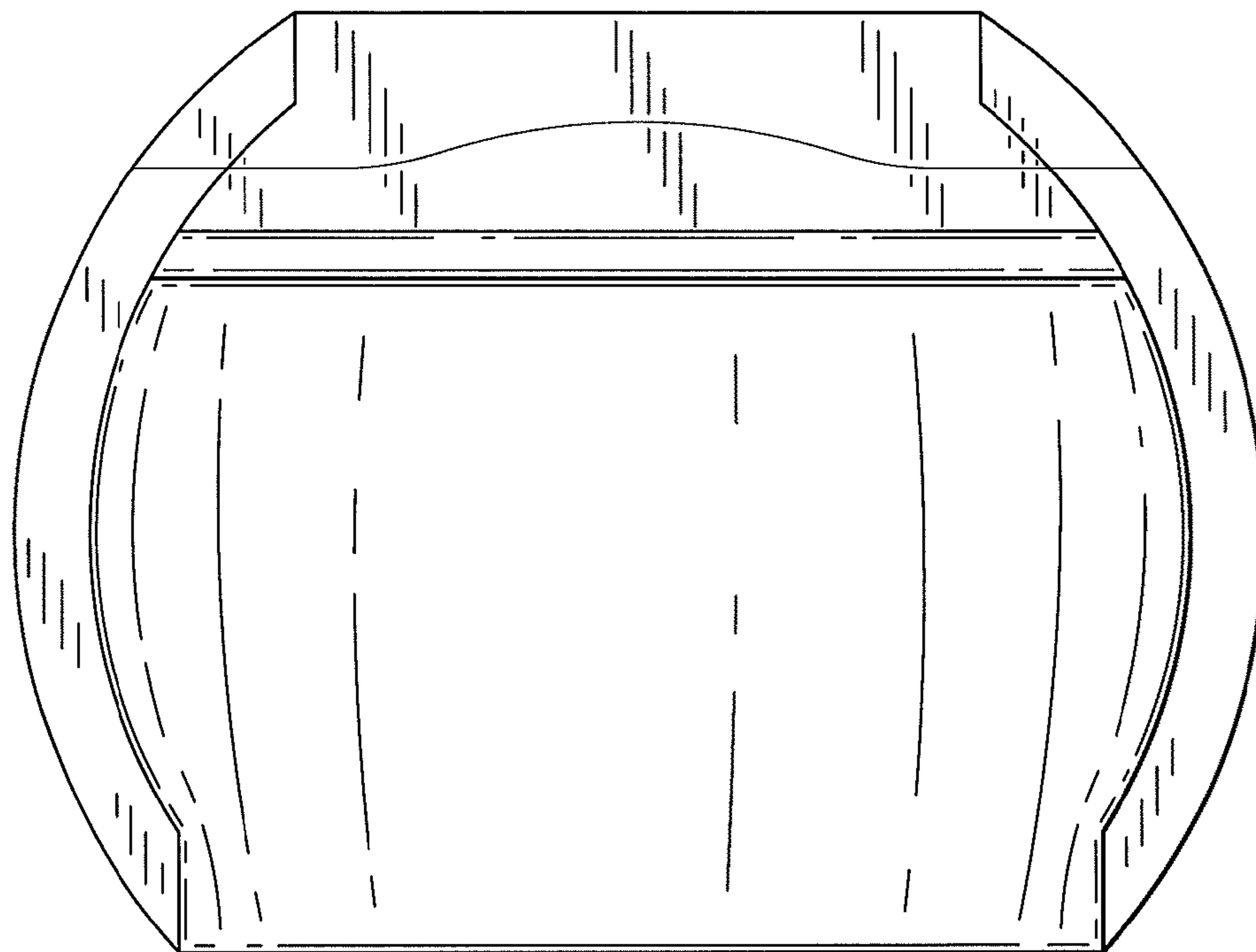


FIG. 3

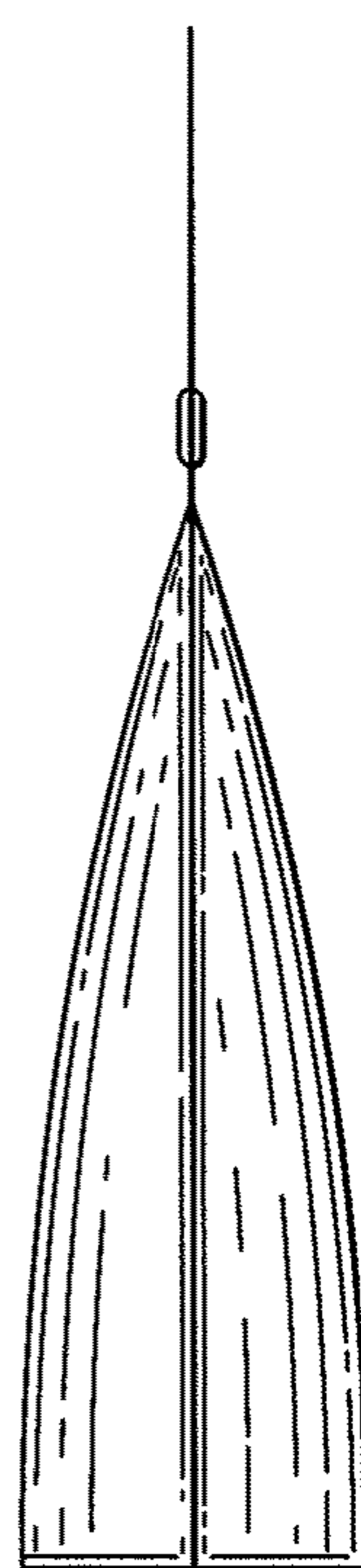


FIG. 4

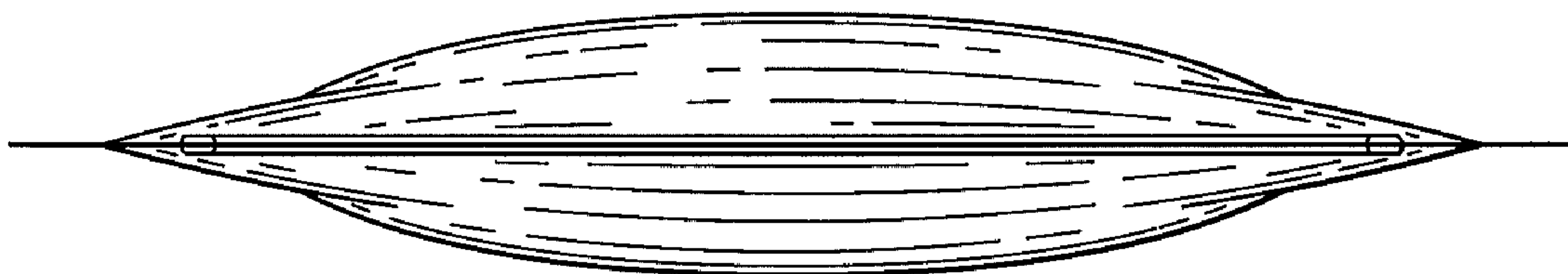


FIG. 5

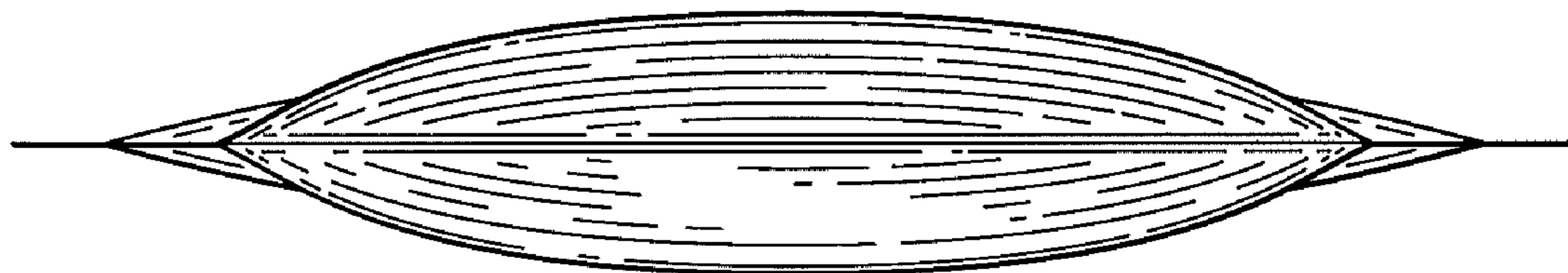


FIG. 6