



US00D646181S

(12) **United States Design Patent**
Domingues et al.

(10) **Patent No.:** **US D646,181 S**

(45) **Date of Patent:** **** *Oct. 4, 2011**

(54) **PACKAGE FOR A DOUGH PRODUCT**

(75) Inventors: **David J. Domingues**, Plymouth, MN (US); **Susan Hall**, New Hope, MN (US); **David A. Kirk**, Coon Rapids, MN (US); **Scott Kackman**, New Hope, MN (US)

(73) Assignee: **General Mills Marketing, Inc.**, Minneapolis, MN (US)

(**) Term: **14 Years**

(21) Appl. No.: **29/364,991**

(22) Filed: **Jul. 1, 2010**

Related U.S. Application Data

(62) Division of application No. 29/310,603, filed on Aug. 28, 2008, now Pat. No. Des. 621,278.

(51) **LOC (9) Cl.** **09-05**

(52) **U.S. Cl.** **D9/702**

(58) **Field of Classification Search** D9/702,
D9/416, 425, 418, 737, 730, 732, 734, 757,
D9/759; 206/223, 438, 484, 499, 525, 526,
206/528, 532, 820, 830; 426/428; 229/406,
229/905, 906, 245, 927, 125.015, 123.1,
229/123.2

See application file for complete search history.

(56) **References Cited**

U.S. PATENT DOCUMENTS

1,811,772	A	6/1931	Willoughby	
3,385,503	A	5/1968	Stump	
D211,448	S *	6/1968	Selferth et al.	D9/415
D211,449	S *	6/1968	Selferth et al.	D9/415
3,510,050	A	5/1970	Culley et al.	
3,712,534	A	1/1973	Fienup et al.	
3,851,757	A	12/1974	Turpin	
D349,456	S *	8/1994	Wilson	D9/737
6,054,698	A	4/2000	Mast	
6,109,470	A	8/2000	Antal, Sr. et al.	
6,214,392	B1	9/2000	Heisler et al.	
6,306,472	B1	10/2001	Buelow	

6,602,529	B1	8/2003	Lonergan et al.	
D560,490	S *	1/2008	Kirk et al.	D9/732
D579,768	S *	11/2008	Kirk et al.	D9/416

(Continued)

FOREIGN PATENT DOCUMENTS

WO 99/054120 10/1999

(Continued)

Primary Examiner — Ian Simmons

Assistant Examiner — Abraham Bahta

(74) *Attorney, Agent, or Firm* — Arlene L. Hornilla; Daniel C. Schulte

(57) **CLAIM**

The ornamental design for a package for a dough product, as shown and described.

DESCRIPTION

FIG. 1 is a perspective view of a package for a dough product showing our new design;

FIG. 2 is a front view of the package for a dough product of FIG. 1;

FIG. 3 is a top view of the package for a dough product of FIG. 1;

FIG. 4 is a bottom view of the package for a dough product of FIG. 1;

FIG. 5 is a side view of the package for a dough product of FIG. 1;

FIG. 6 is a perspective view of a second embodiment of a package for a dough product of the present design;

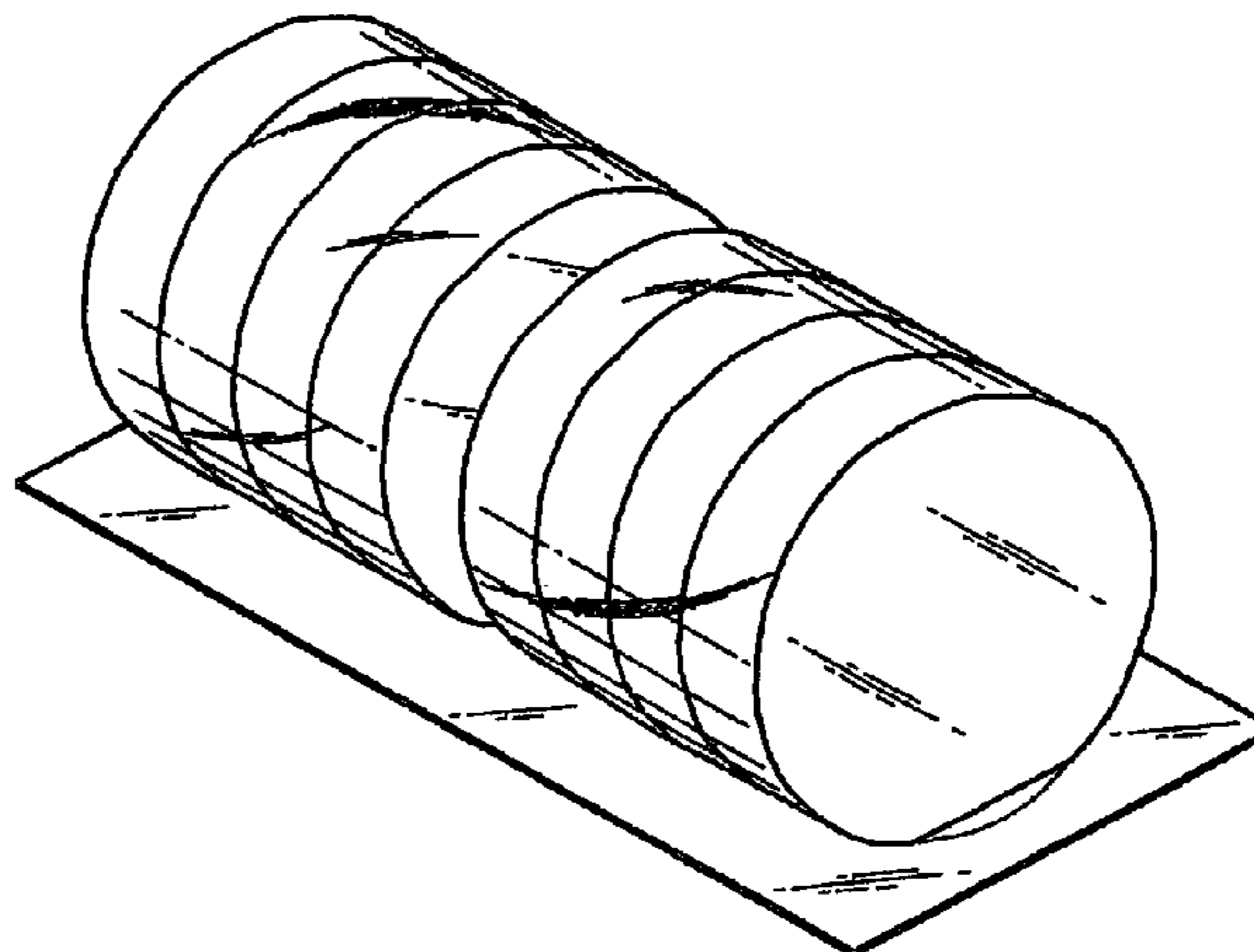
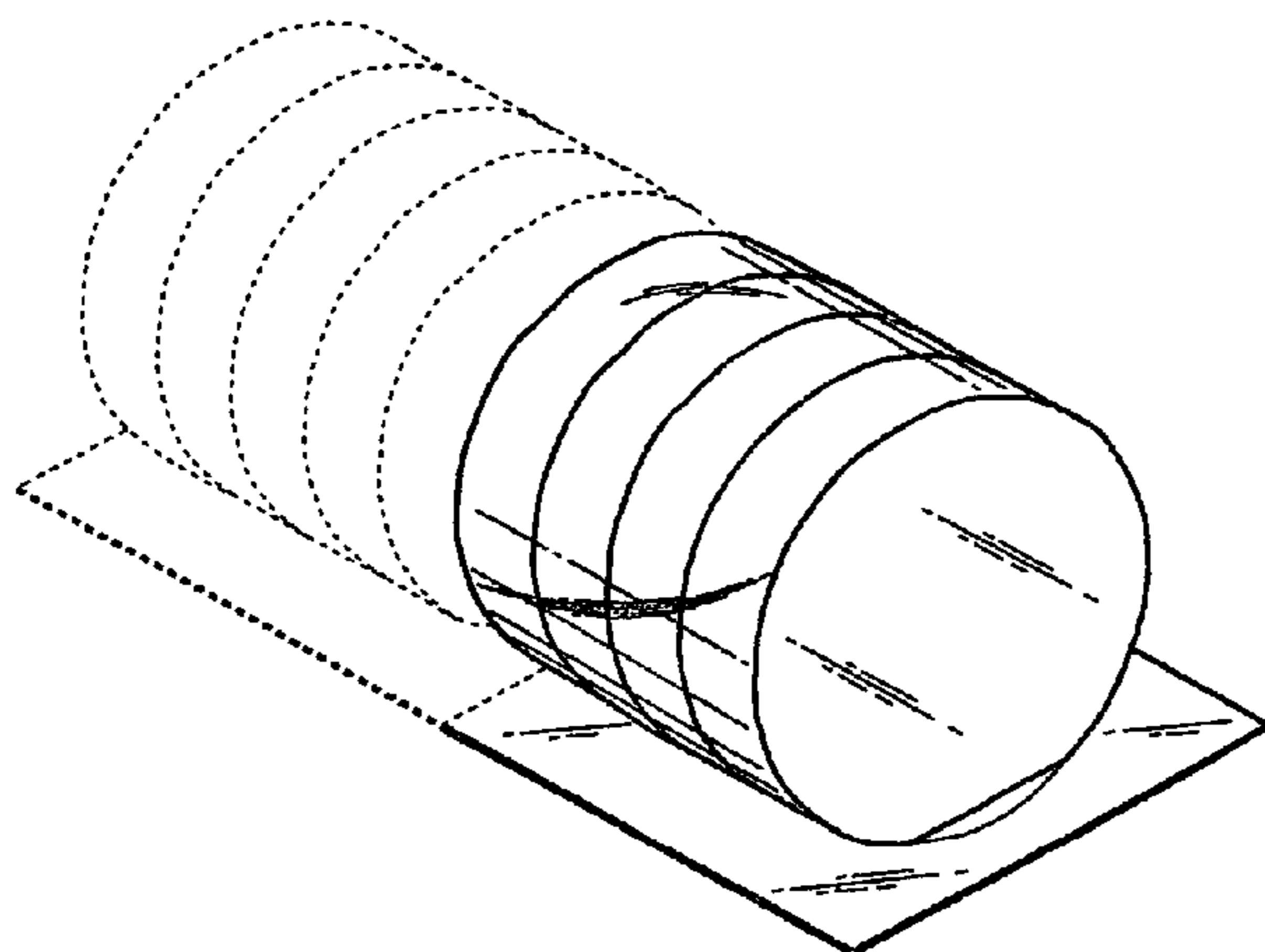
FIG. 7 is a front view of the package for a dough product of FIG. 6;

FIG. 8 is a top view of the package for a dough product of FIG. 6;

FIG. 9 is a bottom view of the package for a dough product of FIG. 6; and,

FIG. 10 is a side view of the package for a dough product of FIG. 6.

1 Claim, 4 Drawing Sheets



US D646,181 S

Page 2

U.S. PATENT DOCUMENTS

D584,944	S	1/2009	Kirk et al.	
D590,246	S	* 4/2009	Kirk et al.	D9/732
D610,464	S	2/2010	Domingues et al.	
D610,465	S	2/2010	Domingues et al.	
D619,888	S	7/2010	Domingues et al.	
D621,278	S	8/2010	Domingues et al.	
2004/0086601	A1	5/2004	Ross et al.	
2005/0079252	A1	4/2005	Kendig et al.	
2005/0271773	A1	12/2005	Domingues	

2006/0263494	A1	11/2006	Geng et al.
2007/0080078	A1	4/2007	Hansen et al.
2007/0087212	A1	4/2007	Iyengar et al.
2008/0193612	A1	8/2008	Domingues et al.

FOREIGN PATENT DOCUMENTS

WO	2006/007239	1/2006
WO	2007/021665	2/2007
WO	2008/008804	1/2008

* cited by examiner

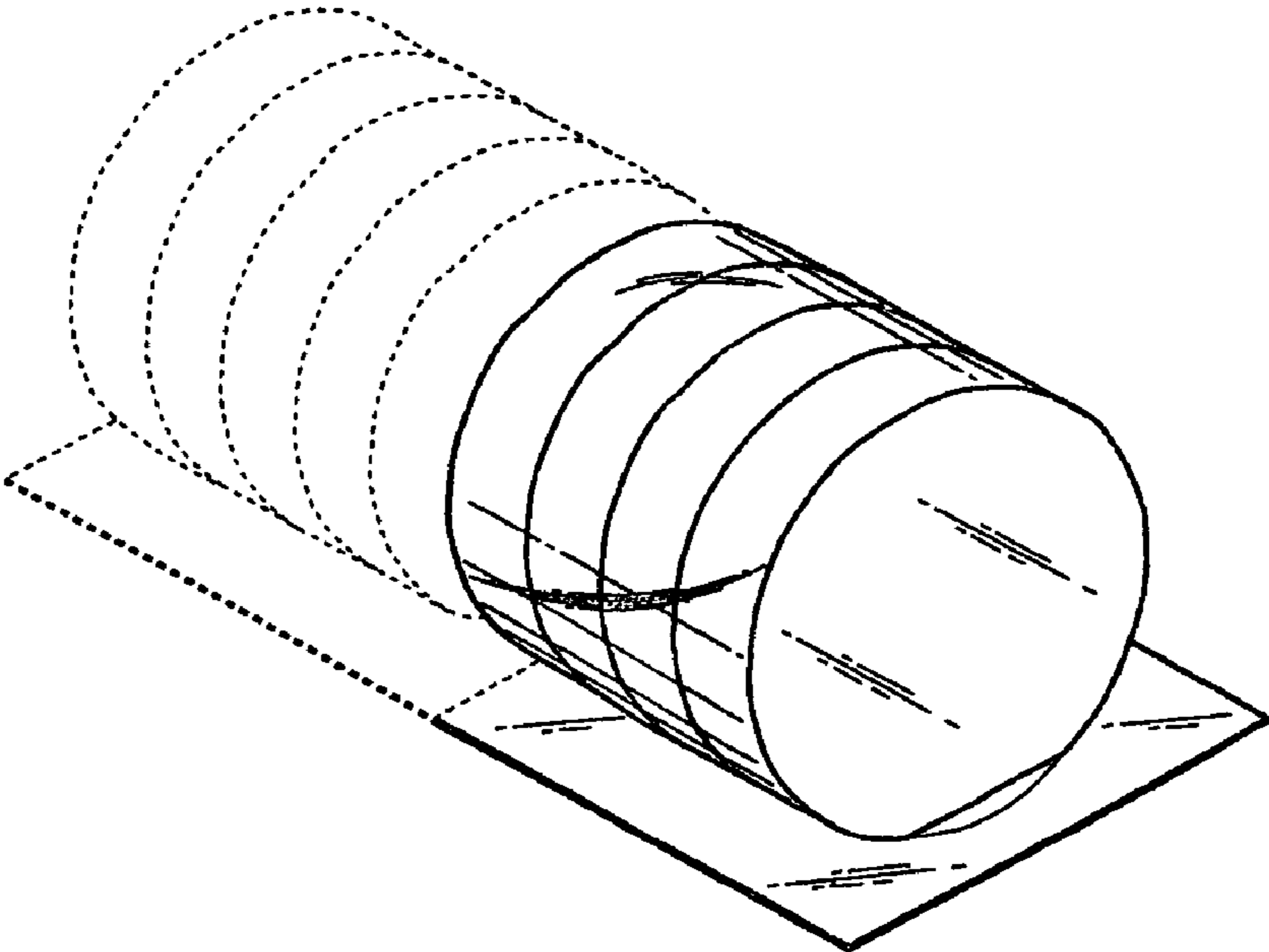


Fig. 1

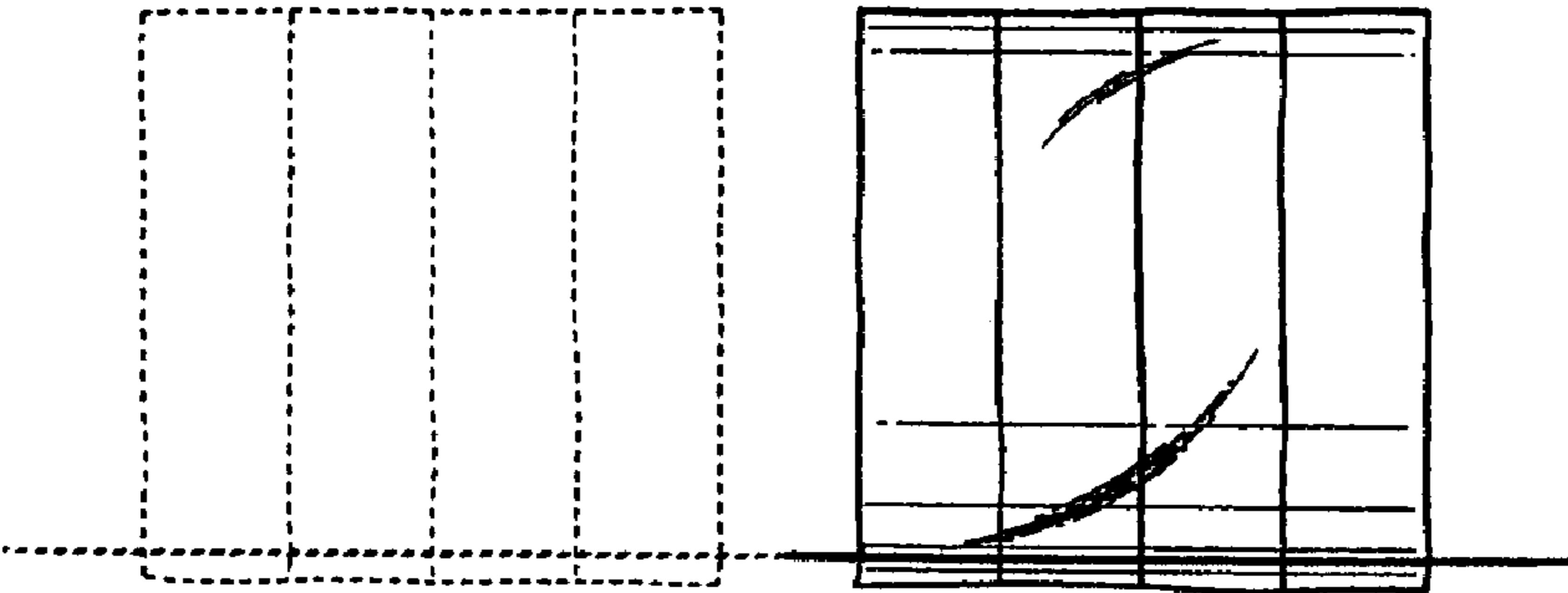


Fig. 2

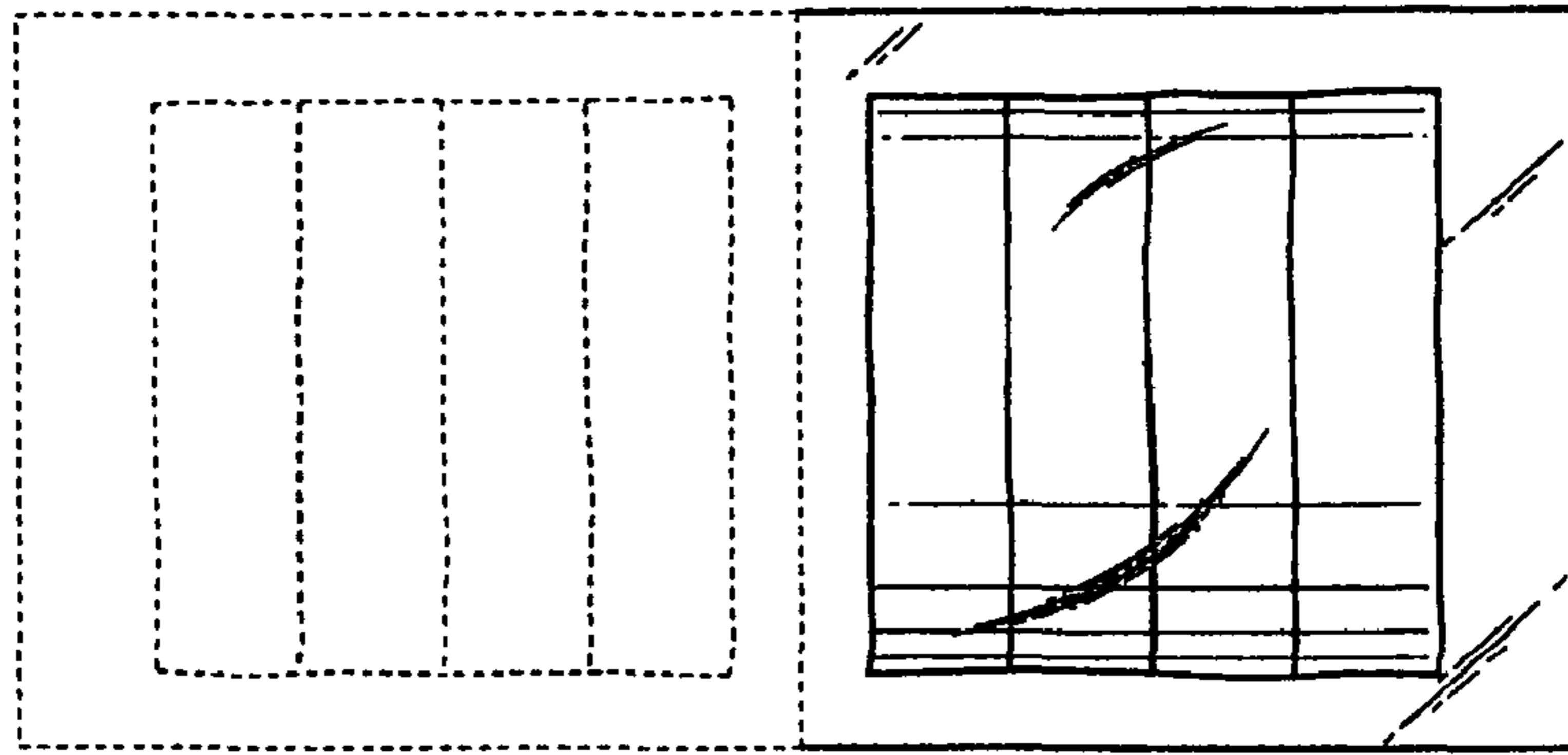


Fig. 3

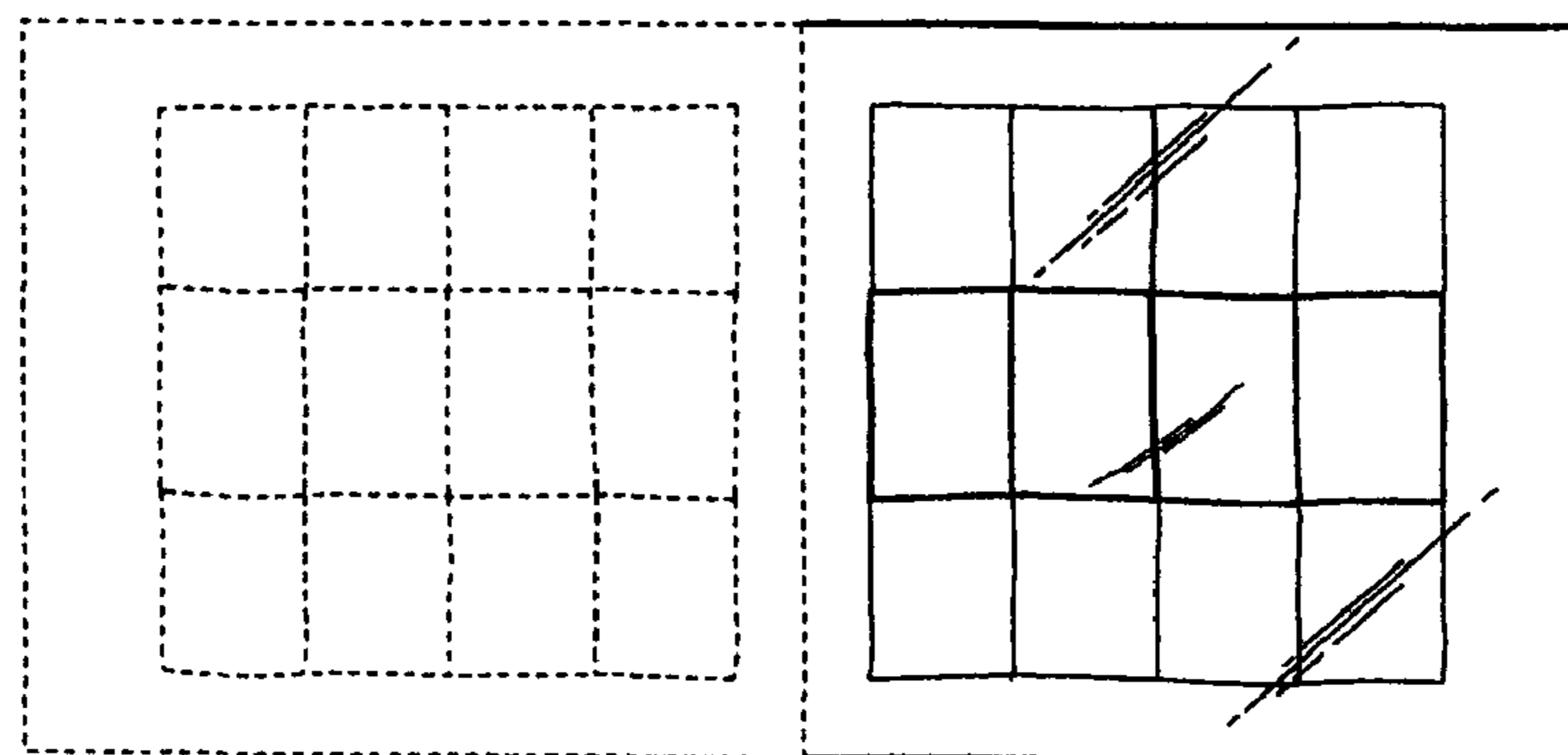


Fig. 4

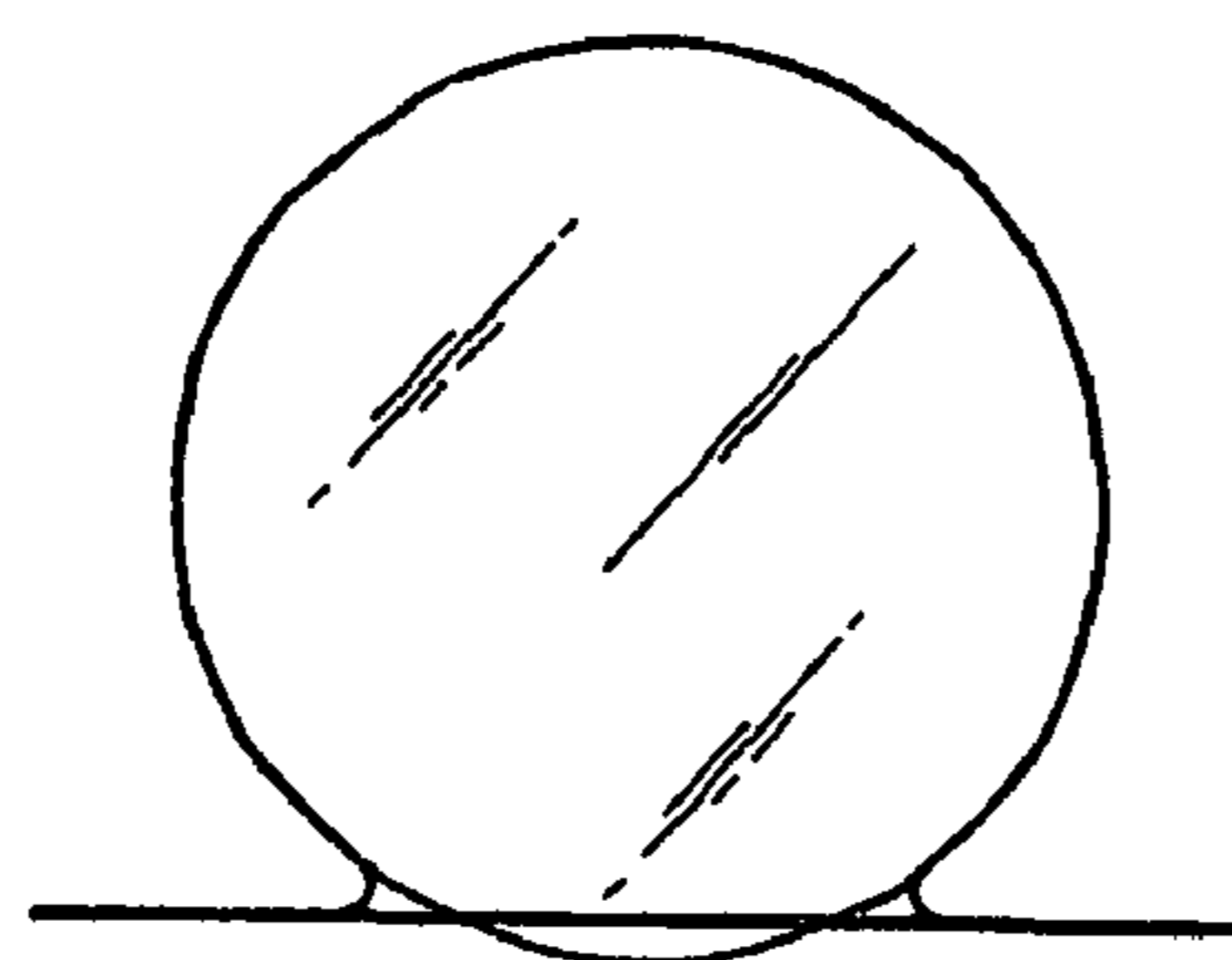


Fig. 5

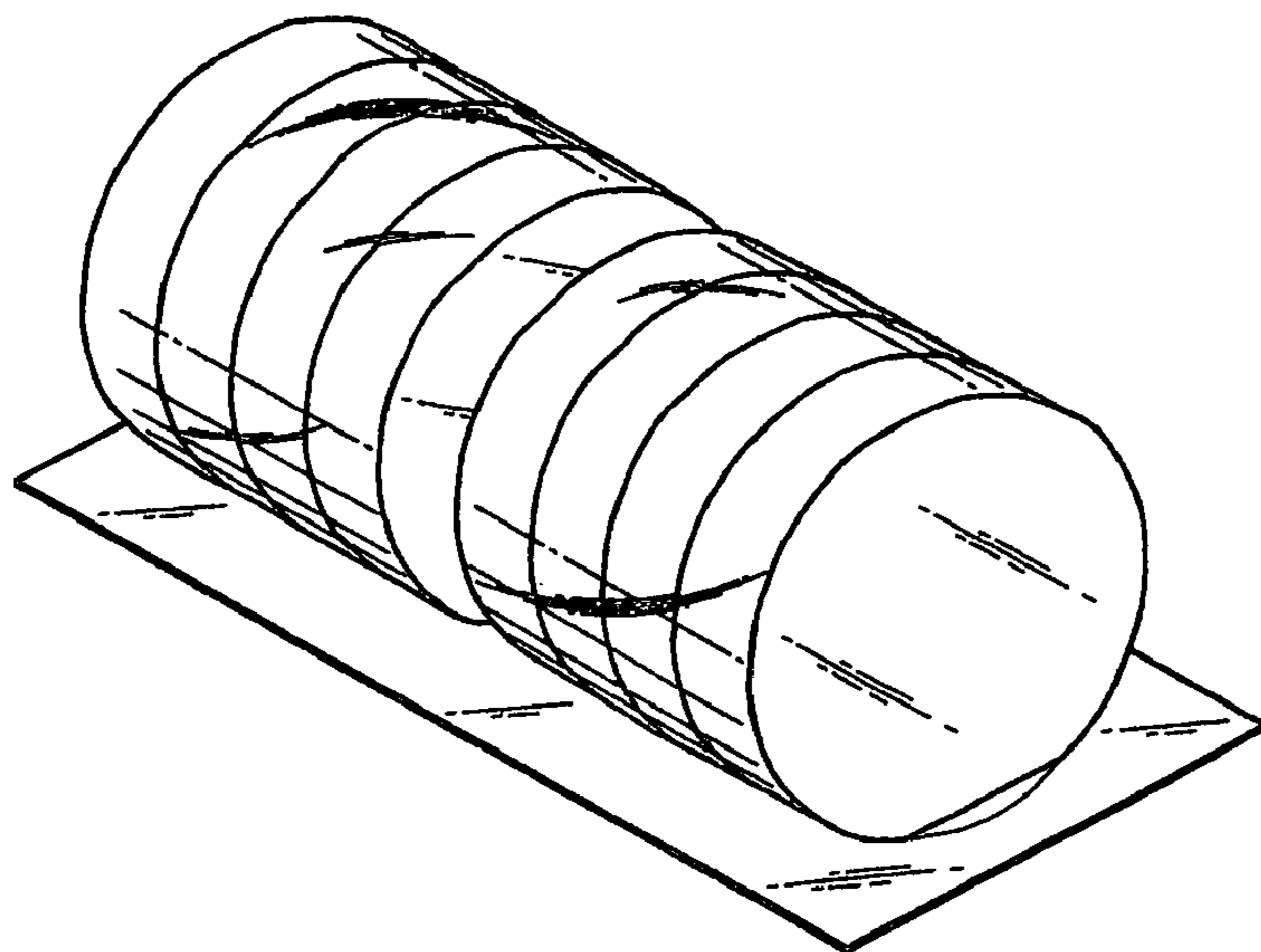


Fig. 6

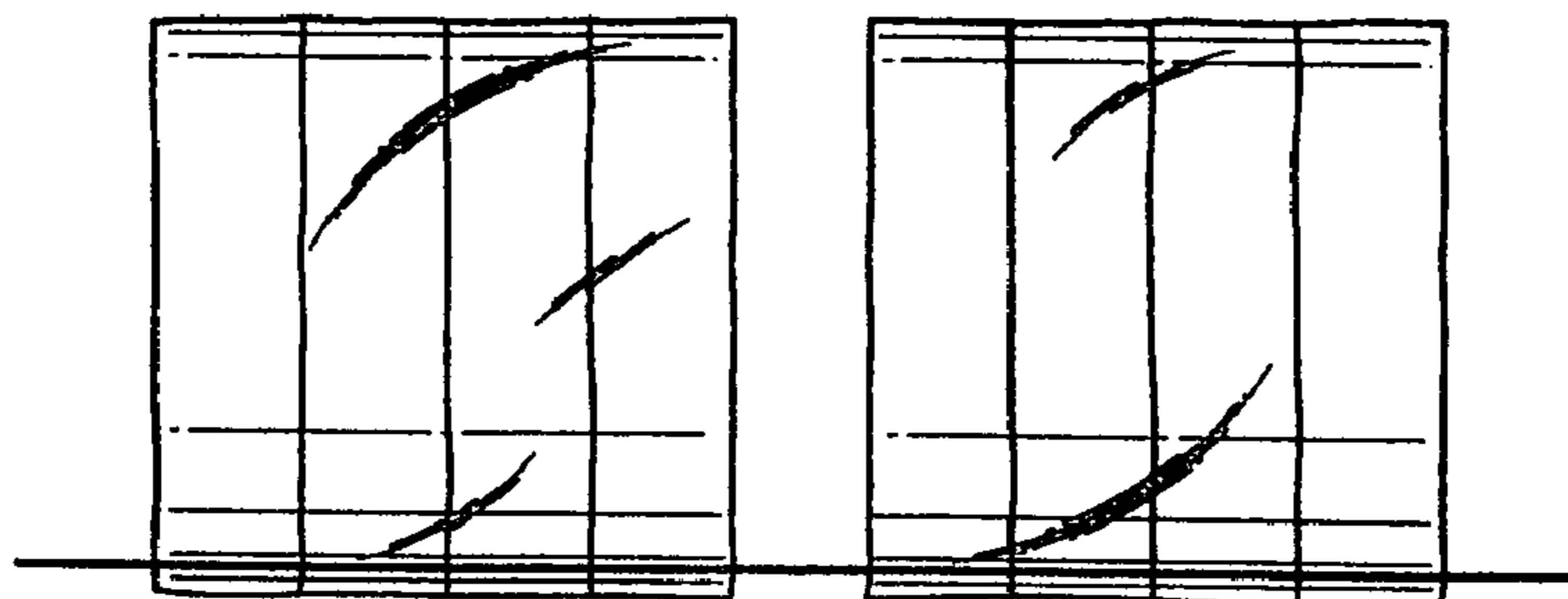


Fig. 7

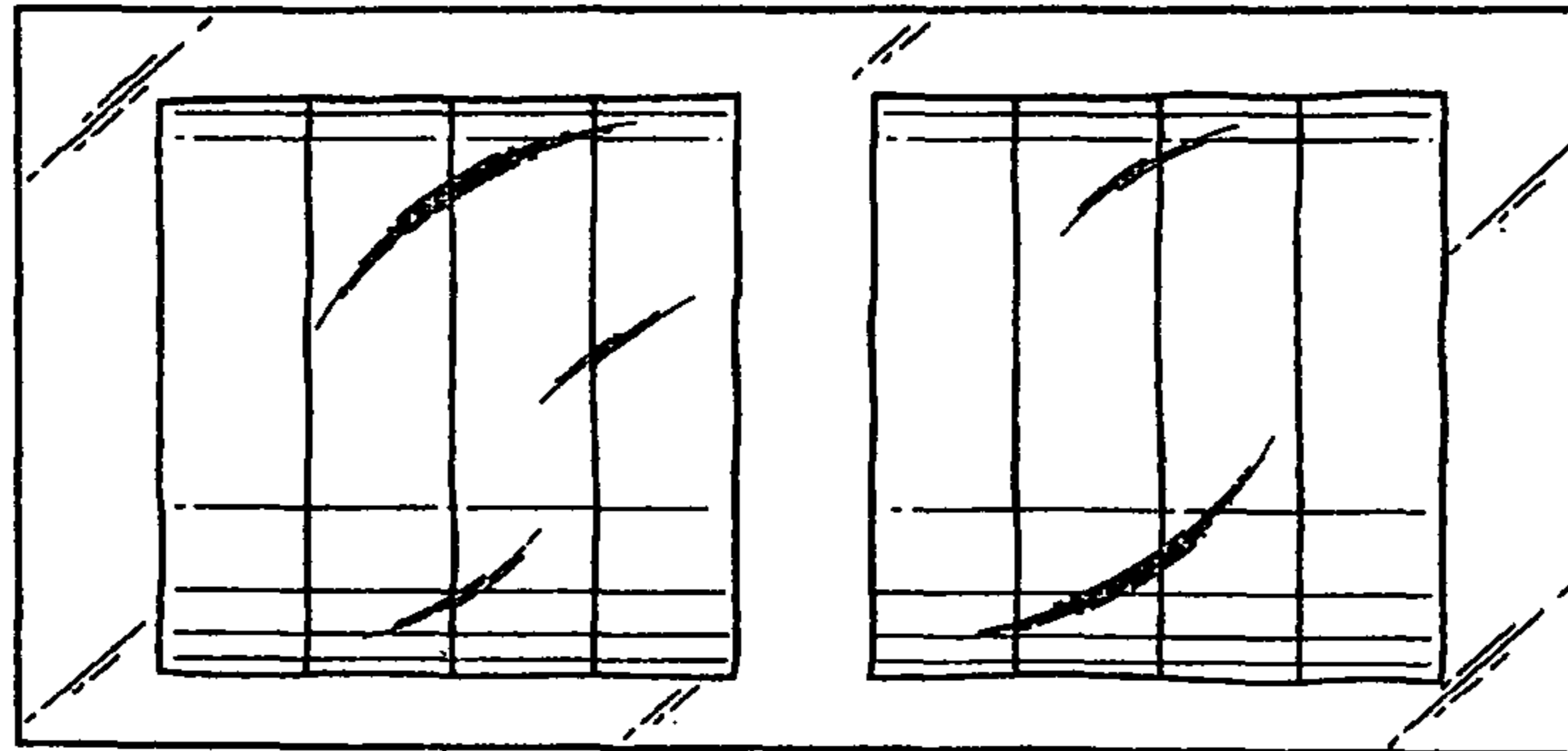


Fig. 8

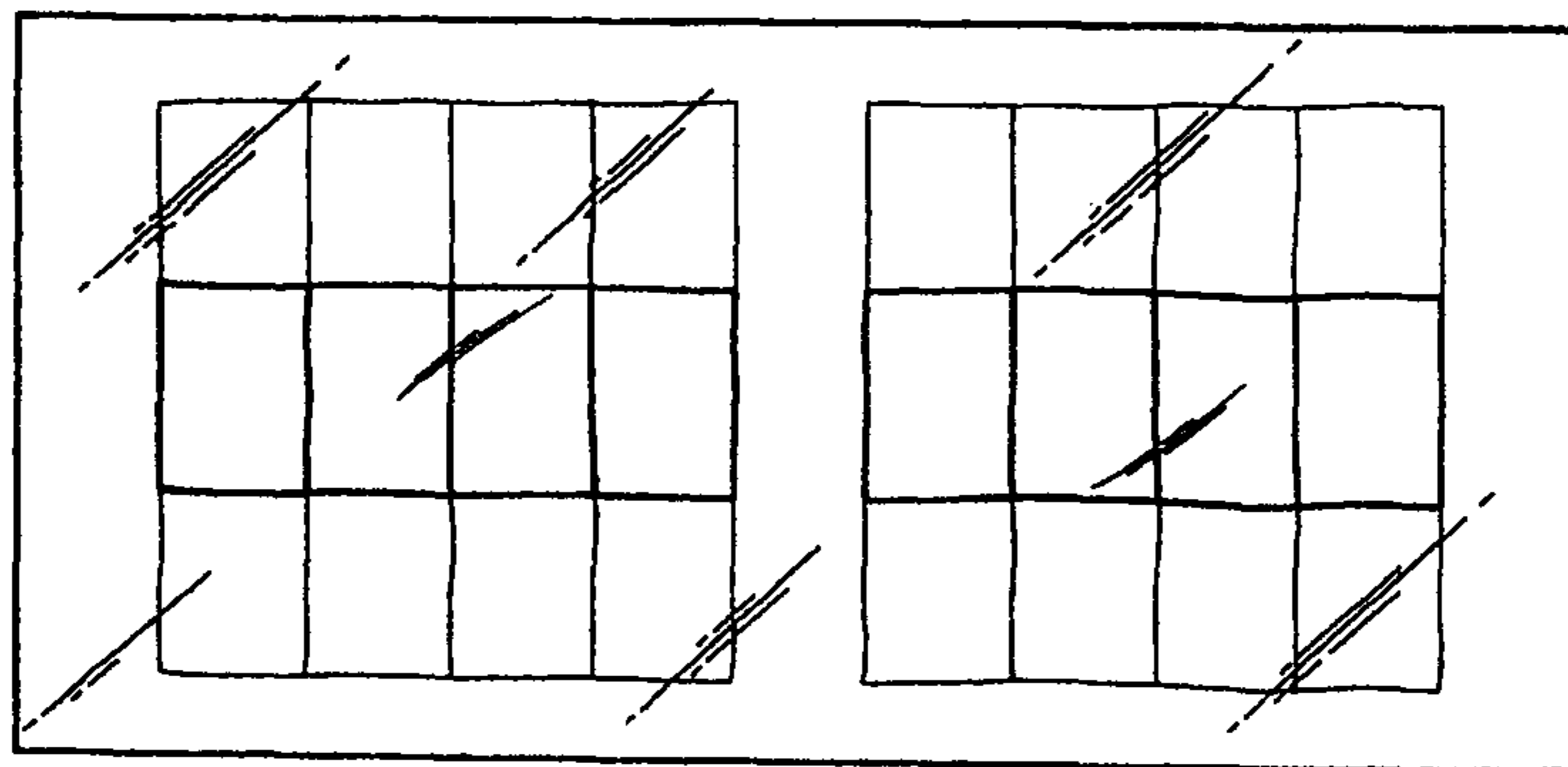


Fig. 9

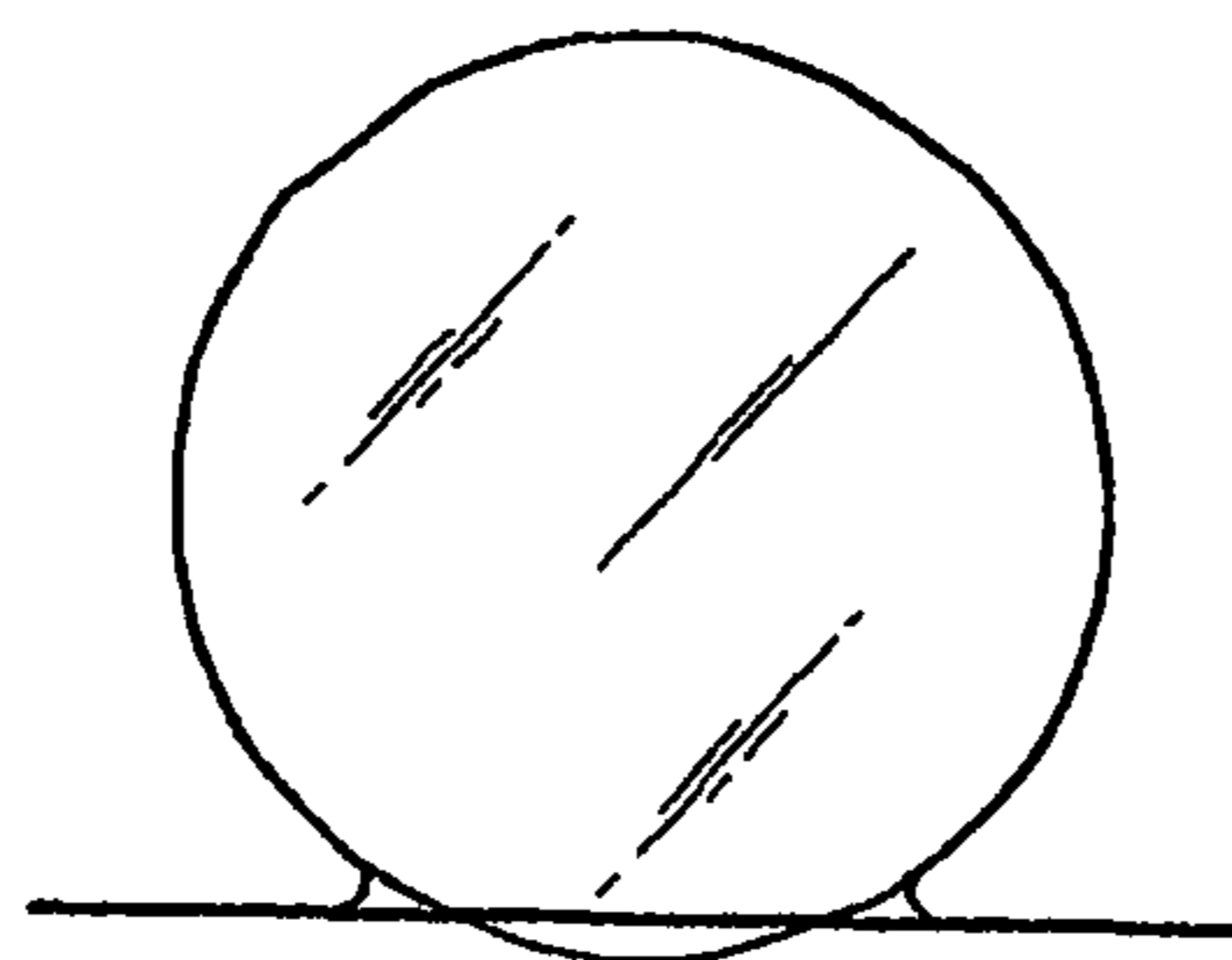


Fig. 10