



US00D646167S

(12) **United States Design Patent**
Wurth et al.

(10) **Patent No.:** **US D646,167 S**

(45) **Date of Patent:** **** Oct. 4, 2011**

(54) **CONTAINER FRONT FACE**

(75) Inventors: **Stephen Andrew Wurth**, St. Louis, MO (US); **Alison M. Wilker**, Park Ridge, IL (US)

(73) Assignee: **Societe des Produits Nestle S.A.**, Vevey (CH)

(**) Term: **14 Years**

(21) Appl. No.: **29/373,590**

(22) Filed: **Apr. 29, 2011**

(51) **LOC (9) Cl.** **09-01**

(52) **U.S. Cl.** **D9/516; D9/571**

(58) **Field of Classification Search** D9/516, D9/523, 527-528, 531, 533, 535-536, 541-543, D9/570-572, 575; 215/379, 381-384; 220/660, 220/669, 675

See application file for complete search history.

(56) **References Cited**

U.S. PATENT DOCUMENTS

D91,653 S *	3/1934	Guyer	D9/543
D199,275 S *	9/1964	Du Pree	D7/300
D229,889 S *	1/1974	Brody	D9/542
D381,903 S *	8/1997	Zimmer et al.	D9/434
D384,882 S *	10/1997	Tabaroni et al.	D9/696
D415,033 S *	10/1999	Forecast et al.	D9/528
D422,919 S *	4/2000	Scriven et al.	D9/523

D458,541 S *	6/2002	Steiger et al.	D9/528
D482,625 S *	11/2003	Crawford et al.	D9/564
D551,984 S *	10/2007	La Kier et al.	D9/538

* cited by examiner

Primary Examiner — Ian Simmons

Assistant Examiner — Dana L Sipos

(74) *Attorney, Agent, or Firm* — Wendell Ray Guffey

(57) **CLAIM**

The ornamental design for a container front face, as shown and described.

DESCRIPTION

FIG. 1 is a front view of a container front face showing our new design.

FIG. 2 is a side view of the container front face shown in FIG. 1; the opposite side being the mirror image thereof.

FIG. 3 is a perspective view of the container front face shown in FIG. 1.

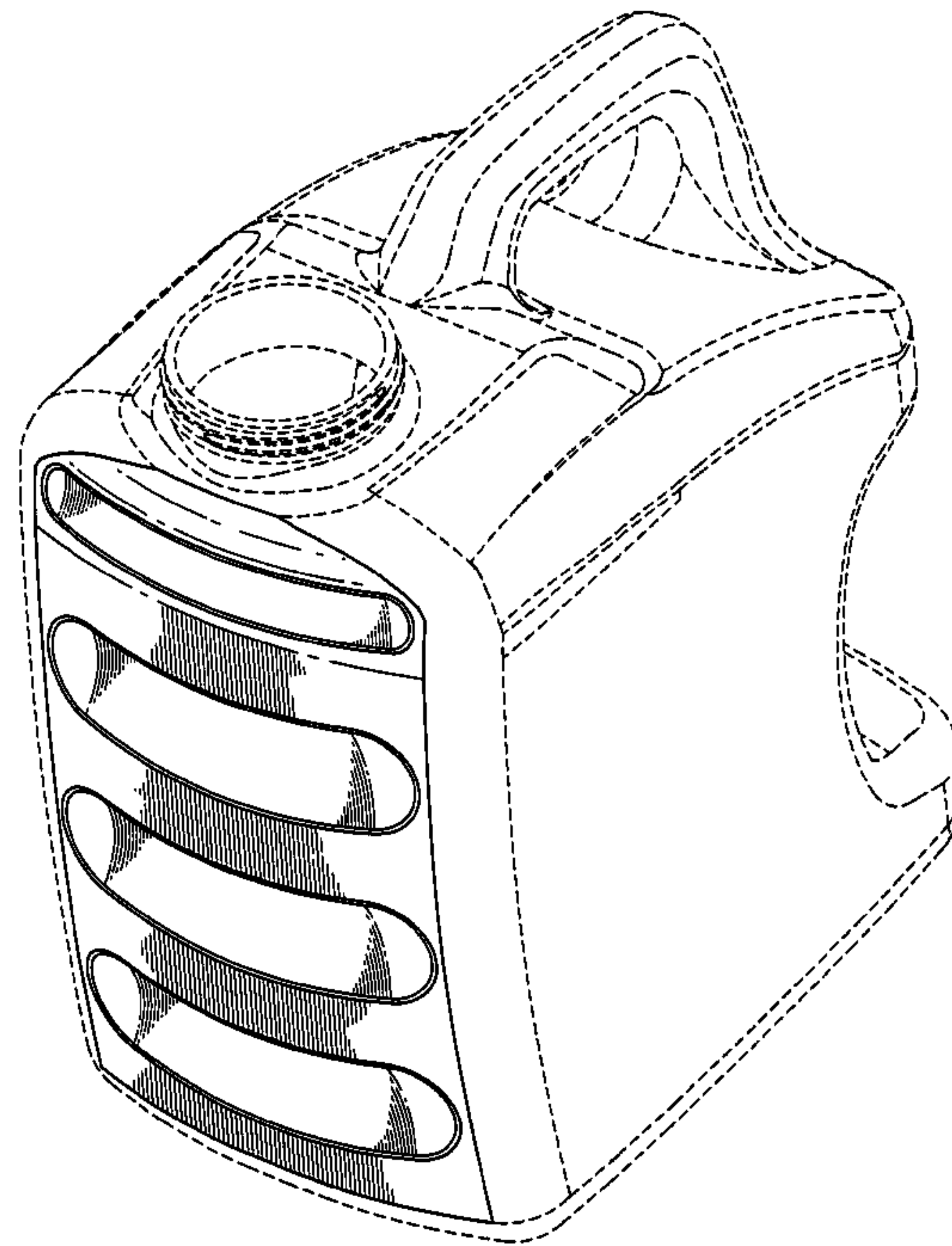
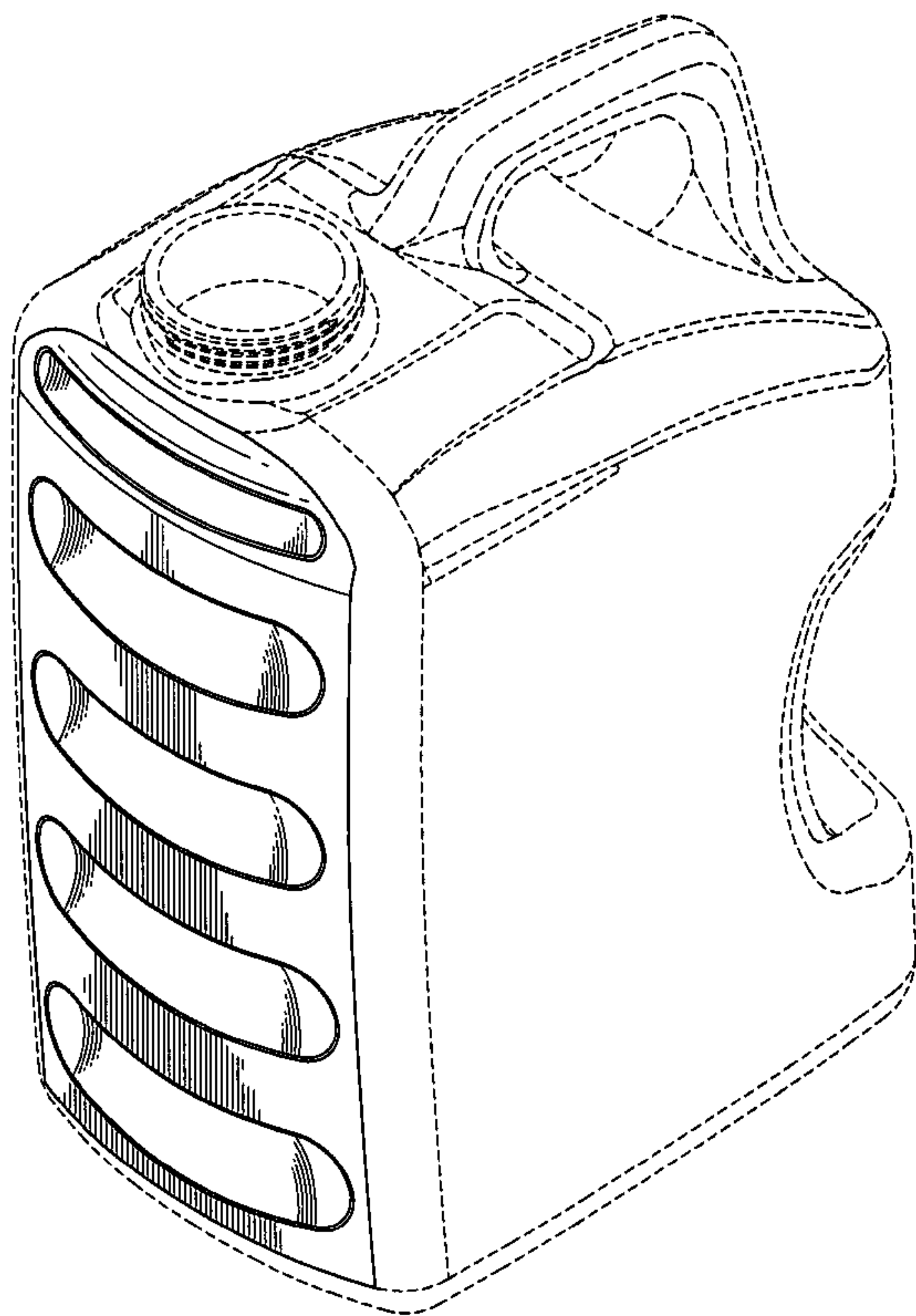
FIG. 4 is a front view of a second embodiment of a container front face showing our new design.

FIG. 5 is a side view of the container front face shown in FIG. 4; the opposite side being the mirror image thereof; and,

FIG. 6 is a perspective view of the container front face shown in FIG. 4.

The broken lines shown in the drawings depict environmental subject matter and form no part of the claimed design. Contour lines and shading are used to indicate surface contours.

1 Claim, 6 Drawing Sheets



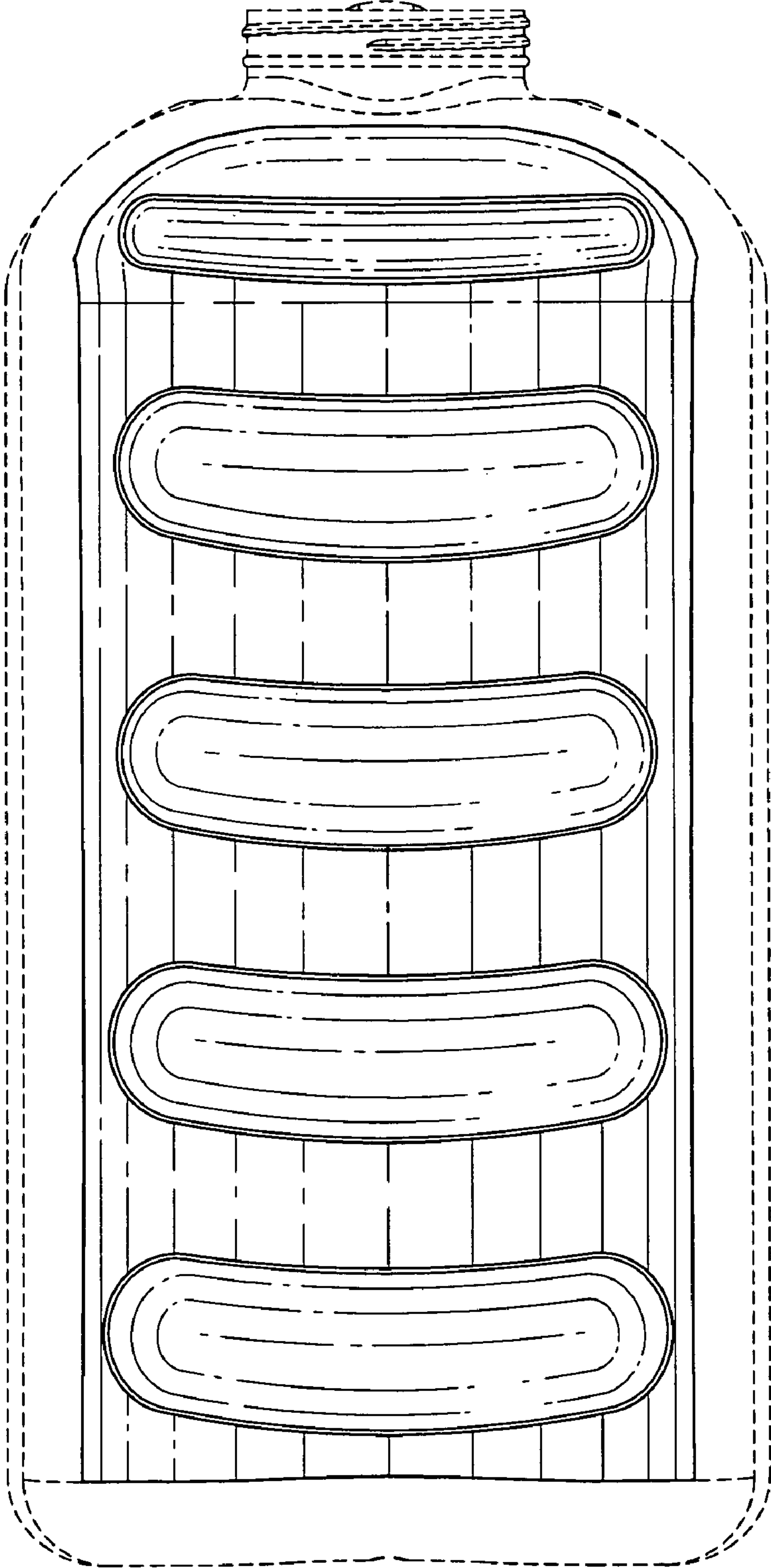


FIG. 1

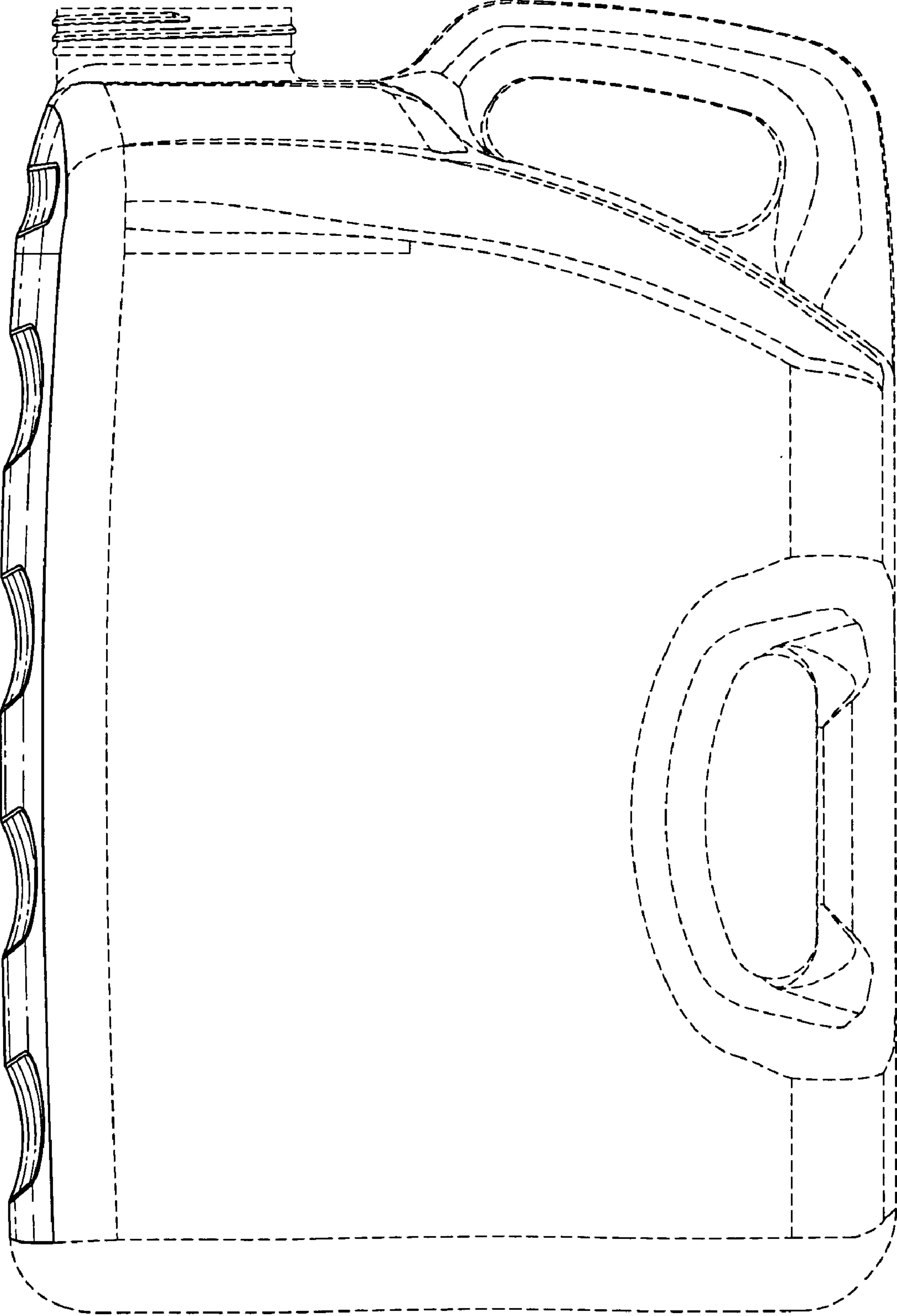


FIG. 2

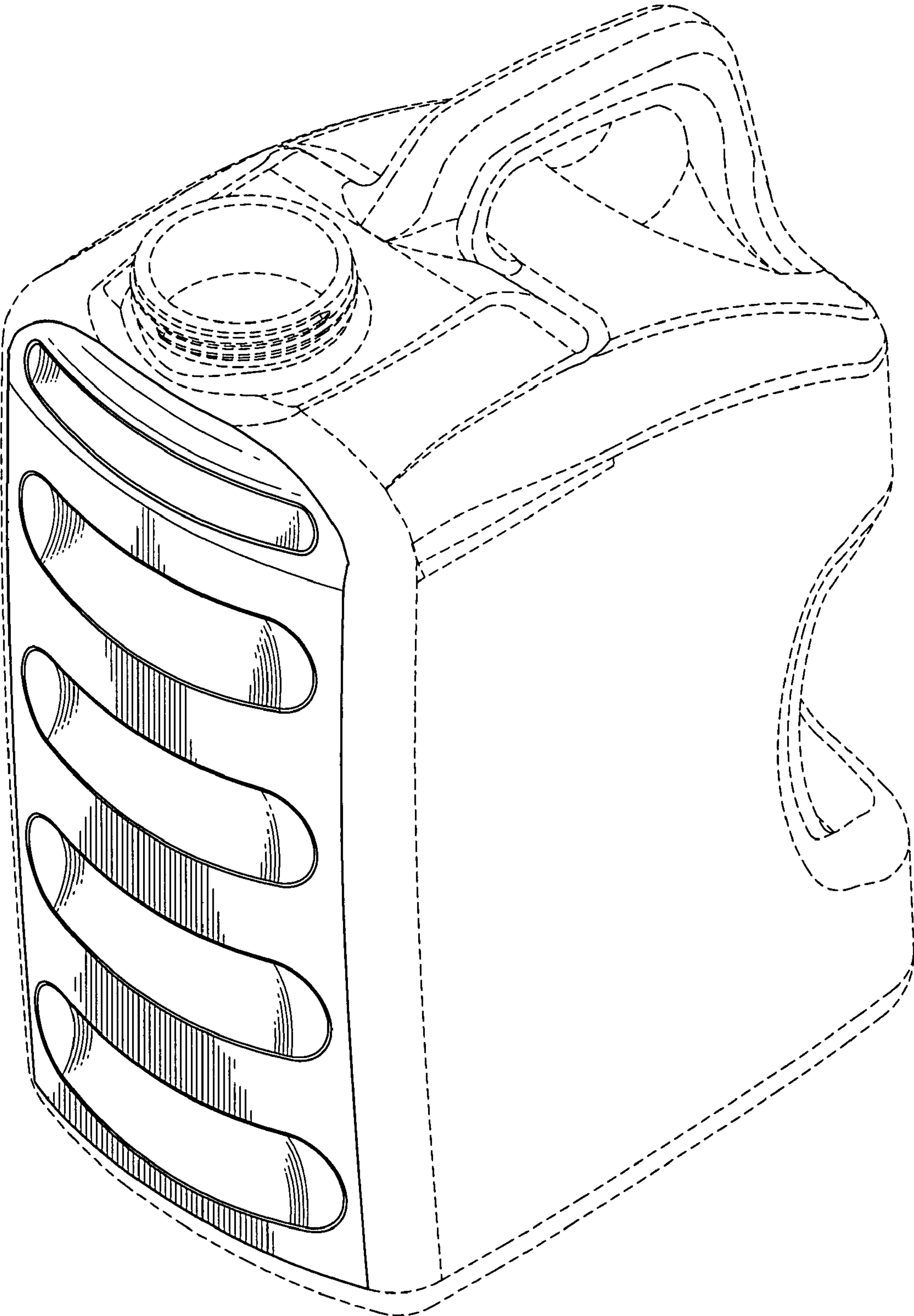


FIG. 3

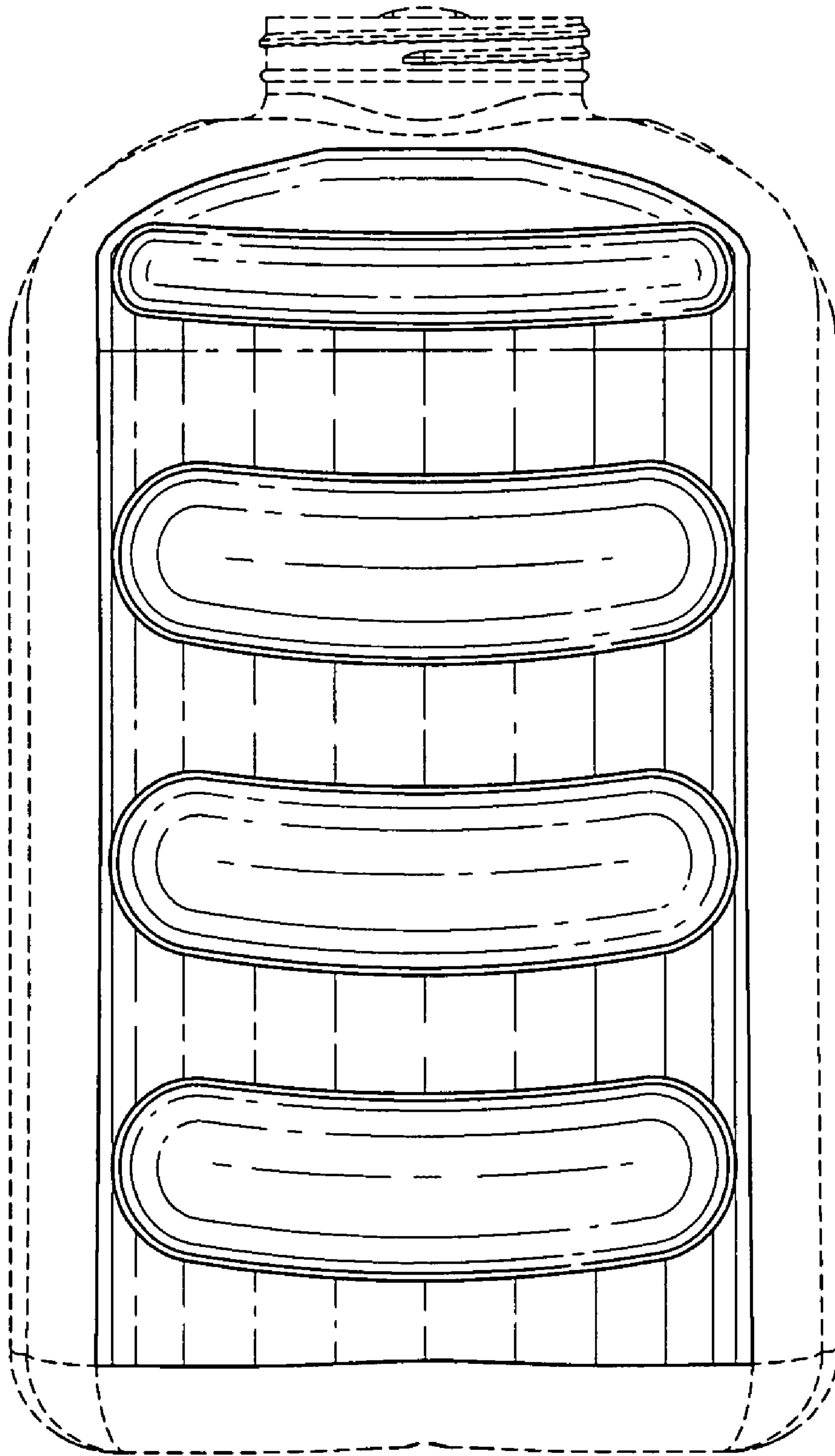


FIG. 4

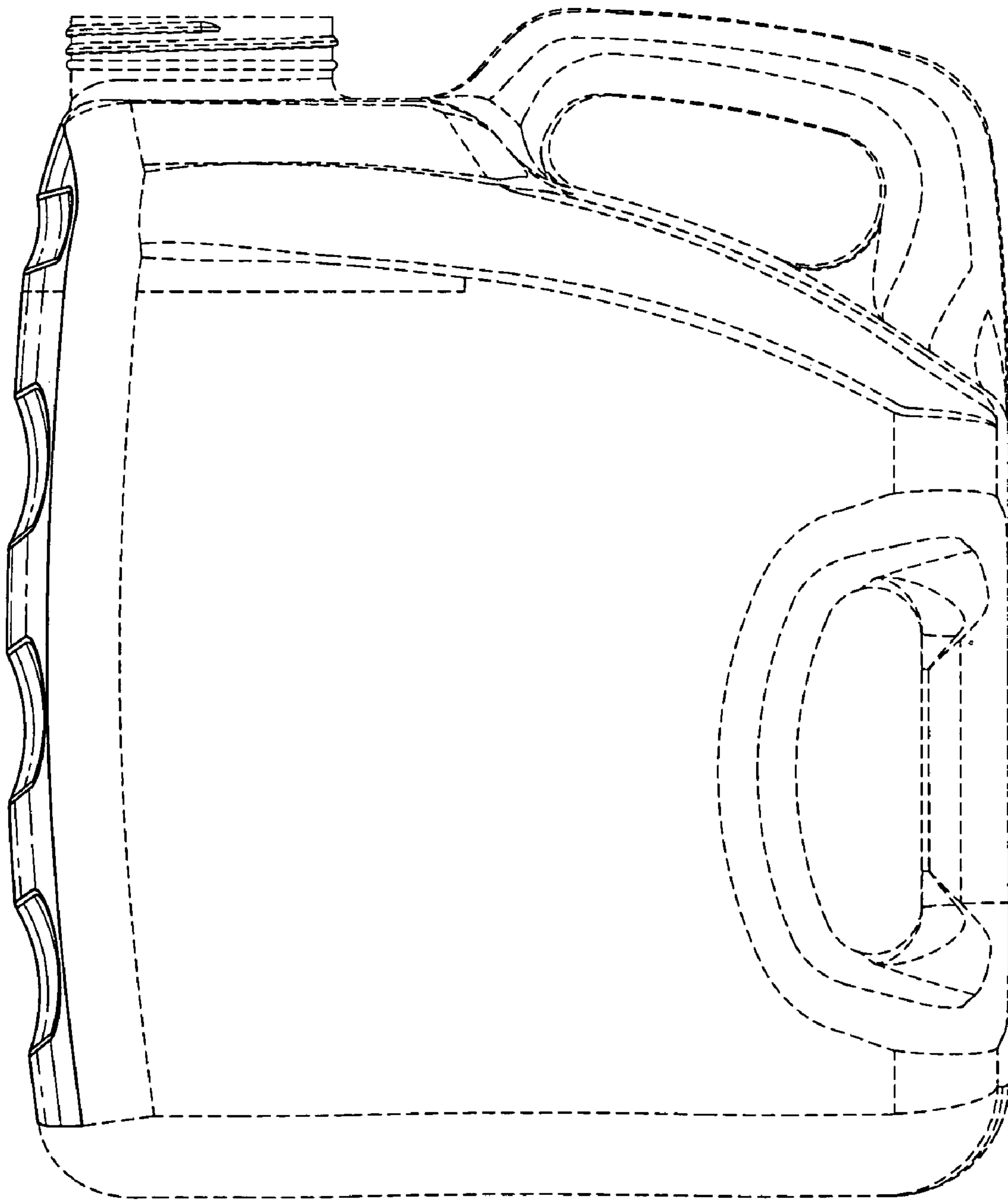


FIG. 5

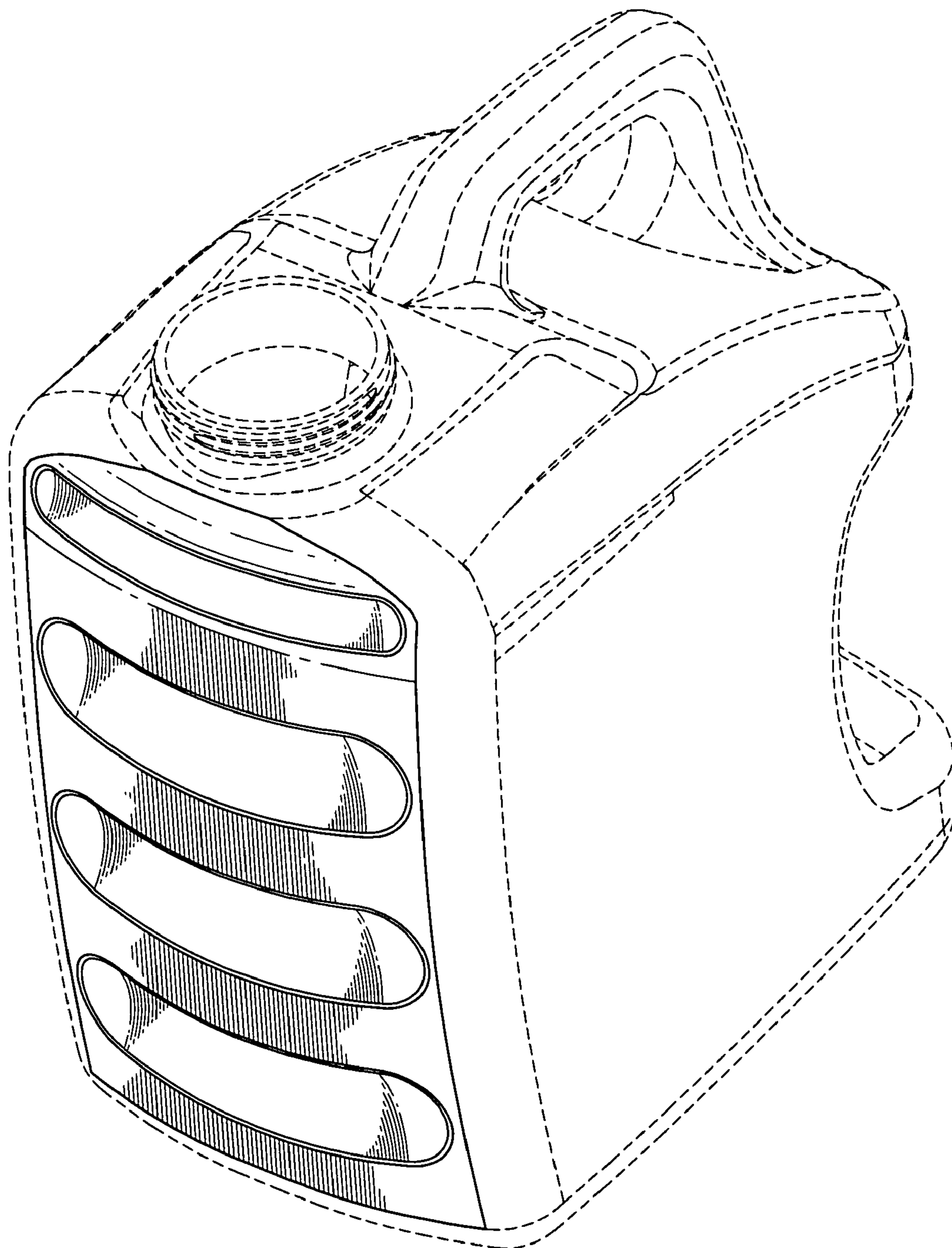


FIG. 6