

US00D646151S

(12) **United States Design Patent**  
**Potts et al.**

(10) **Patent No.:** **US D646,151 S**  
(45) **Date of Patent:** **\*\* Oct. 4, 2011**

(54) **HOOK WITH RECEIVING CHANNELS**

(75) Inventors: **David Potts**, Killingworth, CT (US);  
**Daniel Borkowski**, Meriden, CT (US);  
**Nicholas Searles**, Shelton, CT (US)

(73) Assignee: **Geomatrix, LLC**, Old Saybrook, CT (US)

(\*\*) Term: **14 Years**

(21) Appl. No.: **29/379,429**

(22) Filed: **Nov. 19, 2010**

(51) **LOC (9) Cl.** ..... **08-05**

(52) **U.S. Cl.** ..... **D8/367**

(58) **Field of Classification Search** ..... D8/367;  
D6/323; 248/301, 304, 214–215

See application file for complete search history.

(56) **References Cited**

**U.S. PATENT DOCUMENTS**

1,653,769 A \* 12/1927 Johnson ..... 104/111  
D317,114 S \* 5/1991 Raffler ..... D8/367  
D317,115 S \* 5/1991 Gary ..... D8/373

D375,673 S \* 11/1996 Schowalter ..... D8/367  
D535,111 S \* 1/2007 Giampavolo ..... D6/328  
D613,585 S \* 4/2010 Haddock ..... D8/367

\* cited by examiner

*Primary Examiner* — Holly Baynham

(74) *Attorney, Agent, or Firm* — Grasso PLLC; Fred Grasso

(57) **CLAIM**

The ornamental design for a hook with receiving channels, as shown and described.

**DESCRIPTION**

FIG. 1 is a perspective view of a hook with receiving channels showing their new design;

FIG. 2 is an elevational view of a first face thereof;

FIG. 3 is the elevational view of the face opposite of FIG. 2;

FIG. 4 is a first side view thereof with the openings to the channels;

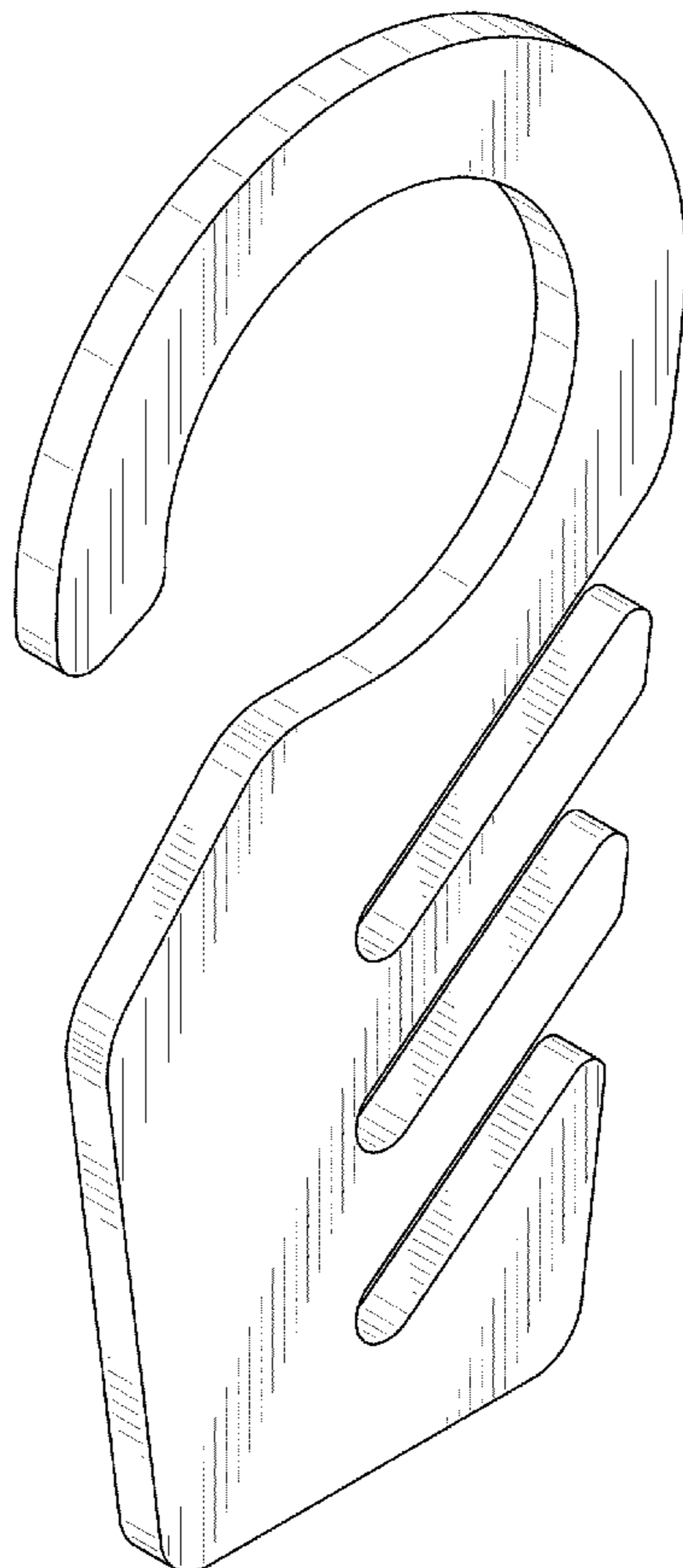
FIG. 5 is a second side view thereof with the opening to the hook;

FIG. 6 is a top view thereof; and,

FIG. 7 is a bottom view thereof.

The nature and intended use of the article in which the design is embodied is a hook with receiving channels.

**1 Claim, 5 Drawing Sheets**



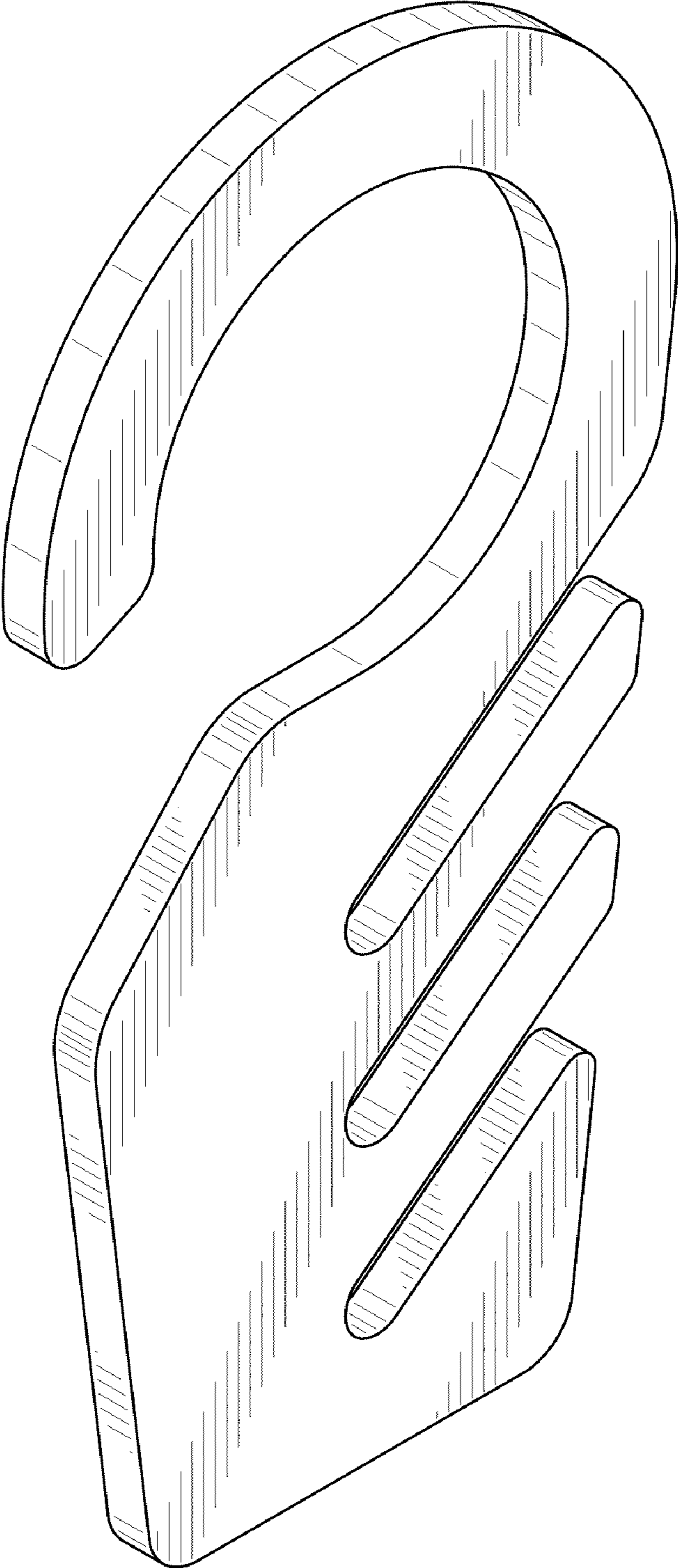


FIG. 1

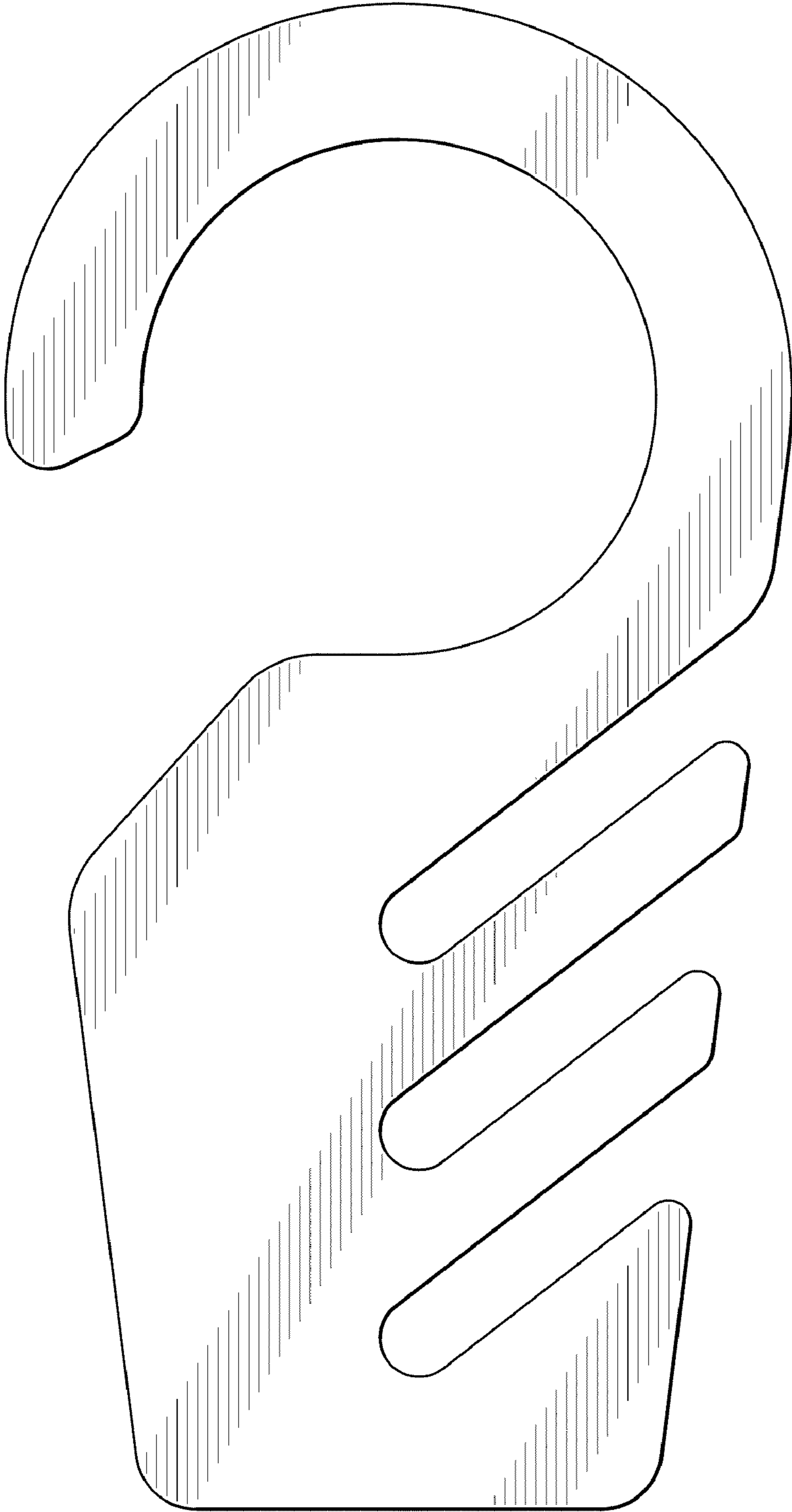


FIG. 2

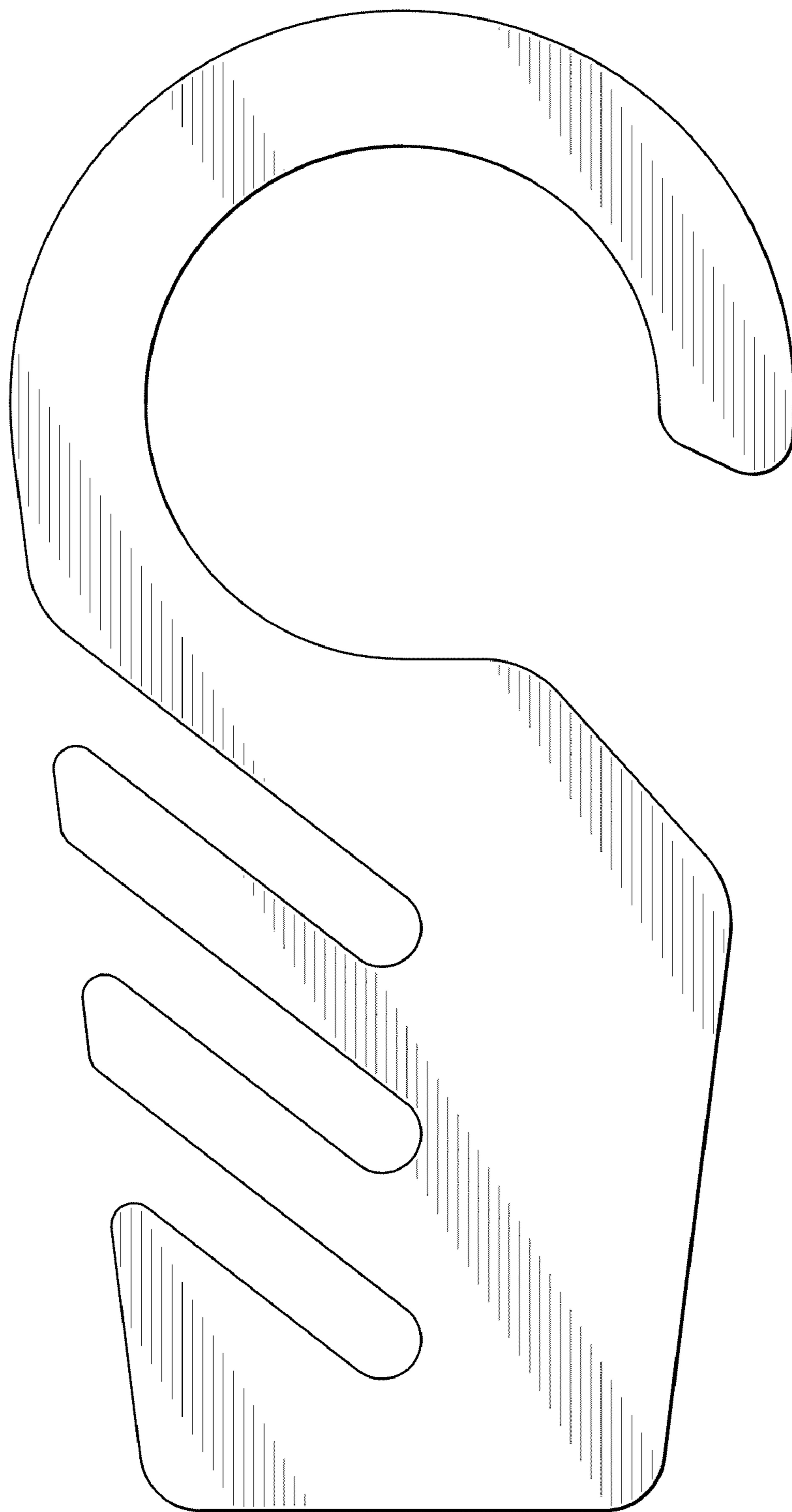


FIG. 3

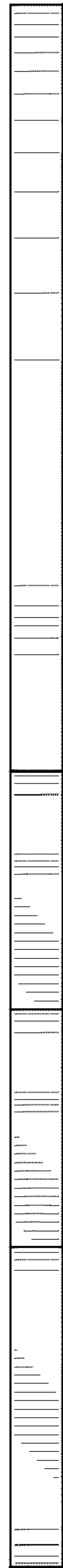


FIG. 4

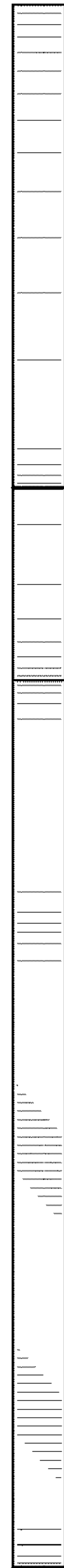


FIG. 5



FIG. 6



FIG. 7