



US00D646150S

(12) **United States Design Patent**
Sempliner et al.

(10) **Patent No.:** **US D646,150 S**
(45) **Date of Patent:** **** Oct. 4, 2011**

- (54) **GROMMET**
- (75) Inventors: **Arthur T. Sempliner**, Douglaston, NY (US); **Jonathan Pettingill**, Brooklyn, NY (US)
- (73) Assignee: **Upsite Technologies, Inc.**, Santa Fe, NM (US)
- (**) Term: **14 Years**
- (21) Appl. No.: **29/385,197**
- (22) Filed: **Feb. 10, 2011**

| | | | | | |
|-----------|------|---------|---------------------|-------|-----------|
| D378,408 | S * | 3/1997 | Pyeatt et al. | | D24/128 |
| 5,659,924 | A | 8/1997 | Gildersleeve | | |
| 6,194,659 | B1 | 2/2001 | Cornu | | |
| 6,265,670 | B1 | 7/2001 | Duesterhoeft et al. | | |
| 6,278,061 | B1 | 8/2001 | Daoud | | |
| D453,103 | S * | 1/2002 | Tell | | D8/356 |
| D468,622 | S * | 1/2003 | Sarkinen et al. | | D8/356 |
| 6,632,999 | B2 | 10/2003 | Sempliner et al. | | |
| 6,936,770 | B2 | 8/2005 | Takedomi et al. | | |
| 7,253,361 | B2 * | 8/2007 | Nishijima et al. | | 174/72 A |
| 7,404,736 | B2 * | 7/2008 | Herbst et al. | | 439/557 |
| D579,762 | S * | 11/2008 | Sempliner et al. | | D8/356 |
| 7,507,912 | B1 * | 3/2009 | Sempliner et al. | | 174/153 G |
| D597,823 | S * | 8/2009 | Sempliner et al. | | D8/356 |
| D606,844 | S * | 12/2009 | Glass et al. | | D8/356 |
| D612,225 | S * | 3/2010 | Forte | | D8/356 |
| RE41,353 | E * | 5/2010 | McGrath et al. | | 385/134 |

Related U.S. Application Data

- (62) Division of application No. 29/359,108, filed on Apr. 6, 2010, now Pat. No. Des. 635,012, which is a division of application No. 12/705,280, filed on Feb. 12, 2010.
- (51) **LOC (9) Cl.** **08-05**
- (52) **U.S. Cl.** **D8/356**
- (58) **Field of Classification Search** D8/356, D8/355, 354, 353, 349, 363, 371, 382; D13/155; 353/13; 52/144; 16/2.1, 2.2; 174/153 G, 174/135, 72 A, 152 G; 248/49, 68.1, 544; 5/503.1; 138/106

See application file for complete search history.

FOREIGN PATENT DOCUMENTS

GB 167605 8/1921

* cited by examiner

Primary Examiner — Cynthia Underwood

(74) *Attorney, Agent, or Firm* — St. Onge Steward Johnston & Reens LLC

(57) **CLAIM**

The ornamental design for a grommet, as shown and described.

DESCRIPTION

FIG. 1 is a perspective view from above of the grommet in accordance with the new design;

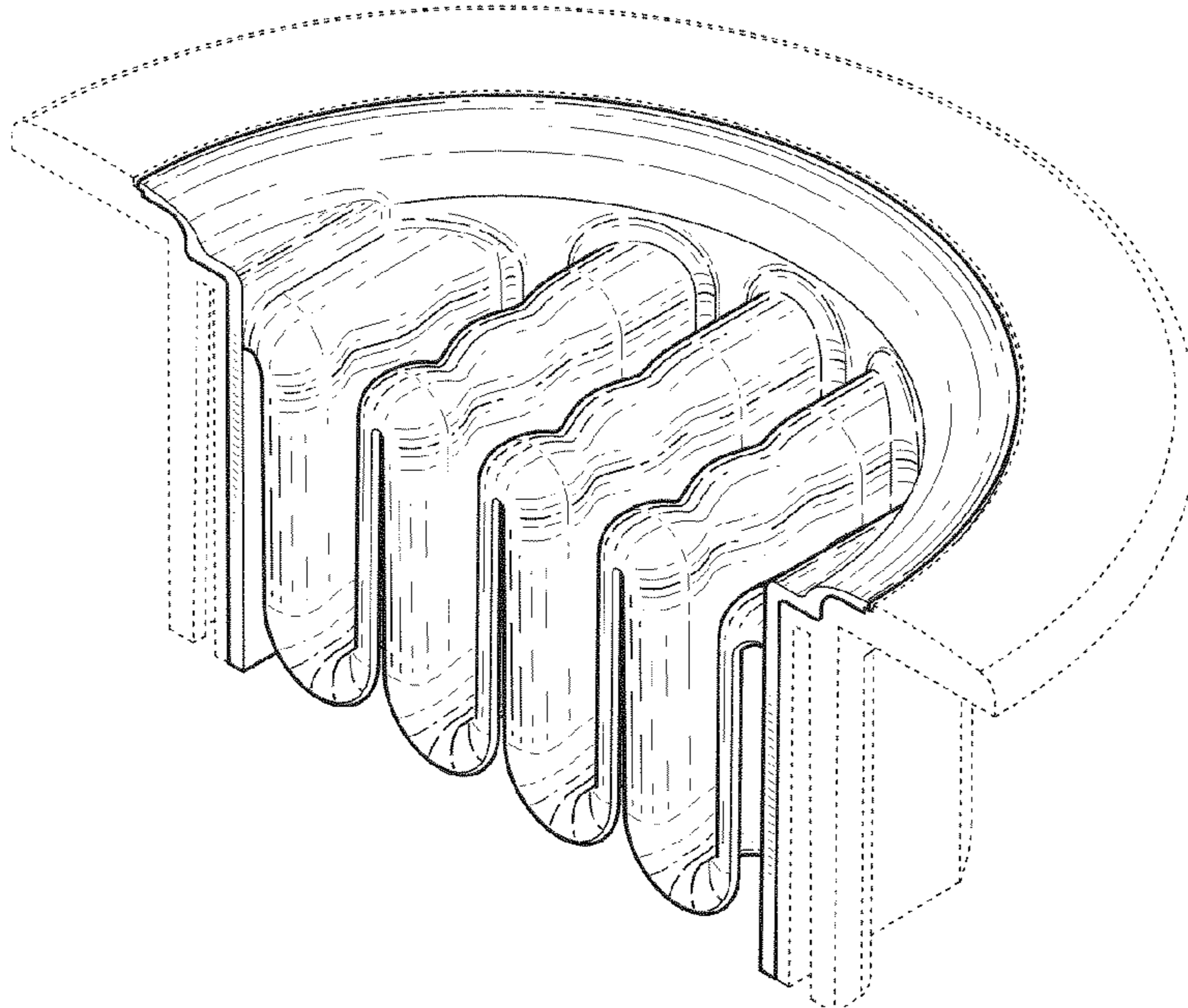
FIG. 2 is a top plan view of the grommet of FIG. 1; and, FIG. 3 is a front elevation view of the grommet of FIG. 1, the back, sides and bottom forming no part of the claimed design. The broken lines are included for the purpose of illustrating environment and form no part of the claimed design.

1 Claim, 1 Drawing Sheet

(56) **References Cited**

U.S. PATENT DOCUMENTS

| | | | | | |
|-----------|-----|---------|---------------------|-------|---------|
| D50,435 | S * | 3/1917 | Stimpson | | D8/356 |
| D138,739 | S * | 9/1944 | Harris | | D8/356 |
| 3,508,229 | A * | 4/1970 | Stencel, Jr. et al. | | 360/129 |
| 4,344,205 | A | 8/1982 | Latino et al. | | |
| D268,895 | S | 5/1983 | Beleckis | | |
| D282,538 | S * | 2/1986 | Loof et al. | | D13/155 |
| D298,494 | S | 11/1988 | Mockett | | |



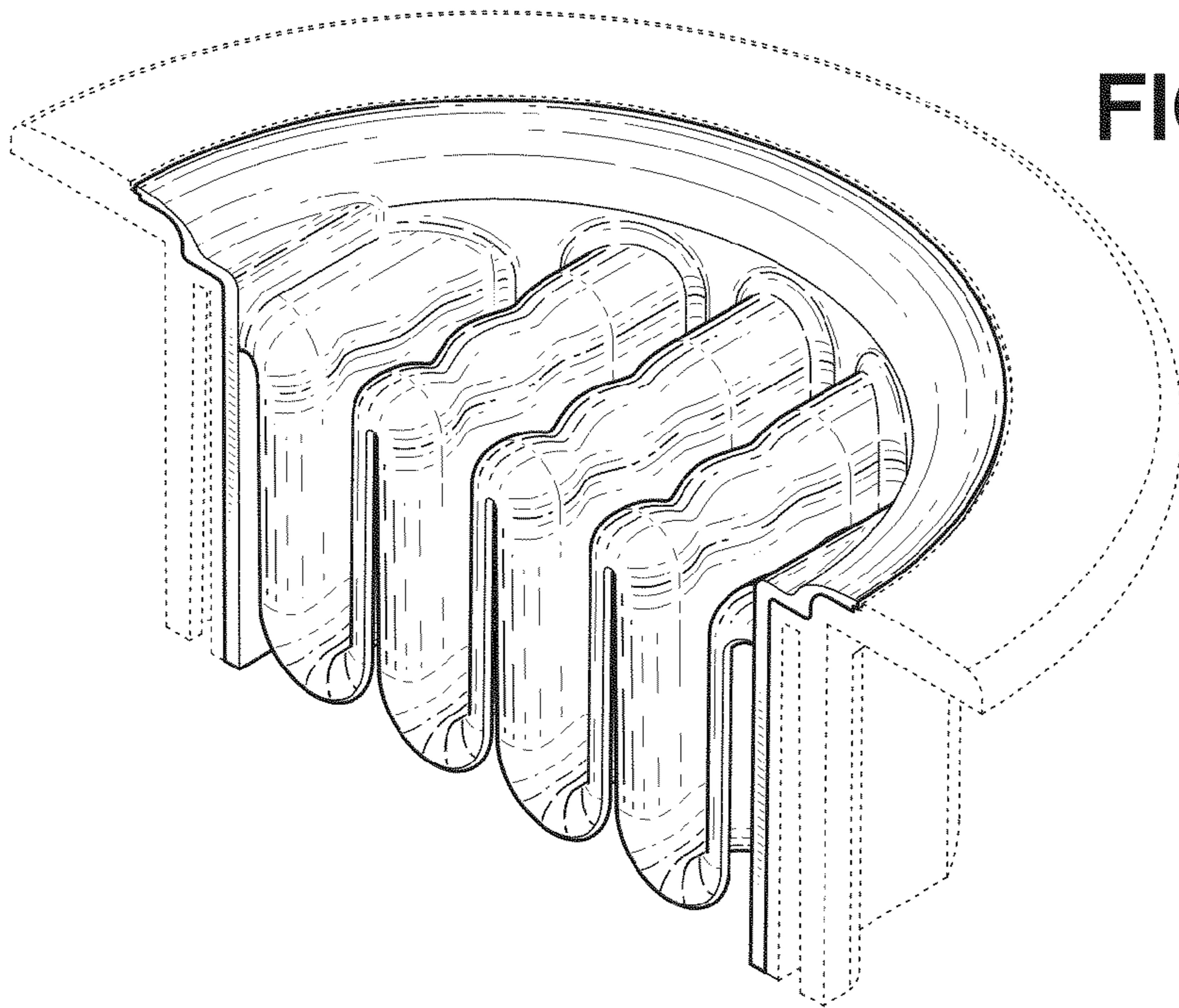


FIG. 1

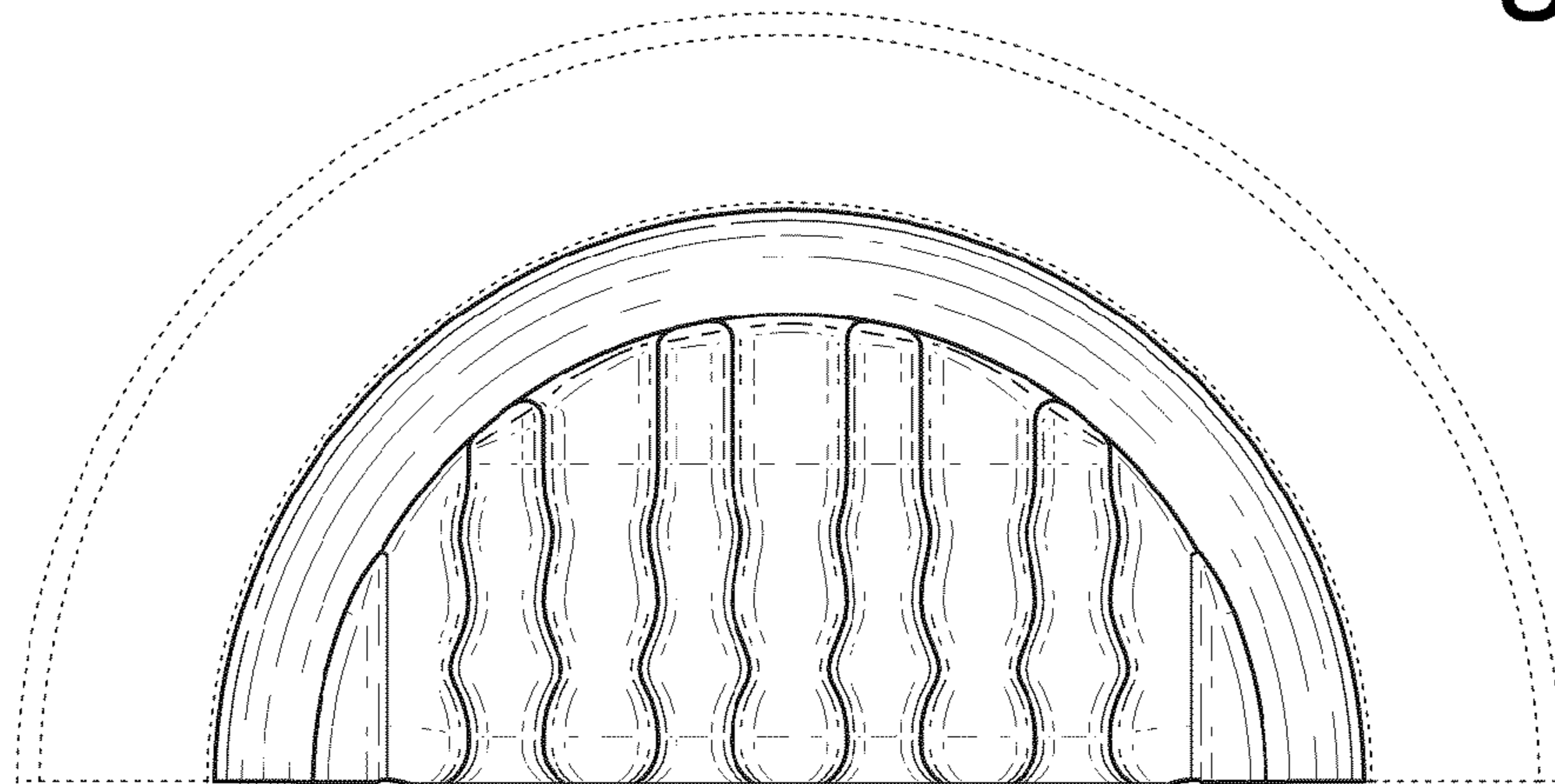


Fig. 2

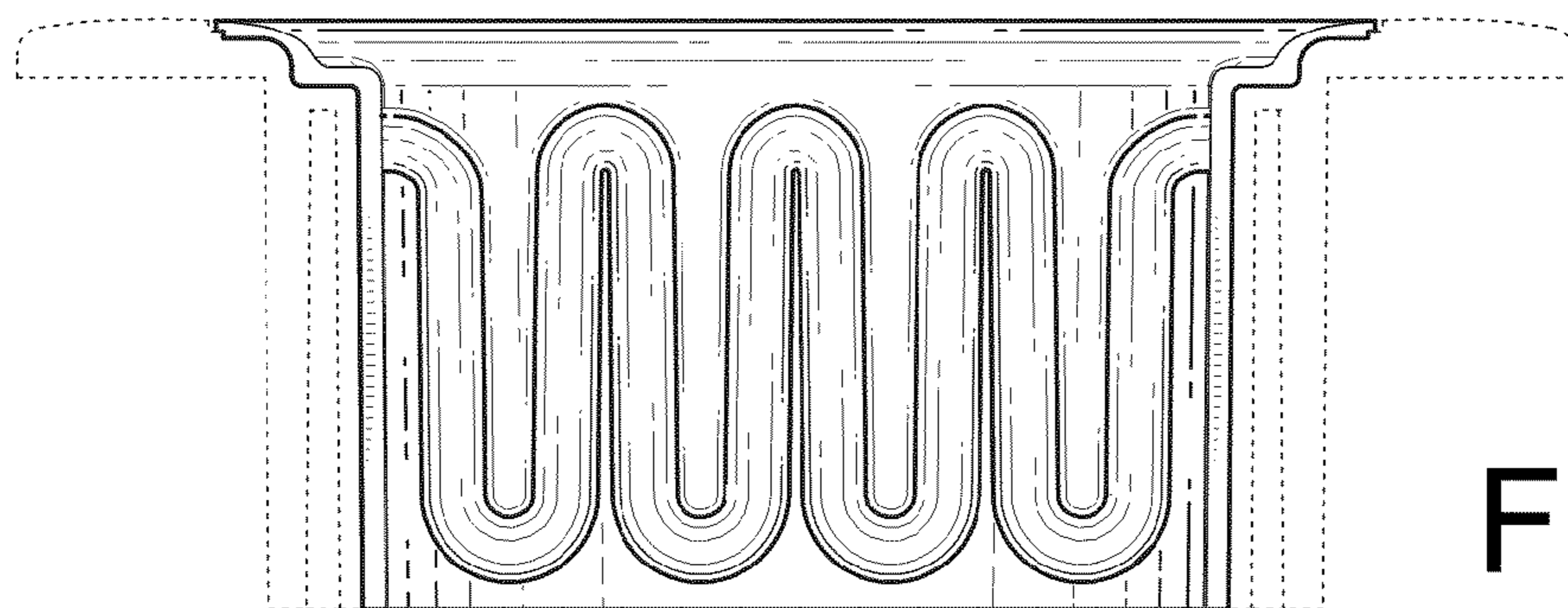


Fig. 3