



US00D646148S

(12) **United States Design Patent**  
**Good et al.**

(10) **Patent No.:** **US D646,148 S**

(45) **Date of Patent:** **\*\* Oct. 4, 2011**

(54) **PADLOCK BUMPERS**

(75) Inventors: **John A. Good**, Aliso Viejo, CA (US);  
**Philip A. Zorc**, Laguna Niguel, CA  
(US); **Allen C. Young**, Encinitas, CA  
(US)

(73) Assignee: **Hampton Products International Corporation**, Foothill Ranch, CA (US)

(\*\*) Term: **14 Years**

(21) Appl. No.: **29/380,304**

(22) Filed: **Dec. 2, 2010**

(51) **LOC (9) Cl.** ..... **08-07**

(52) **U.S. Cl.** ..... **D8/334; D8/331**

(58) **Field of Classification Search** ..... D8/330,  
D8/331, 334, 338, 336, 345, 339; 70/14,  
70/18, 20, 24, 25, 31, 35, 38 R, 38 A, 38 B,  
70/38 C, 51-56, 91, 141, DIG. 3, DIG. 4,  
70/DIG. 43, DIG. 56

See application file for complete search history.

(56) **References Cited**

U.S. PATENT DOCUMENTS

3,453,758	A	7/1969	Soref et al.	
3,626,729	A *	12/1971	Fane et al.	70/18
3,983,725	A *	10/1976	Manuel et al.	70/55
4,224,813	A	9/1980	Hampton	
4,226,100	A	10/1980	Hampton et al.	
4,317,344	A *	3/1982	Barnard	70/55
D292,869	S	11/1987	Lebrecht	
D325,158	S	4/1992	Lebrecht	
5,761,935	A *	6/1998	Adelmeyer	70/55
6,539,754	B1	4/2003	Fang	
D484,391	S	12/2003	Hackbarth et al.	

D537,320	S *	2/2007	Kearns et al.	D8/334
D587,984	S *	3/2009	Zorc et al.	D8/343
D587,987	S *	3/2009	Zorc et al.	D8/343
D595,112	S *	6/2009	Zorc et al.	D8/343
D605,928	S *	12/2009	Stevens et al.	D8/334
D606,842	S *	12/2009	Stevens et al.	D8/334
D637,888	S *	5/2011	Zheng	D8/334
D638,278	S *	5/2011	Plato	D8/334

\* cited by examiner

*Primary Examiner* — Prabhakar Deshmukh

(74) *Attorney, Agent, or Firm* — Klein, O'Neil & Singh, LLP

(57) **CLAIM**

The ornamental design for padlock bumpers, as shown and described.

**DESCRIPTION**

FIG. 1 is a perspective view, taken from the front, top, and right side, of padlock bumpers in accordance with our new design;

FIG. 2 is a perspective view, taken from rear, bottom, and left side, of the padlock bumpers shown in FIG. 1;

FIG. 3 is a front elevational view of the padlock bumpers shown in FIG. 1, the rear elevational view being identical thereto;

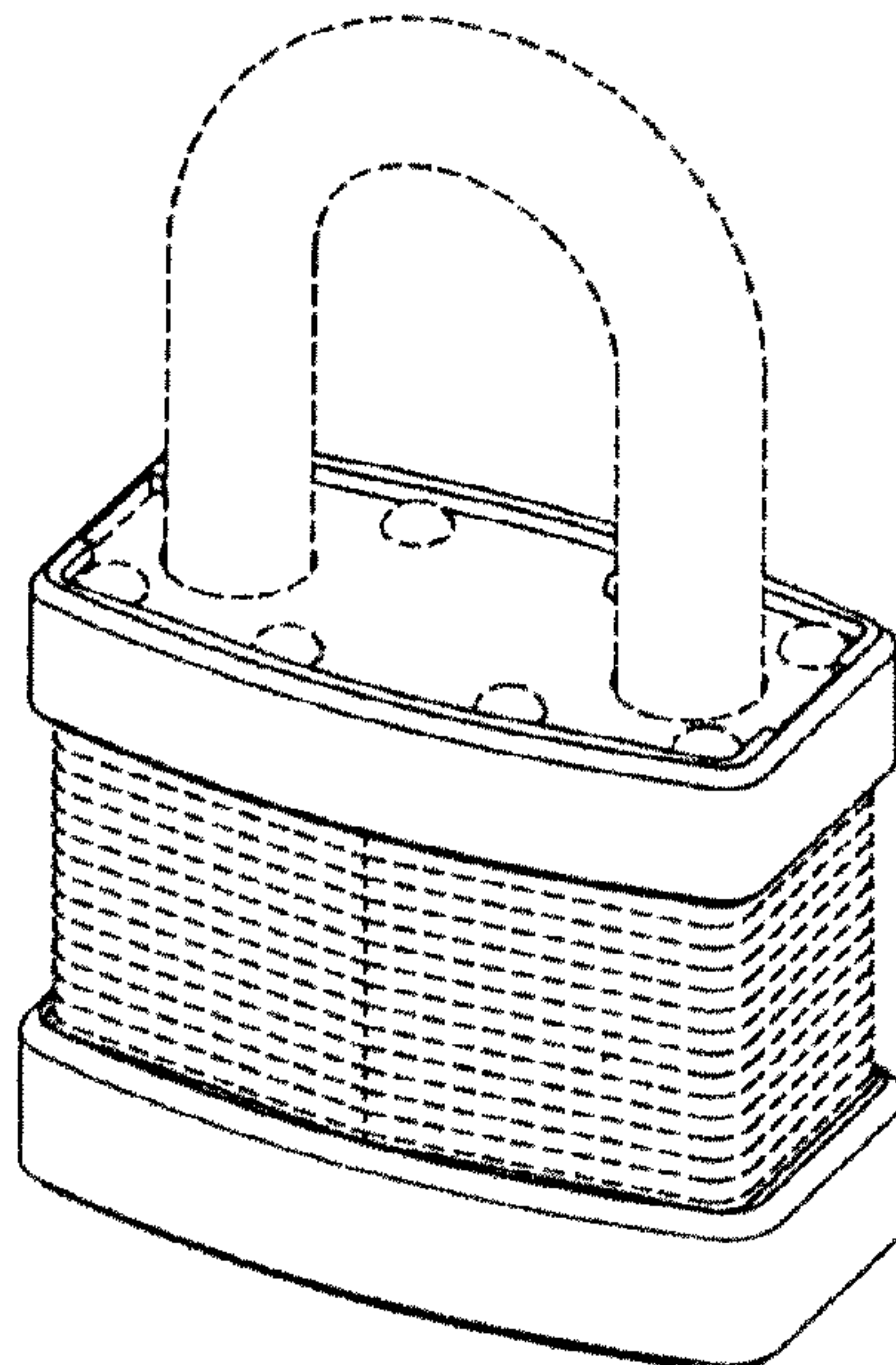
FIG. 4 is a right side elevational view of the padlock bumpers shown in FIG. 1, the left side elevational view being identical thereto;

FIG. 5 is a top plan view of the padlock bumpers shown in FIG. 1; and,

FIG. 6 is a bottom plan view of the padlock bumpers shown in FIG. 1.

The portions of the figures shown in phantom lines are not part of the claimed design, but are shown only to illustrate the context and environment of the claimed design.

**1 Claim, 3 Drawing Sheets**



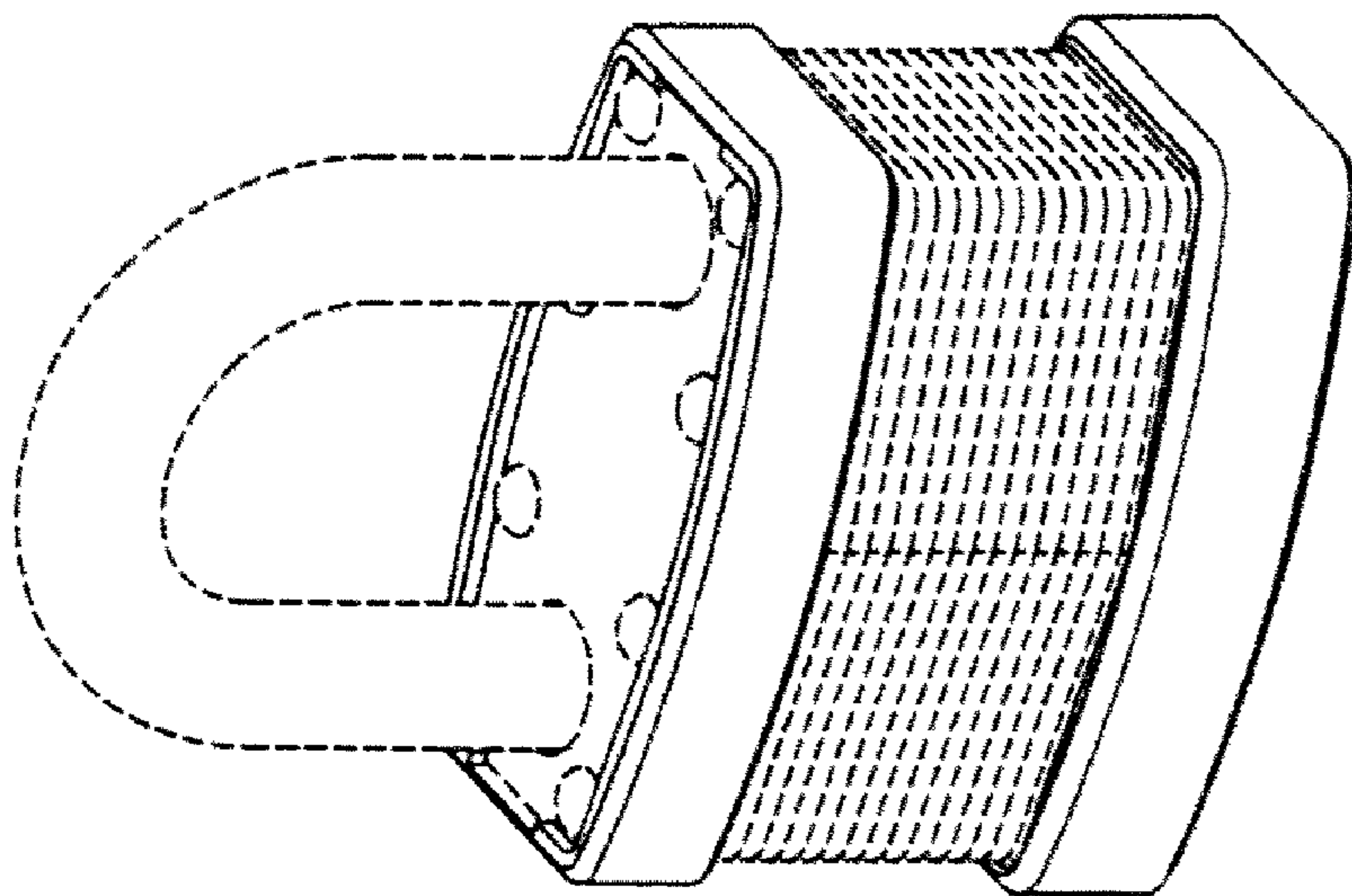


FIG. 1

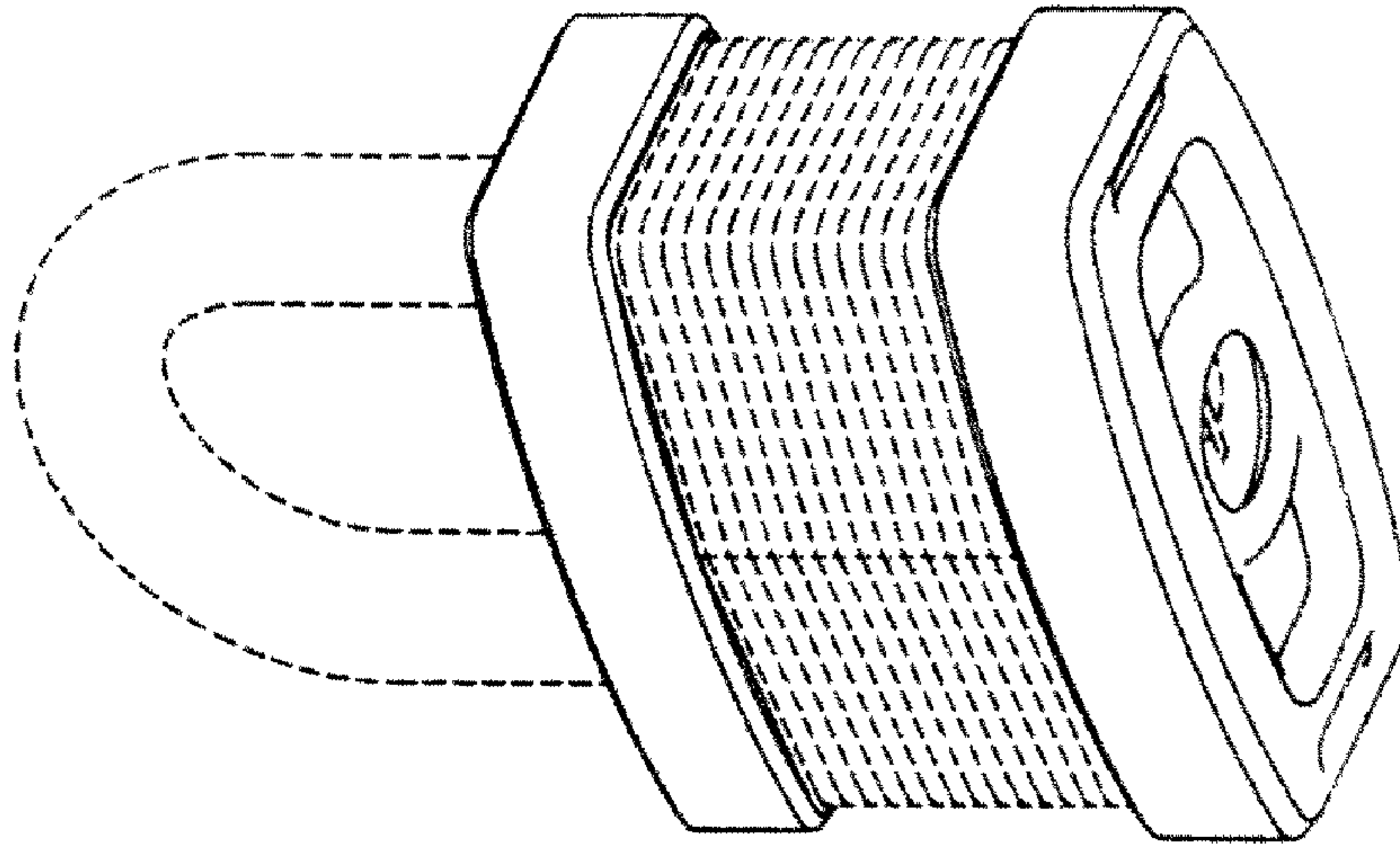


FIG. 2

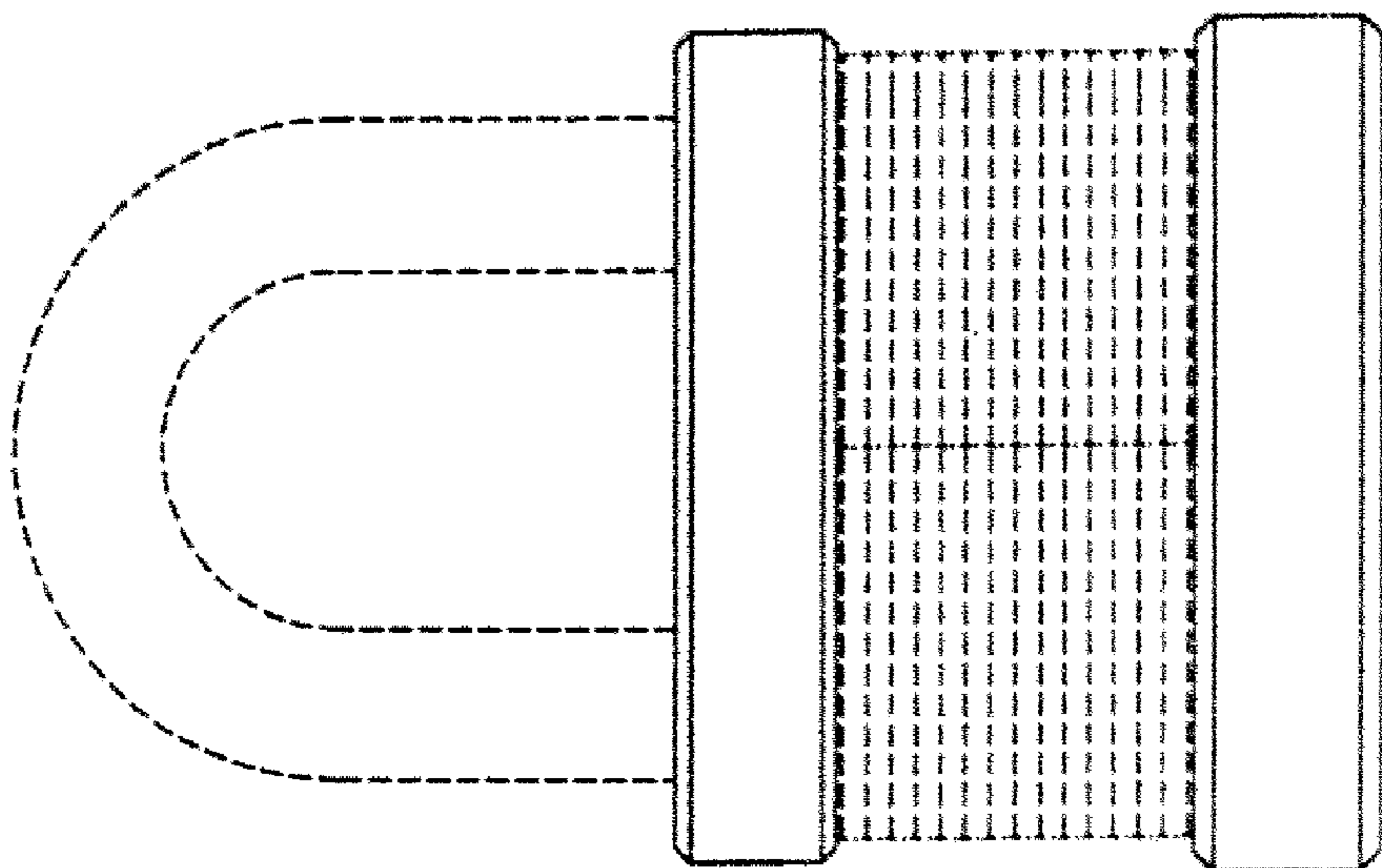


FIG. 3

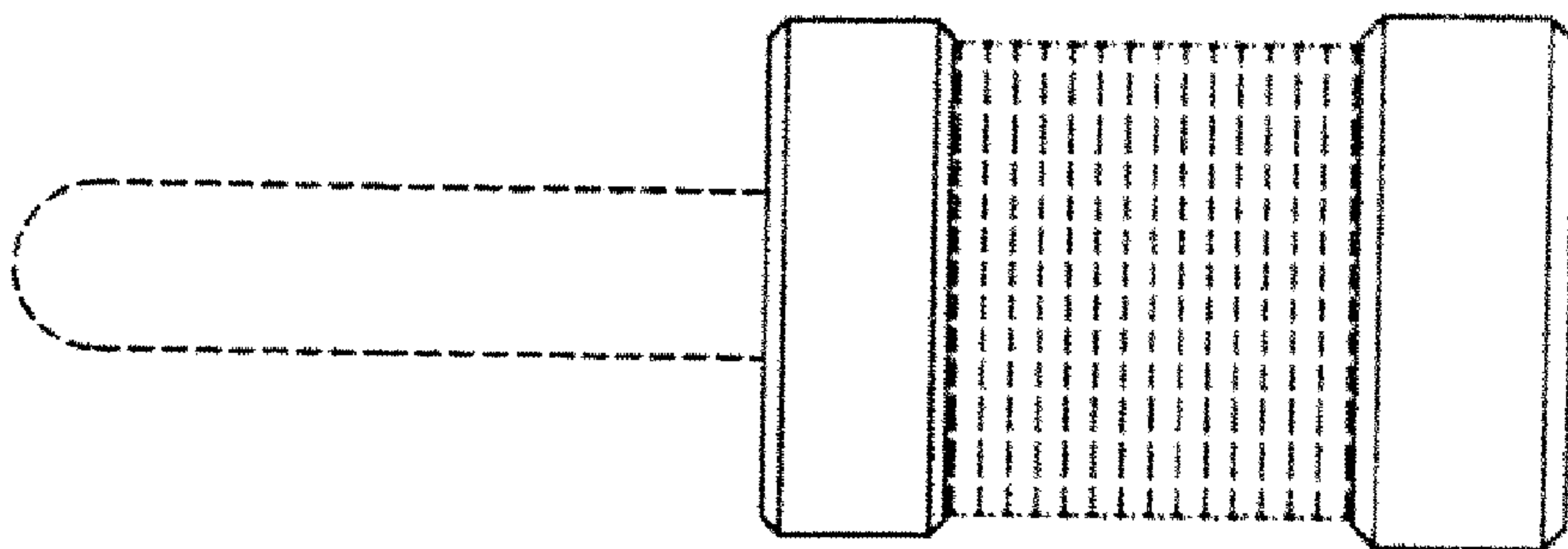


FIG. 4



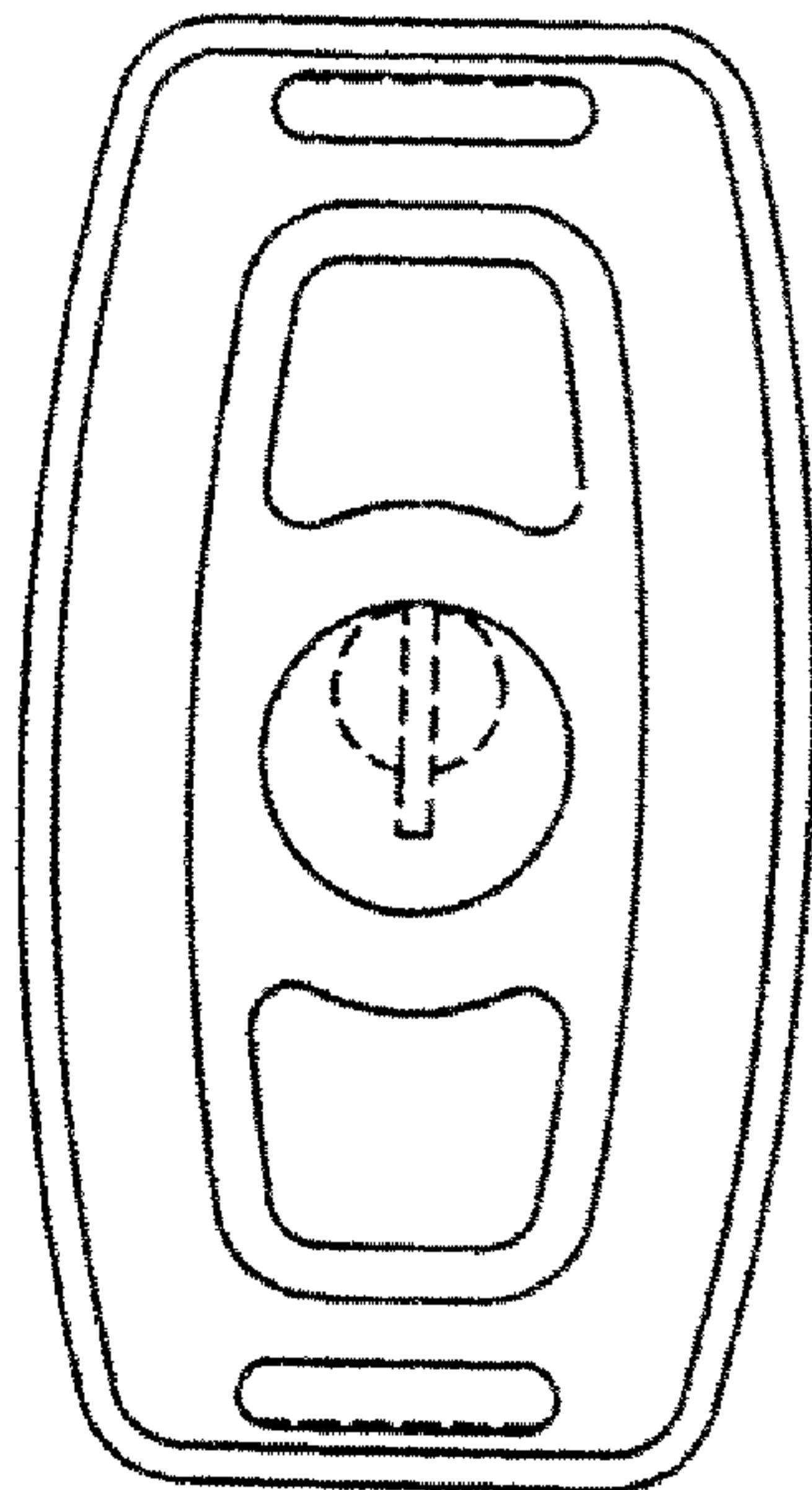


FIG. 6

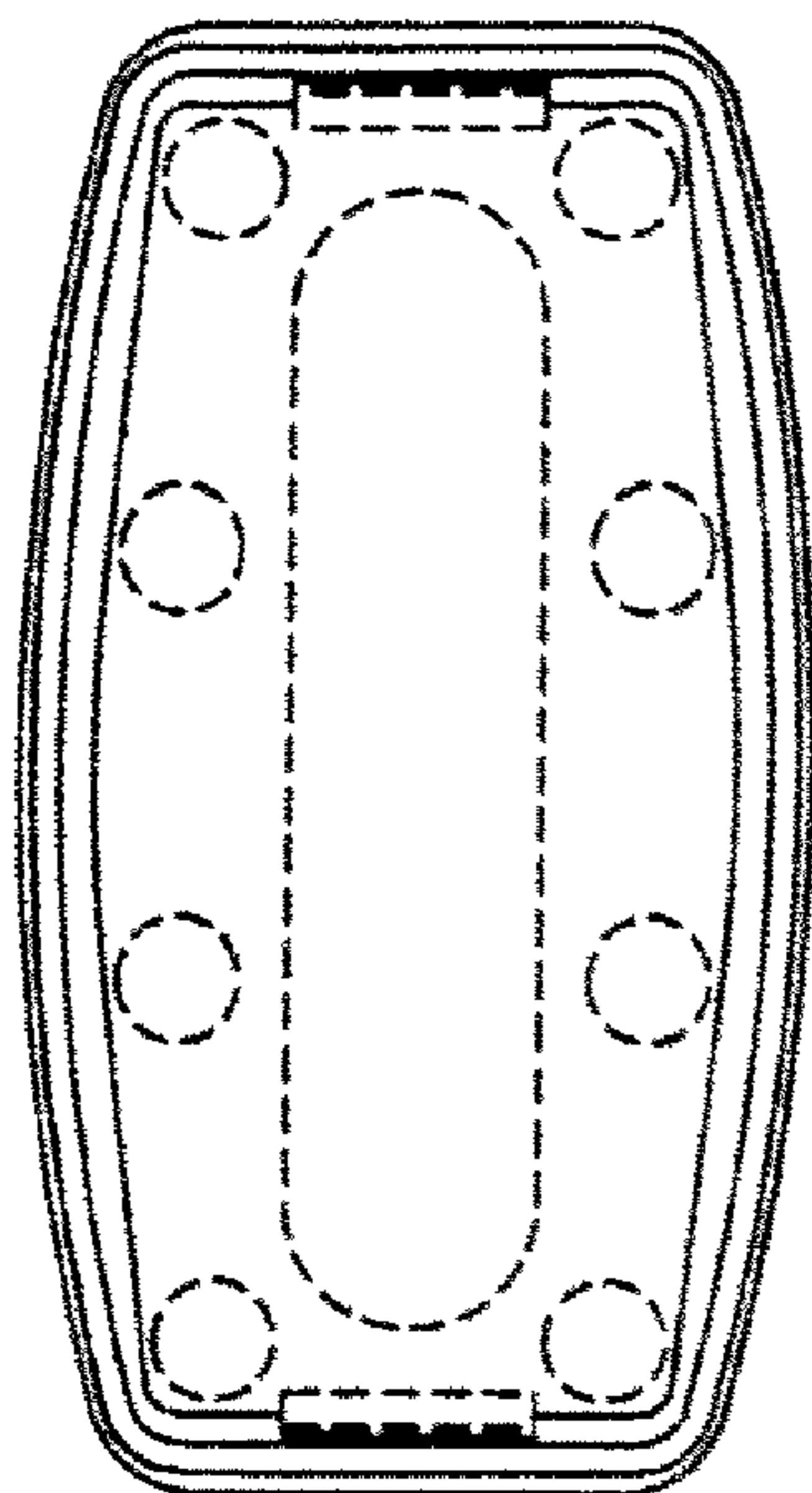


FIG. 5