



US00D646147S

(12) **United States Design Patent**
Stuckey

(10) **Patent No.:** **US D646,147 S**

(45) **Date of Patent:** **** Oct. 4, 2011**

(54) **COUPLER MEMBER FOR A LATCH
MECHANISM USED IN DOORS, HATCHES,
AND GATES**

D585,723 S 2/2009 Stuckey
D590,694 S 4/2009 Stuckey
D593,397 S 6/2009 Stuckey
D607,304 S 1/2010 Stuckey
7,665,335 B2 2/2010 Stuckey
7,722,073 B2* 5/2010 Goettker 280/513

(75) Inventor: **David Martin Stuckey**, Eaglemont (AU)

(73) Assignee: **David Stuckey Investments Pty Ltd.**
(AU)

(**) Term: **14 Years**

(21) Appl. No.: **29/378,447**

(22) Filed: **Nov. 4, 2010**

(30) **Foreign Application Priority Data**

May 5, 2010 (AU) 201011755

(51) **LOC (9) Cl.** **08-07**

(52) **U.S. Cl.** **D8/331; D8/343**

(58) **Field of Classification Search** D8/330,
D8/331, 339, 343, 344, 345, 300, 302; 70/14,
70/51-56, 141, 224, 431, 455, 466; 292/177-181,
292/282, 279, 280, 269, 273, 275, 277, 298,
292/302, 359

See application file for complete search history.

(56) **References Cited**

U.S. PATENT DOCUMENTS

4,243,256 A * 1/1981 Frydrych 292/245
5,199,285 A * 4/1993 Lin 70/220
5,890,871 A * 4/1999 Woerman 414/723
5,895,729 A * 4/1999 Phelps et al. 429/97
D436,833 S * 1/2001 Turner et al. D8/331
D439,132 S * 3/2001 Rechberg D8/339
D500,664 S * 1/2005 Myers et al. D8/343
D562,668 S 2/2008 Stuckey
7,448,236 B2* 11/2008 Recknagel et al. 70/34
7,461,856 B2* 12/2008 Goettker 280/513
D585,264 S 1/2009 Stuckey
D585,722 S 2/2009 Stuckey

FOREIGN PATENT DOCUMENTS

WO WO 2006/005109 A1 1/2006
WO WO 2006/076779 A1 7/2006
WO WO 2006/092009 A1 9/2006
WO WO 2007/140532 A1 12/2007
WO WO 2008/040086 A1 4/2008
WO WO 2009/021284 A1 2/2009
WO WO 2009/135266 A1 11/2009
WO WO 2010/006371 A1 1/2010

* cited by examiner

Primary Examiner — Prabhakar Deshmukh

(74) *Attorney, Agent, or Firm* — Craig A. Fieschko, Esq.;
DeWitt Ross & Steven S.C.

(57) **CLAIM**

I claim the ornamental design for a coupler member for a latch mechanism used in doors, hatches, and gates, as shown.

DESCRIPTION

FIG. 1 is a top perspective view of a coupler member for a latch mechanism used in doors, hatches, and gates showing my new design;

FIG. 2 is a rear side elevational view thereof;

FIG. 3 is a top plan view thereof, the bottom plan view being identical;

FIG. 4 is a right side elevational view thereof, the left side elevational view being a mirror image; and,

FIG. 5 is a front side elevational view thereof.

The broken line drawing of the apertures in FIGS. 1-5 is for illustrative purposes only and forms no part of the claimed design.

1 Claim, 1 Drawing Sheet

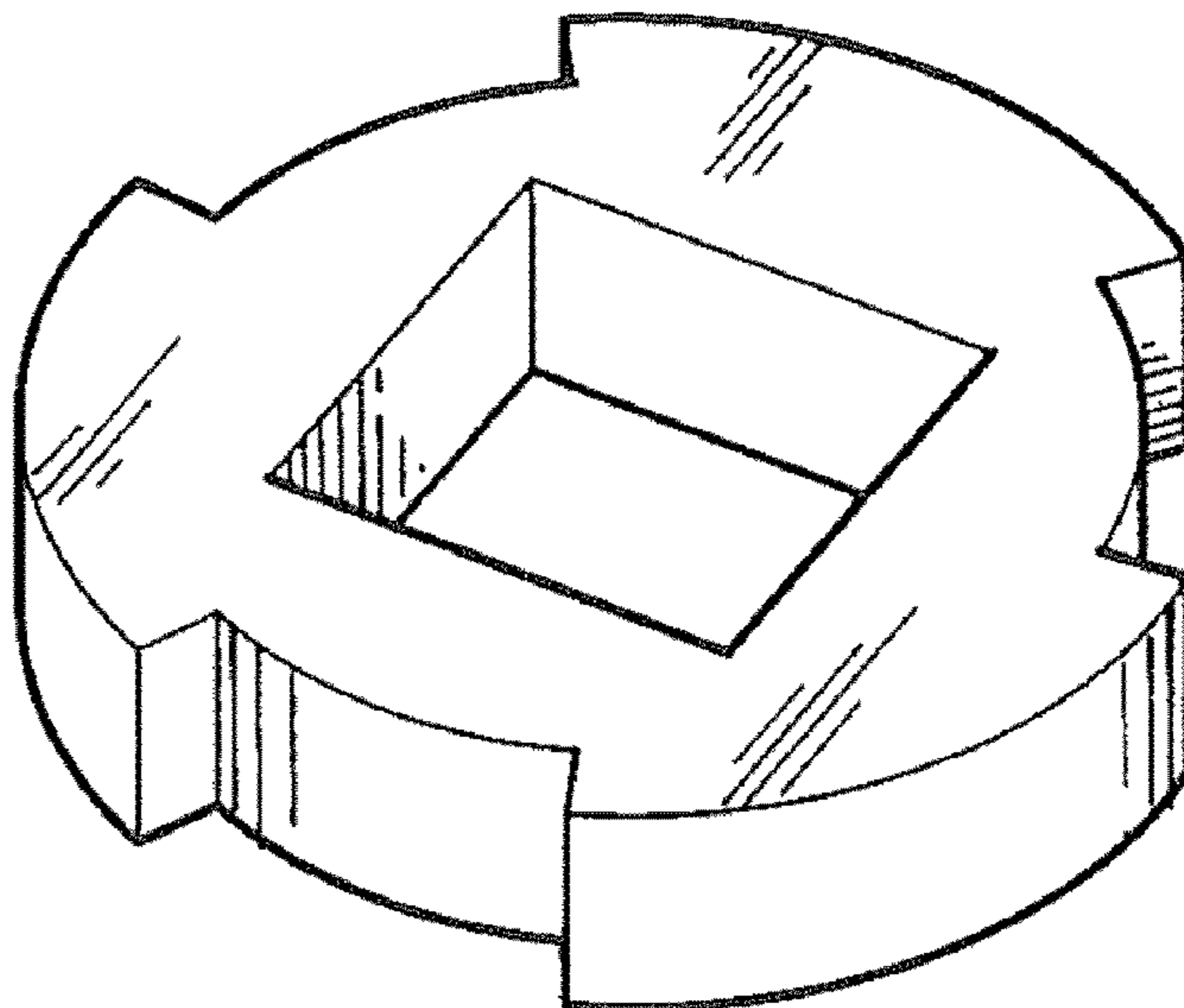


FIG. 1

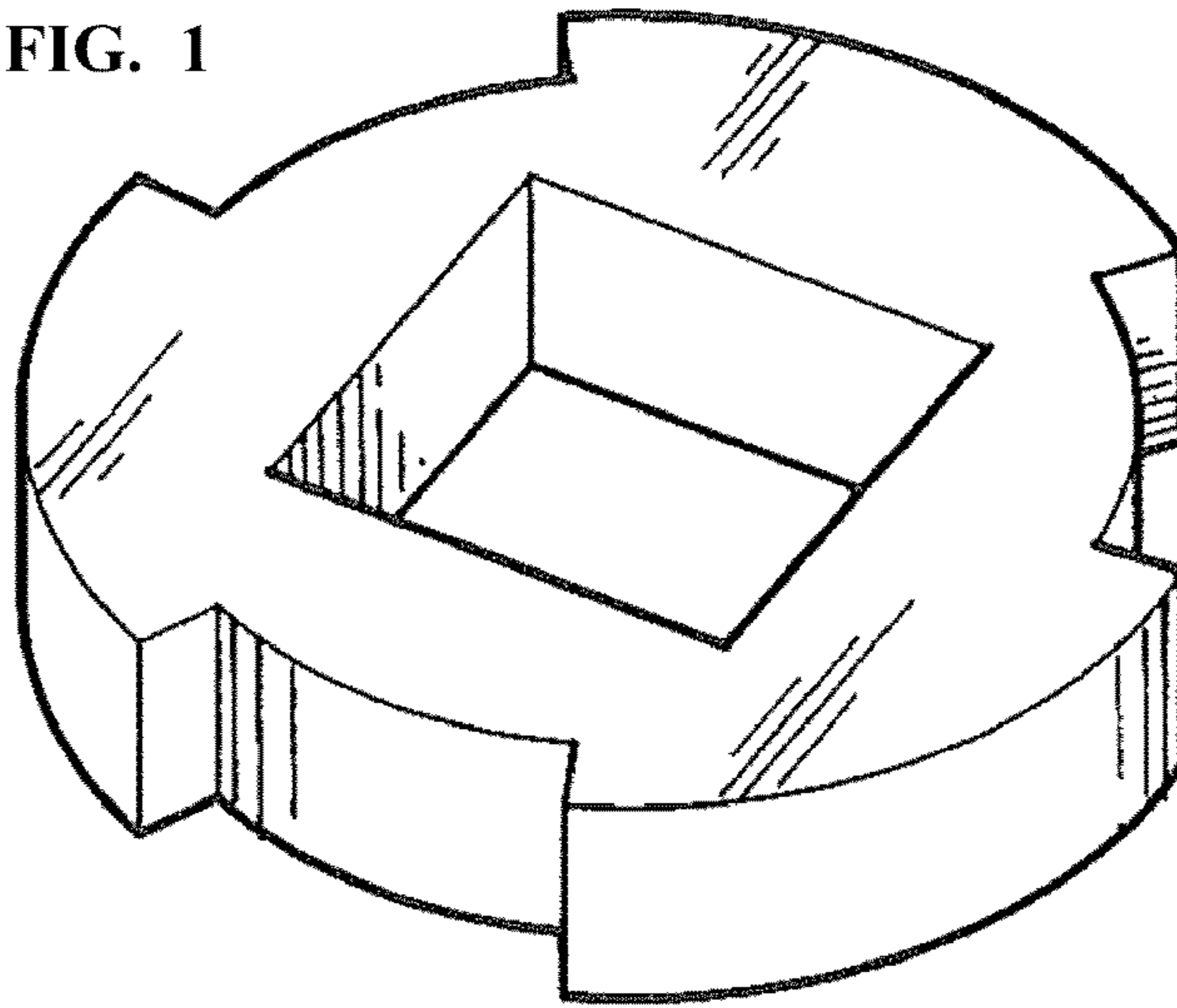


FIG. 2



FIG. 3

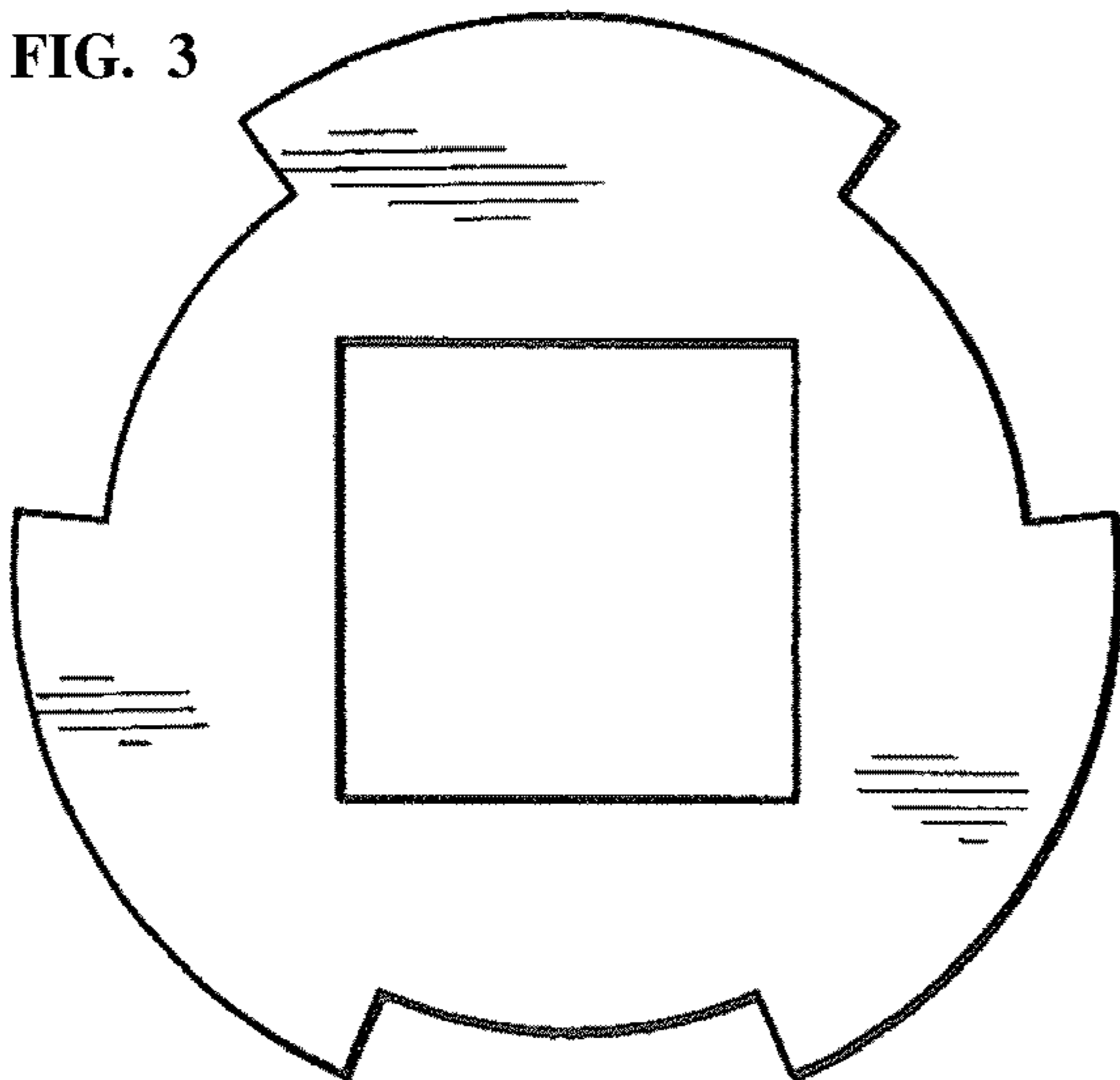


FIG. 5

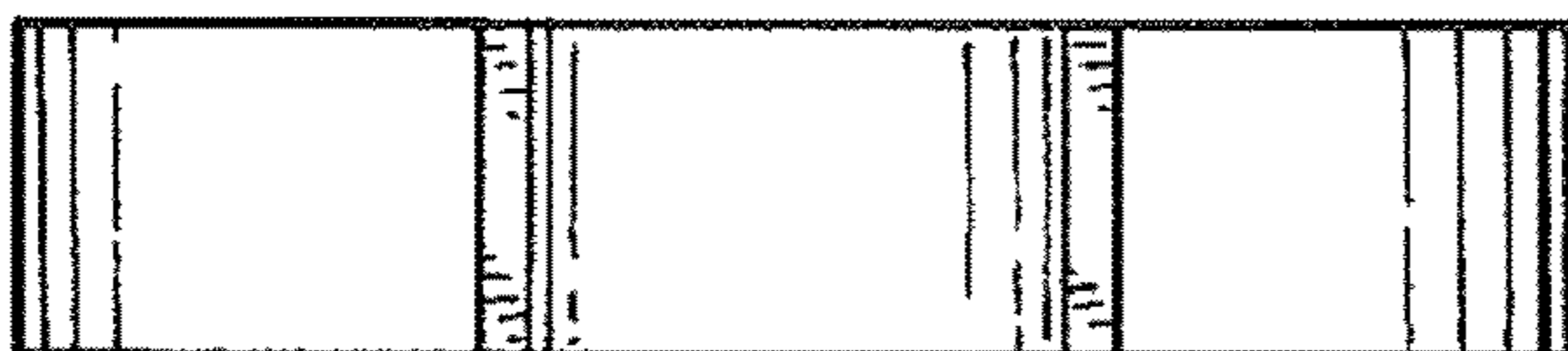


FIG. 4

