



US00D646146S

(12) **United States Design Patent**
Stuckey

(10) **Patent No.:** **US D646,146 S**
(45) **Date of Patent:** **** Oct. 4, 2011**

(54) **PLATE FOR A LATCH MECHANISM USED IN DOORS, HATCHES, AND GATES**

(75) Inventor: **David Martin Stuckey**, Eaglemont (AU)

(73) Assignee: **David Stuckey Investments Pty Ltd.**
(AU)

(**) Term: **14 Years**

(21) Appl. No.: **29/378,445**

(22) Filed: **Nov. 4, 2010**

(30) **Foreign Application Priority Data**

May 5, 2010 (AU) 11754/2010

(51) **LOC (9) Cl.** **08-07**

(52) **U.S. Cl.** **D8/331; D8/343**

(58) **Field of Classification Search** D8/330,
D8/331, 339, 343, 344, 345, 300, 302; 70/14,
70/51-56, 141, 224, 431, 455, 466; 292/177-181,
292/282, 279, 280, 269, 273, 275, 277, 298,
292/302, 359

See application file for complete search history.

(56) **References Cited**

U.S. PATENT DOCUMENTS

1,759,374	A *	5/1930	Schlage	70/450
3,361,464	A *	1/1968	Foster	292/245
D465,398	S *	11/2002	Linares et al.	D8/302
6,567,264	B2 *	5/2003	Megason	361/679.58
D490,686	S *	6/2004	Martin	D8/343
D495,237	S *	8/2004	Tozer	D8/343
D520,860	S *	5/2006	Martin	D8/343
D562,668	S	2/2008	Stuckey	
D573,444	S *	7/2008	Hardt, II	D8/343

D585,264	S *	1/2009	Stuckey	D8/321
D585,722	S	2/2009	Stuckey	
D585,723	S	2/2009	Stuckey	
D590,694	S	4/2009	Stuckey	
D593,397	S	6/2009	Stuckey	
D595,110	S *	6/2009	Berstler et al.	D8/337
D607,304	S	1/2010	Stuckey	
7,665,335	B2	2/2010	Stuckey	
7,866,987	B2 *	1/2011	Chen	439/73

FOREIGN PATENT DOCUMENTS

WO	WO 2006/005109	A1	1/2006
WO	WO 2006/076779	A1	7/2006
WO	WO 2006/092009	A1	9/2006
WO	WO 2007/140532	A1	12/2007
WO	WO 2008/040086	A1	4/2008
WO	WO 2009/021284	A1	2/2009
WO	WO 2009/135266	A1	11/2009
WO	WO 2010/006371	A1	1/2010

* cited by examiner

Primary Examiner — Prabhakar Deshmukh

(74) *Attorney, Agent, or Firm* — Craig A. Fieschko, Esq.;
DeWitt Ross & Stevens S.C.

(57) **CLAIM**

I claim the ornamental design for a plate for a latch mechanism used in doors, hatches, and gates, as shown.

DESCRIPTION

FIG. 1 is a top perspective view of a plate for a latch mechanism used in doors, hatches, and gates showing my design; FIG. 2 is a bottom perspective view thereof; FIG. 3 is a left side elevational view thereof, the right side elevational view being a mirror image; FIG. 4 is a front side elevational view thereof, the rear side elevational view being a mirror image; and, FIG. 5 is a top plan view thereof.

1 Claim, 2 Drawing Sheets

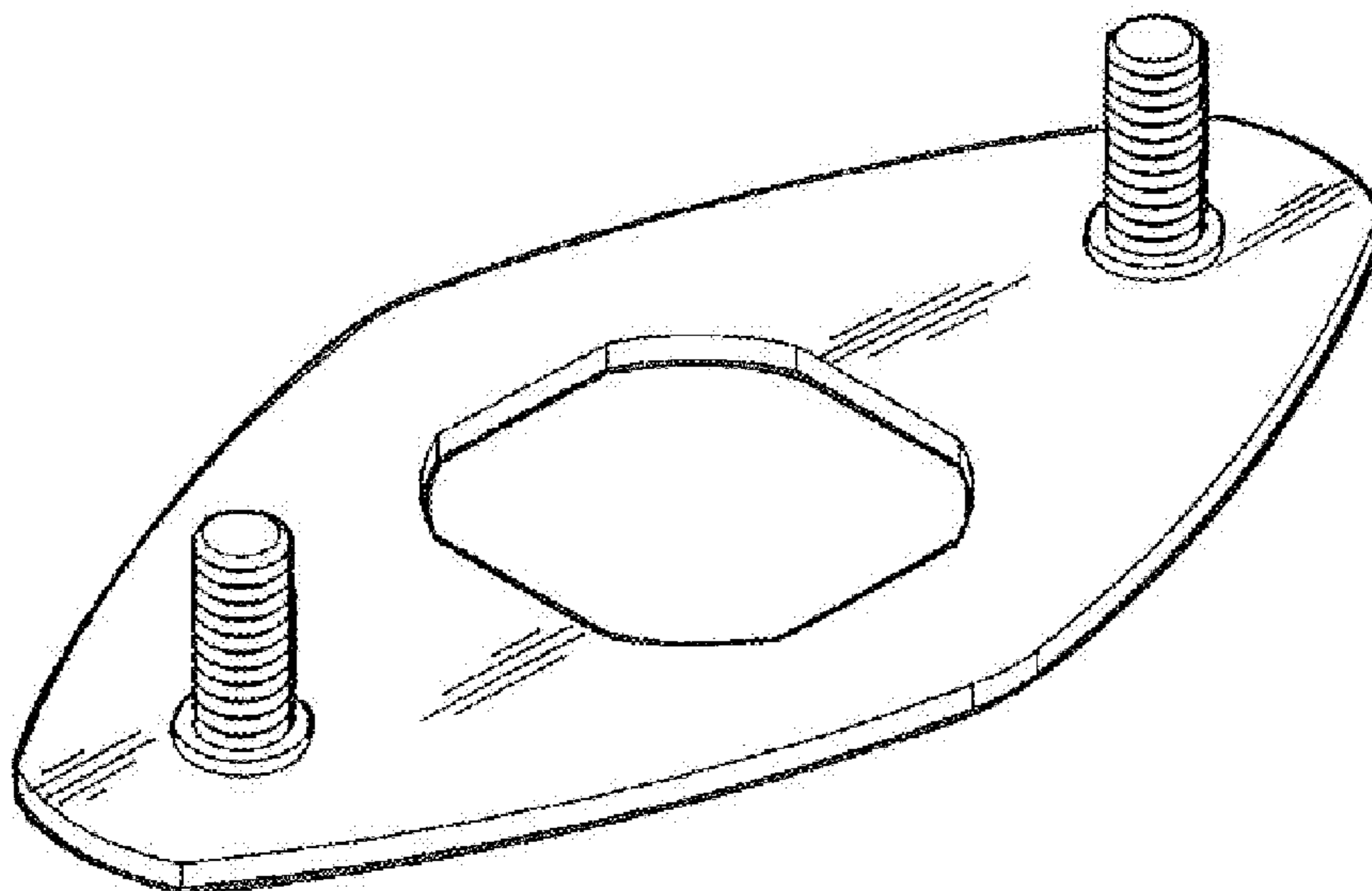


FIG. 1

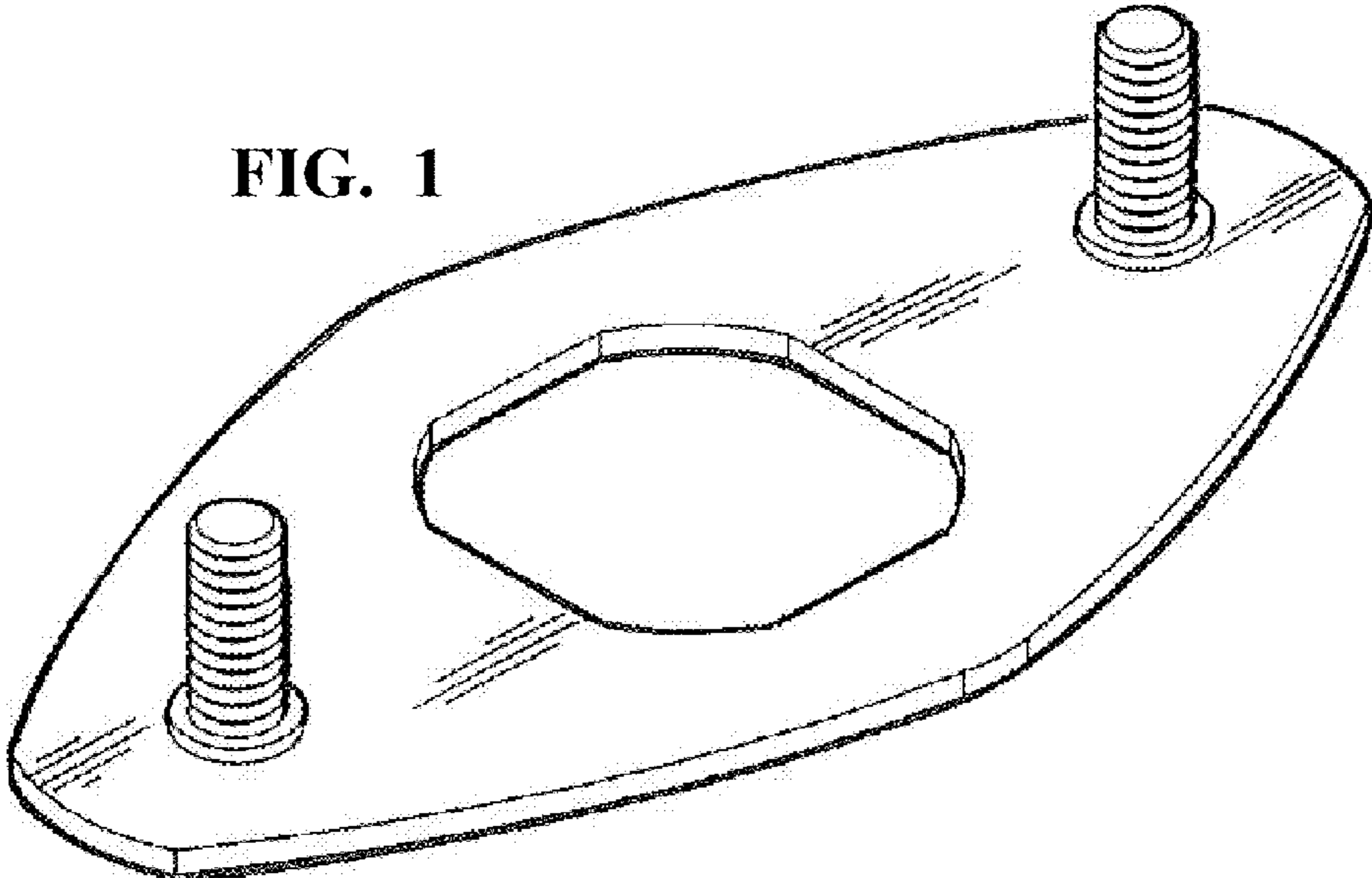


FIG. 2

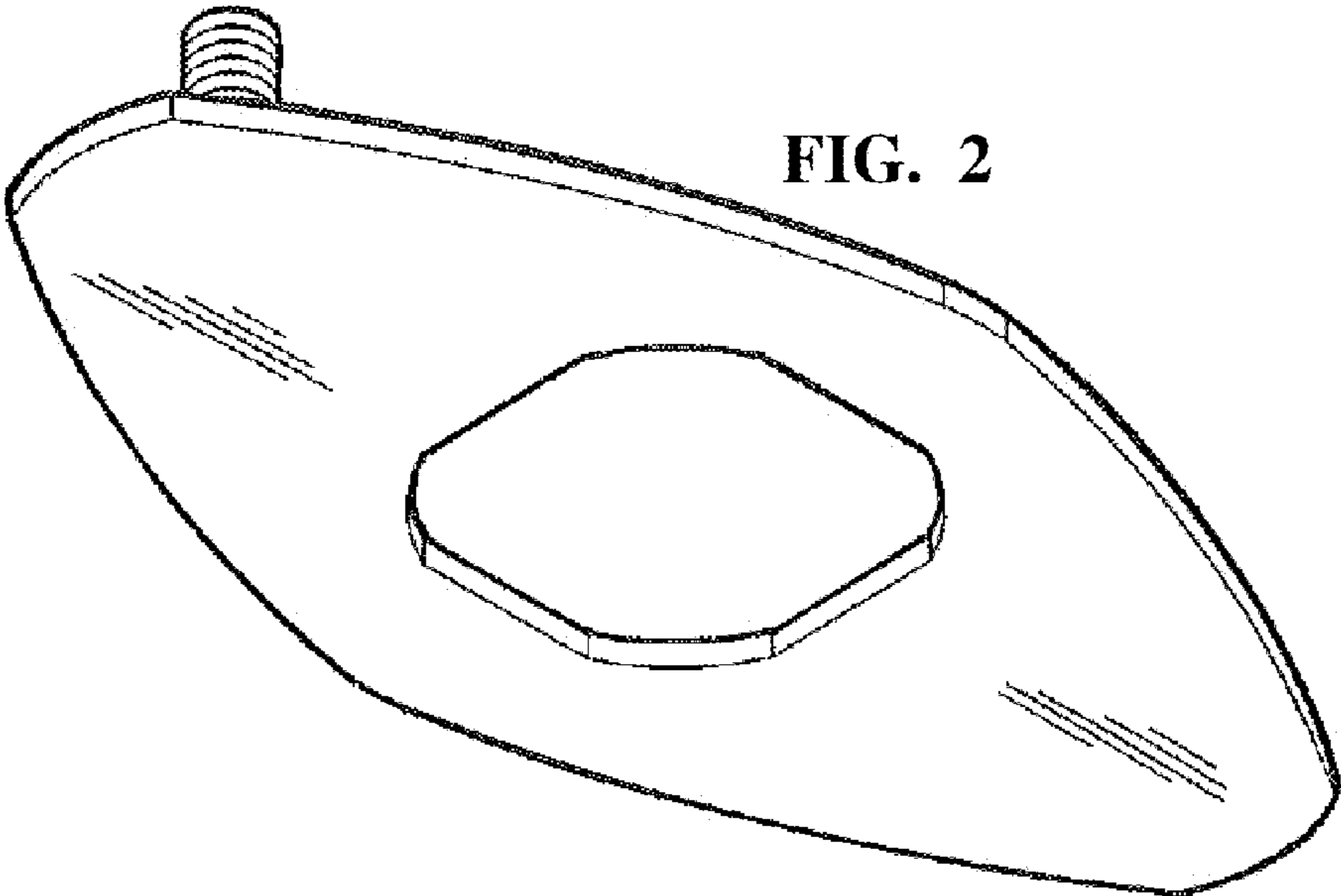


FIG. 3

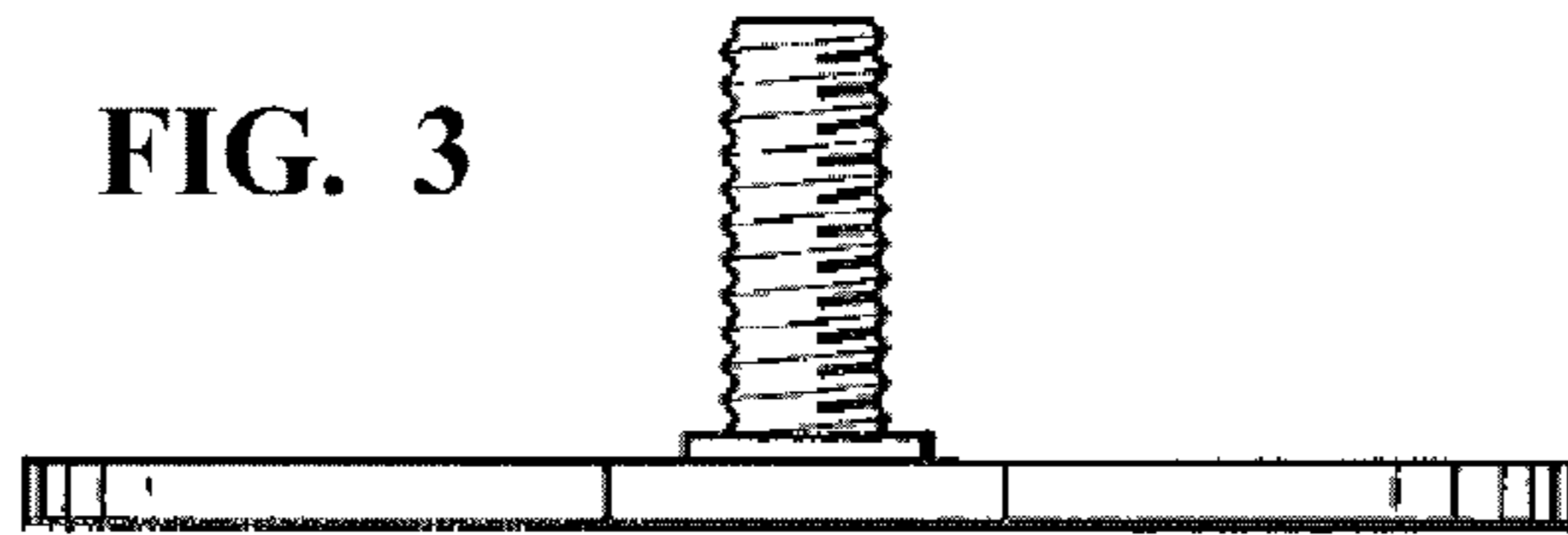


FIG. 4

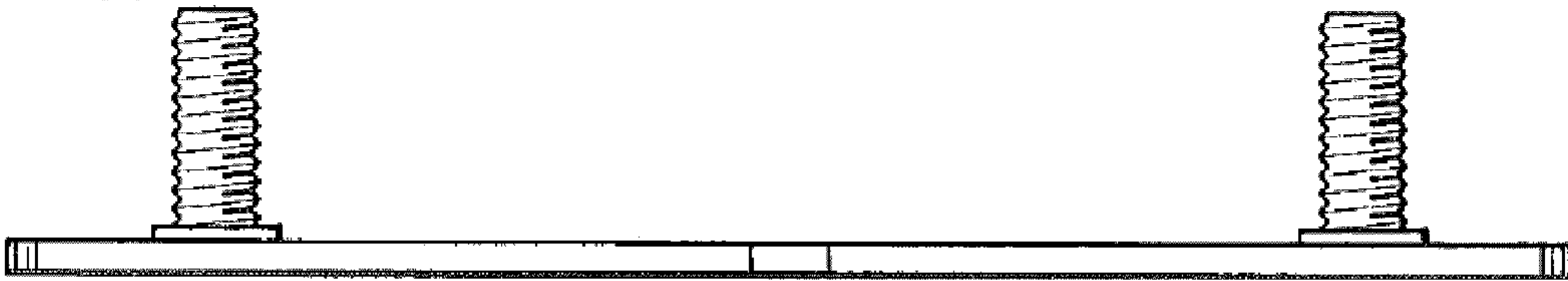


FIG. 5

