



US00D646145S

(12) **United States Design Patent**
Stuckey

(10) **Patent No.:** **US D646,145 S**
(45) **Date of Patent:** **** Oct. 4, 2011**

(54) **COUPLER SHAFT FOR A LATCH
MECHANISM USED IN DOORS, HATCHES,
AND GATES**

D585,264 S	1/2009	Stuckey	
D585,722 S	2/2009	Stuckey	
D585,723 S	2/2009	Stuckey	
D590,694 S	4/2009	Stuckey	
D593,397 S	6/2009	Stuckey	
D607,304 S	1/2010	Stuckey	
7,665,335 B2	2/2010	Stuckey	
7,722,384 B2*	5/2010	Breen, IV 439/441

(75) Inventor: **David Martin Stuckey**, Eaglemont (AU)

(73) Assignee: **David Stuckey Investments Pty Ltd.**
(AU)

(**) Term: **14 Years**

(21) Appl. No.: **29/378,442**

(22) Filed: **Nov. 4, 2010**

(30) **Foreign Application Priority Data**

May 5, 2010 (AU) 201011753

(51) **LOC (9) Cl.** **08-07**

(52) **U.S. Cl.** **D8/331; D8/343**

(58) **Field of Classification Search** D8/330,
D8/331, 339, 343, 344, 345, 300, 302; 70/14,
70/51-56, 141, 224, 431, 455, 466; 292/177-181,
292/282, 279, 280, 269, 273, 275, 277, 298,
292/302, 359

See application file for complete search history.

(56) **References Cited**

U.S. PATENT DOCUMENTS

1,927,264 A *	9/1933	Hoffman	292/178
3,877,719 A *	4/1975	Lewis et al.	280/733
4,689,978 A *	9/1987	Drummond	70/431
5,010,755 A *	4/1991	Best	70/422
D350,686 S *	9/1994	Myers	D8/343
D361,501 S *	8/1995	Myers	D8/331
D370,621 S *	6/1996	Themistos et al.	D8/343
5,556,493 A *	9/1996	Teder et al.	156/64
5,671,624 A *	9/1997	Sivils	70/408
D494,840 S *	8/2004	Senn	D8/344
D520,861 S *	5/2006	Jornod et al.	D8/343
D562,668 S	2/2008	Stuckey		

FOREIGN PATENT DOCUMENTS

WO	WO 2006/005109	A1	1/2006
WO	WO 2006/076779	A1	7/2006
WO	WO 2006/092009	A1	9/2006
WO	WO 2007/140532	A1	12/2007
WO	WO 2008/040086	A1	4/2008
WO	WO 2009/021284	A1	2/2009
WO	WO 2009/135266	A1	11/2009
WO	WO 2010/006371	A1	1/2010

* cited by examiner

Primary Examiner — Prabhakar Deshmukh

(74) *Attorney, Agent, or Firm* — Craig A. Fieschko, Esq.;
DeWitt Ross & Stevens S.C.

(57) **CLAIM**

I claim the ornamental design for a coupler shaft for a latch mechanism used in doors, hatches, and gates, as shown and described.

DESCRIPTION

FIG. 1 is a top, front and left perspective view of a coupler shaft for a latch mechanism used in doors, hatches, and gates showing my new design;

FIG. 2 is a top plan view thereof;

FIG. 3 is a bottom plan view thereof;

FIG. 4 is a front side elevational view thereof; and,

FIG. 5 is a right side elevational view thereof.

The broken line drawing of the inner shaft in FIGS. 1-5 is for illustrative purposes only and forms no part of the claimed design.

1 Claim, 2 Drawing Sheets

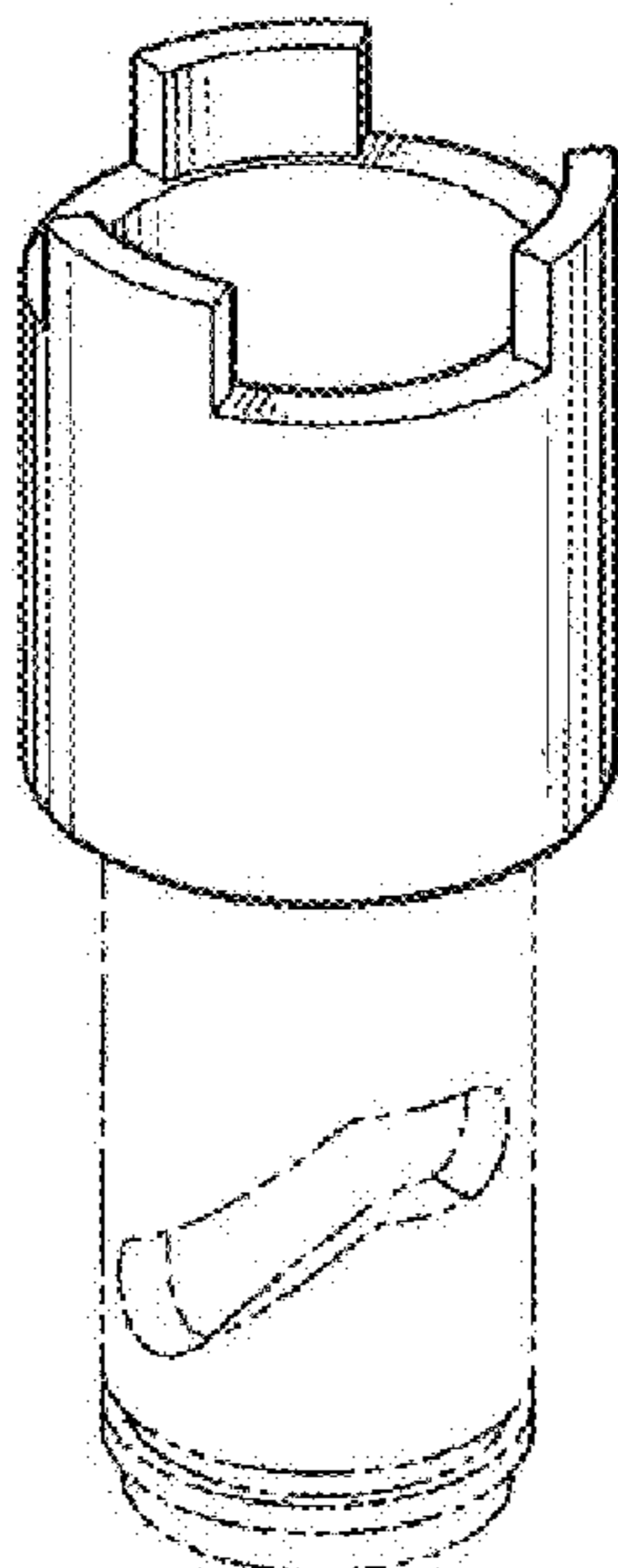


FIG. 1

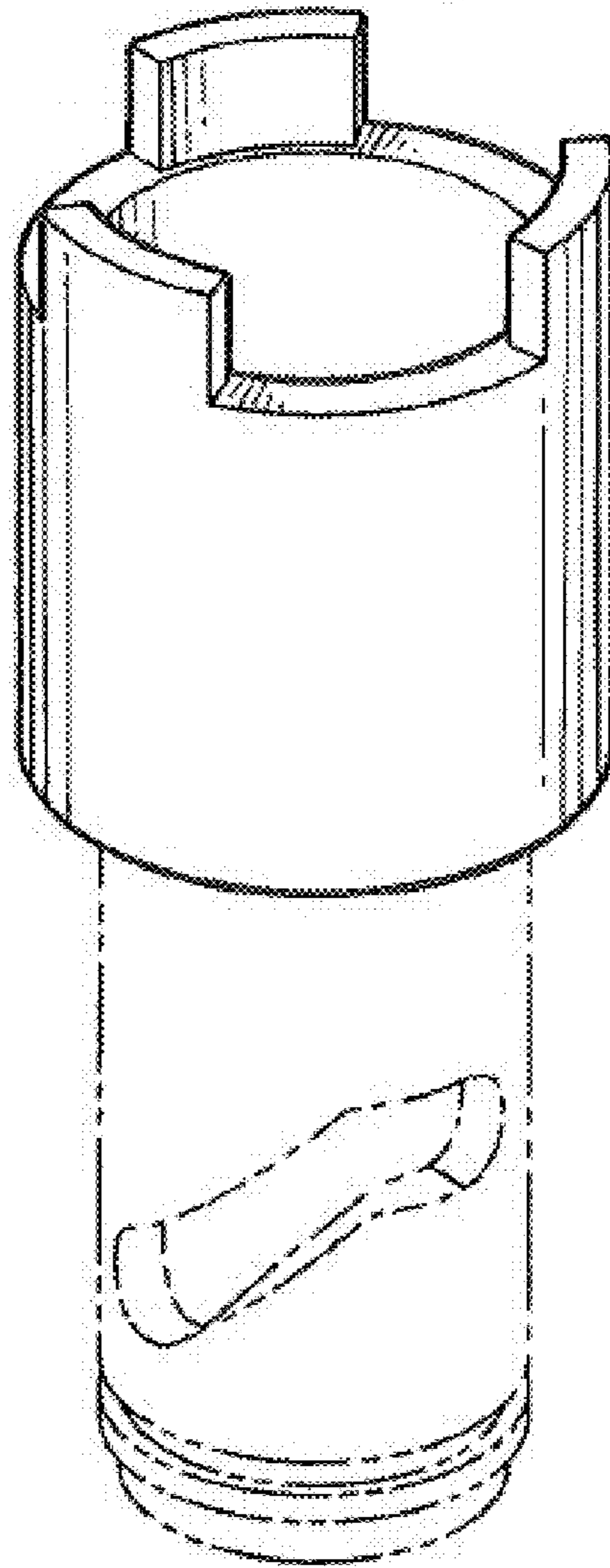


FIG. 2

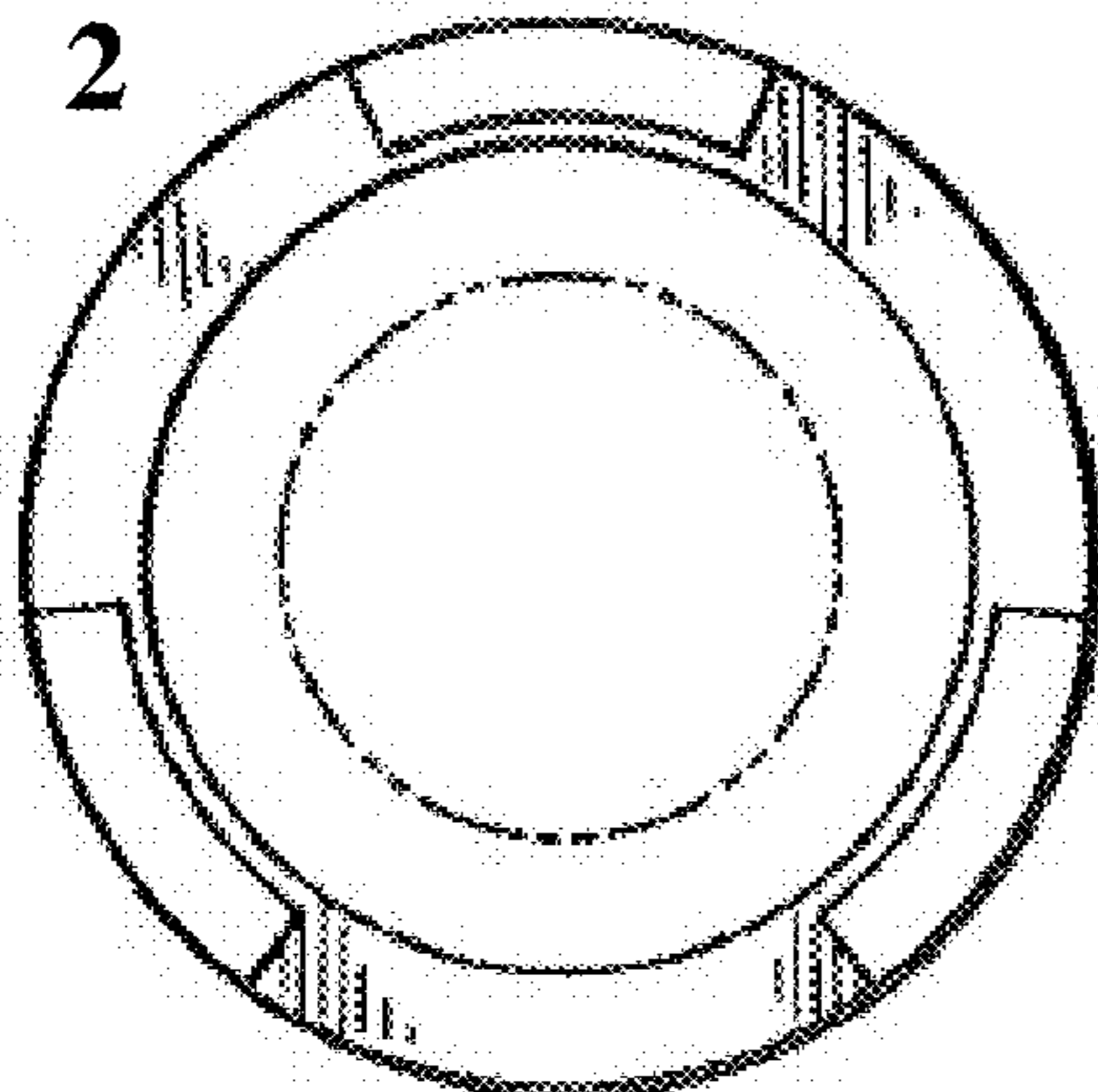


FIG. 3

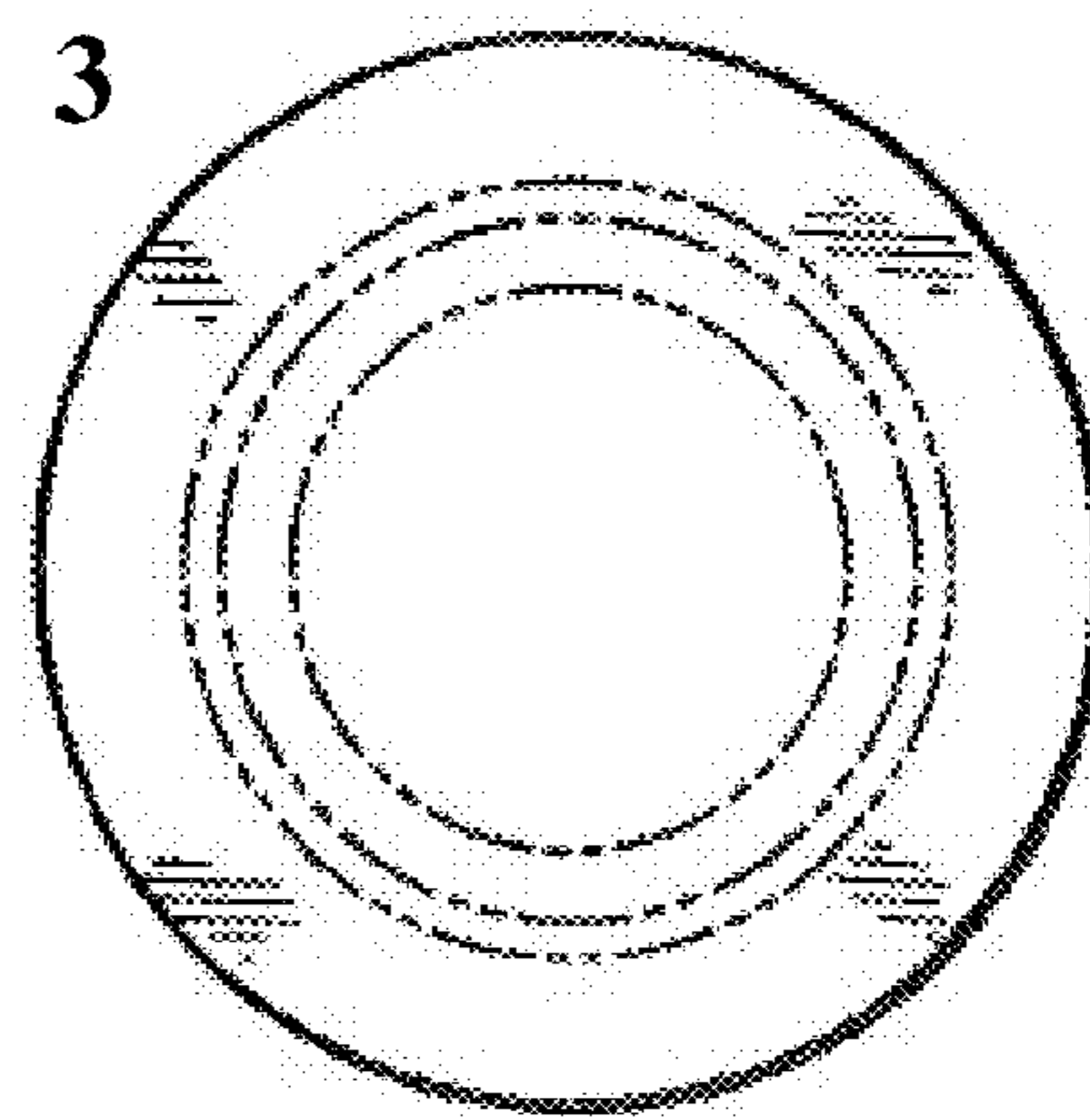


FIG. 4

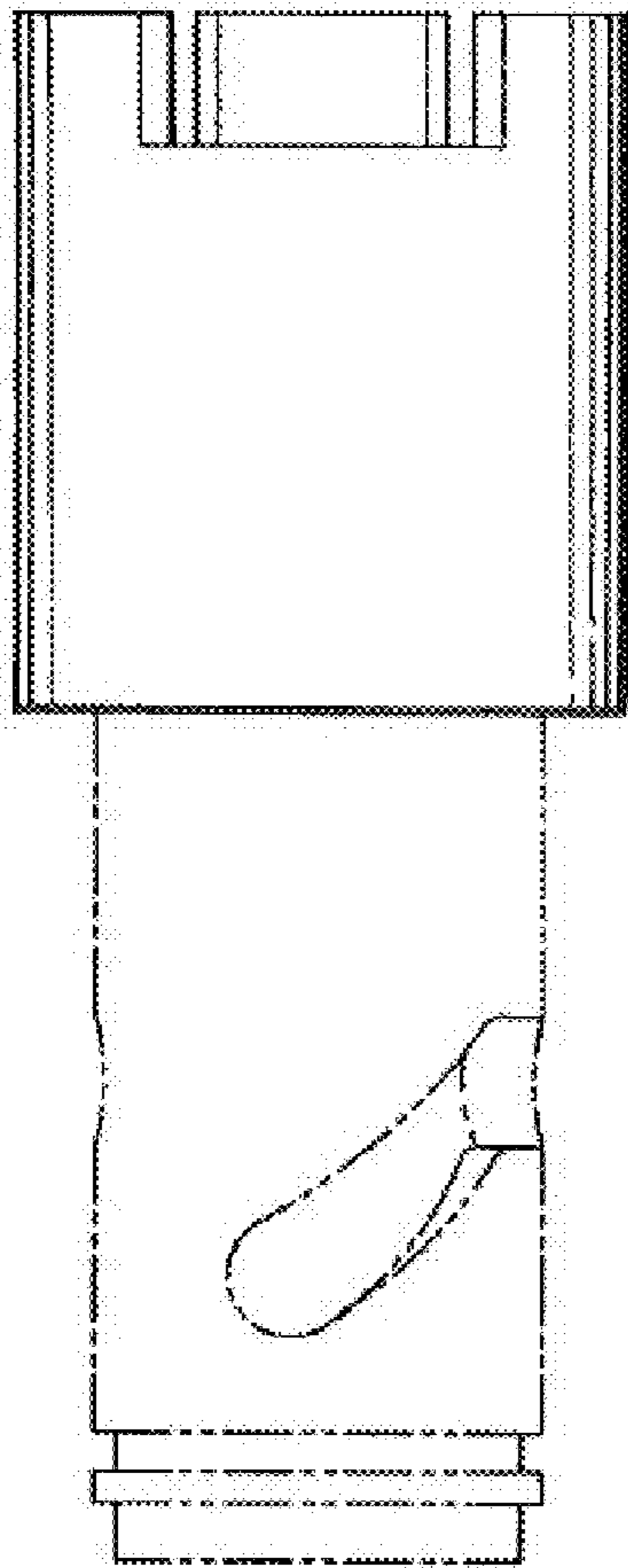


FIG. 5

