



US00D646144S

(12) **United States Design Patent**
Osaki

(10) **Patent No.:** **US D646,144 S**

(45) **Date of Patent:** **** Oct. 4, 2011**

(54) **HINGE FOR FURNITURE**

(75) Inventor: **Masahiro Osaki**, Tokyo (JP)

(73) Assignee: **Sagatsune Kogyo Co., Ltd.**, Tokyo (JP)

(**) Term: **14 Years**

(21) Appl. No.: **29/347,681**

(22) Filed: **Apr. 9, 2010**

(30) **Foreign Application Priority Data**

Oct. 14, 2009 (JP) 2009-024056

(51) **LOC (9) Cl.** **08-06**

(52) **U.S. Cl.** **D8/329**

(58) **Field of Classification Search** D8/328,
D8/323, 324, 330, 325, 327, 331, 336, 353,
D8/338, 329; D16/334; 4/236, 240; 16/309,
16/235, 275, 244, 379, 390, 430, 241, 238,
16/245, 236, 243, 242, 385, 225, 250; 49/381;
D23/302, 303; 248/682; D10/69; 33/347,
33/365-390; D3/905

See application file for complete search history.

(56) **References Cited**

U.S. PATENT DOCUMENTS

D4,489 S *	11/1870	Tiffany	D8/323
2,050,045 A *	8/1936	Eden, Jr.	72/261
D299,616 S *	1/1989	Ferrari	D8/323
5,253,390 A *	10/1993	Gross et al.	16/257
5,577,297 A *	11/1996	Lautenschlager et al.	16/382
D395,590 S *	6/1998	Finkelstein et al.	D8/323
D451,000 S *	11/2001	Karl	D8/323
6,760,955 B2 *	7/2004	Salice	16/382

* cited by examiner

Primary Examiner — Cynthia Underwood

(74) *Attorney, Agent, or Firm* — Bacon & Thomas, PLLC

(57) **CLAIM**

The ornamental design for a hinge for furniture, as shown and described.

DESCRIPTION

FIG. 1 is a front view of a hinge for furniture embodying my new design;

FIG. 2 is a rear view thereof;

FIG. 3 is a top plan view thereof;

FIG. 4 is a bottom view thereof;

FIG. 5 is a right side view thereof;

FIG. 6 is a left side view thereof;

FIG. 7 is a sectional view taken along line 7-7 of FIG. 1;

FIG. 8 is a sectional view taken along line 8-8 of FIG. 1;

FIG. 9 is a top plan view of the hinge for furniture in an open state;

FIG. 10 is a top plan view of the hinge for furniture in a partially closed state;

FIG. 11 is a perspective view;

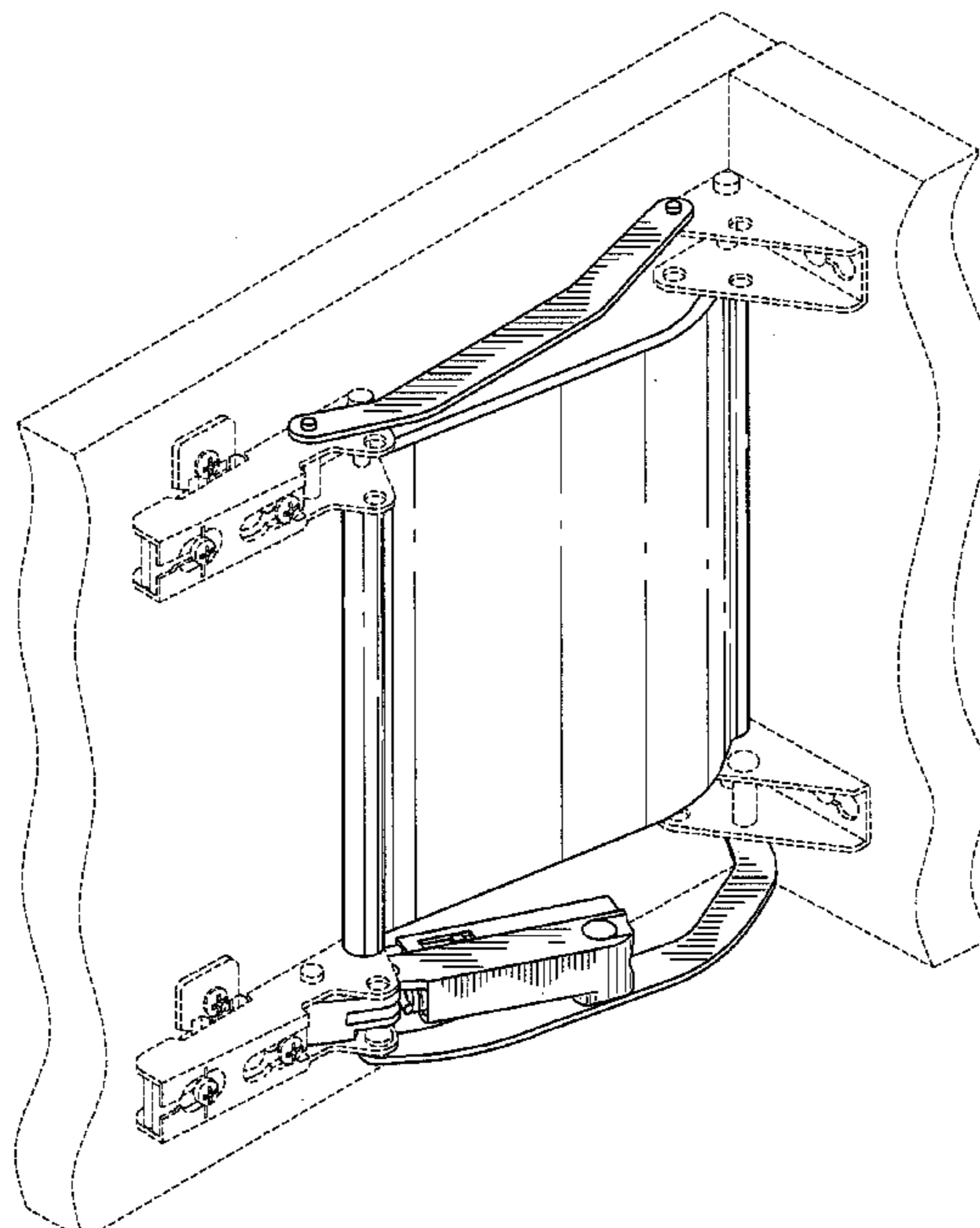
FIG. 12 is a perspective view showing the item in use in a closed state;

FIG. 13 is a perspective view showing the item in use in a partially open state; and,

FIG. 14 is a perspective view showing the item in use in an open state.

The broken lines represent portions of the structure and the environment of use that form no part of the claim.

1 Claim, 14 Drawing Sheets



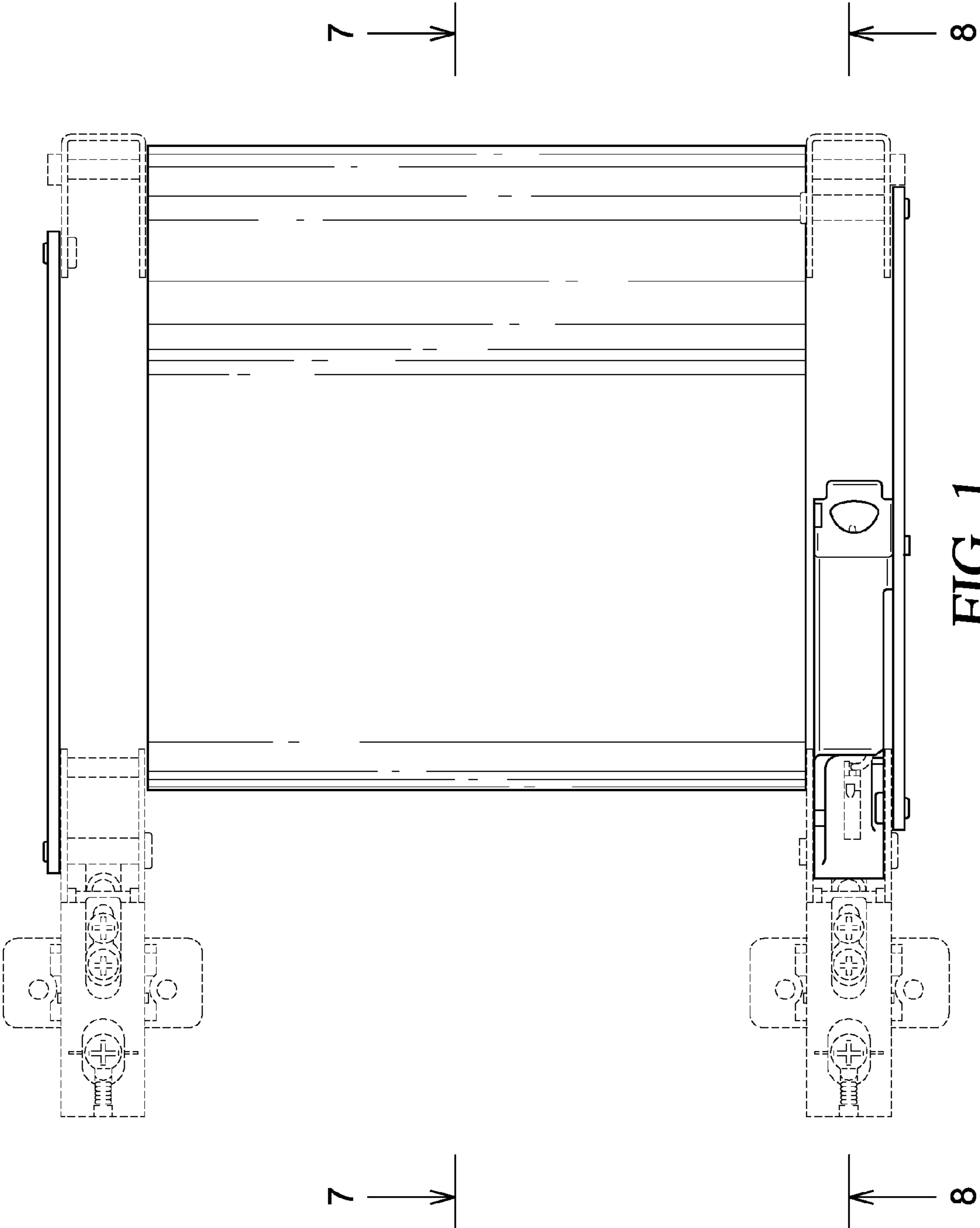


FIG. 1

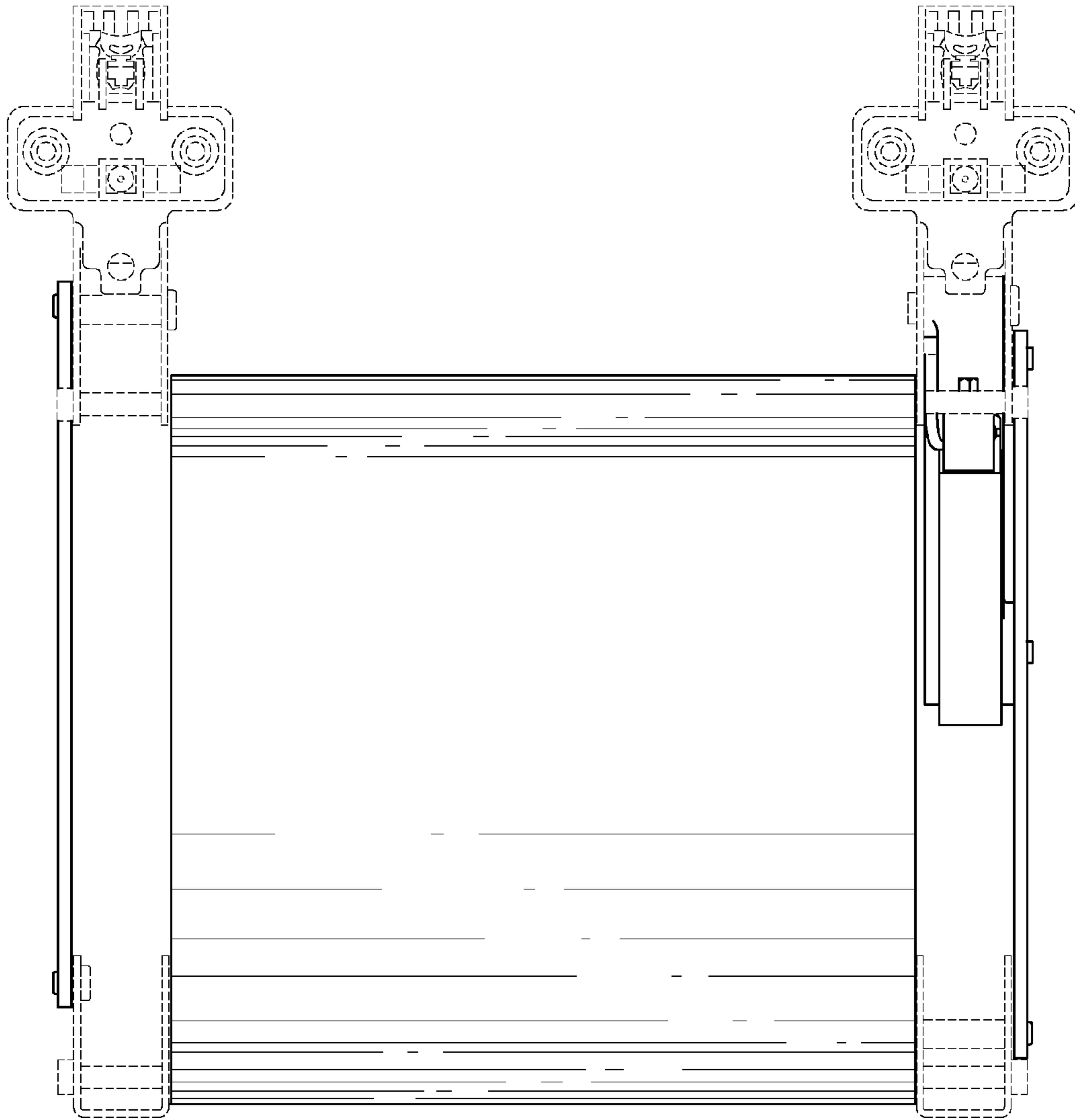


FIG. 2

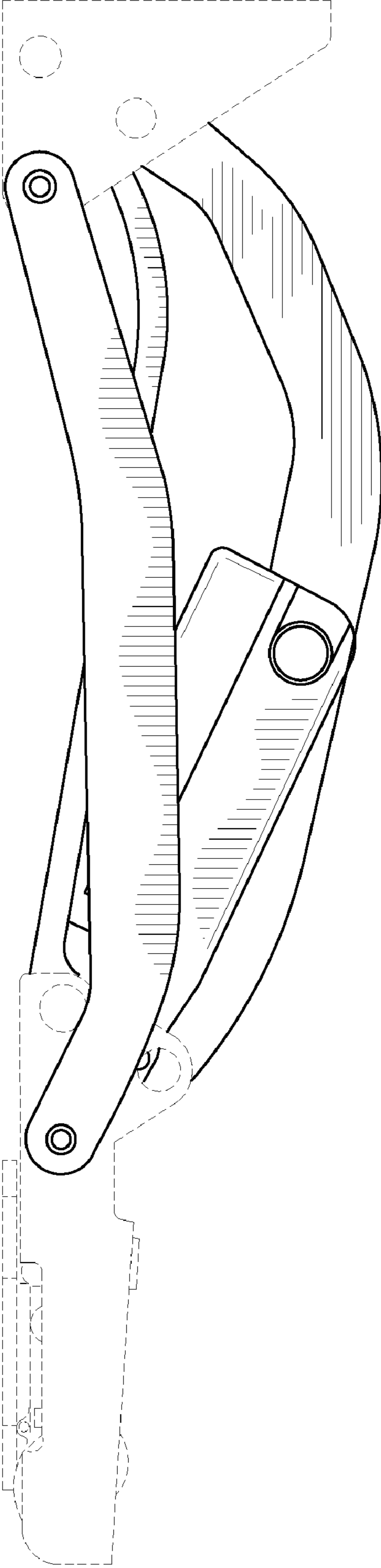


FIG. 3

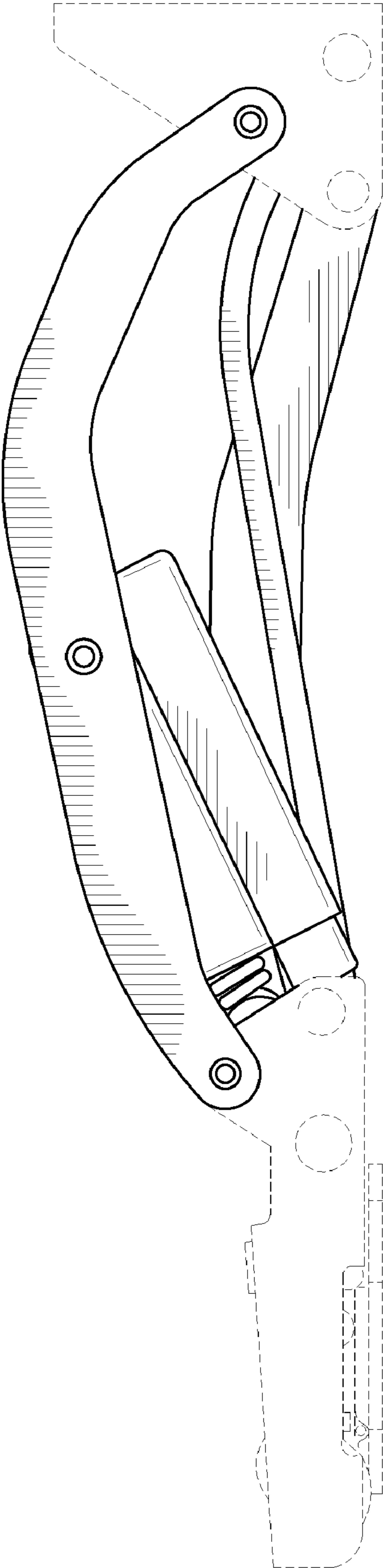


FIG. 4

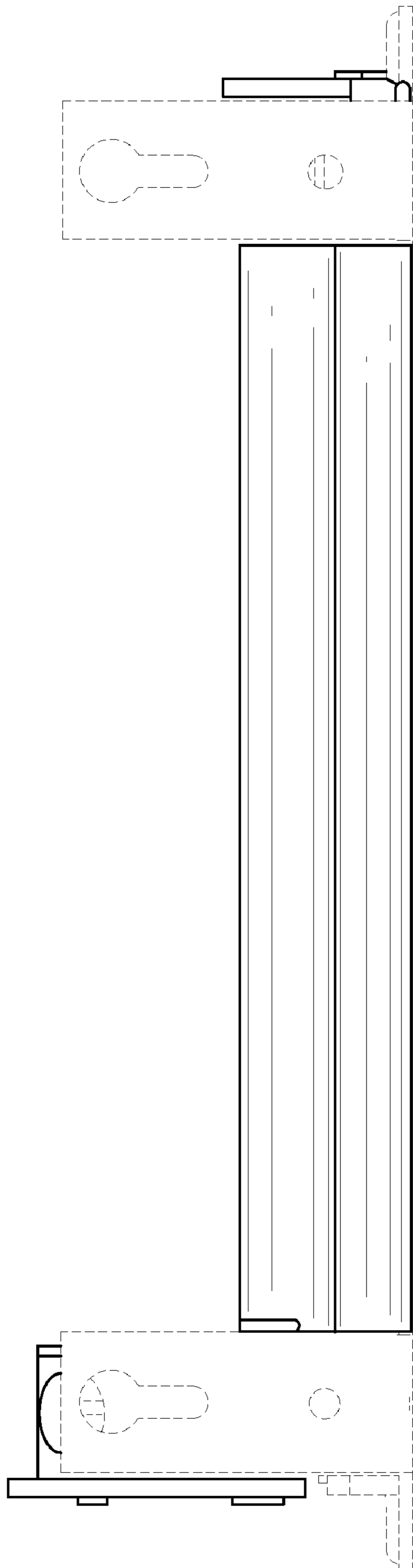


FIG. 5

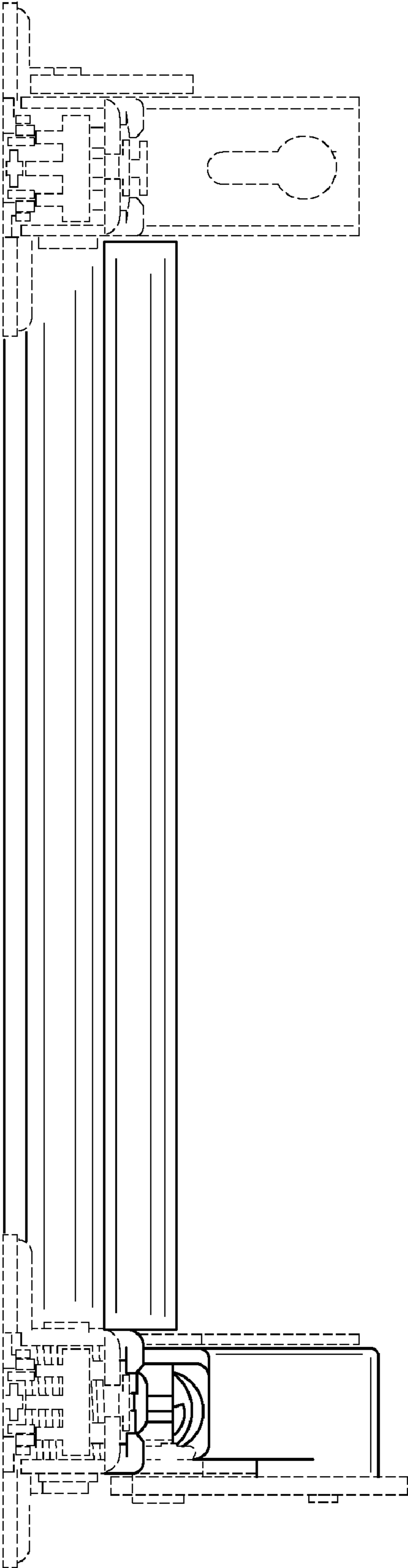


FIG. 6

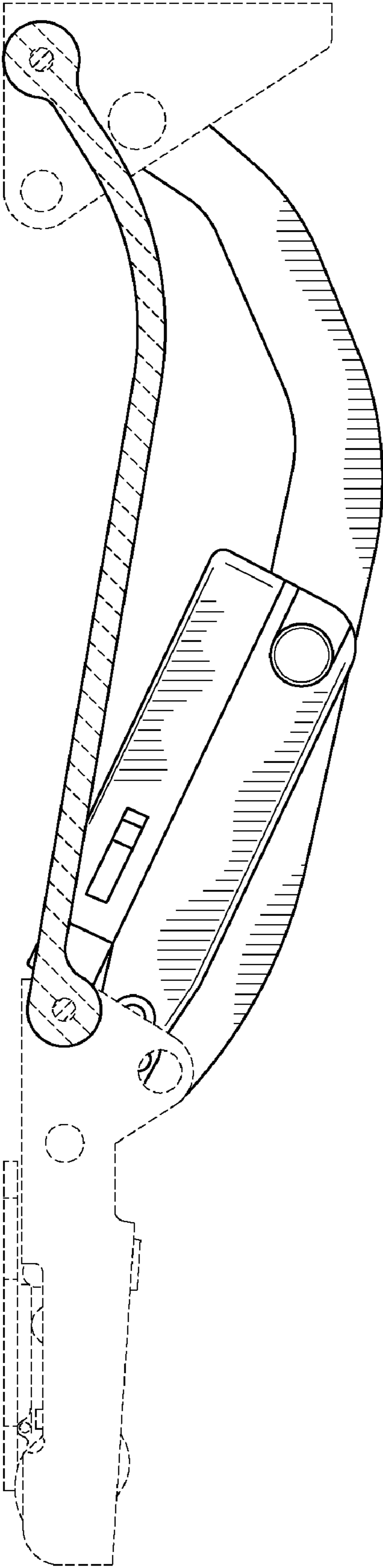


FIG. 7

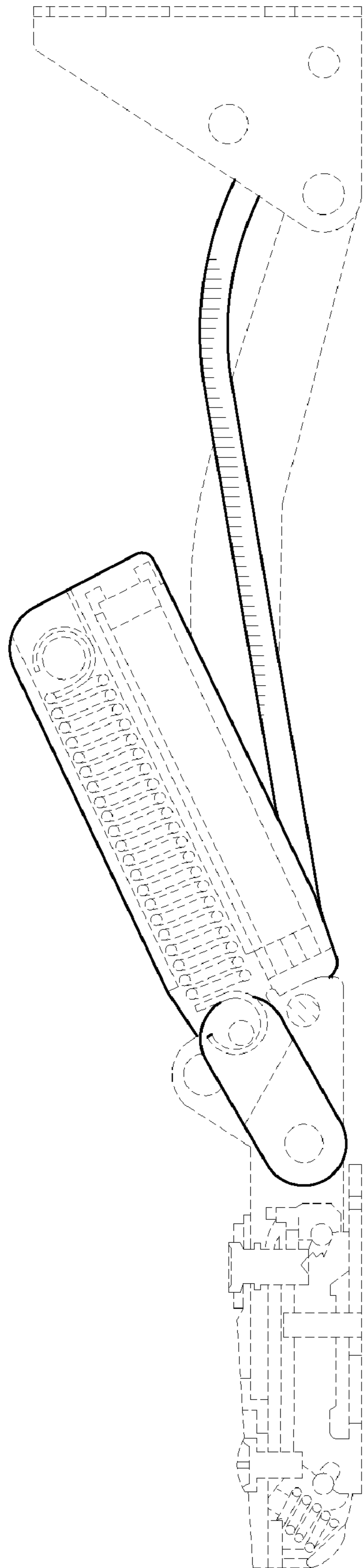


FIG. 8

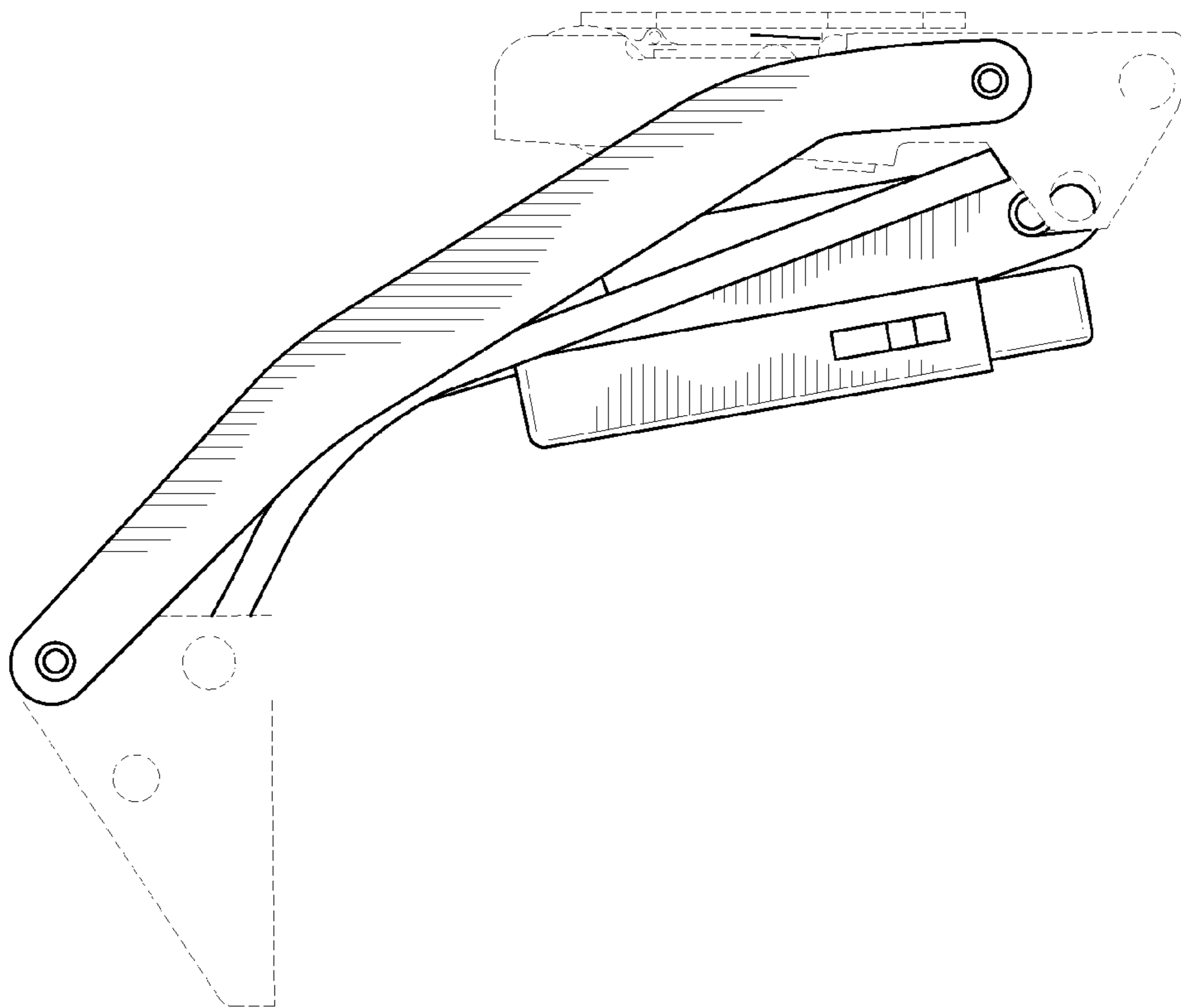


FIG. 9

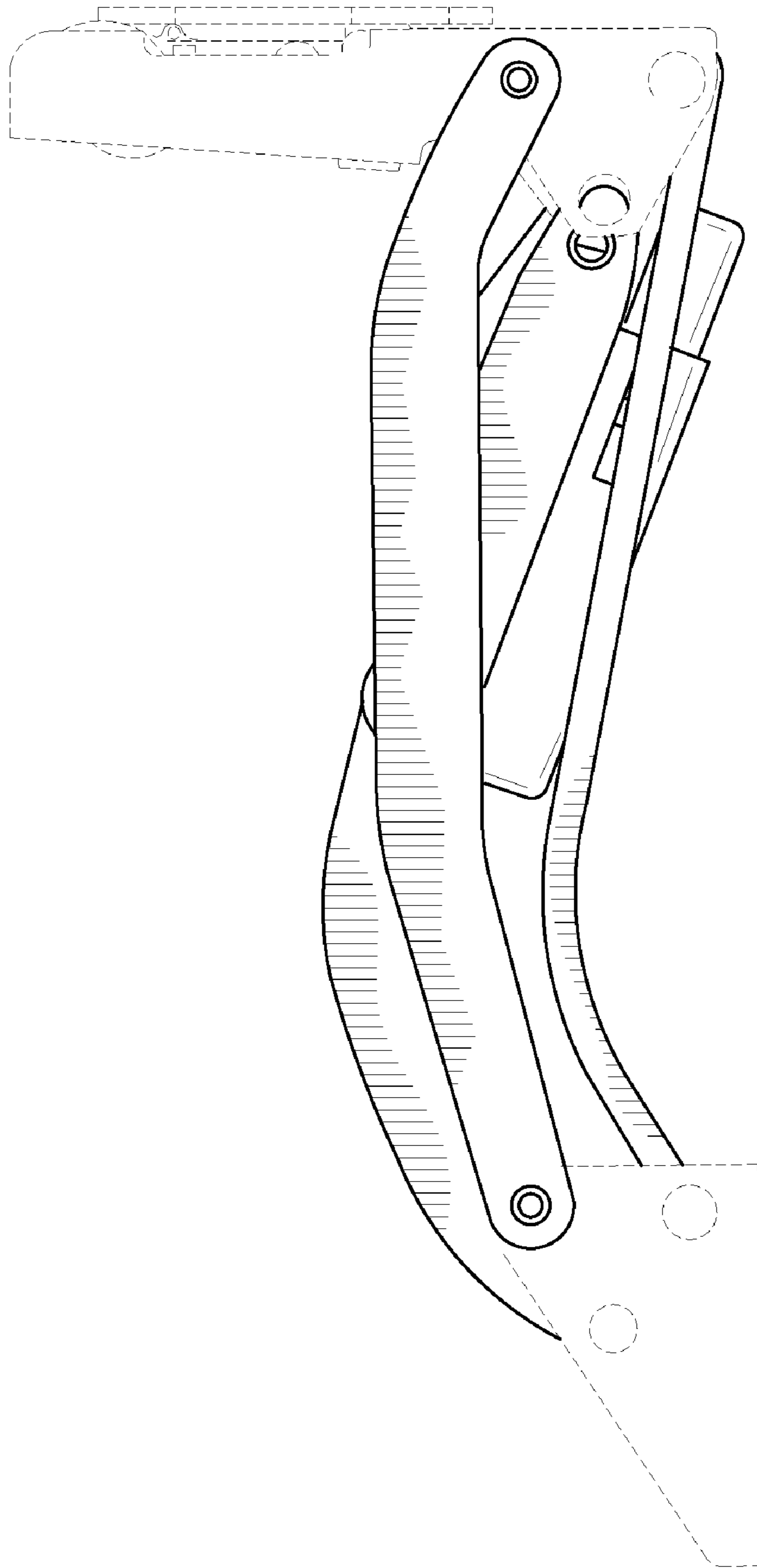


FIG. 10

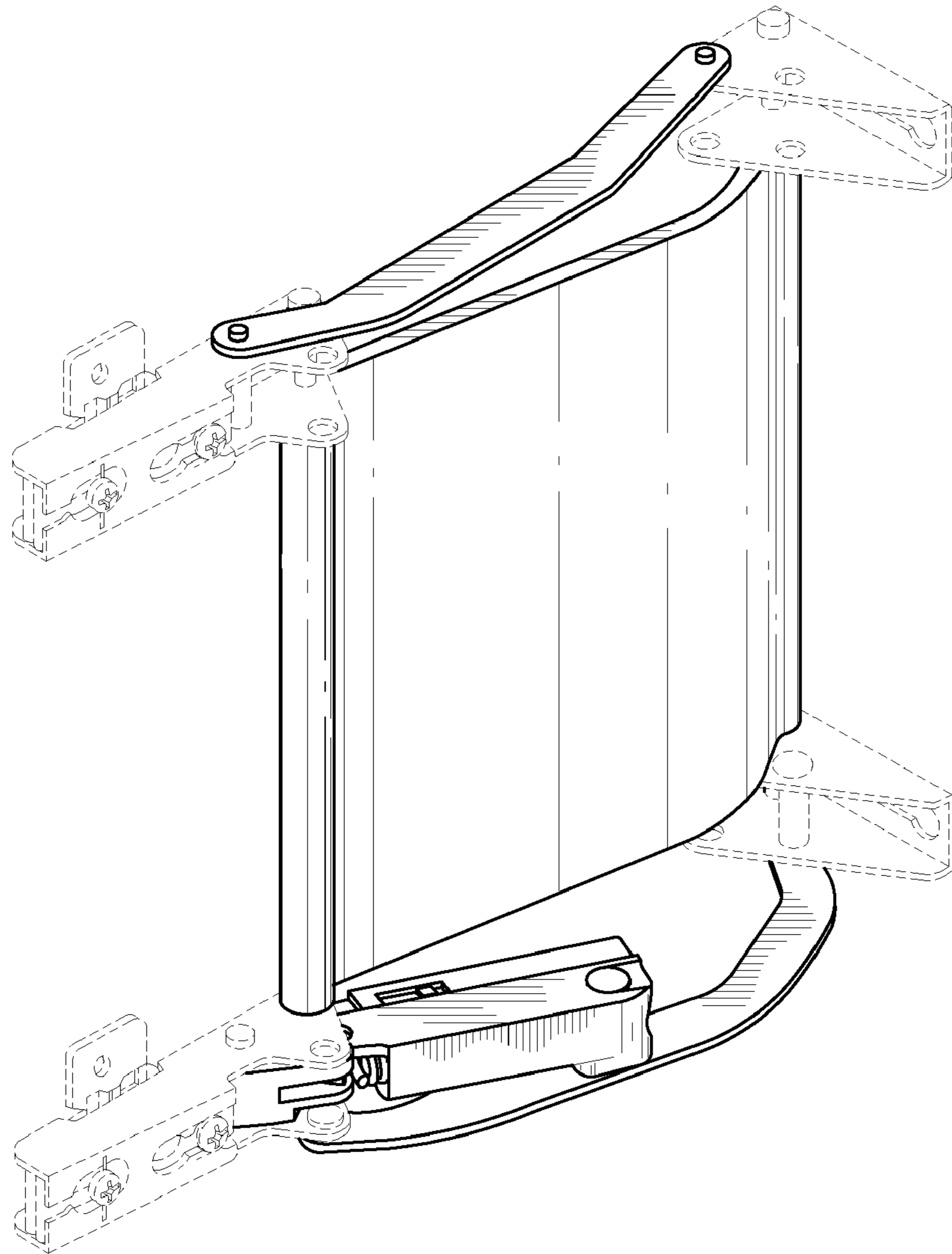


FIG. 11

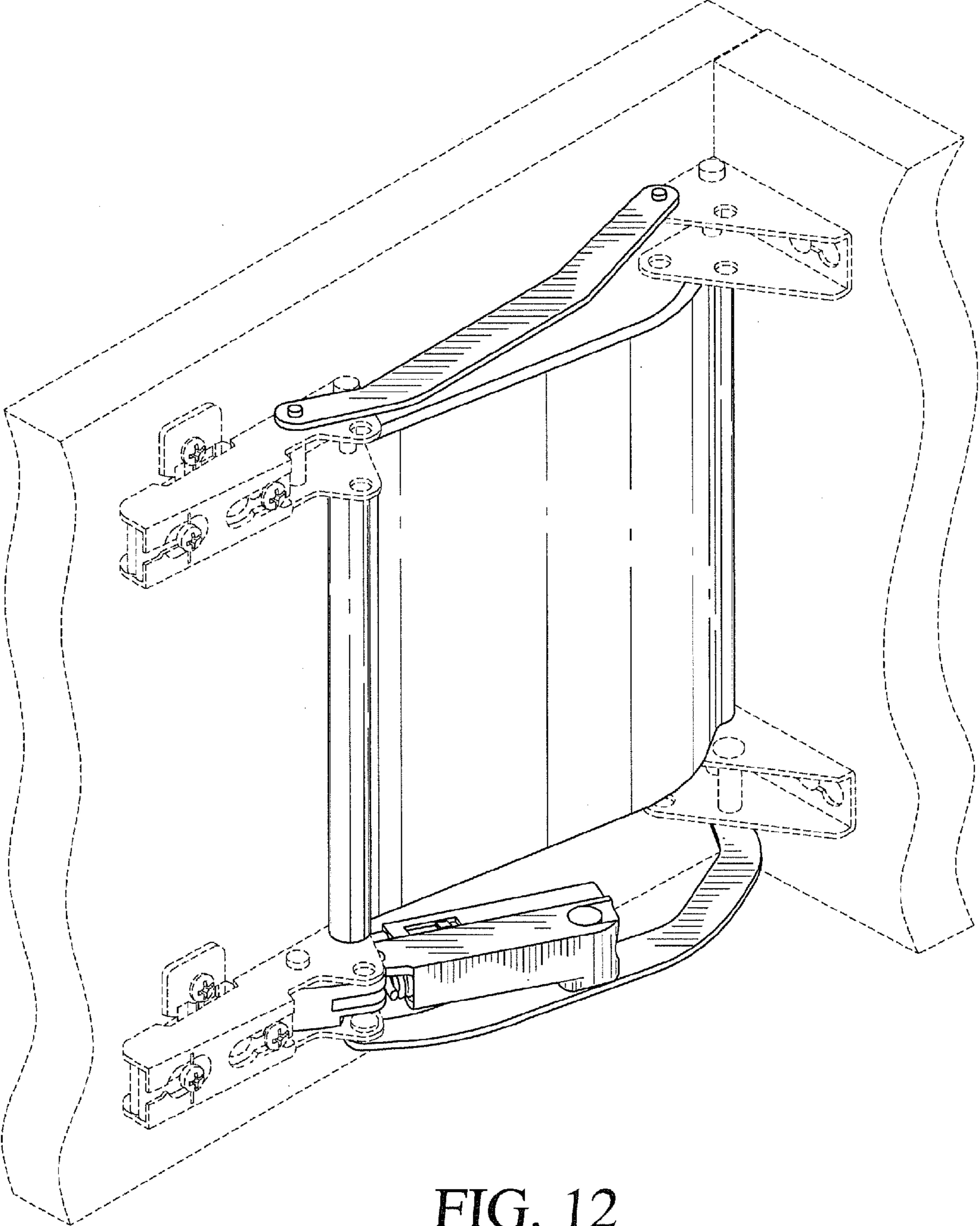


FIG. 12

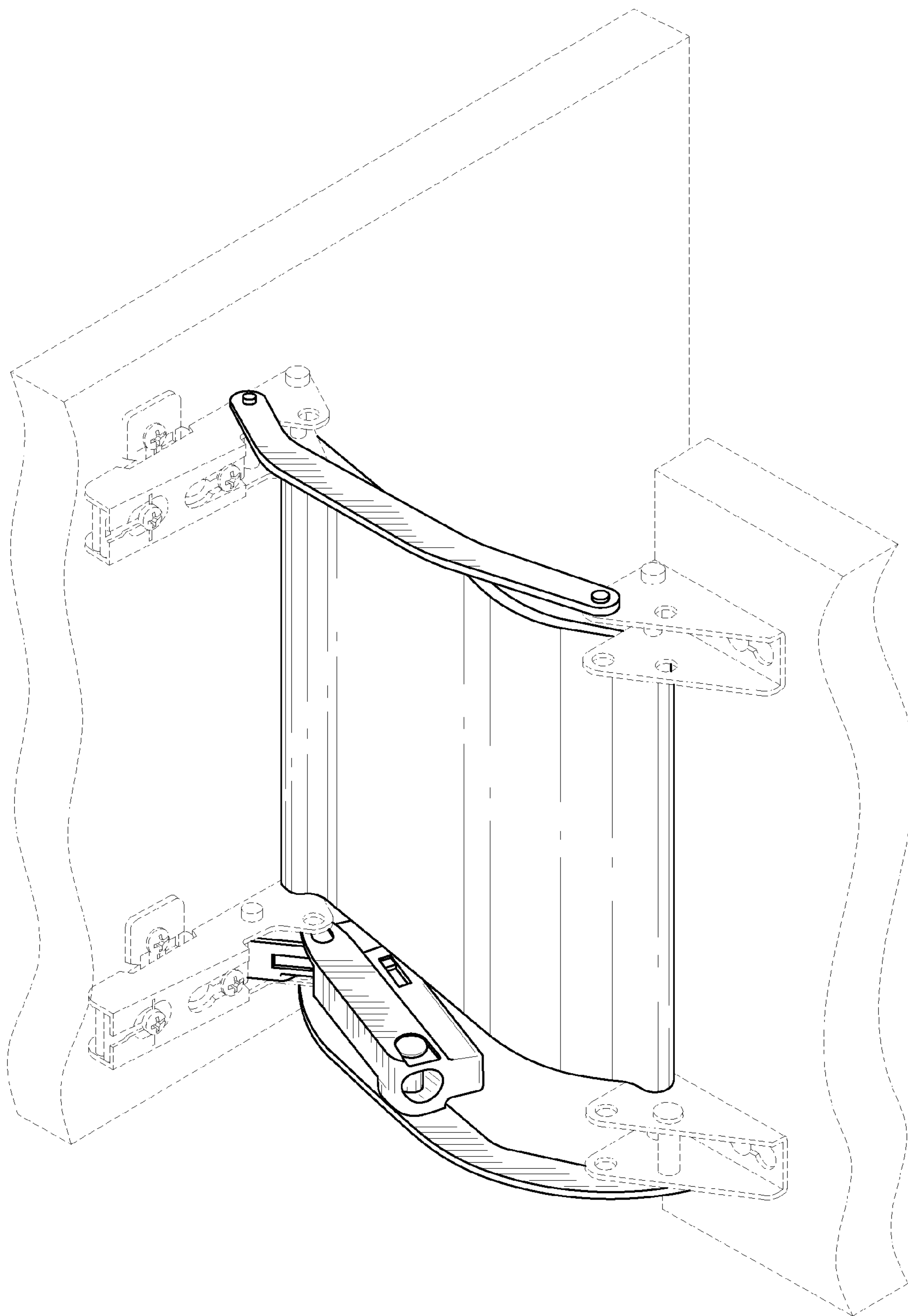


FIG. 13

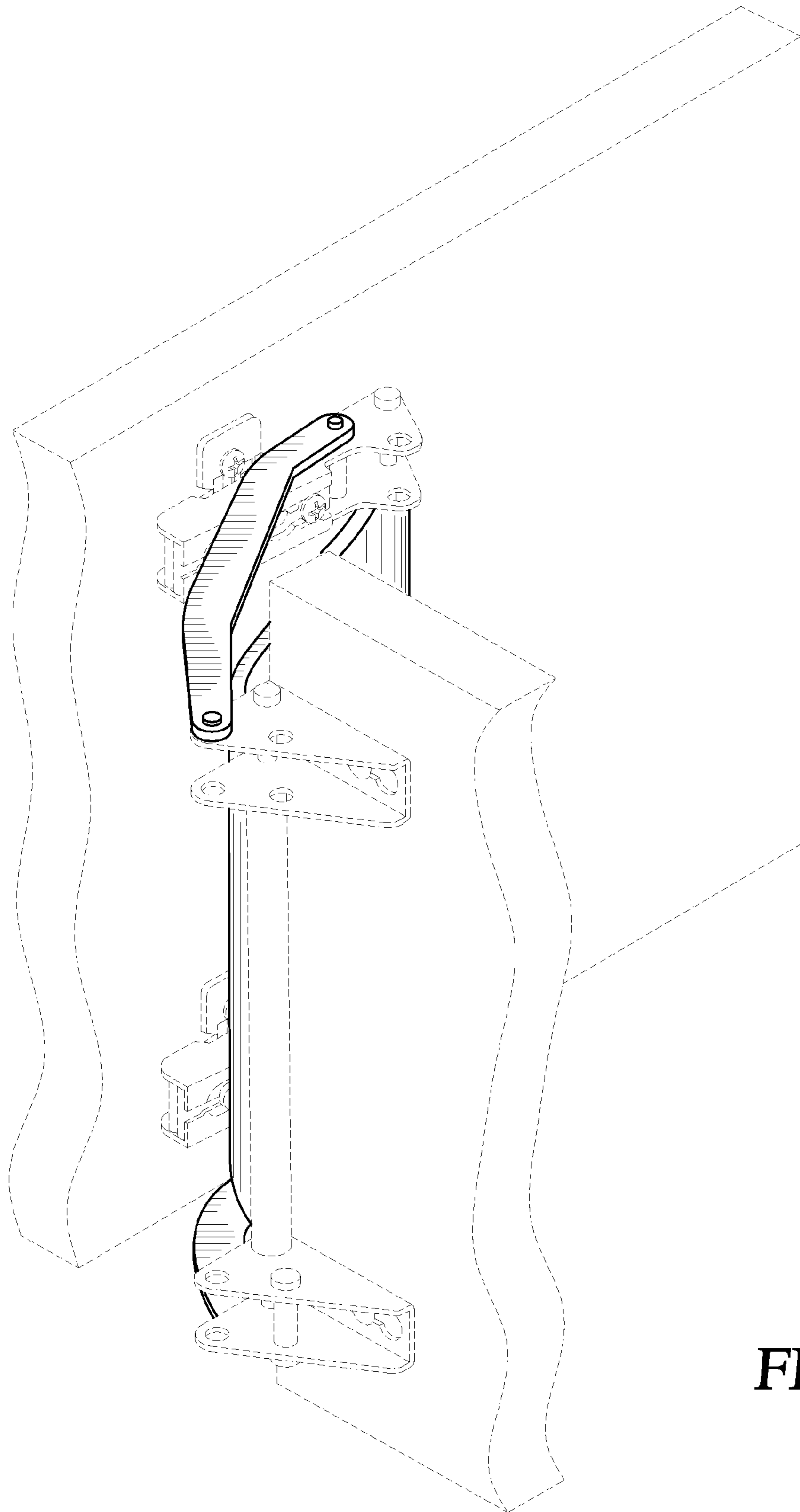


FIG. 14