

US00D646143S

(12) **United States Design Patent**
Stuckey

(10) **Patent No.:** **US D646,143 S**

(45) **Date of Patent:** **** Oct. 4, 2011**

(54) **DISH**
(75) Inventor: **David Martin Stuckey**, Eaglemont (AU)
(73) Assignee: **David Stuckey Investments Pty Ltd.**
(AU)
(**) Term: **14 Years**
(21) Appl. No.: **29/375,515**
(22) Filed: **Sep. 23, 2010**

D304,155 S * 10/1989 Russell et al. D8/303
D314,131 S * 1/1991 Russell et al. D8/321
5,042,853 A * 8/1991 Gleason et al. 292/126
5,526,660 A * 6/1996 Bennett et al. 70/208
D413,056 S * 8/1999 Sokurenko et al. D8/331
5,983,682 A * 11/1999 Parikh 70/208
5,984,383 A * 11/1999 Parikh et al. 292/121
D420,564 S * 2/2000 Willems D8/343
D439,500 S * 3/2001 Mirick D8/352
6,349,577 B1 * 2/2002 Hansen et al. 70/159
D459,973 S * 7/2002 Weinerman et al. D8/353
D460,680 S * 7/2002 Weinerman et al. D8/353
6,454,321 B1 * 9/2002 Parikh 292/216

(Continued)

(30) **Foreign Application Priority Data**

Mar. 23, 2010 (AU) 10984/2010

(51) **LOC (9) Cl.** **08-06**
(52) **U.S. Cl.** **D8/321**
(58) **Field of Classification Search** D8/331,
D8/341, 338, 333, 300-303, 306, 321, 350-353,
D8/311-314, 316, DIG. 1; D12/190, 195,
D12/404, 405; 292/356, 357, 207, 223, DIG. 31;
70/91, 101, 208, 211; 16/412, 413, 416,
16/445, 402, 11 R, 111 R

See application file for complete search history.

(56) **References Cited**

U.S. PATENT DOCUMENTS

2,668,076 A * 2/1954 Troche et al. 292/336.3
2,735,706 A * 2/1956 Pelcin 292/34
2,763,503 A * 9/1956 Tasch et al. 292/173
2,871,048 A * 1/1959 Balogh 292/173
3,209,564 A * 10/1965 Pelcin 70/471
D210,152 S * 2/1968 Pastva, Jr. D8/341
4,370,874 A * 2/1983 Munn 70/204
D271,562 S * 11/1983 Weinerman D8/338
4,706,478 A * 11/1987 Swan et al. 70/28
D303,617 S * 9/1989 Russell et al. D8/306
D303,620 S * 9/1989 Russell et al. D8/313
D303,621 S * 9/1989 Russell et al. D8/313
D303,922 S * 10/1989 Russell et al. D8/321

FOREIGN PATENT DOCUMENTS

WO WO 2009/021284 A1 2/2009

Primary Examiner — Mark Goodwin

(74) *Attorney, Agent, or Firm* — Craig A. Fieschko, Esq.;
DeWitt Ross & Stevens S.C.

(57) **CLAIM**

The ornamental design for a dish, as shown and described.

DESCRIPTION

FIG. 1 is a top front right perspective view of a dish showing my new design;

FIG. 2 is a top rear right perspective view thereof;

FIG. 3 is a bottom rear right perspective view thereof;

FIG. 4 is a top plan thereof;

FIG. 5 is a bottom plan view thereof;

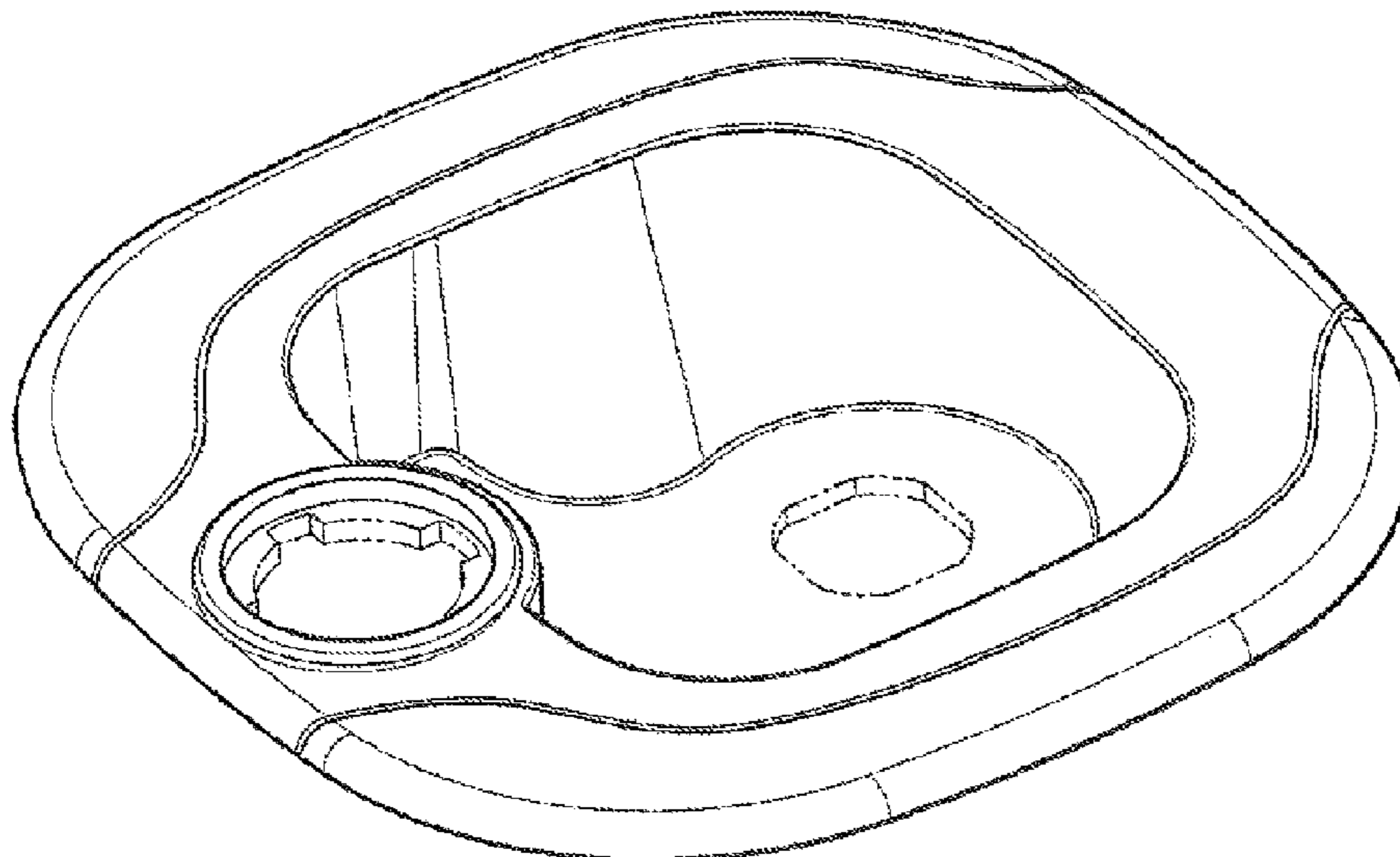
FIG. 6 is a front side elevational view thereof;

FIG. 7 is a rear side elevational view thereof; and,

FIG. 8 is a left side elevational view thereof, the right side elevational view being a mirror image.

The broken line drawing of the apertures in FIGS. 1-5 is for illustrative purposes only and forms no part of the claimed design.

1 Claim, 4 Drawing Sheets



US D646,143 S

Page 2

U.S. PATENT DOCUMENTS

D464,863	S	*	10/2002	Teskey	D8/306
D465,399	S	*	11/2002	Weinerman et al.	D8/302
D466,789	S	*	12/2002	Jeffries	D8/352
6,623,052	B2	*	9/2003	Hansen	292/336.3
6,651,467	B1	*	11/2003	Weinerman et al.	70/208
D488,052	S	*	4/2004	Hansen	D8/352
D488,702	S	*	4/2004	Hansen	D8/350
D488,994	S	*	4/2004	Hansen	D8/350
D490,292	S	*	5/2004	Hansen	D8/352
D501,129	S	*	1/2005	Hansen	D8/321
D501,393	S	*	2/2005	Hansen	D8/321
D505,310	S	*	5/2005	Lorusso	D8/302
6,952,940	B2	*	10/2005	Molzer et al.	70/210
6,976,375	B2	*	12/2005	Minix	70/208
D520,336	S	*	5/2006	Hansen	D8/321
D556,538	S	*	12/2007	Weinerman et al.	D8/330
D585,722	S		2/2009	Stuckey		
D585,723	S		2/2009	Stuckey		
D590,694	S		4/2009	Stuckey		
D642,043	S	*	7/2011	Le	D8/331
2003/0111848	A1	*	6/2003	Hansen	292/336.3
2005/0257582	A1	*	11/2005	Minix	70/208

* cited by examiner

FIG. 1

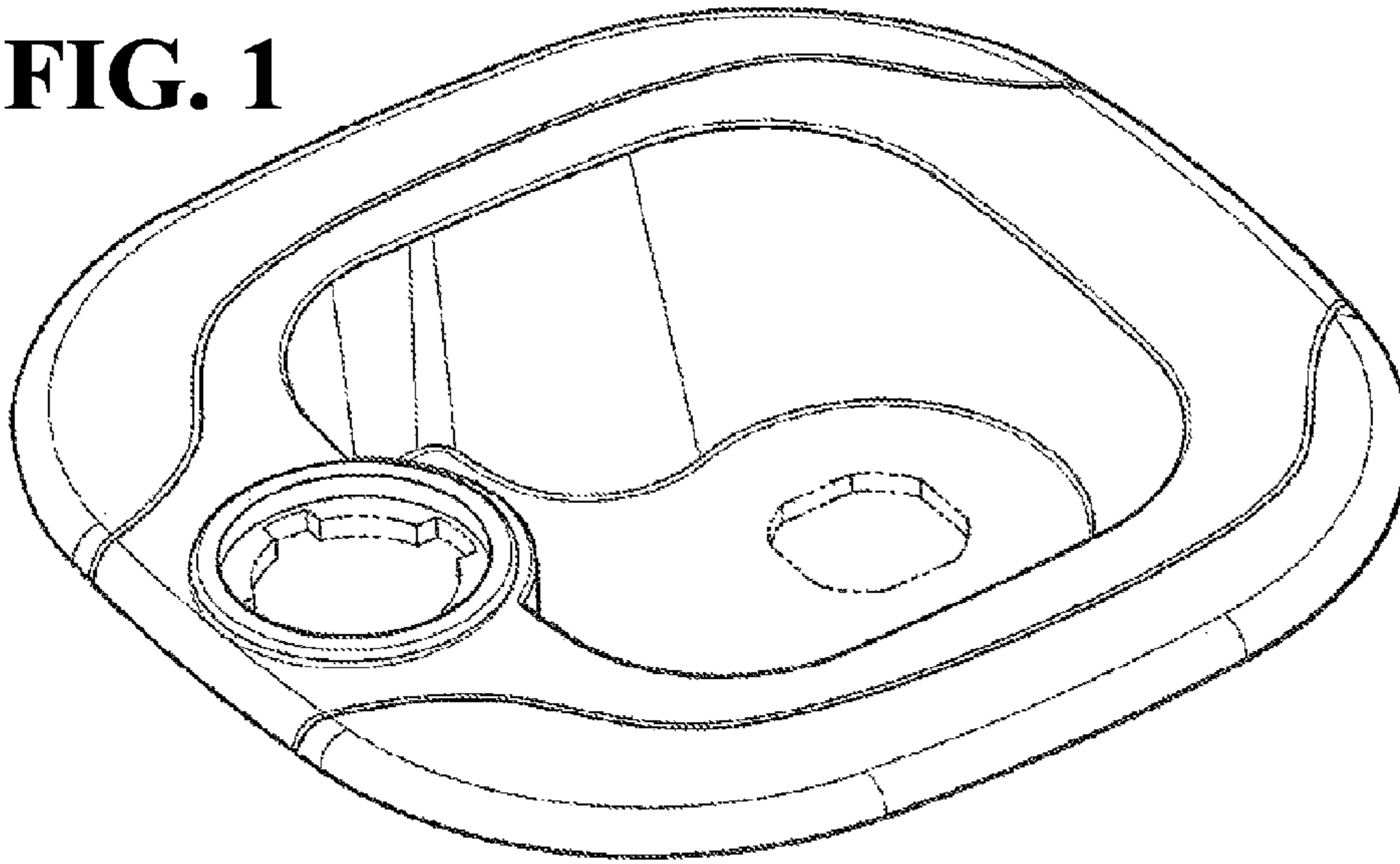


FIG. 2

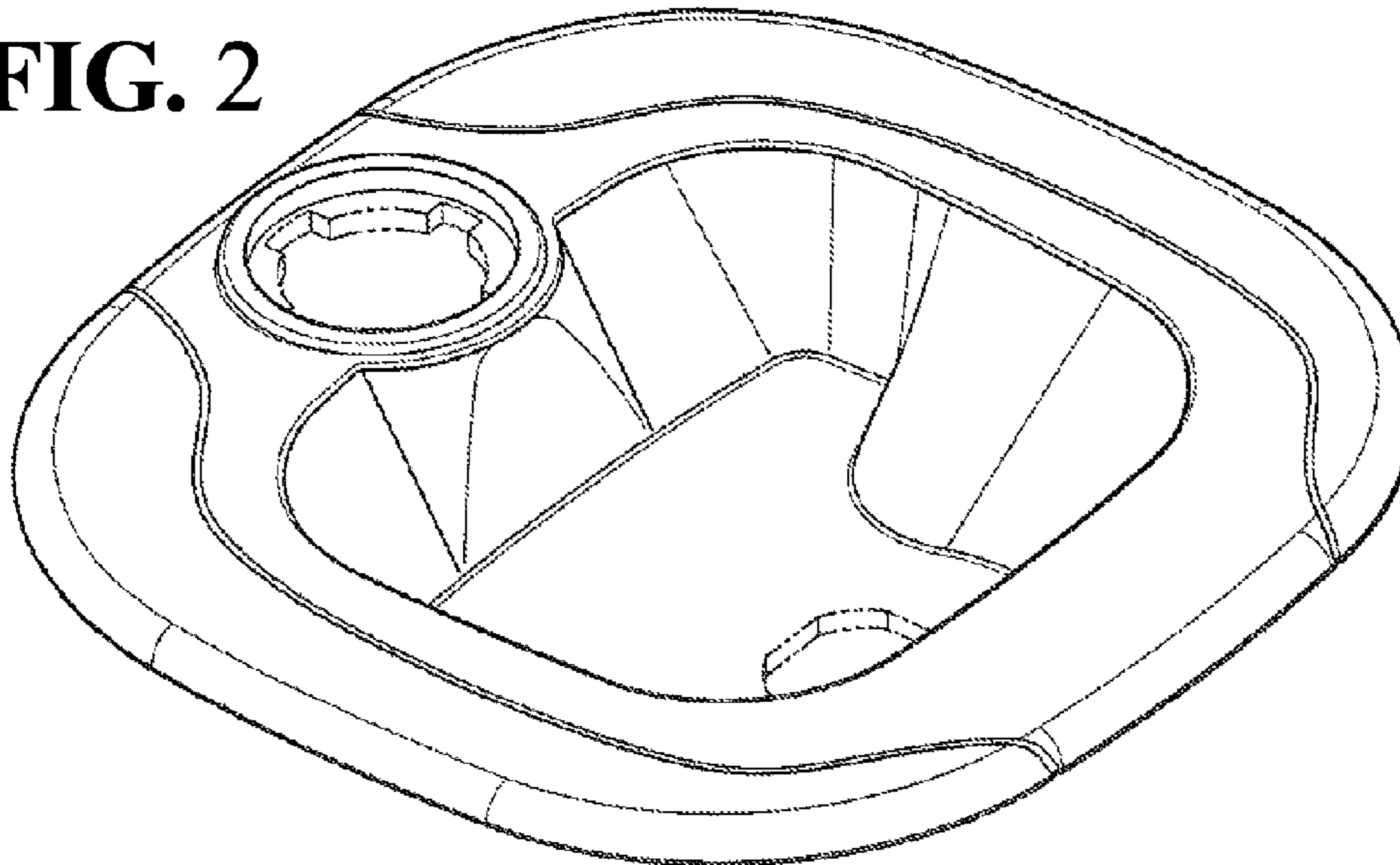


FIG. 3

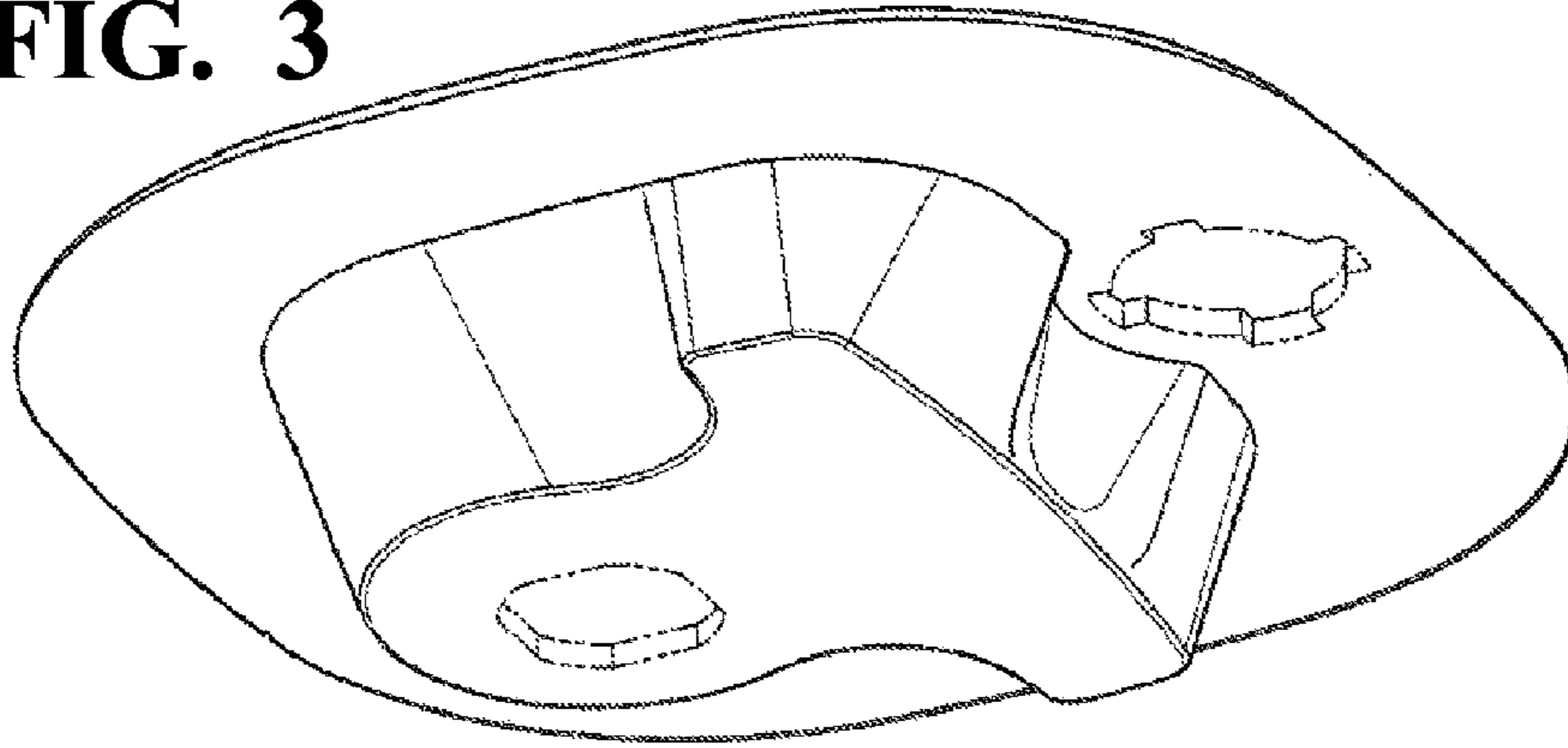


FIG. 4

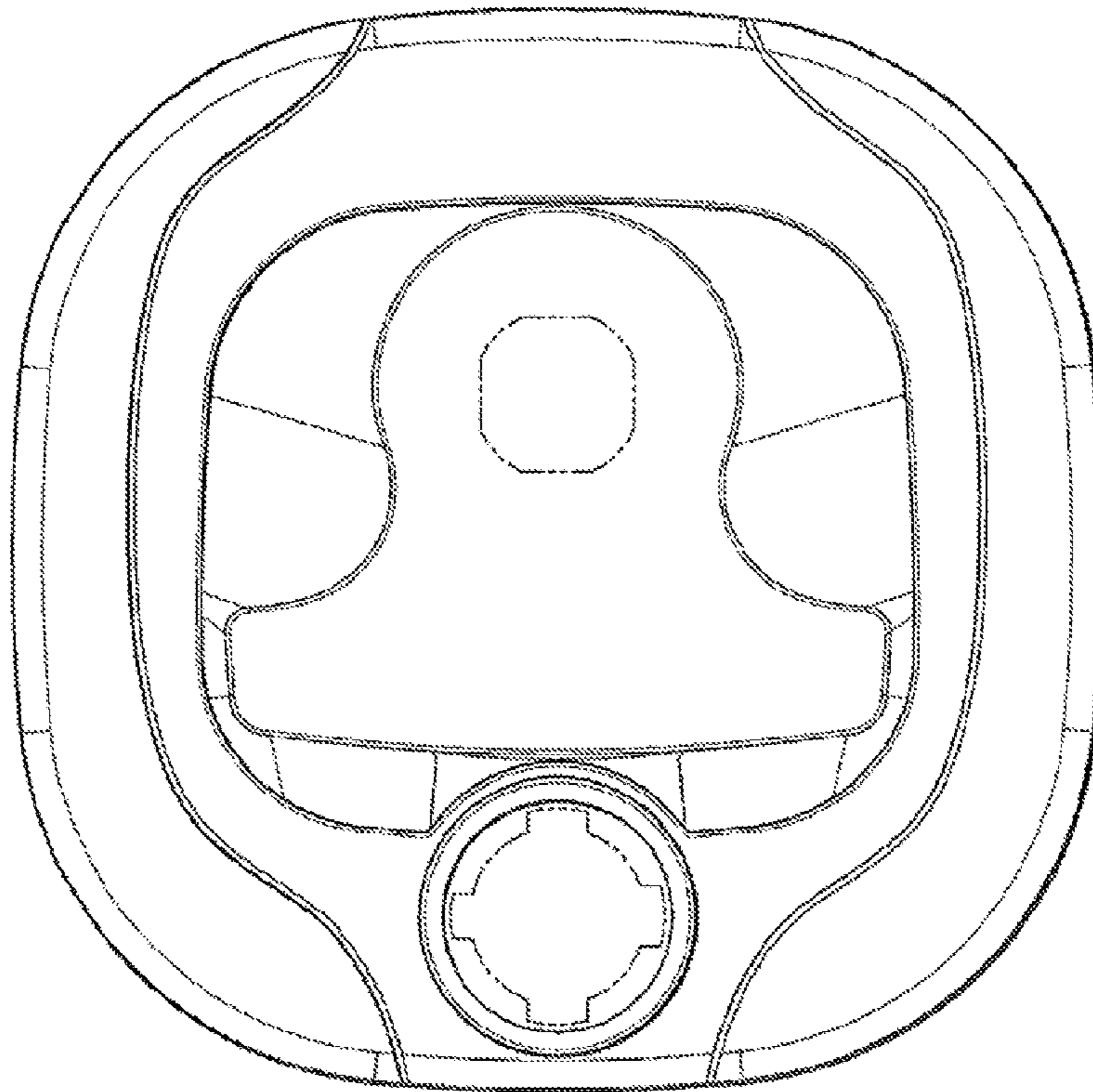


FIG. 5

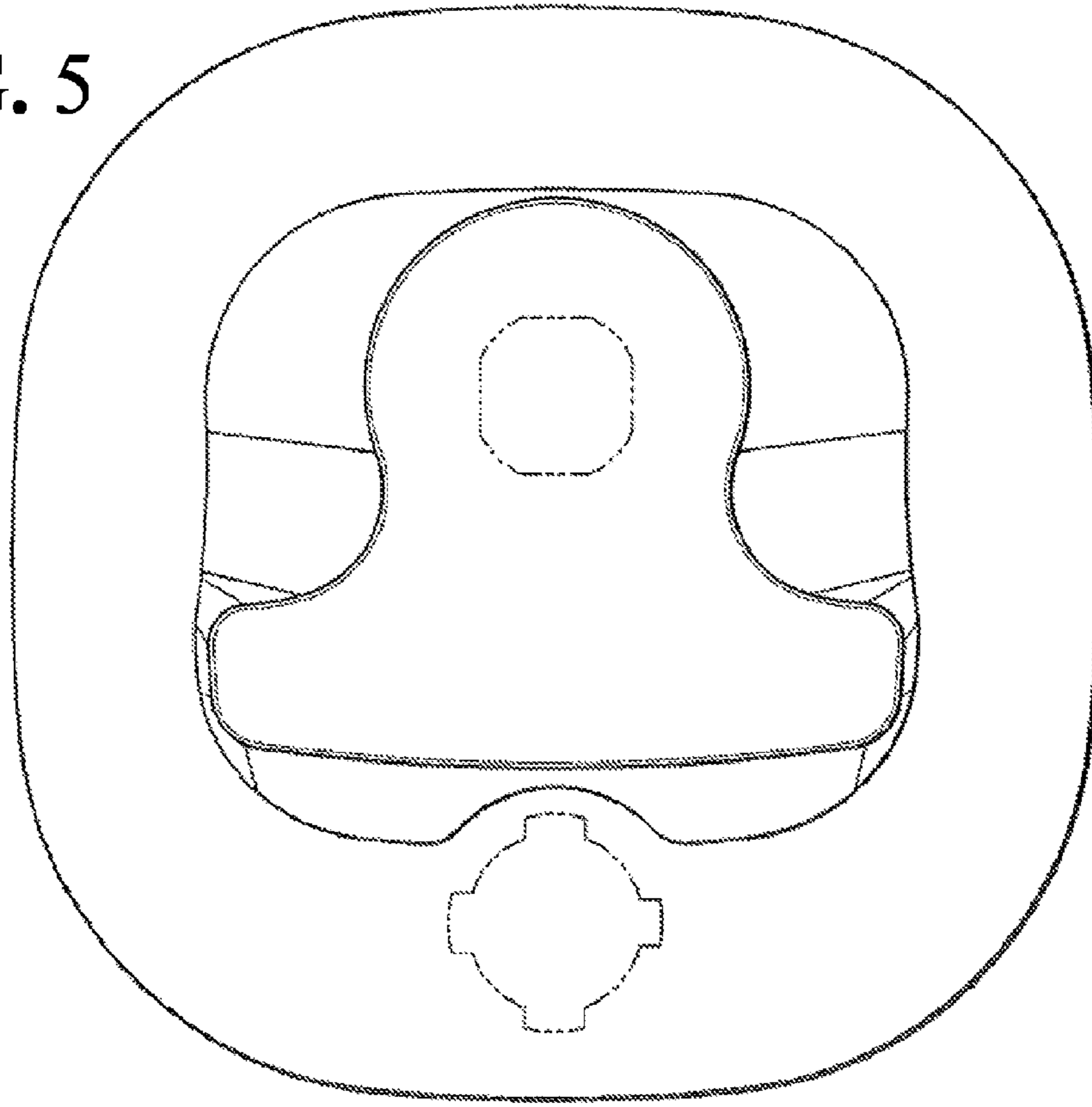


FIG. 6

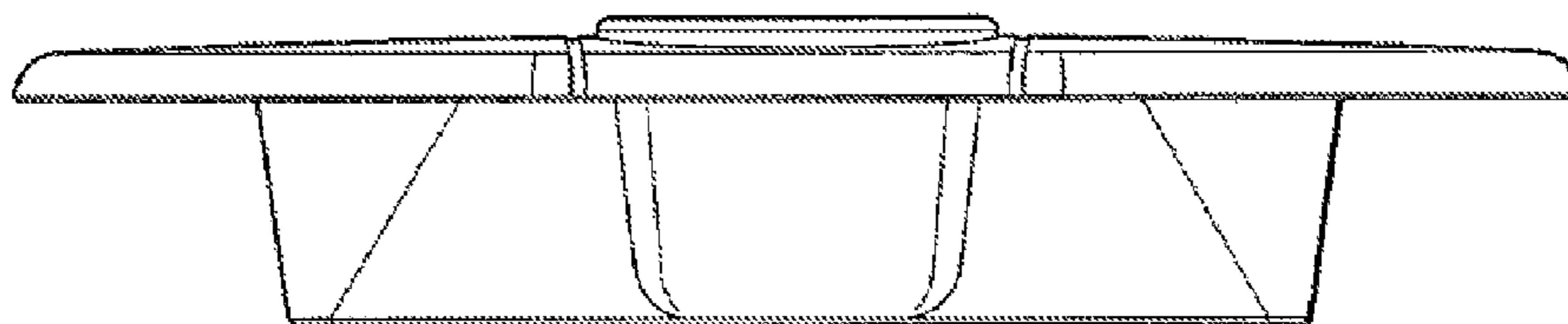


FIG. 7

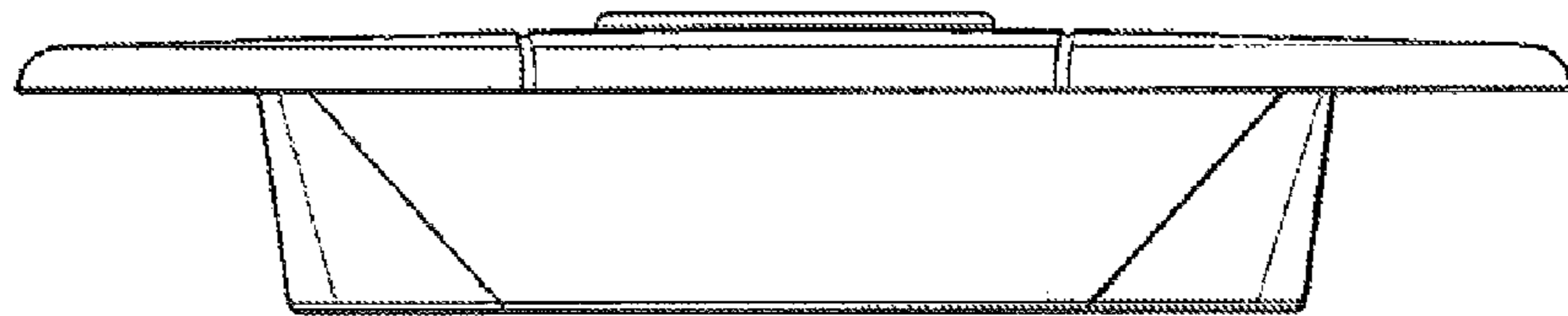


FIG. 8

