



US00D646137S

(12) **United States Design Patent**
Krohmer et al.

(10) **Patent No.:** **US D646,137 S**

(45) **Date of Patent:** **** Oct. 4, 2011**

(54) **3 WAY EDGE CLAMP**

(75) Inventors: **Steve Donald Krohmer**, Coon Rapids, MN (US); **James Joseph Frey**, Edina, MN (US); **Daniel Patrick Banasik**, Eagan, MN (US); **Daniel L. Wenning**, Minneapolis, MN (US)

(73) Assignee: **Rockler Companies, Inc.**, Medina, MN (US)

(**) Term: **14 Years**

(21) Appl. No.: **29/379,808**

(22) Filed: **Nov. 24, 2010**

(51) **LOC (9) Cl.** **08-05**

(52) **U.S. Cl.** **D8/73**

(58) **Field of Classification Search** D8/71-74,
D8/394, 397-399, 354, 355, 59; 248/62,
248/63, 72, 74.1, 689, 124.2, 65; 81/487;
269/156, 139, 218, 97, 3, 4, 6, 143, 165,
269/240, 243, 246-249, 254 R, 147-149;
29/256, 257, 276; D15/140; D24/143; 408/103,
408/104-109; D6/400

See application file for complete search history.

(56) **References Cited**

U.S. PATENT DOCUMENTS

1,402,621 A * 1/1922 Knittel et al. 269/156
1,403,589 A * 1/1922 Cinquini 269/218

2,610,661 A * 9/1952 Romine 269/156
2,642,905 A * 6/1953 Hewat 269/156
3,113,508 A * 12/1963 Trachtman 269/218
4,234,176 A * 11/1980 Goff et al. 269/156
D281,856 S * 12/1985 Hamatani D8/72
D305,719 S * 1/1990 Babcock D8/71
4,957,257 A * 9/1990 Gonzalez 296/156
6,220,589 B1 * 4/2001 Smith et al. 269/156
6,254,077 B1 * 7/2001 Riley, Jr. 269/156
D567,619 S * 4/2008 Rianda D8/73
7,703,358 B2 * 4/2010 Ubinana Felix 81/487

* cited by examiner

Primary Examiner — David Muller

(74) *Attorney, Agent, or Firm* — Altera Law Group, LLC

(57) **CLAIM**

The ornamental design for a 3 way edge clamp, as shown and described.

DESCRIPTION

FIG. 1 is a perspective view of the 3 way edge clamp.

FIG. 2 is a front view thereof.

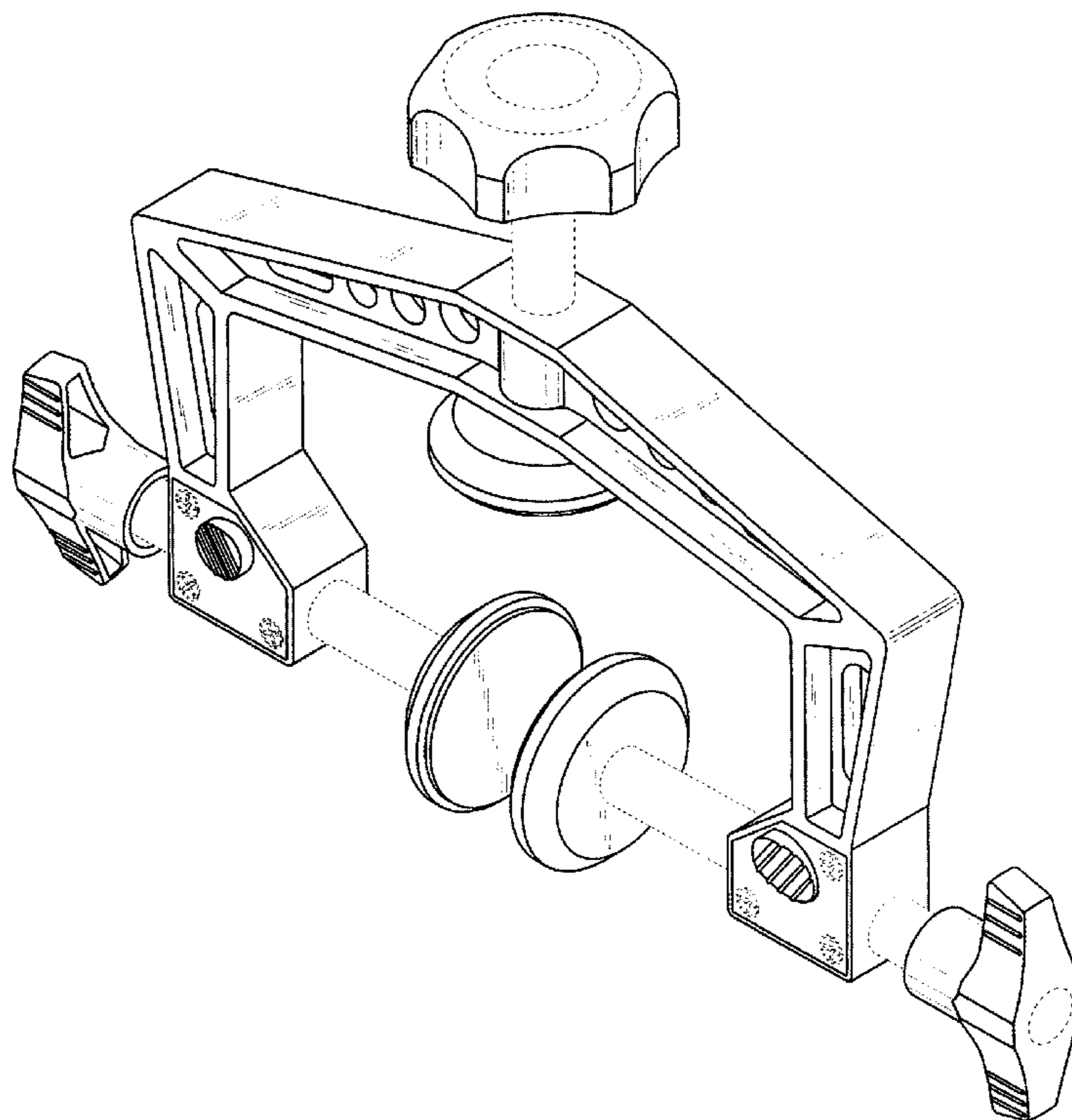
FIG. 3 is a top view thereof.

FIG. 4 is a bottom view thereof; and,

FIG. 5 is a side view thereof.

The broken line showing of parts of the drawings is included for the purpose of illustrating use and environment and forms no part of the claimed design.

1 Claim, 4 Drawing Sheets



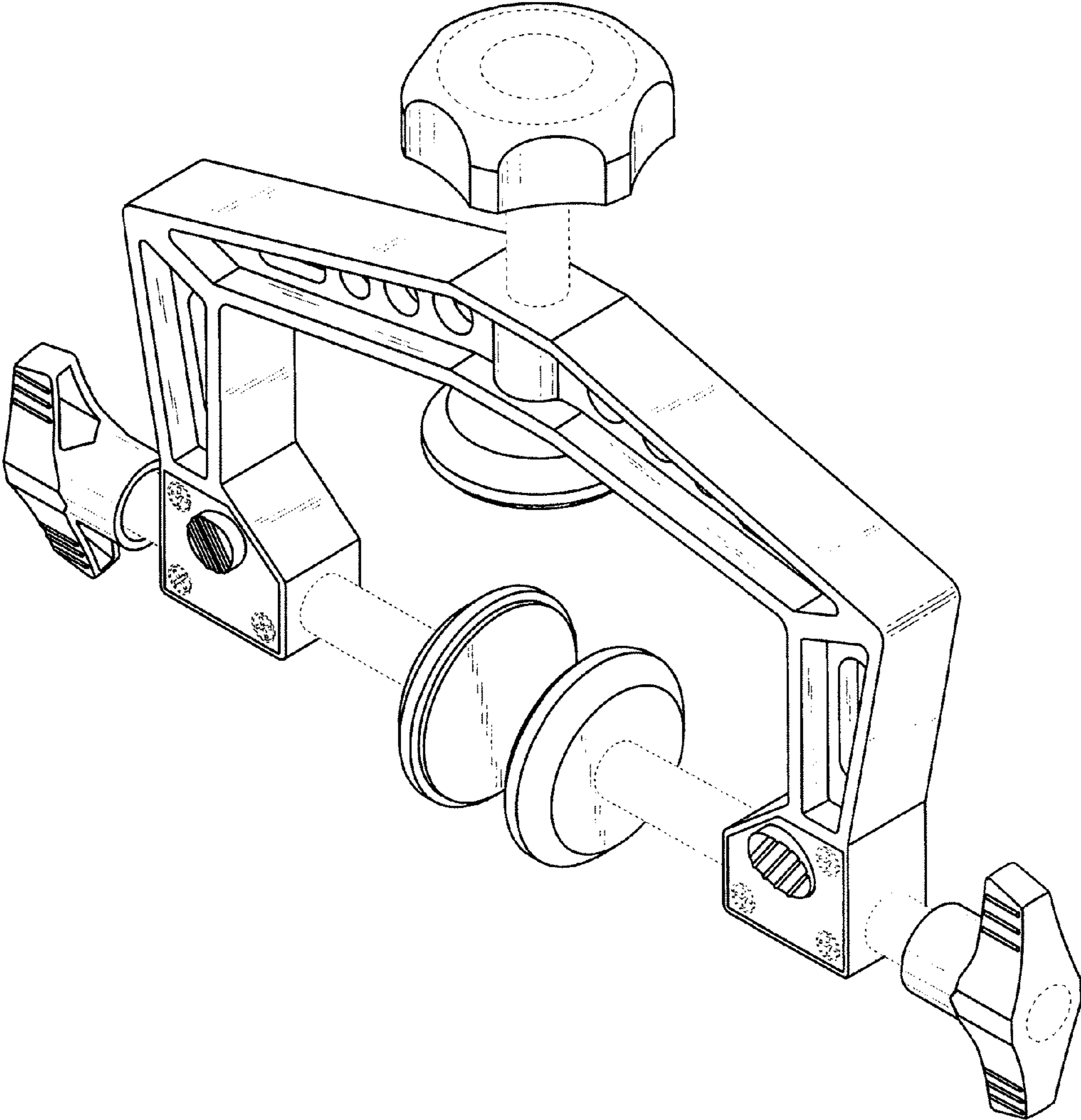


Fig. 1

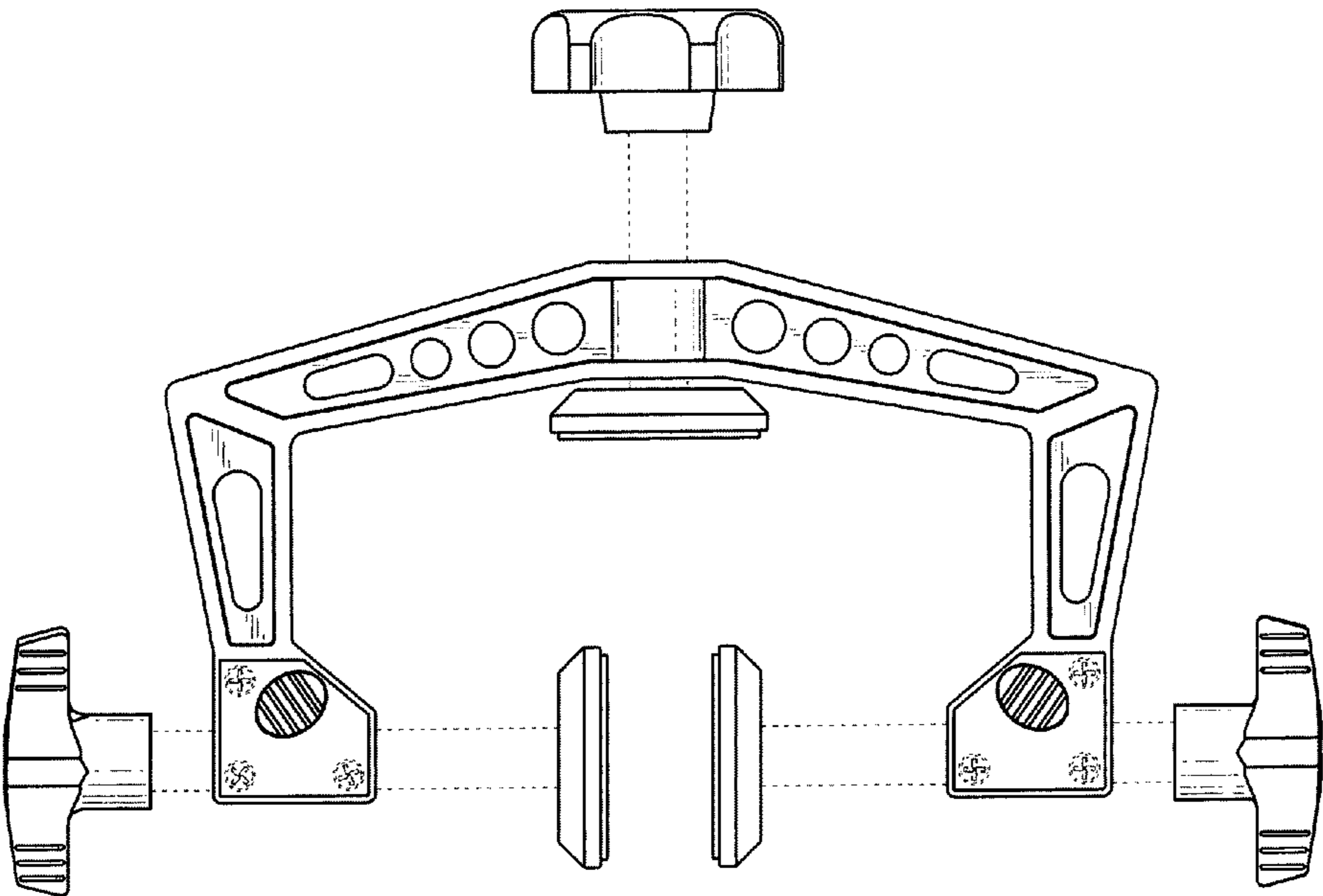


Fig. 2

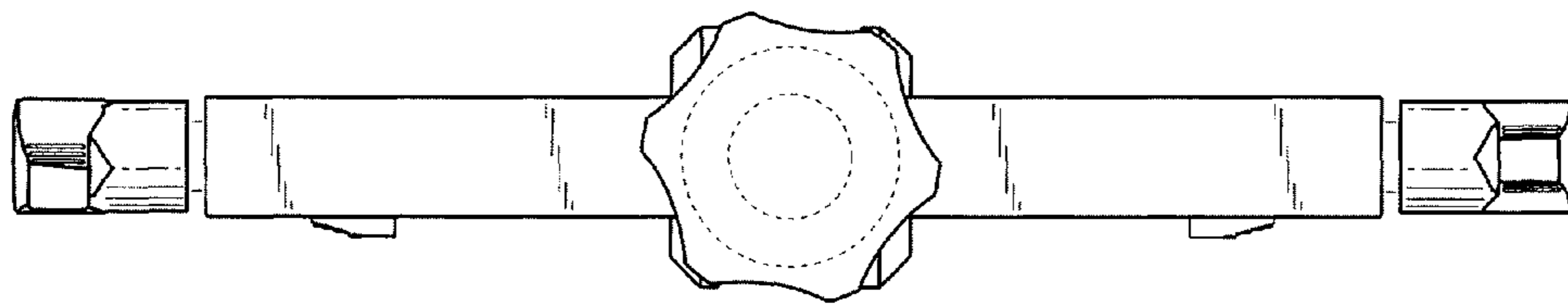


Fig. 3

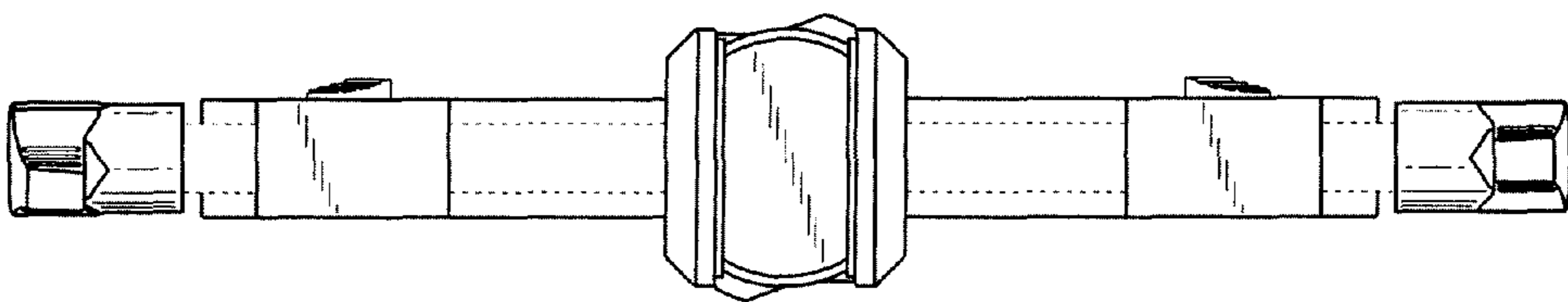


Fig. 4

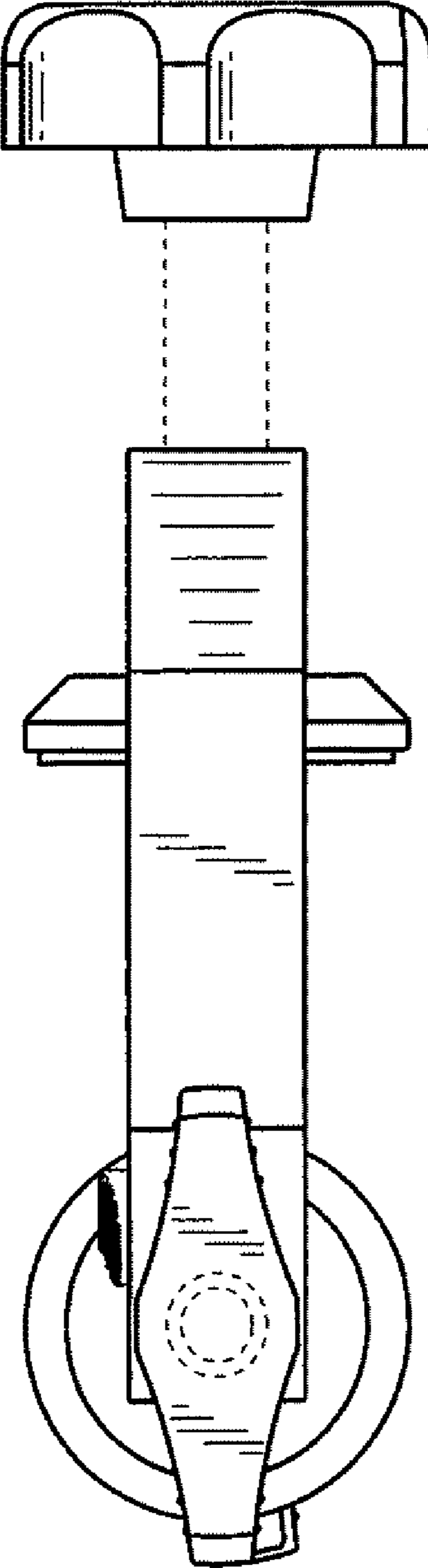


Fig. 5