



US00D646136S

(12) **United States Design Patent**
Aglassinger

(10) **Patent No.:** **US D646,136 S**

(45) **Date of Patent:** **** Oct. 4, 2011**

(54) **HAMMER DRILL**

(56) **References Cited**

(75) Inventor: **Hans-Peter Aglassinger**, Esslingen (DE)

U.S. PATENT DOCUMENTS

(73) Assignee: **Robert Bosch GmbH**, Stuttgart (DE)

D503,079	S	*	3/2005	Aglassinger	D8/69
D508,388	S	*	8/2005	Aglassinger	D8/69
D534,407	S	*	1/2007	Waldron	D8/69
D540,643	S	*	4/2007	Waldron	D8/69
D581,235	S	*	11/2008	Aglassinger	D8/69
7,866,520	B2	*	1/2011	Lin	227/8

(**) Term: **14 Years**

* cited by examiner

(21) Appl. No.: **29/378,398**

(22) Filed: **Nov. 4, 2010**

Primary Examiner — Antoine D Davis

(74) *Attorney, Agent, or Firm* — Maginot, Moore & Beck

(30) **Foreign Application Priority Data**

(57) **CLAIM**

Sep. 10, 2010 (EM) 001753054

The ornamental design for the hammer drill, as shown and described.

(51) **LOC (9) Cl.** **08-03**

DESCRIPTION

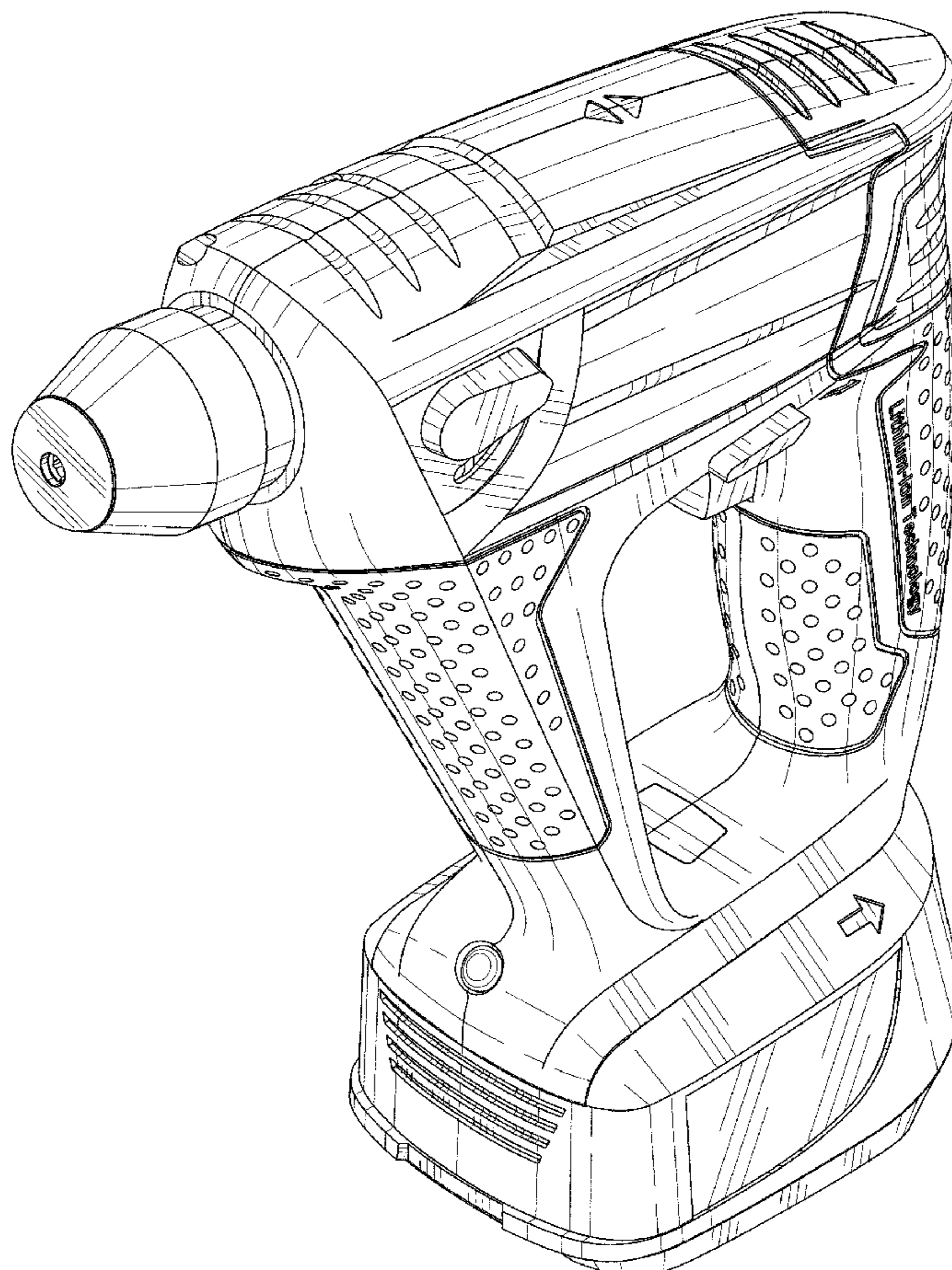
(52) **U.S. Cl.** **D8/69**

(58) **Field of Classification Search** D8/61-70;
81/57.11, 429, 454-456, 469, 489; 173/13,
173/46, 104, 114, 167-173, 178, 201, 211,
173/213, 214, 217, 198; 227/8, 113, 114,
227/120, 130, 136, 142; 310/50; 408/20,
408/35, 117, 124, 125, 234, 241 R, 58, 67;
451/358; 7/158, 165

FIG. 1 is a front left perspective view of the hammer drill;
FIG. 2 is a rear right perspective view thereof;
FIG. 3 is a left elevational view thereof;
FIG. 4 is a right elevational view thereof;
FIG. 5 is a front elevational view thereof;
FIG. 6 is a rear elevational view thereof;
FIG. 7 is a top plan view thereof; and,
FIG. 8 is a bottom plan view thereof.

See application file for complete search history.

1 Claim, 7 Drawing Sheets



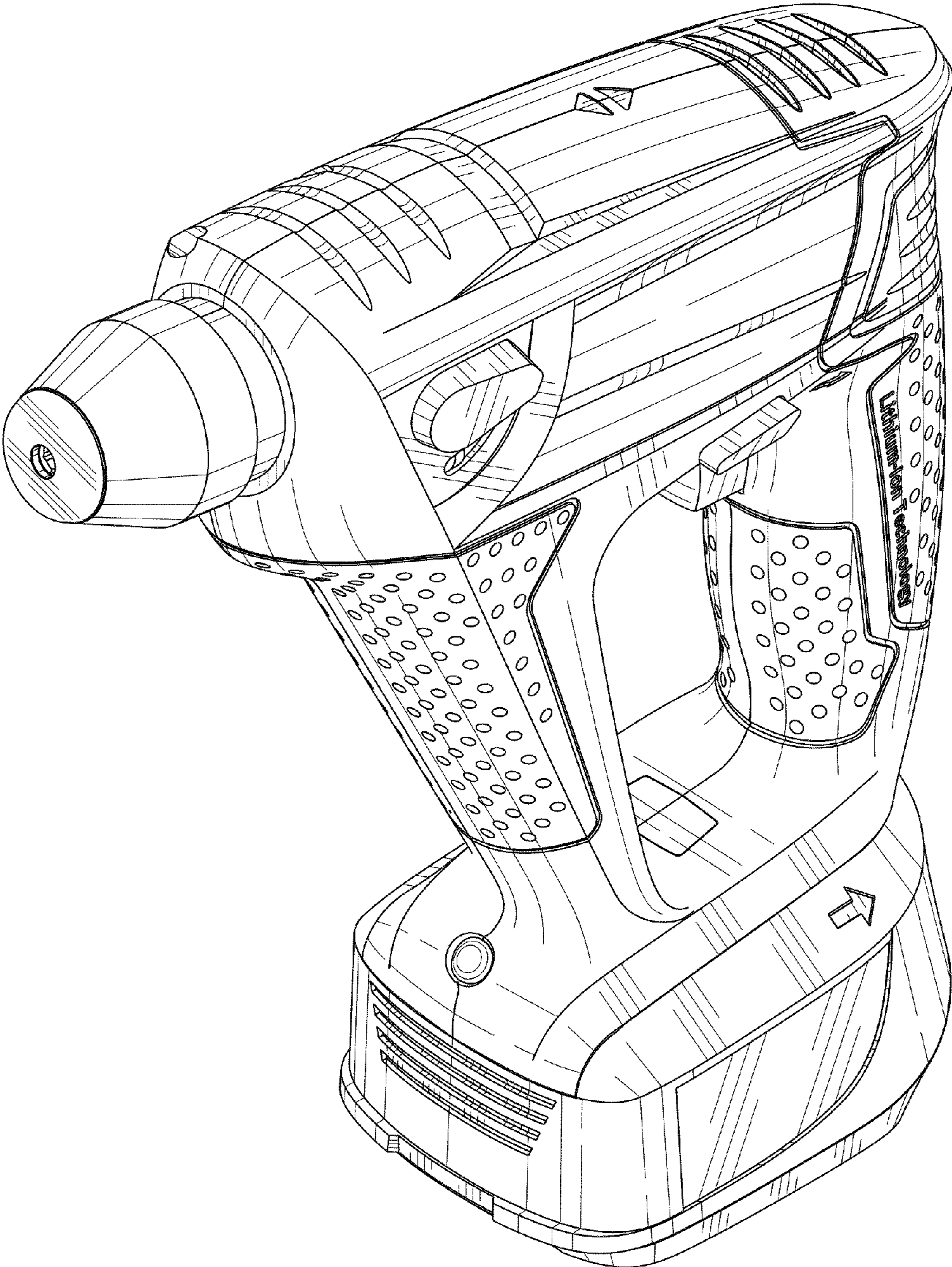


Fig. 1

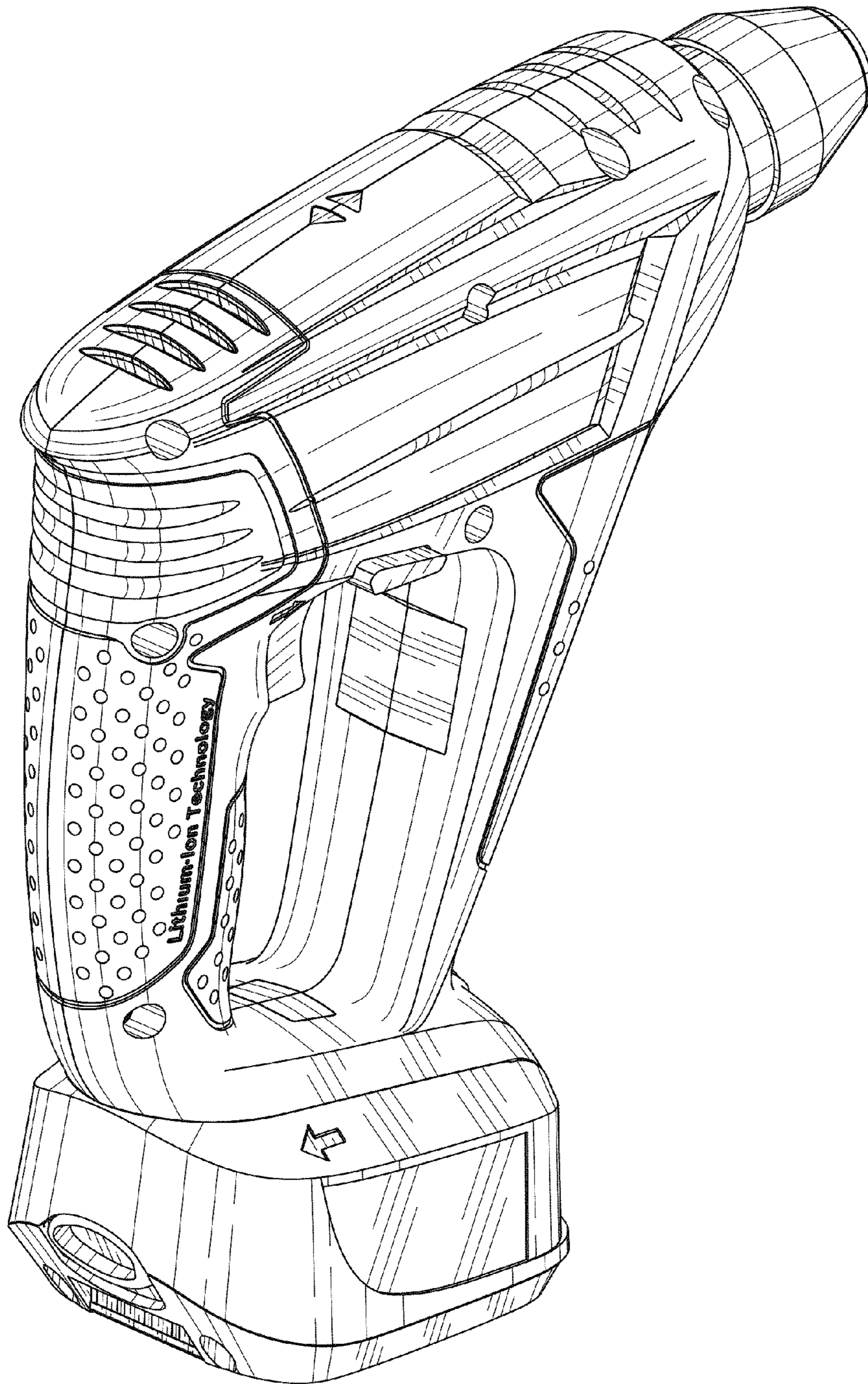


Fig. 2

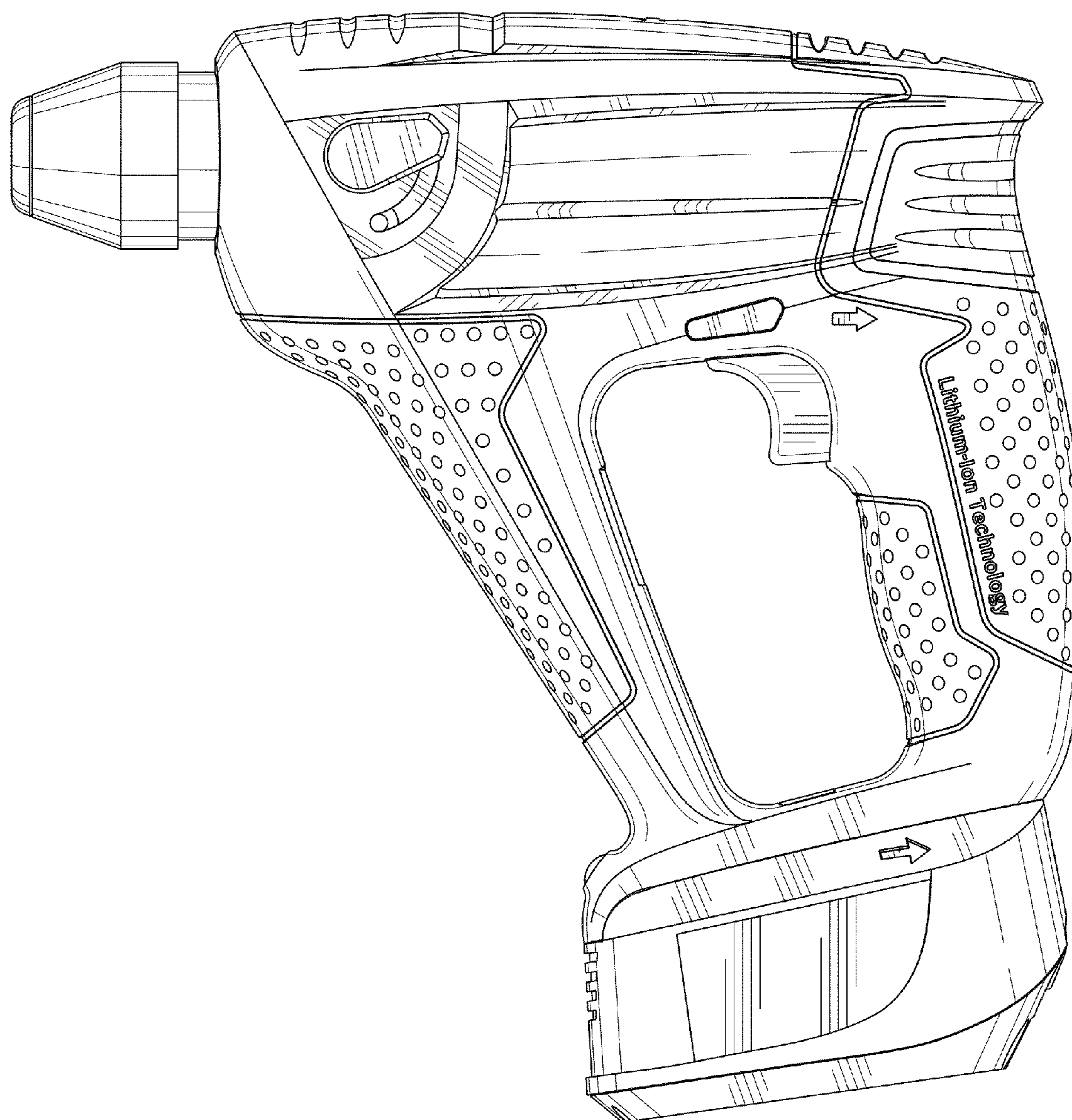


Fig. 3

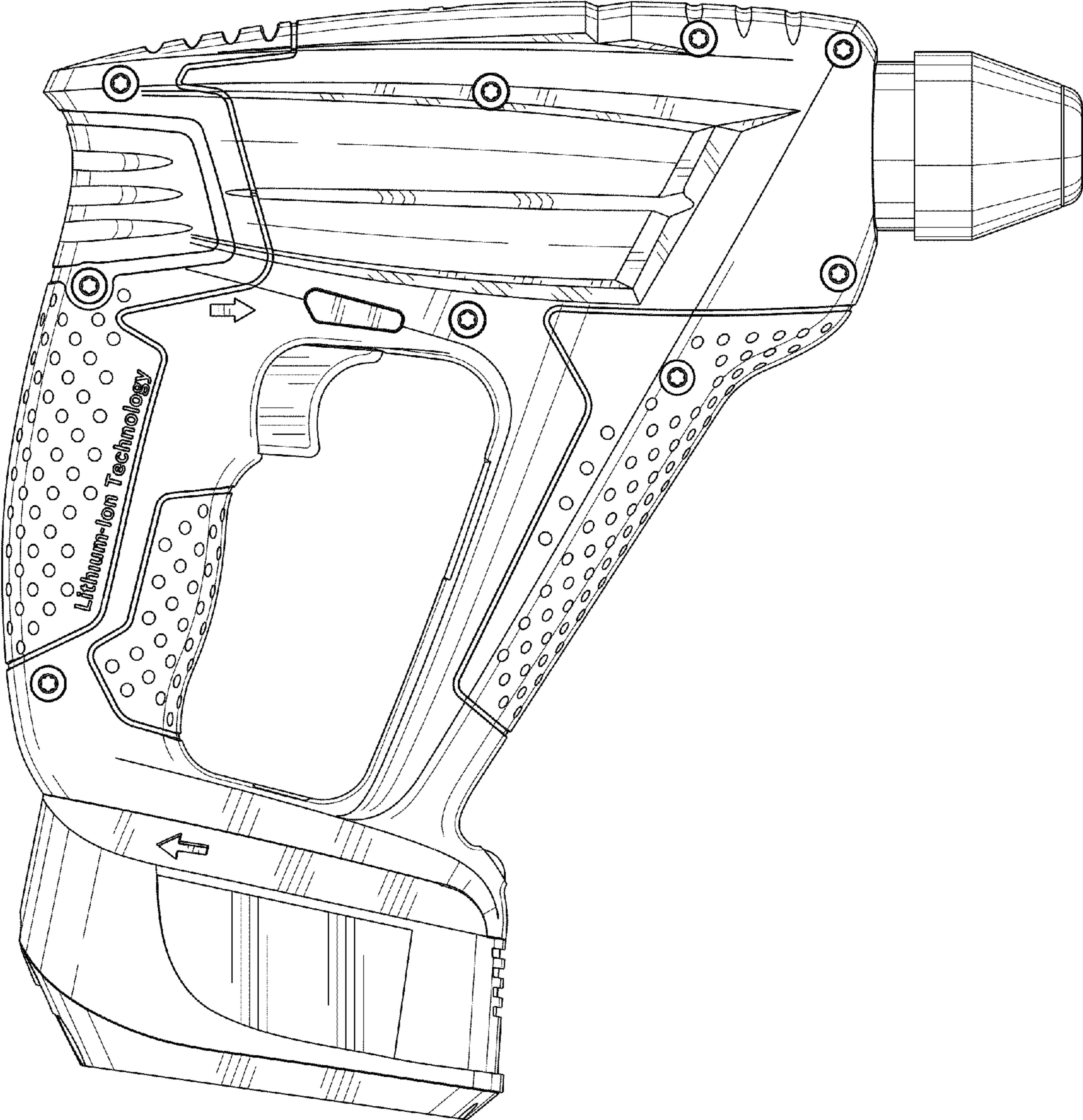


Fig. 4

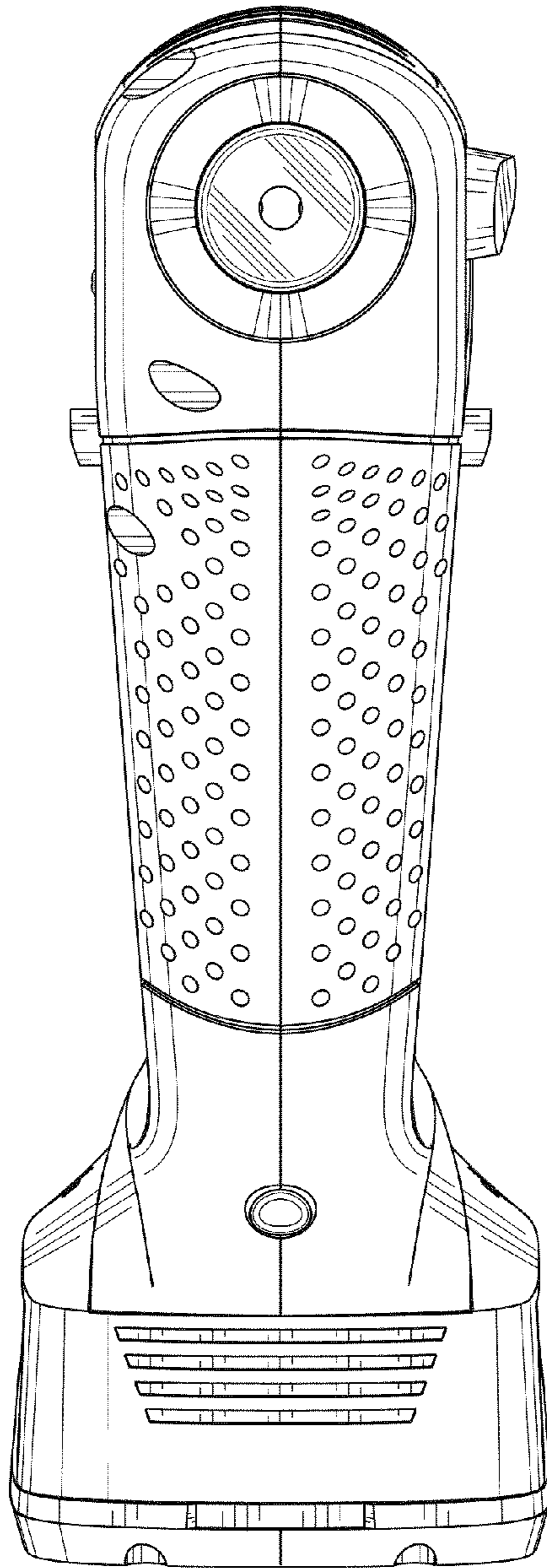


Fig. 5

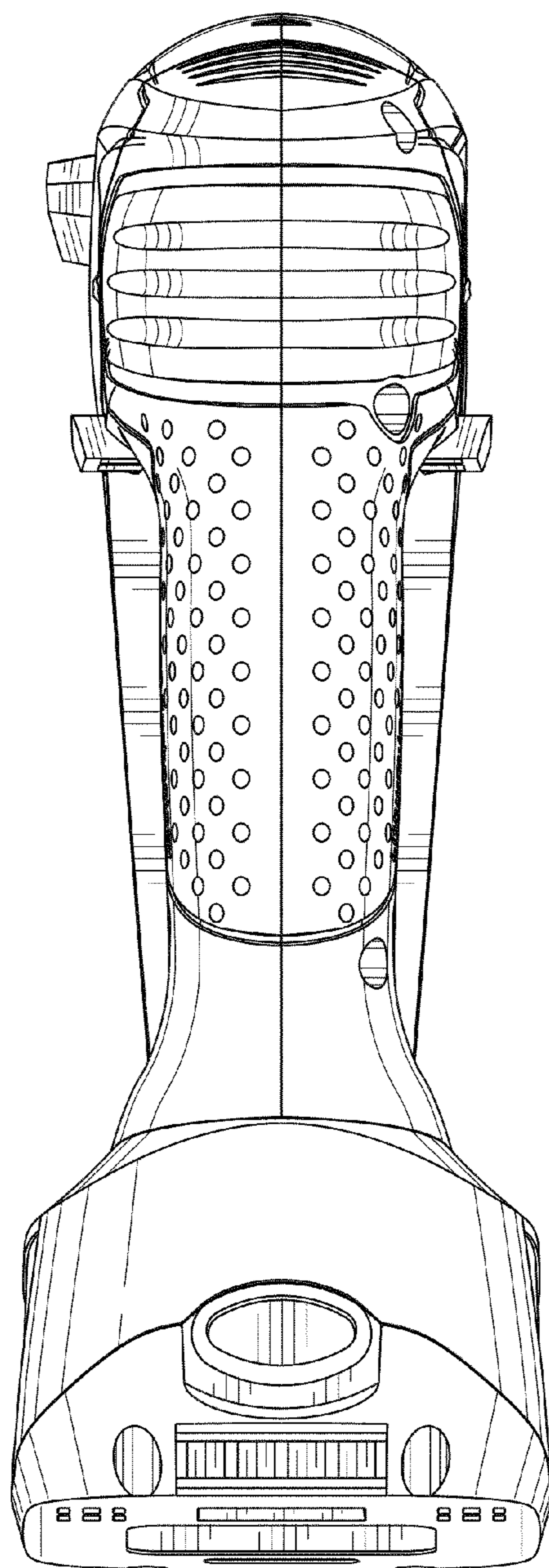


Fig. 6

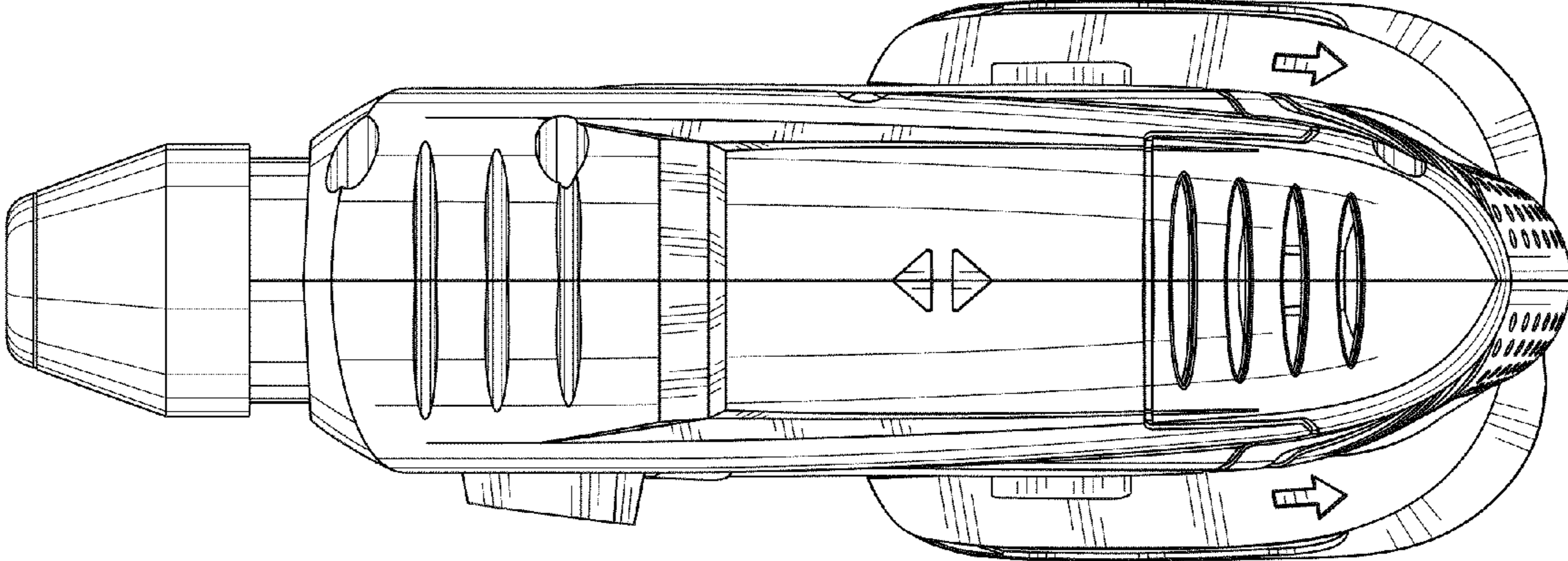


Fig. 7

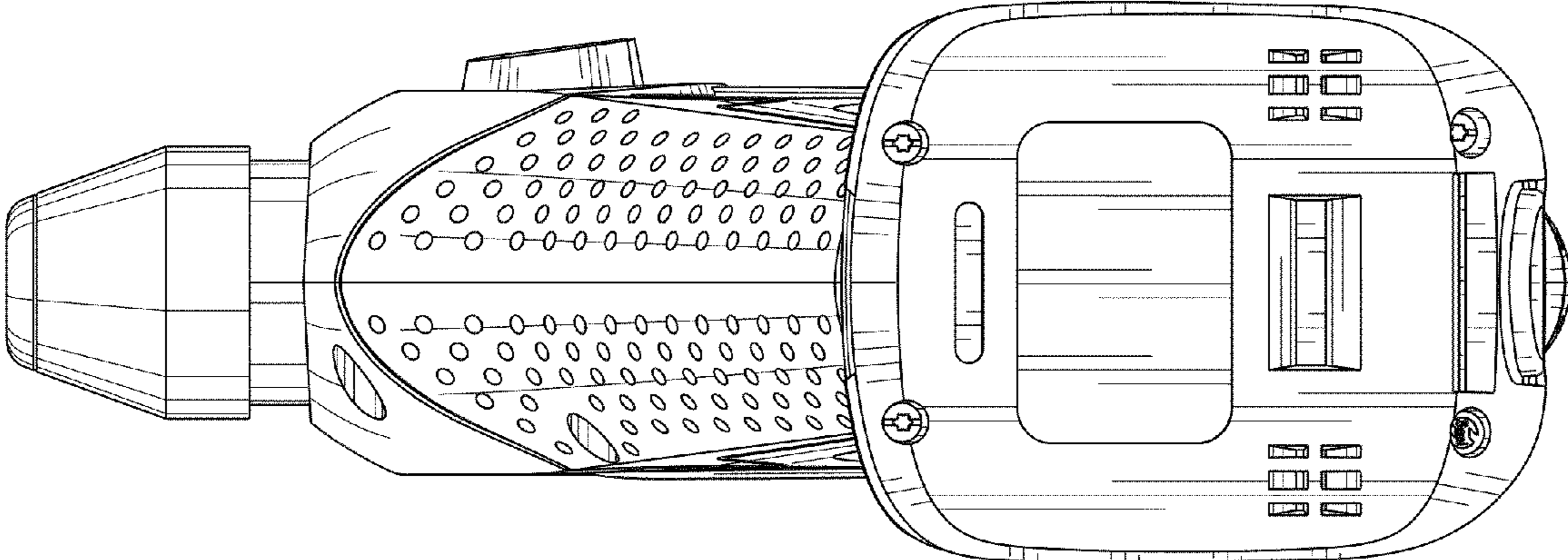


Fig. 8