



US00D646134S

(12) **United States Design Patent**
Lian et al.

(10) **Patent No.:** **US D646,134 S**

(45) **Date of Patent:** **** Oct. 4, 2011**

(54) **NOZZLE TIP**

Primary Examiner — Antonine D Davis

(75) Inventors: **Frank Lian**, Bergen (NO); **Tor André Skeie**, Rådal (NO)

(74) *Attorney, Agent, or Firm* — Christian D. Abel

(73) Assignee: **Tape Invent AS**, Bergen (NO)

(57) **CLAIM**

(**) Term: **14 Years**

The ornamental design for a nozzle tip, as shown.

(21) Appl. No.: **29/359,861**

DESCRIPTION

(22) Filed: **Apr. 16, 2010**

(51) **LOC (9) Cl.** **08-05**

FIG. 1 is a perspective view of the nozzle tip according to the design.

(52) **U.S. Cl.** **D8/14.1**

FIG. 2 is a front elevational view of the nozzle tip according to the design.

(58) **Field of Classification Search** D8/14.1;
222/92, 105, 145.1, 160, 325-327, 386, 391,
222/567, 389, 390, 1, 568, 490, 571, 82;
74/141.5, 424.28; 401/266

FIG. 3 is a bottom view of the nozzle tip according to the design.

See application file for complete search history.

FIG. 4 is a top view of the nozzle tip according to the design.

(56) **References Cited**

FIG. 5 is a rear view of the nozzle tip according to the design.

U.S. PATENT DOCUMENTS

FIG. 6 is a side view of the nozzle tip according to the design;

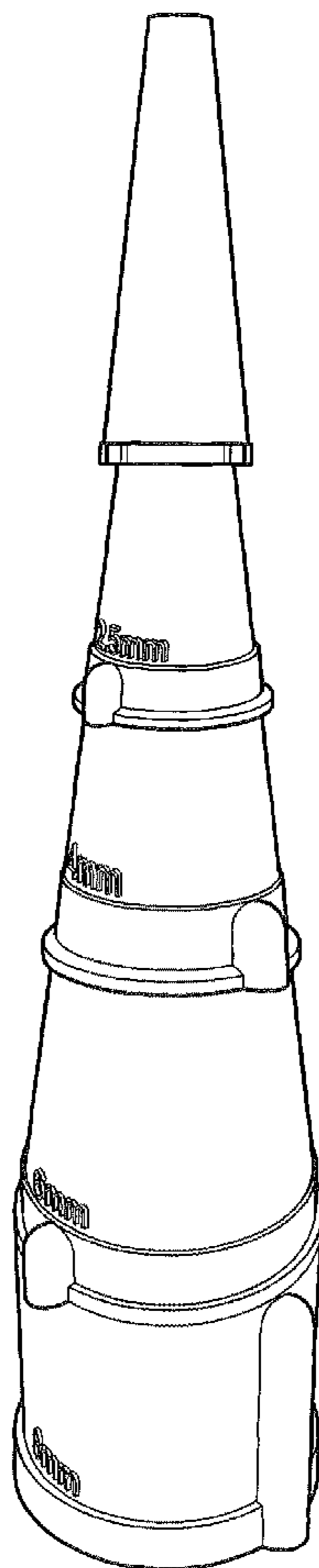
5,248,071	A *	9/1993	Ray	222/568
6,076,712	A *	6/2000	Esber et al.	222/527
2009/0108033	A1 *	4/2009	Quinn et al.	222/568

and,

FIG. 7 is a side view of the nozzle tip according to the design.

* cited by examiner

1 Claim, 7 Drawing Sheets



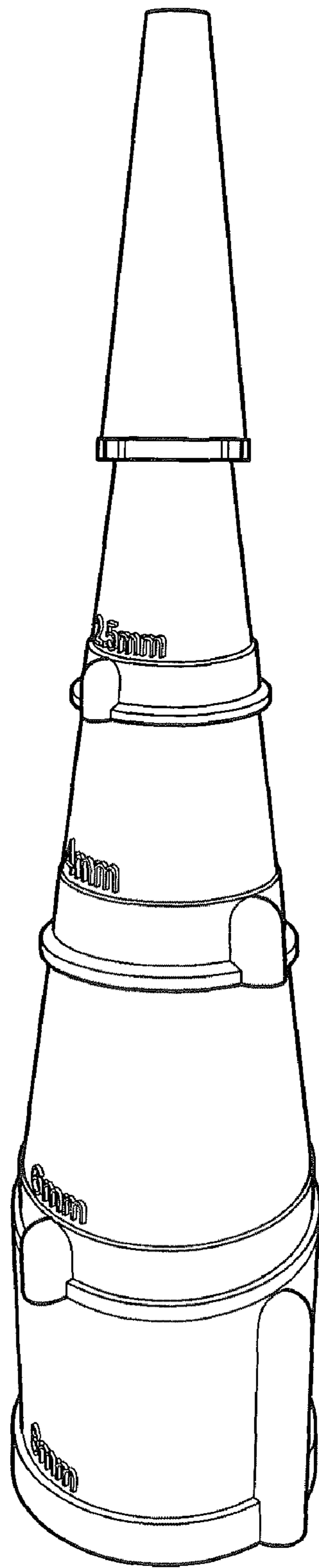


FIG. 1

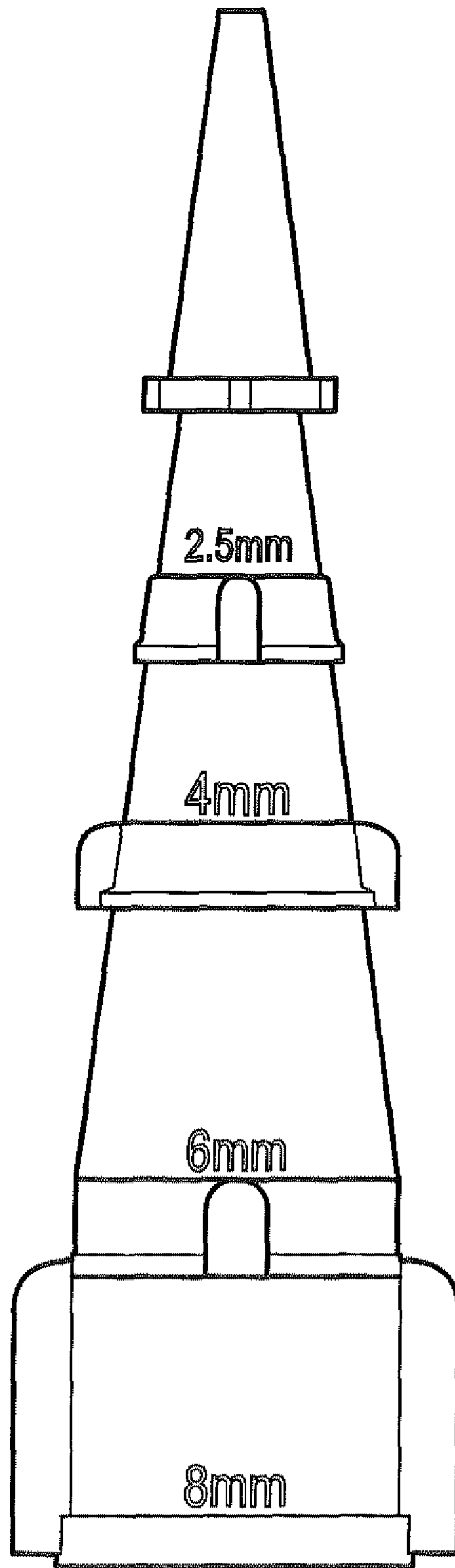


FIG. 2

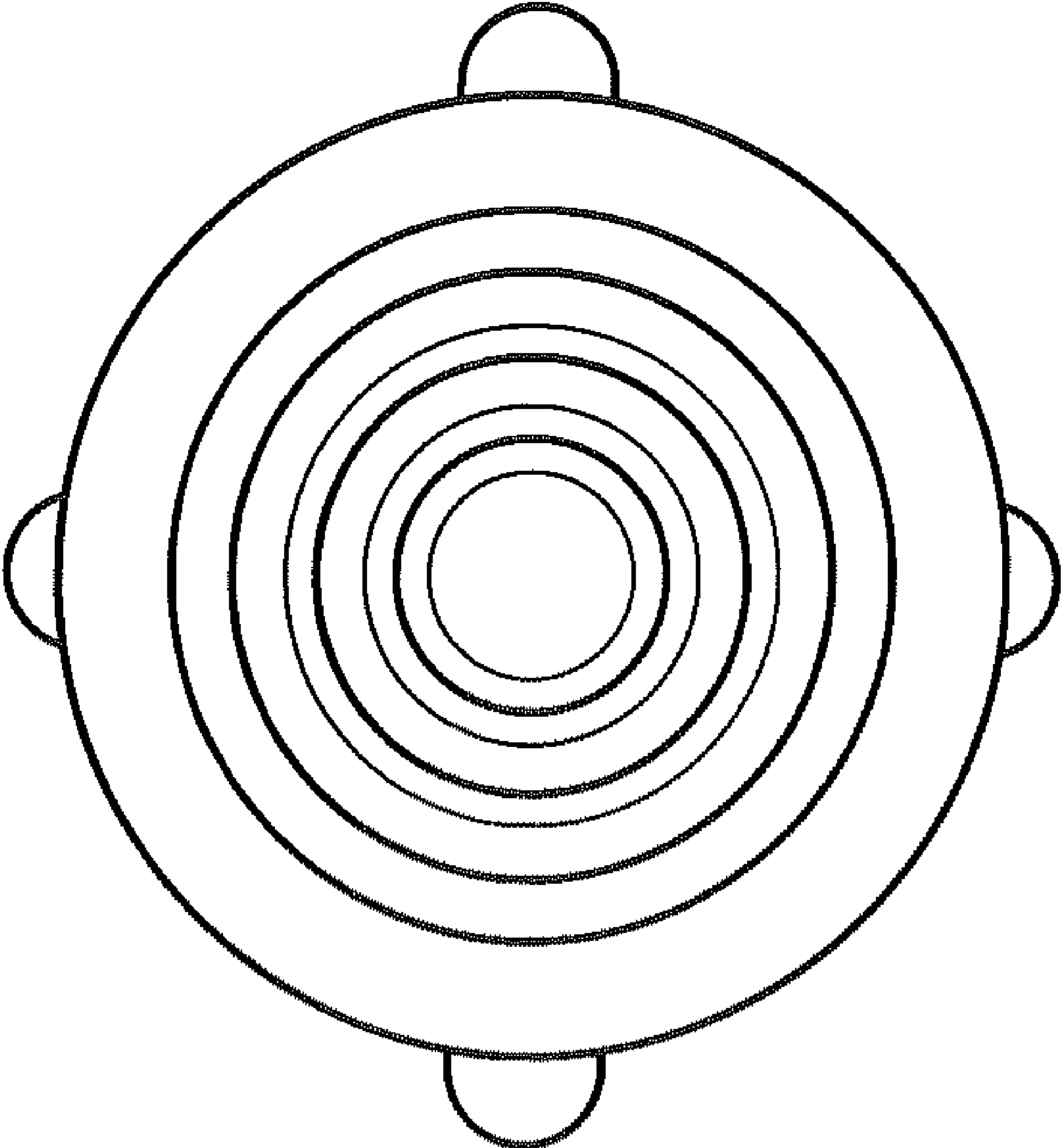


FIG. 3

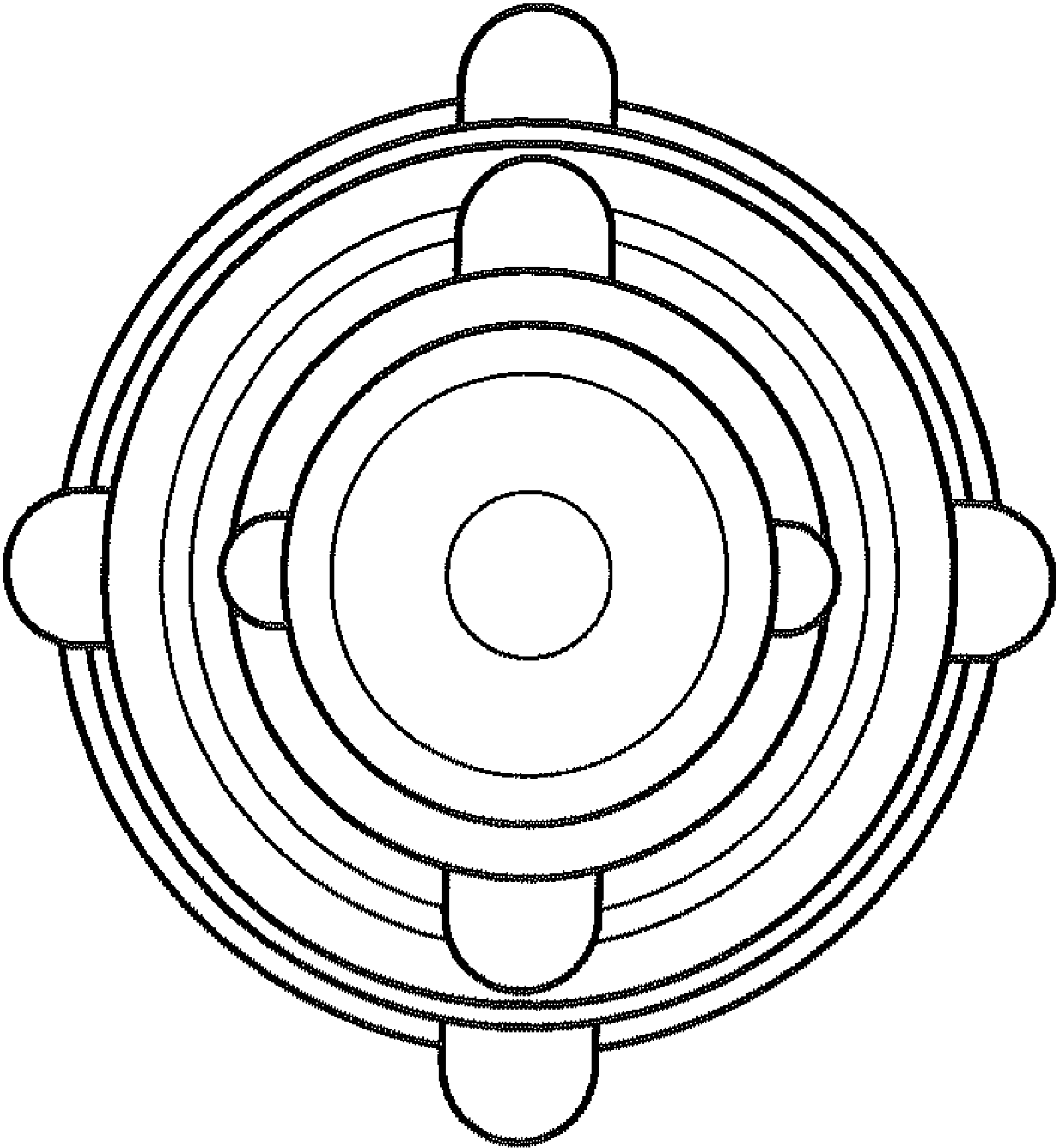


FIG. 4

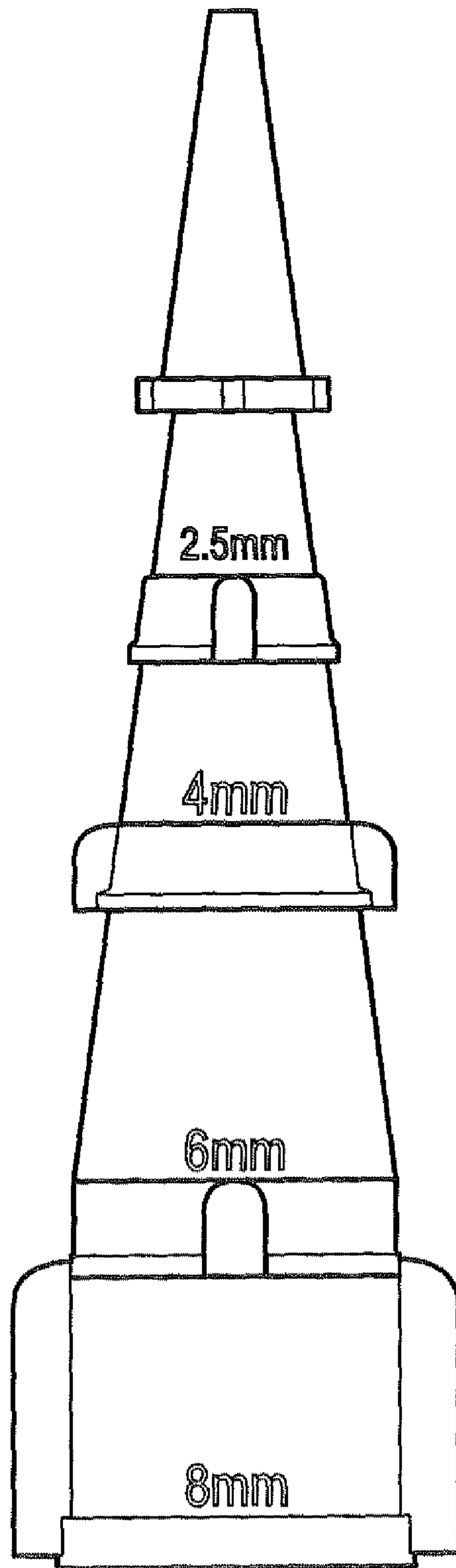


FIG. 5

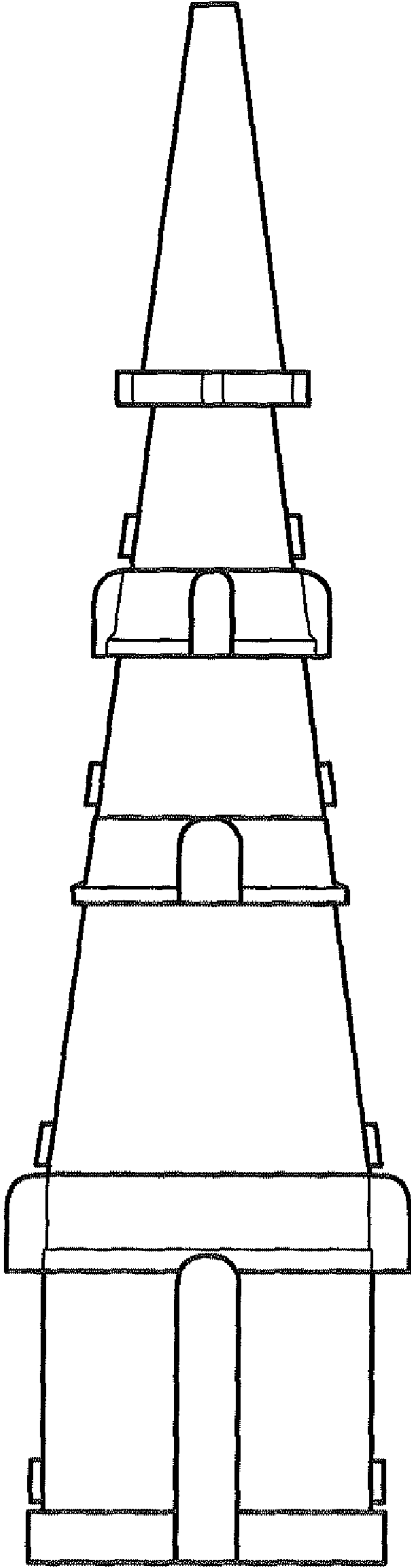


FIG. 6

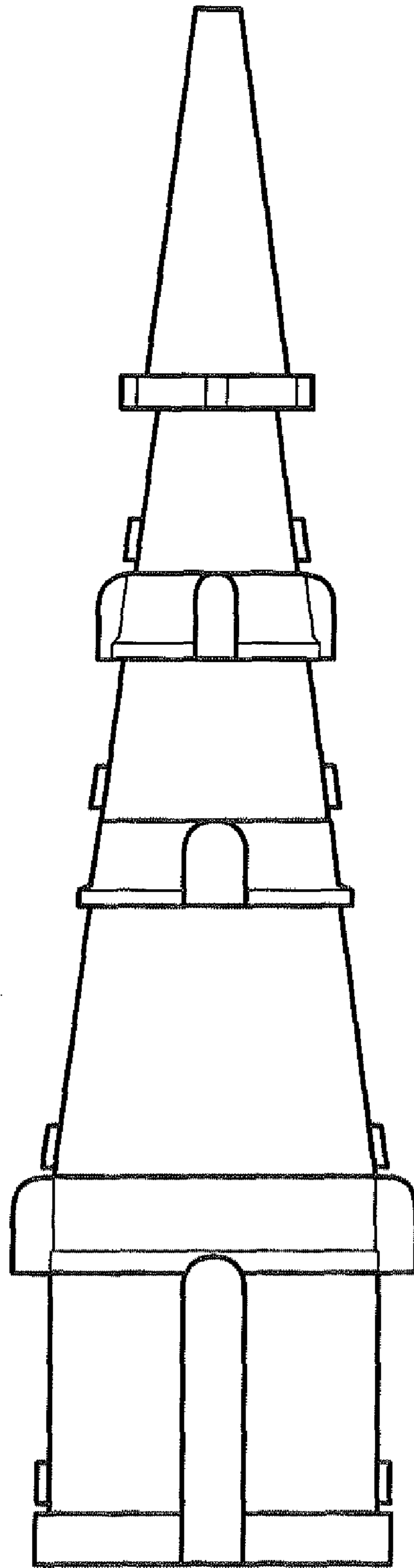


FIG. 7