



US00D646131S

(12) **United States Design Patent**
Renfu

(10) **Patent No.:** **US D646,131 S**

(45) **Date of Patent:** **** Oct. 4, 2011**

(54) **FOLDABLE WEEDER**

(75) Inventor: **Chen Renfu**, Zhongshan (CN)

(73) Assignee: **Alterra Tools Ltd.**, Kowloon, Hong Kong (CN)

(**) Term: **14 Years**

(21) Appl. No.: **29/361,949**

(22) Filed: **May 18, 2010**

(51) **LOC (9) Cl.** **08-01**

(52) **U.S. Cl.** **D8/7**

(58) **Field of Classification Search** D8/7, 11, D8/1, 8, 9, 10, 13; 294/49, 50.8, 50.9; 172/19-22, 172/371-372; D23/411

See application file for complete search history.

(56) **References Cited**

U.S. PATENT DOCUMENTS

D194,923	S	*	4/1963	Grover	D8/7
5,234,241	A	*	8/1993	Ikerd	294/50.8
5,743,579	A	*	4/1998	Ranburger	294/50.8
D522,323	S	*	6/2006	Toth	D8/7
D588,424	S	*	3/2009	Baker	D8/7
D597,387	S	*	8/2009	Huber	D8/7
7,819,447	B1	*	10/2010	Ange	294/50.9

* cited by examiner

Primary Examiner — Cynthia M Chin

Assistant Examiner — Sheryl Lane

(74) *Attorney, Agent, or Firm* — McAndrews, Held & Malloy, Ltd.

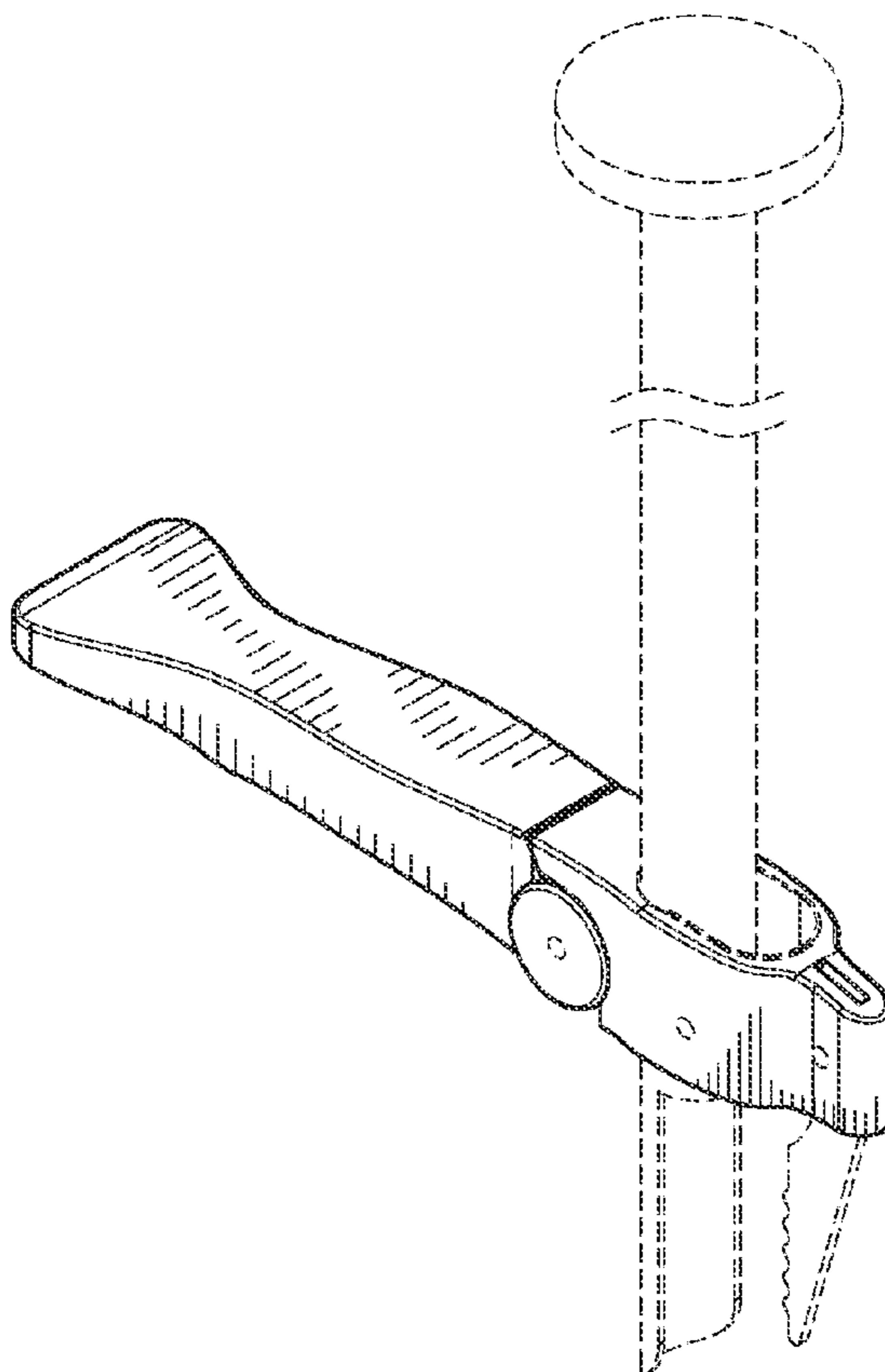
(57) **CLAIM**

I claim the ornamental design for a foldable weeder, as shown and described.

DESCRIPTION

FIG. 1 is a perspective view of the foldable weeder.
 FIG. 2 is a top plan view of the foldable weeder of FIG. 1.
 FIG. 3 is a rear elevational view of the foldable weeder of FIG. 1.
 FIG. 4 is a right side elevational view of the foldable weeder of FIG. 1.
 FIG. 5 is front elevational view of the foldable weeder of FIG. 1.
 FIG. 6 is a left side elevational view of the foldable weeder of FIG. 1; and,
 FIG. 7 is a bottom plan view of the foldable weeder of FIG. 1.
 The broken line showing of FIGS. 1-7 has been included for the purpose of showing environment and forms no part of the claimed design.

1 Claim, 3 Drawing Sheets



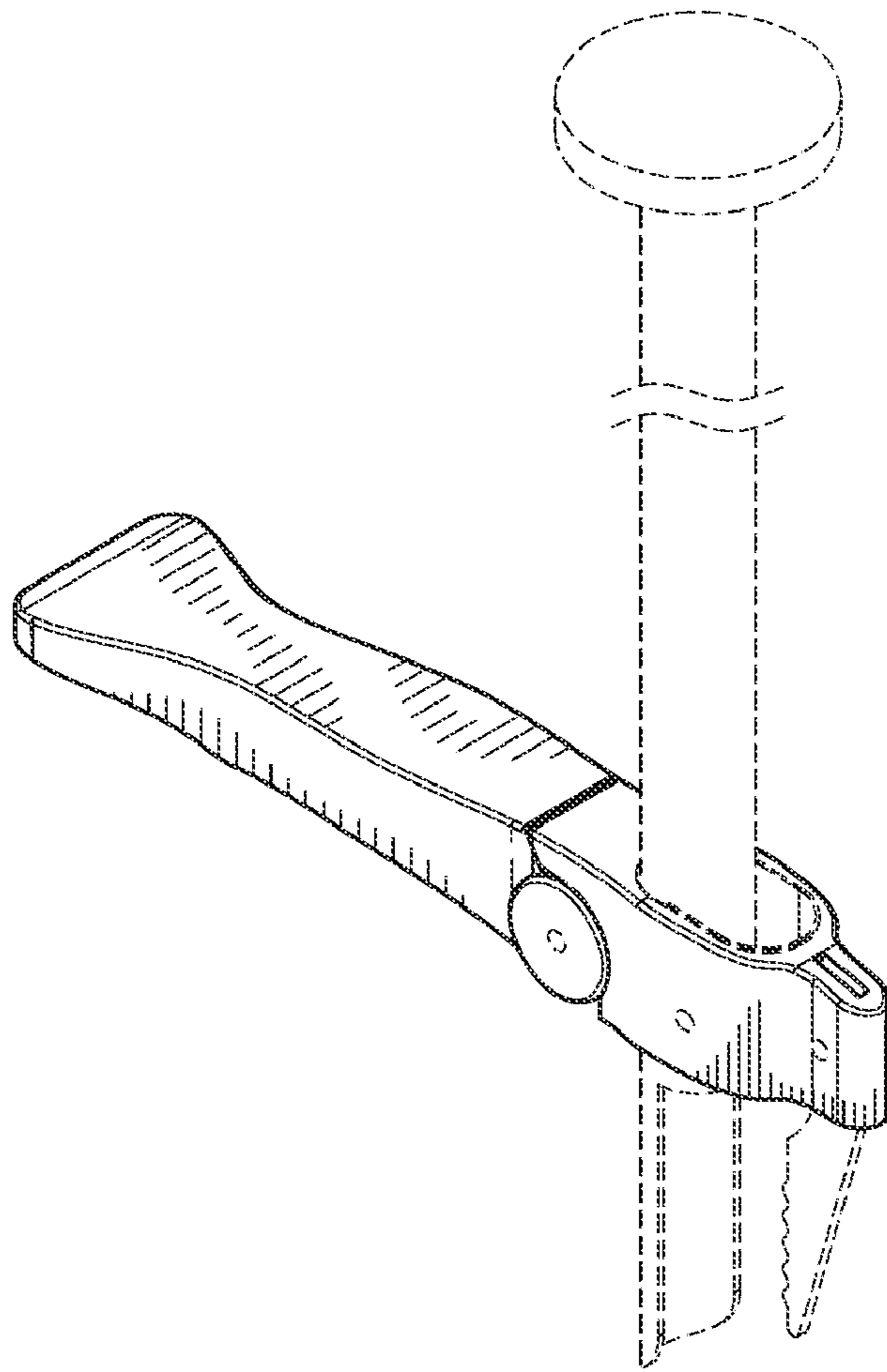


FIG. 1

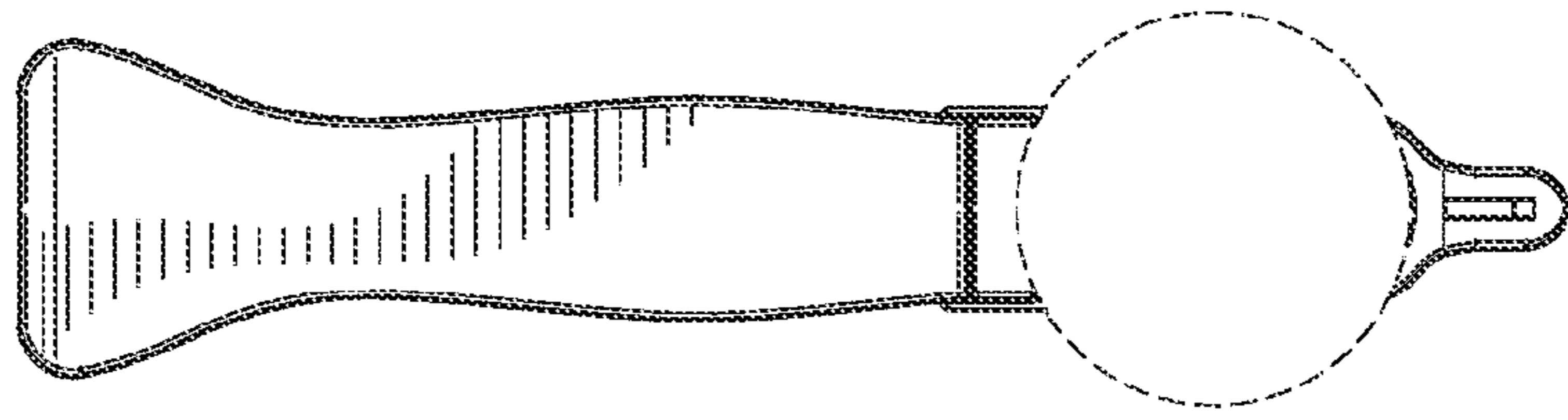


FIG. 2

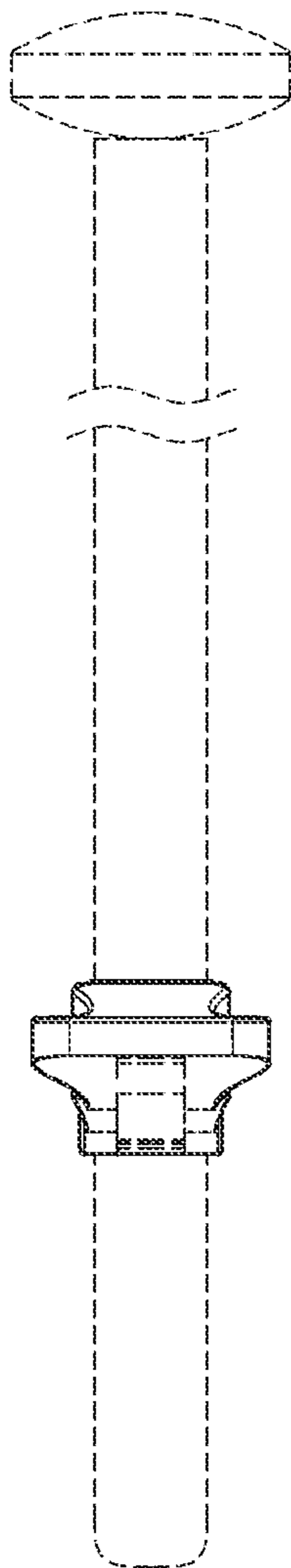


FIG. 3

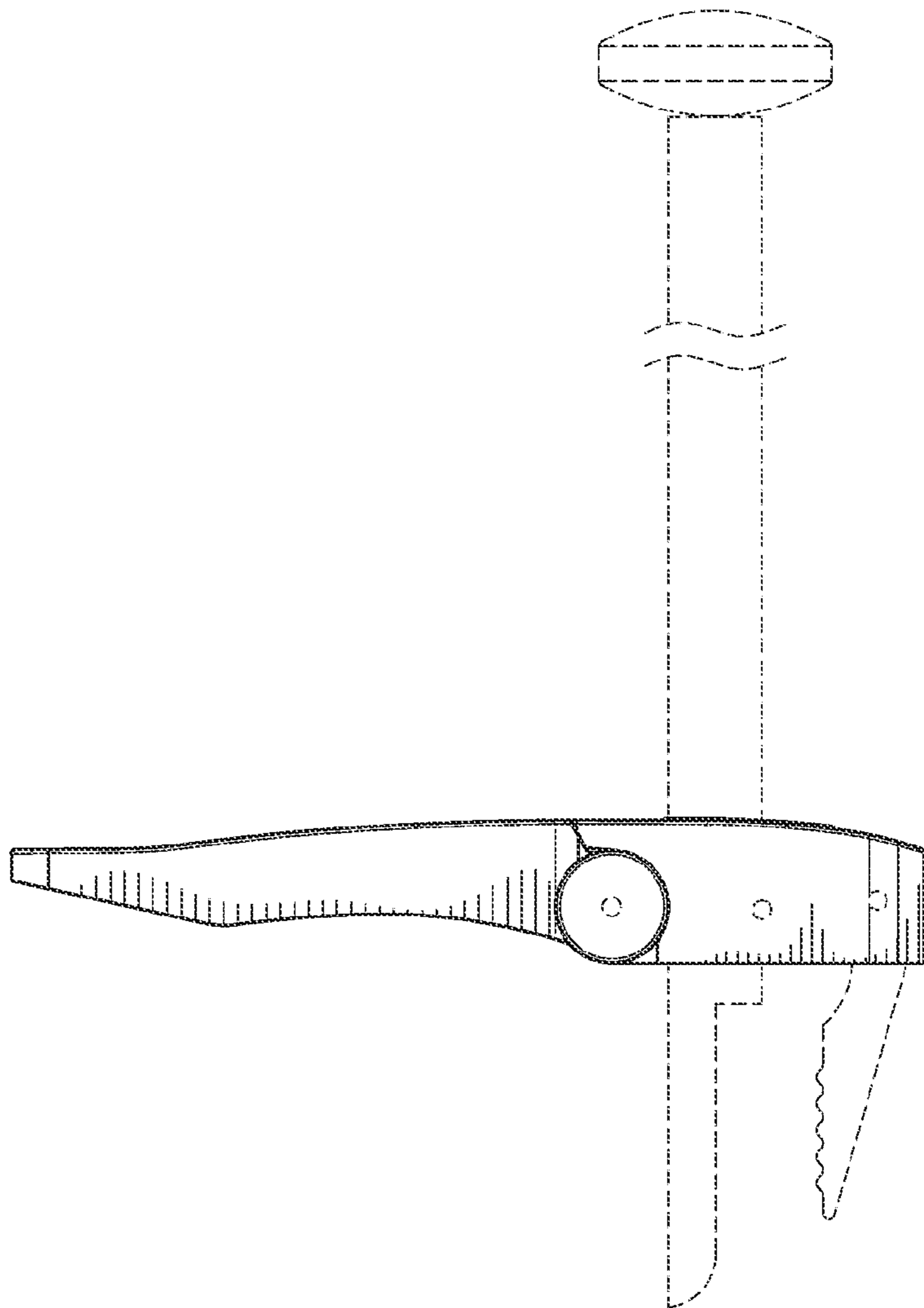


FIG. 4

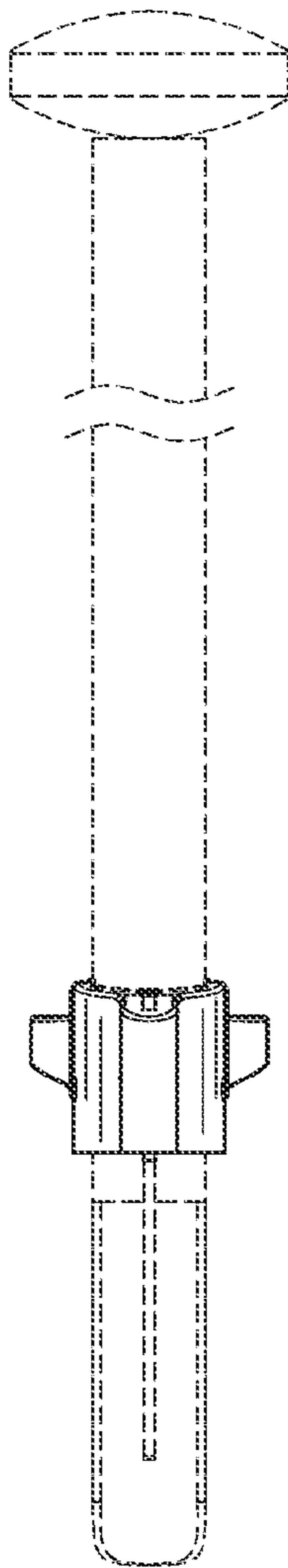


FIG. 5

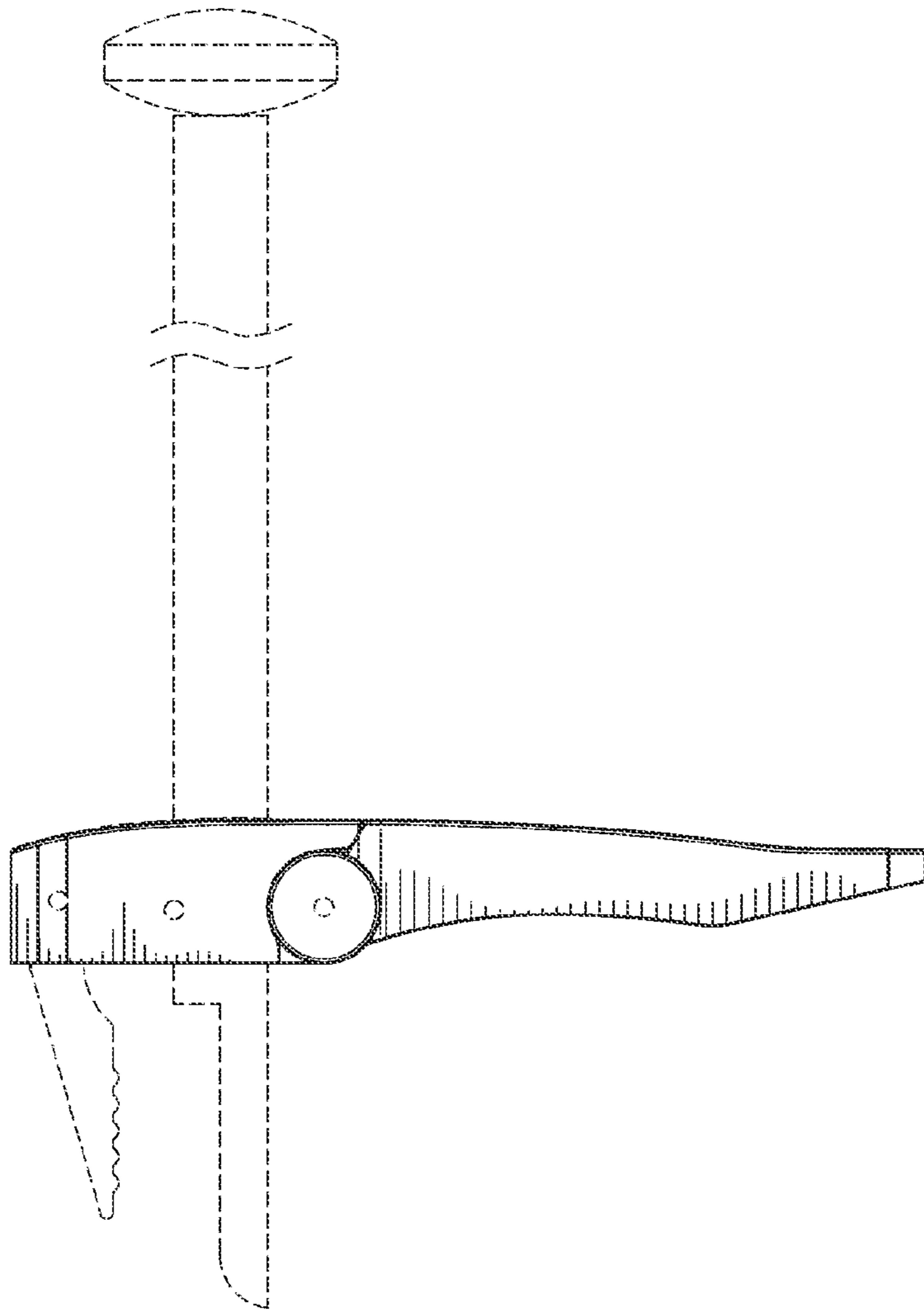


FIG. 6

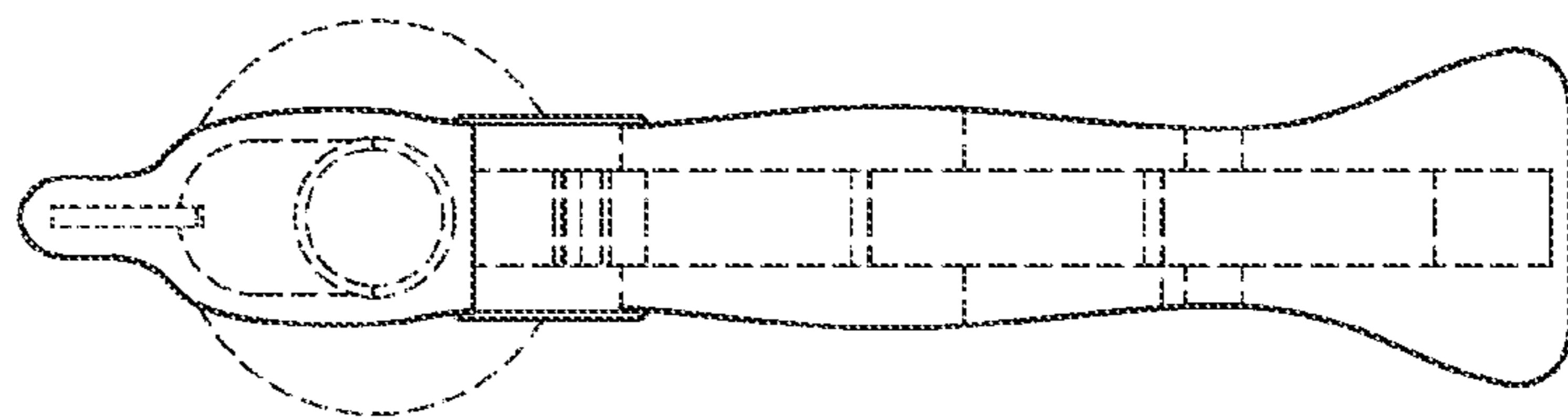


FIG. 7