



US00D646129S

(12) **United States Design Patent**  
**Hoff**

(10) **Patent No.:** **US D646,129 S**

(45) **Date of Patent:** **\*\* Oct. 4, 2011**

(54) **WATER BOX**

(75) **Inventor:** **Petrus Mattheus Maria Hoff,**  
Roosendaal (NL)

(73) **Assignee:**  **Holding P.M.M. Hoff B.V. (NL)**

(\*\*) **Term:** **14 Years**

(21) **Appl. No.:** **29/357,962**

(22) **Filed:** **Mar. 19, 2010**

(30) **Foreign Application Priority Data**

Sep. 21, 2009 (EM) ..... 1613886-0001

(51) **LOC (9) Cl.** ..... **08-01**

(52) **U.S. Cl.** ..... **D8/1**

(58) **Field of Classification Search** ..... D8/1; D11/143,  
D11/152; 47/48.5, 47, 38.1

See application file for complete search history.

(56) **References Cited**

**U.S. PATENT DOCUMENTS**

2,532,931	A *	12/1950	Miller	.....	47/40.5
3,738,060	A *	6/1973	Jullien-Davin	.....	47/81
4,087,938	A *	5/1978	Koch	.....	47/48.5
D279,175	S *	6/1985	Eklof	.....	D11/164
D386,114	S *	11/1997	Carson	.....	D11/143
5,782,453	A *	7/1998	Tuzza et al.	.....	248/523

D399,712	S *	10/1998	Villella	.....	D8/1
D409,945	S *	5/1999	Hensen	.....	D11/152
D491,487	S *	6/2004	Buss	.....	D11/152
6,869,198	B1 *	3/2005	Garza	.....	362/123
6,966,334	B2 *	11/2005	Bolster	.....	137/434
D555,990	S *	11/2007	Shepardson	.....	D8/1
D590,217	S *	4/2009	Powell	.....	D8/1
D620,065	S *	7/2010	Michel	.....	D21/815

\* cited by examiner

*Primary Examiner* — Holly Baynham

*Assistant Examiner* — Sheryl Lane

(74) *Attorney, Agent, or Firm* — Altera Law Group, LLC

(57) **CLAIM**

The ornamental design for a water box, as shown and described.

**DESCRIPTION**

FIG. 1 is a perspective view of the top perspective view of the water box.

FIG. 2 is a top plan view thereof.

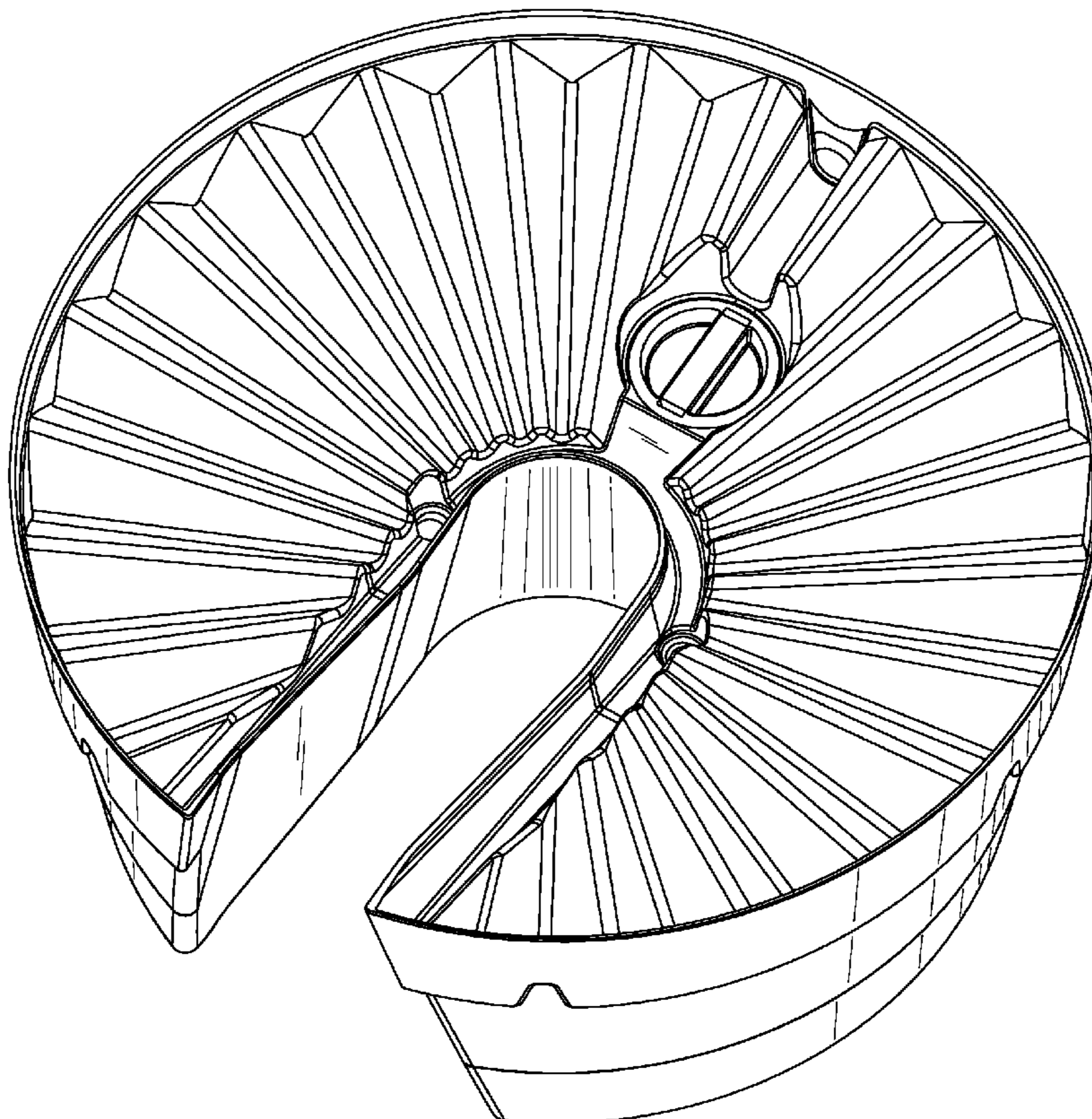
FIG. 3 is a bottom plan view thereof.

FIG. 4 is a side plan view thereof.

FIG. 5 is a side plan view thereof rotated 90°; and,

FIG. 6 is a bottom perspective view thereof.

**1 Claim, 6 Drawing Sheets**



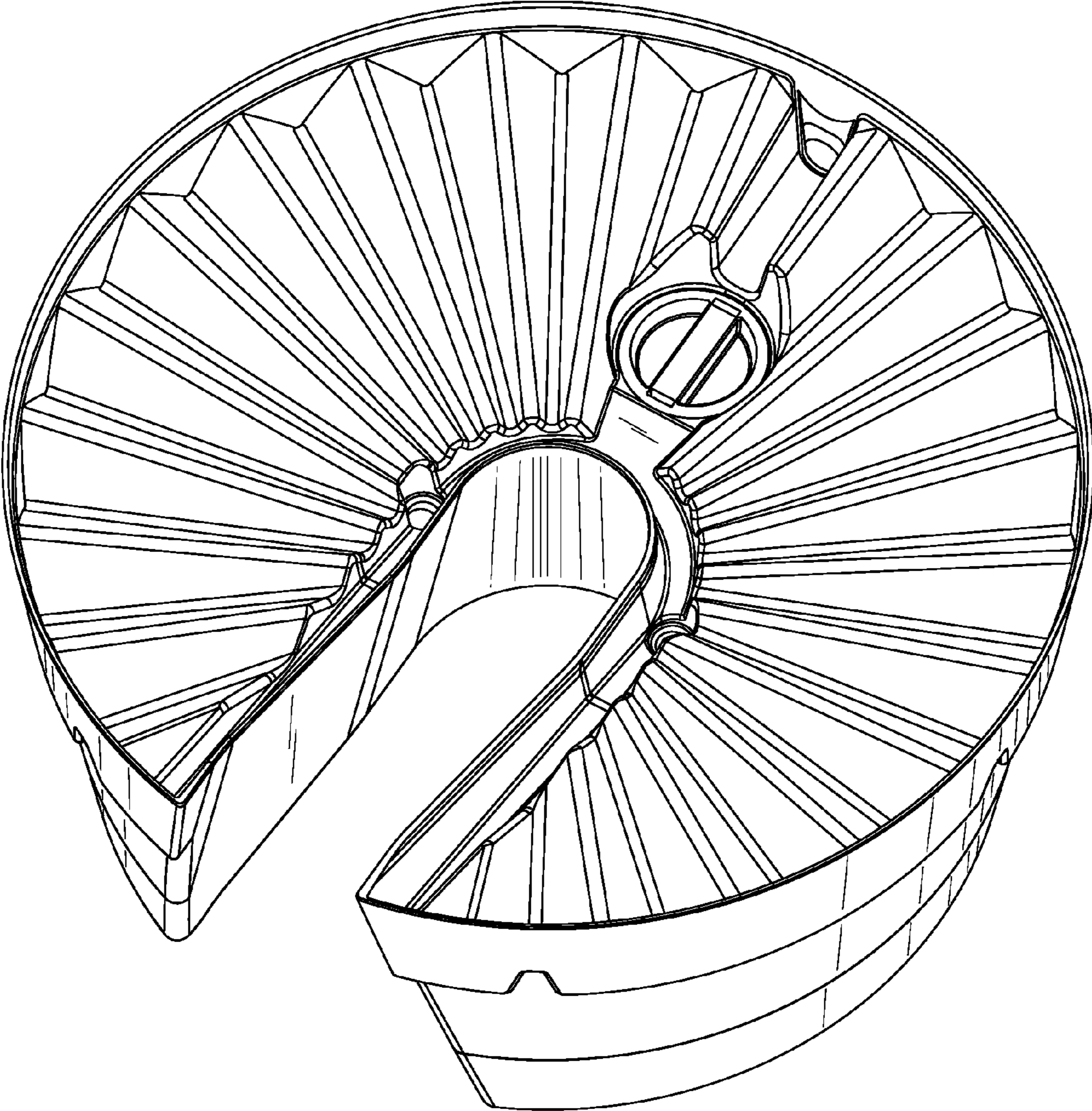


Fig. 1



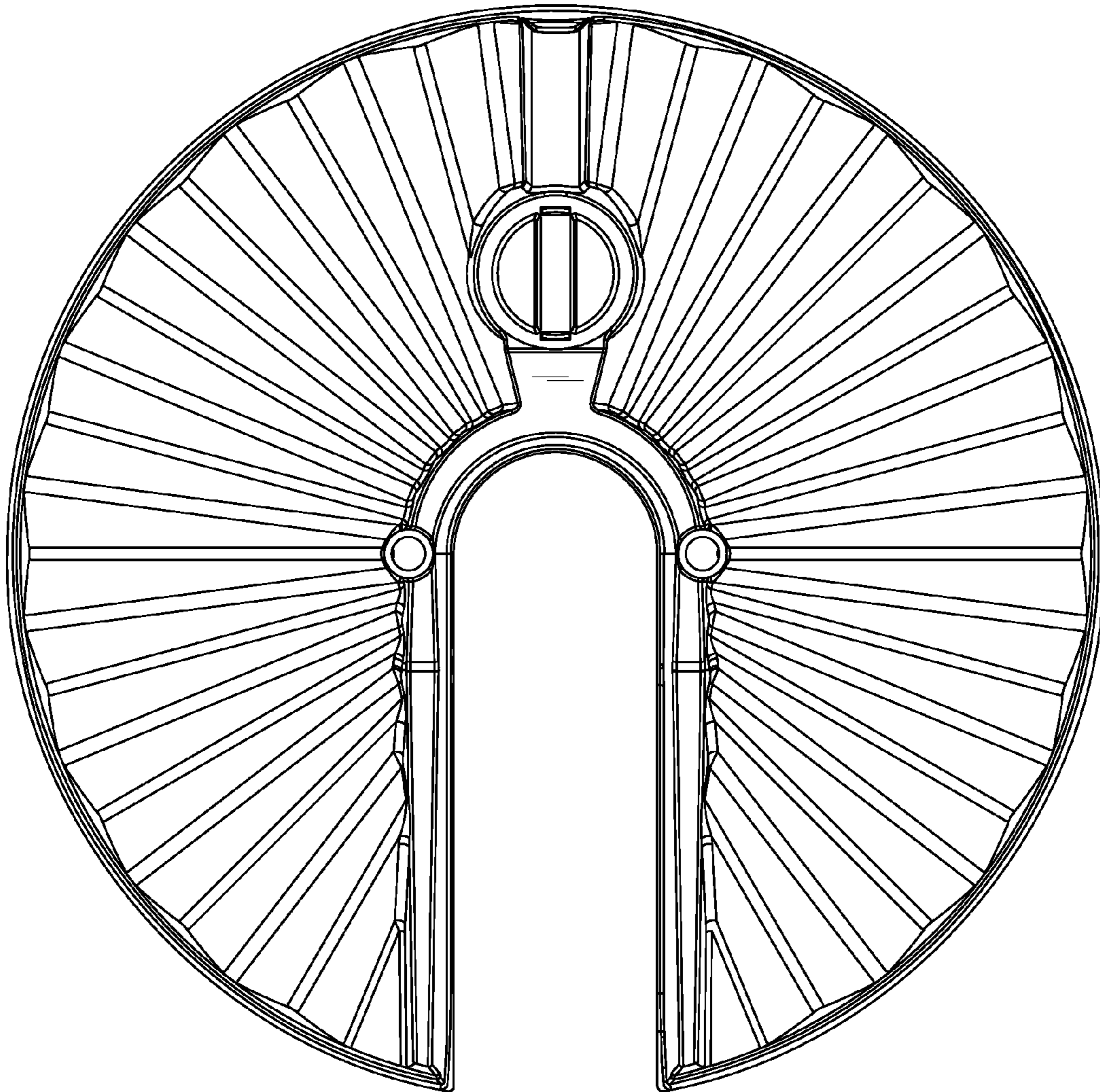


Fig. 2

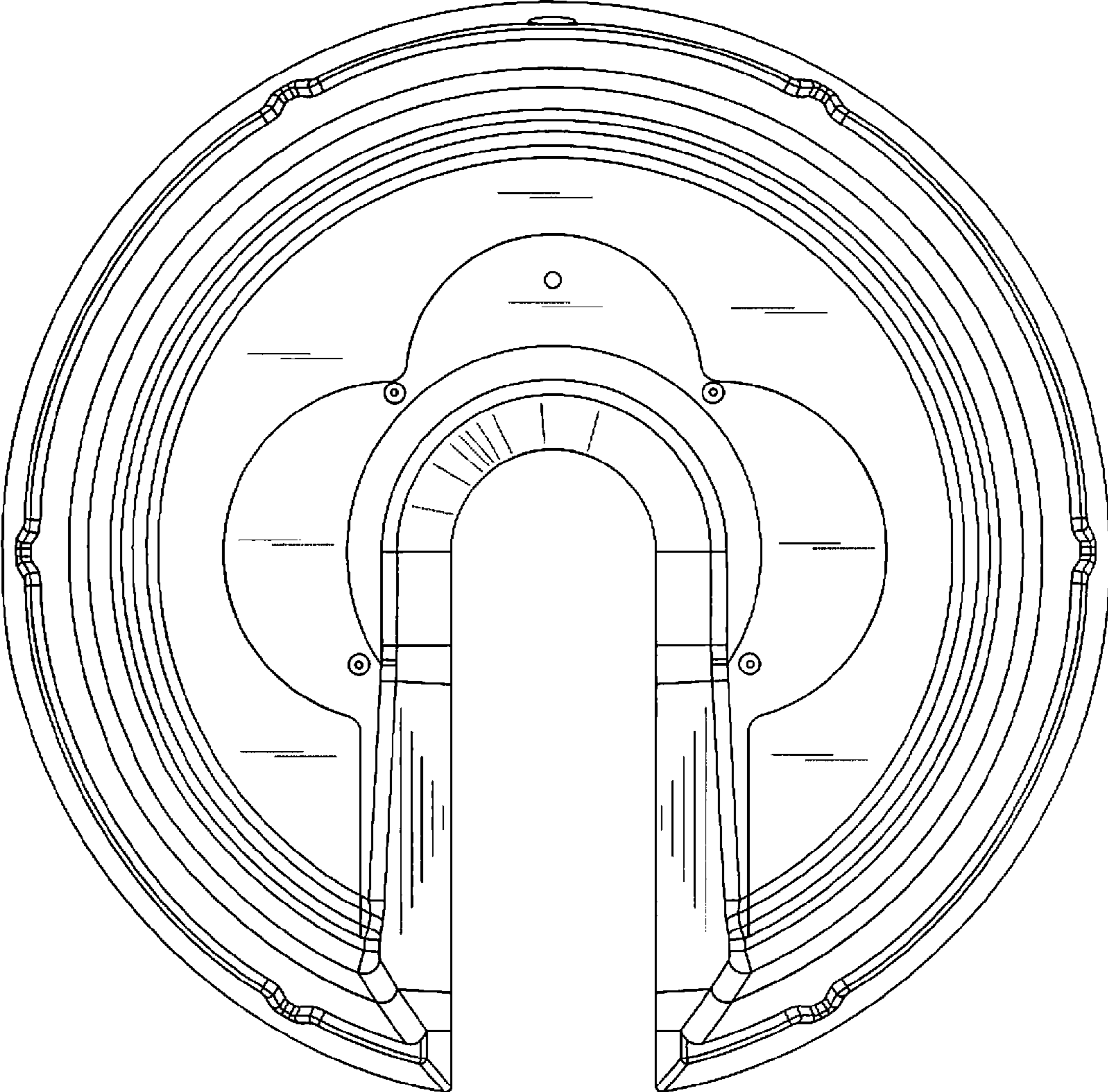
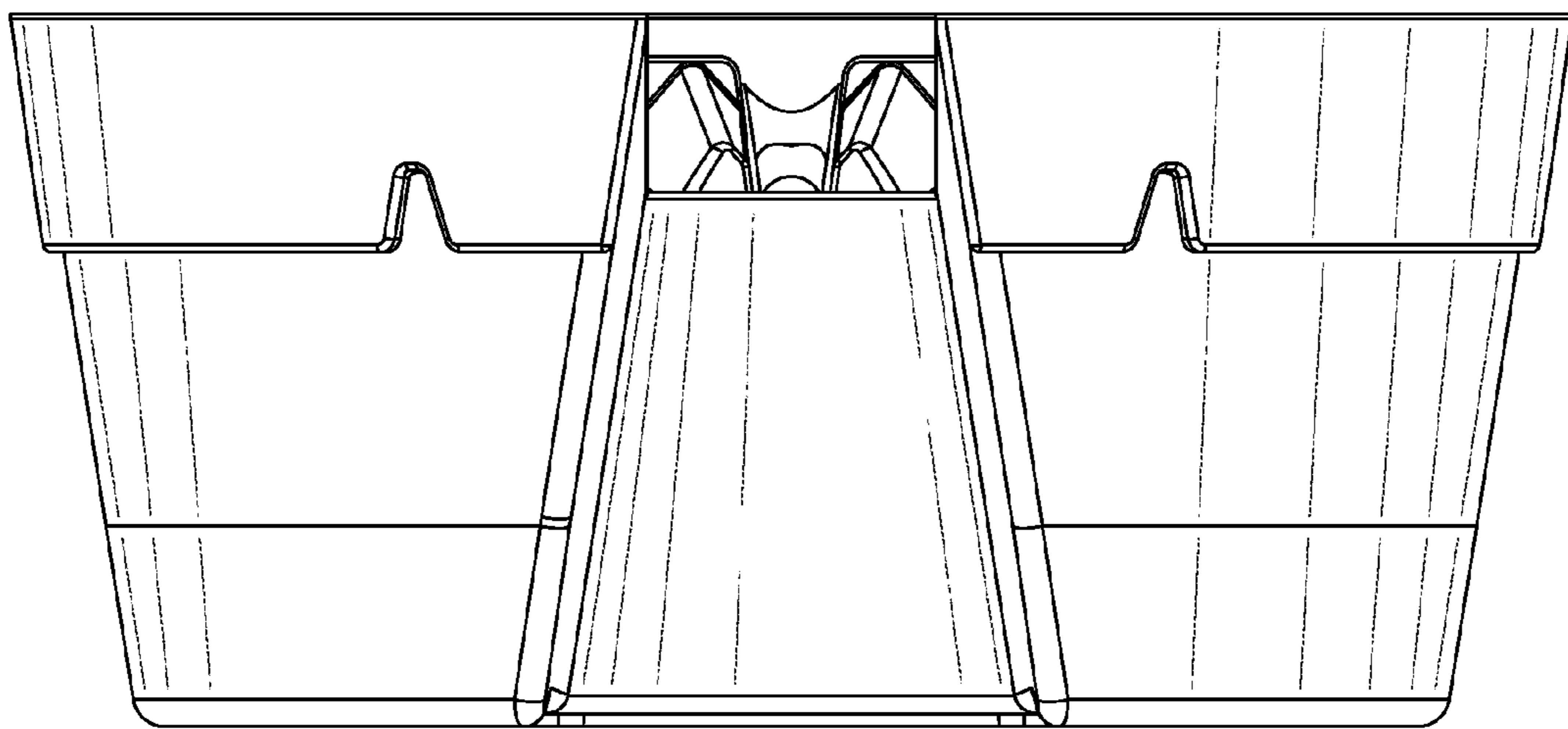


Fig. 3



**Fig. 4**

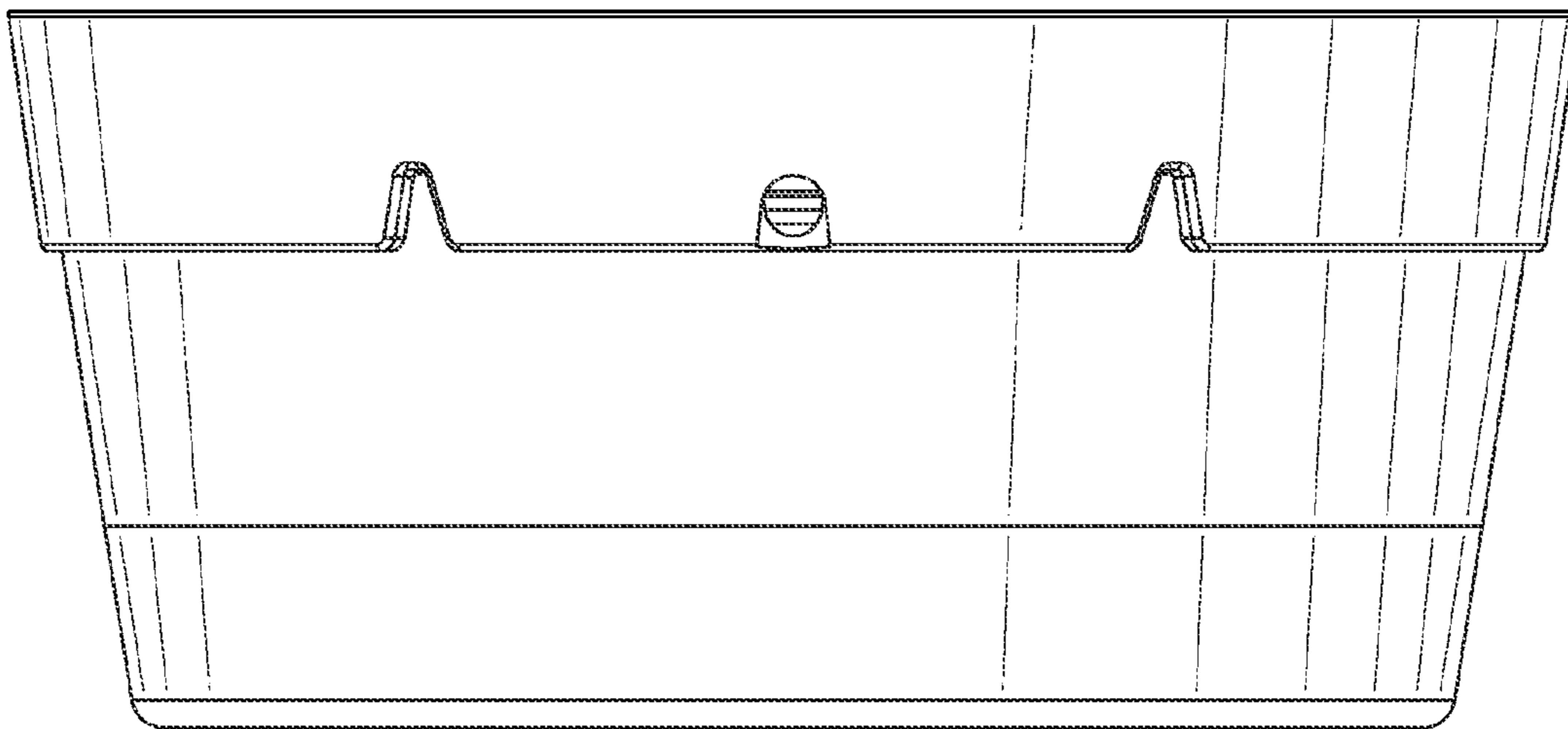


Fig. 5



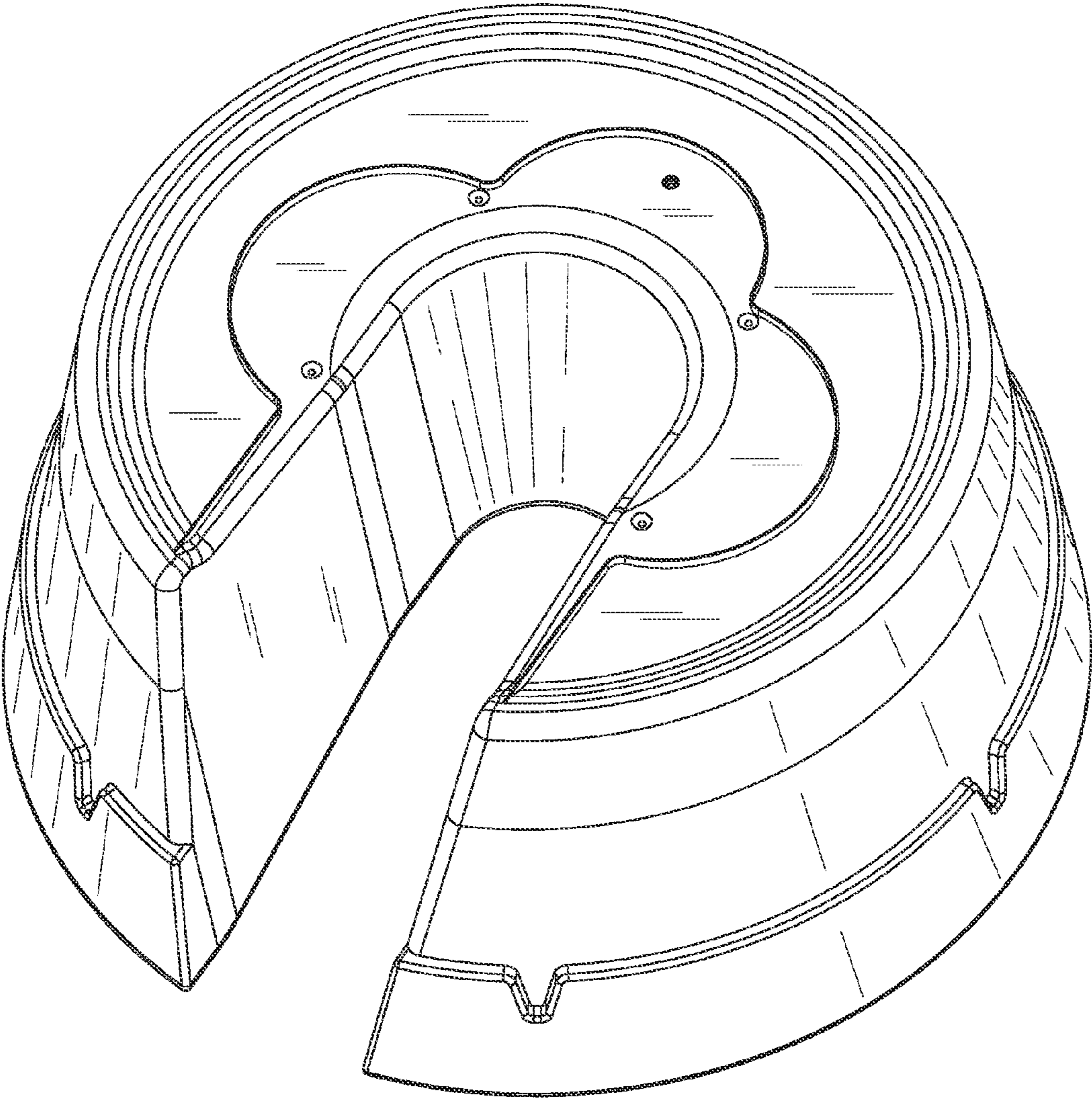


Fig. 6