



US00D646128S

(12) **United States Design Patent**
Cetti

(10) **Patent No.:** **US D646,128 S**

(45) **Date of Patent:** **** Oct. 4, 2011**

(54) **CONTAINER**

Primary Examiner — Terry Wallace

(75) Inventor: **Dorte Cetti**, Frederiksberg (DK)

(74) *Attorney, Agent, or Firm* — Dykema Gossett PLLC

(73) Assignee: **Superfos A/S**, Taastrup (DK)

(57) **CLAIM**

(**) Term: **14 Years**

The ornamental design for a container, as shown and described.

(21) Appl. No.: **29/371,300**

DESCRIPTION

(22) Filed: **Dec. 21, 2010**

(30) **Foreign Application Priority Data**

Jun. 21, 2010 (EM) 001722208

(51) **LOC (9) Cl.** **07-07**

(52) **U.S. Cl.** **D7/629**

(58) **Field of Classification Search** D7/601,
D7/602, 629, 538–542, 391–392.1; D9/424–432,
D9/434, 435, 454; 220/574–575, 780–806,
220/236

See application file for complete search history.

FIG. 1 is a top plan view of a first embodiment of a container showing my new and ornamental design, FIG. 2 is a bottom plan view thereof, FIG. 3 is a side view thereof, the other side views being identical, and FIG. 4 is a perspective top view thereof, FIG. 5 is a top plan view of a second embodiment of a container showing my new and ornamental design, FIG. 6 is a bottom plan view thereof, FIG. 7 is a side view thereof, the other side views being identical, and FIG. 8 is a perspective top view thereof, FIG. 9 is a top plan view of a third embodiment of a container showing my new and ornamental design, FIG. 10 is a bottom plan view thereof, FIG. 11 is a side view thereof, the other side views being identical, and FIG. 12 is a perspective top view thereof, and FIG. 13 is a top plan view of a fourth embodiment of a container showing my new and ornamental design, FIG. 14 is a bottom plan view thereof, FIG. 15 is a side view thereof, the other side views being identical; and, FIG. 16 is a perspective top view thereof.

(56) **References Cited**

U.S. PATENT DOCUMENTS

D256,557 S *	8/1980	Ikushima et al.	D9/425
4,412,630 A *	11/1983	Daenen	220/792
D279,251 S *	6/1985	Daenen et al.	D7/629
D457,784 S *	5/2002	Torniainen et al.	D7/552.1
D505,839 S *	6/2005	Stanos et al.	D7/629
D542,100 S *	5/2007	Kim	D7/629
7,261,219 B2 *	8/2007	Tucker et al.	220/793
D557,569 S *	12/2007	Stamper et al.	D7/629
D568,693 S *	5/2008	Furlong	D7/629
D568,694 S *	5/2008	Furlong	D7/629
D614,949 S *	5/2010	Schmidt	D9/424

* cited by examiner

1 Claim, 4 Drawing Sheets

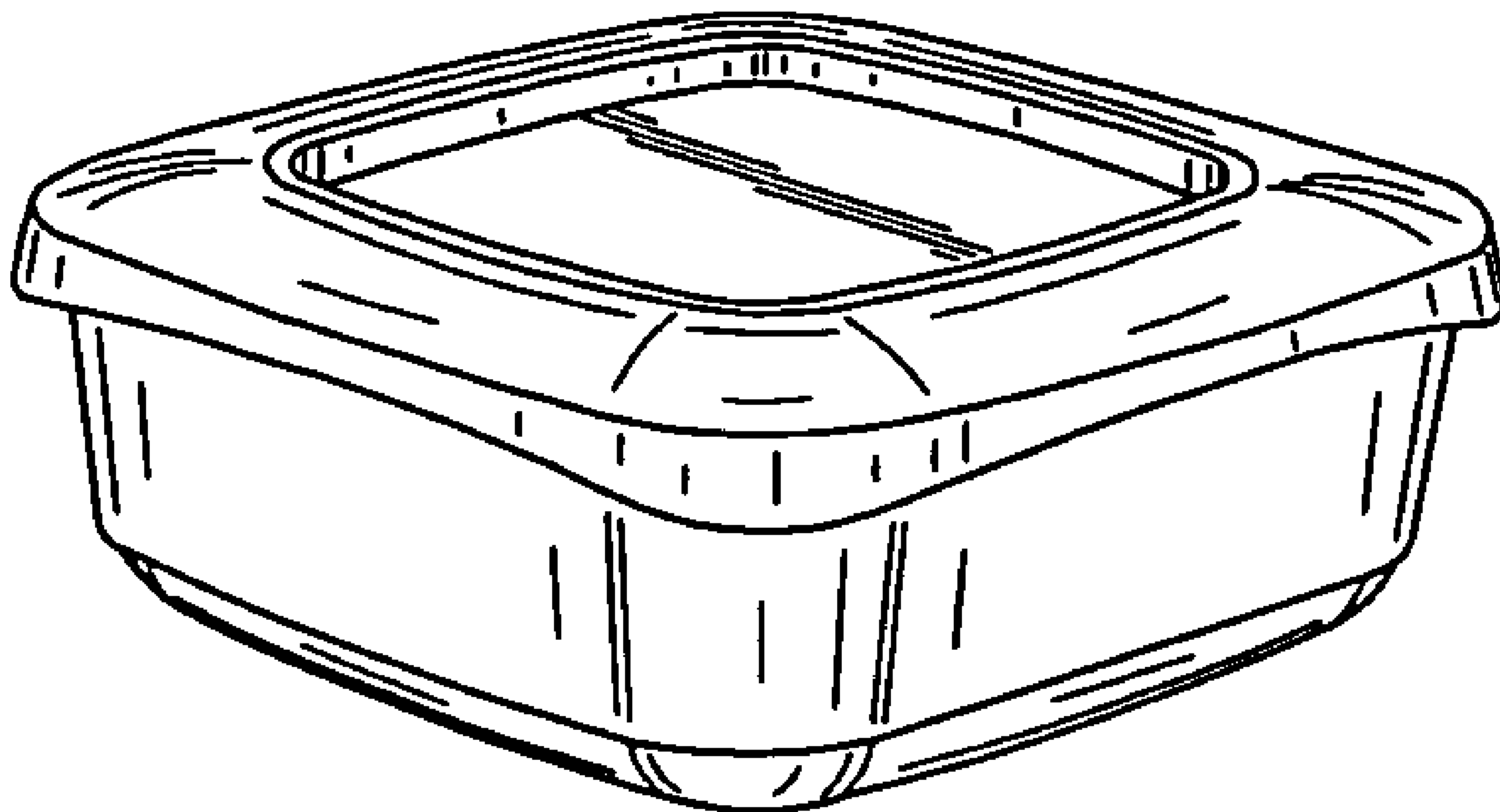


FIG. 1

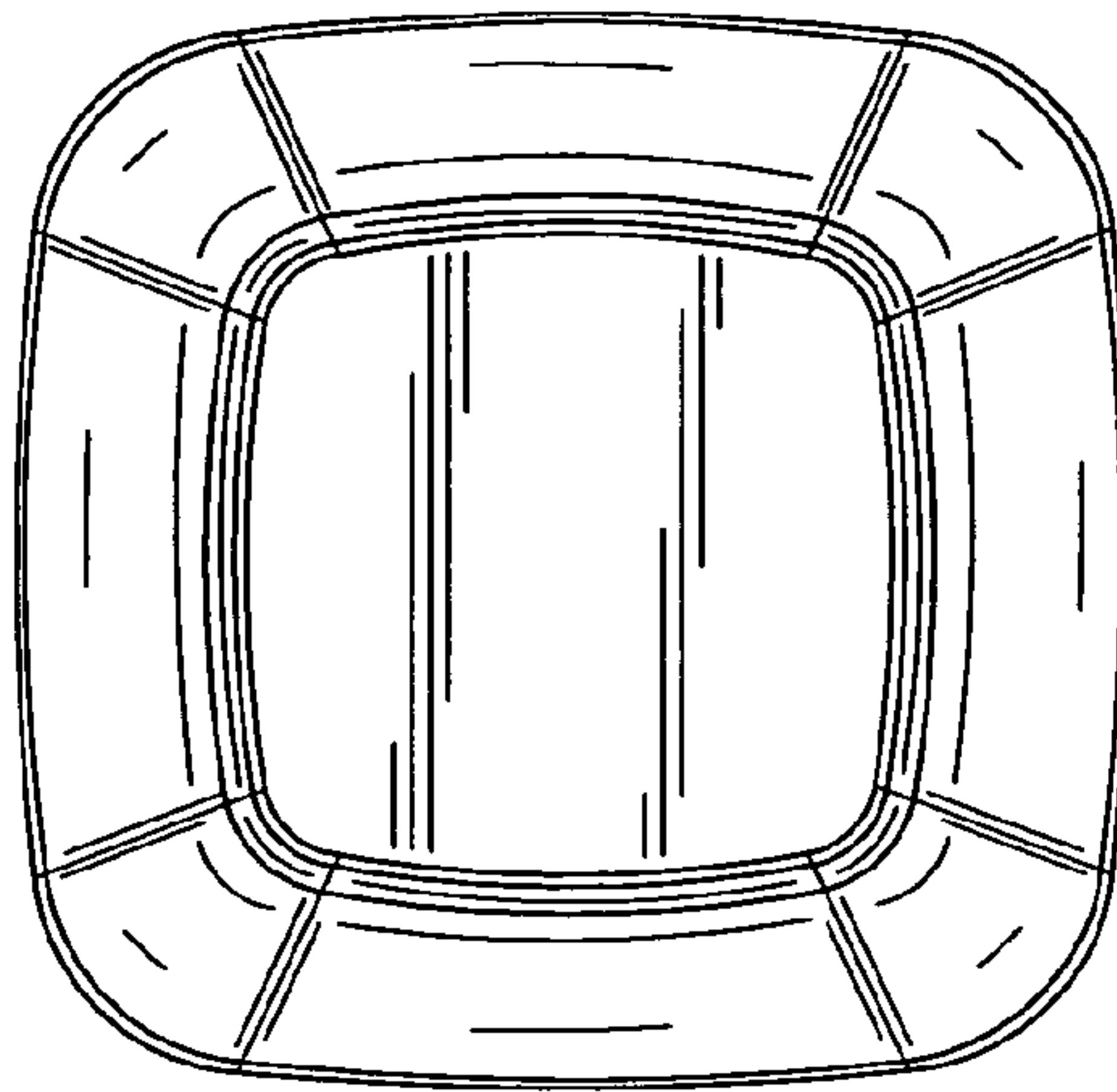


FIG. 2

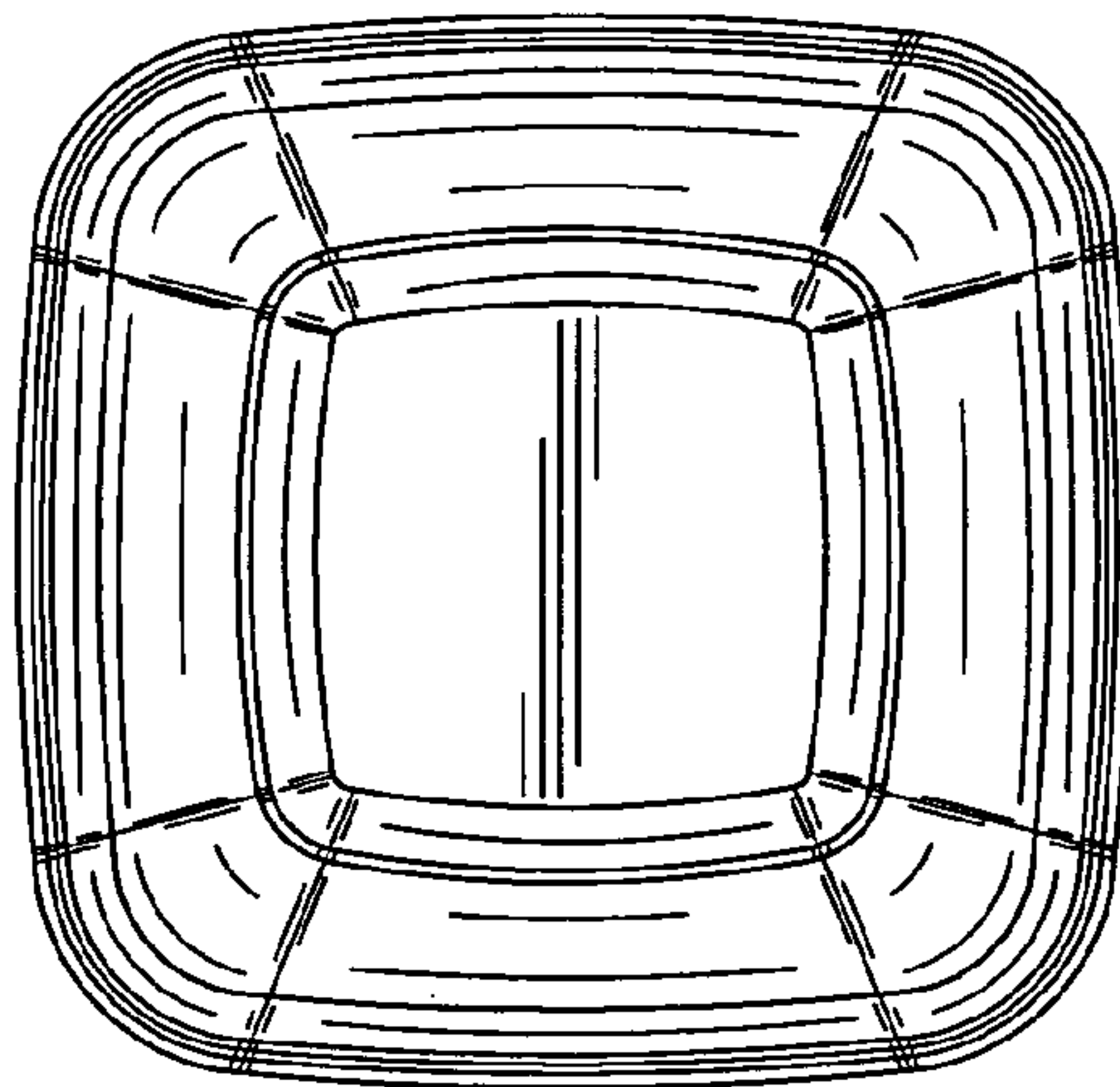


FIG. 3

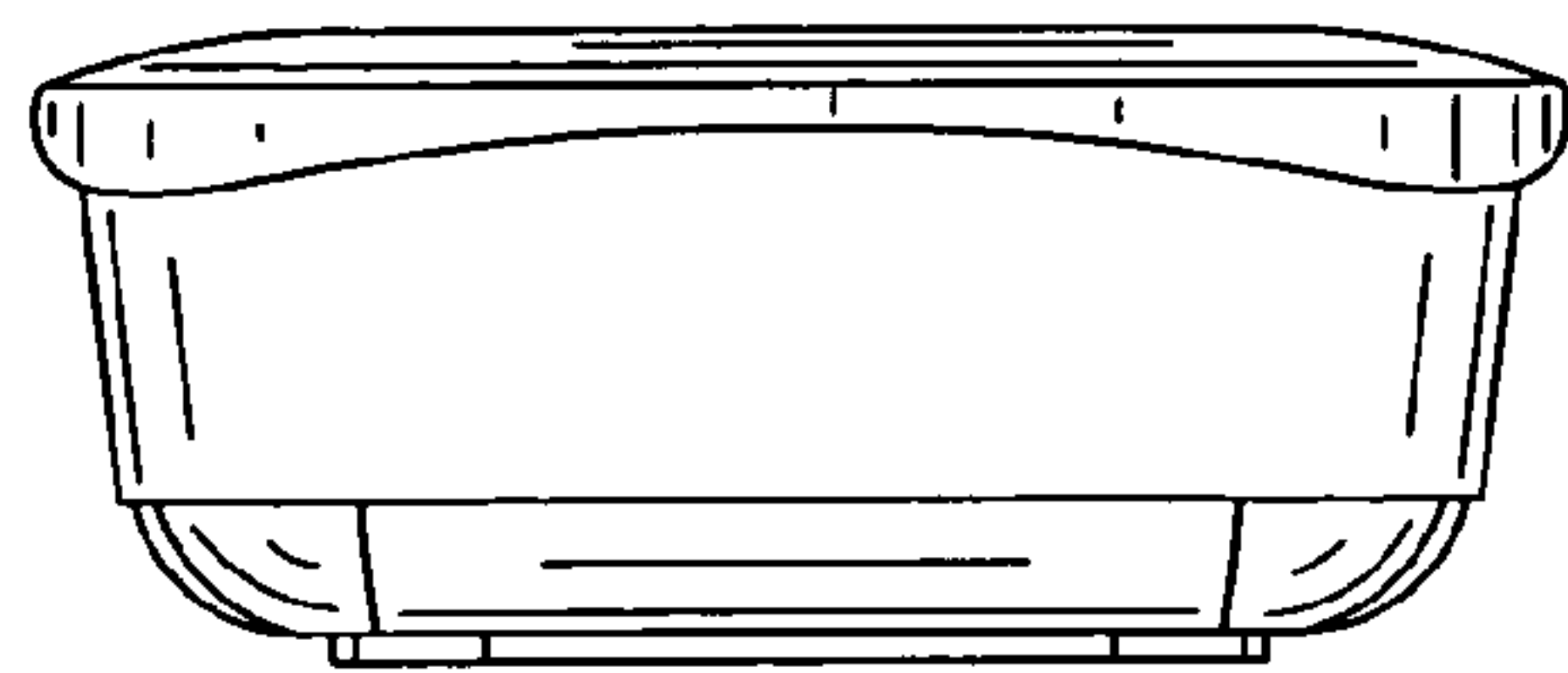


FIG. 4

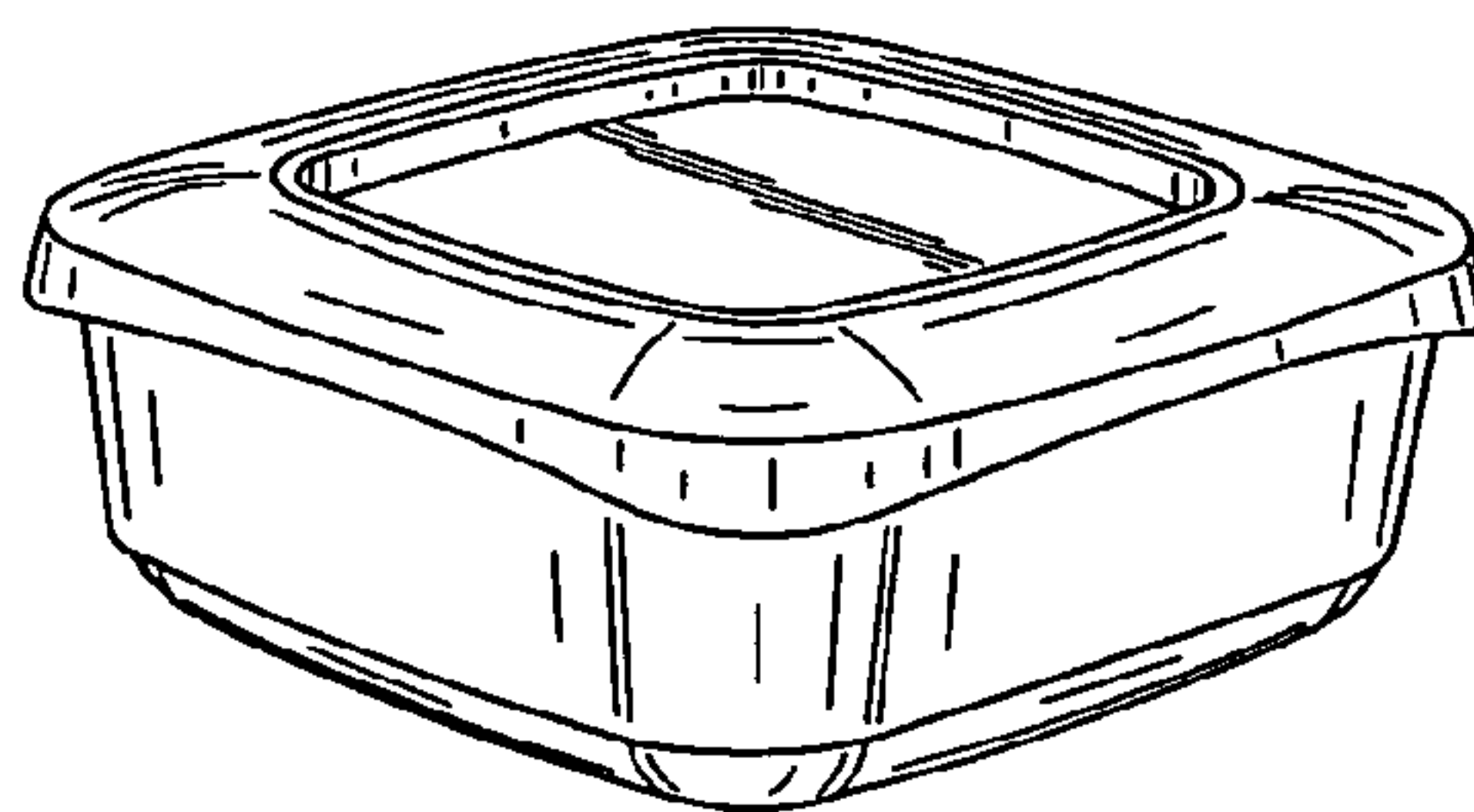


FIG. 5

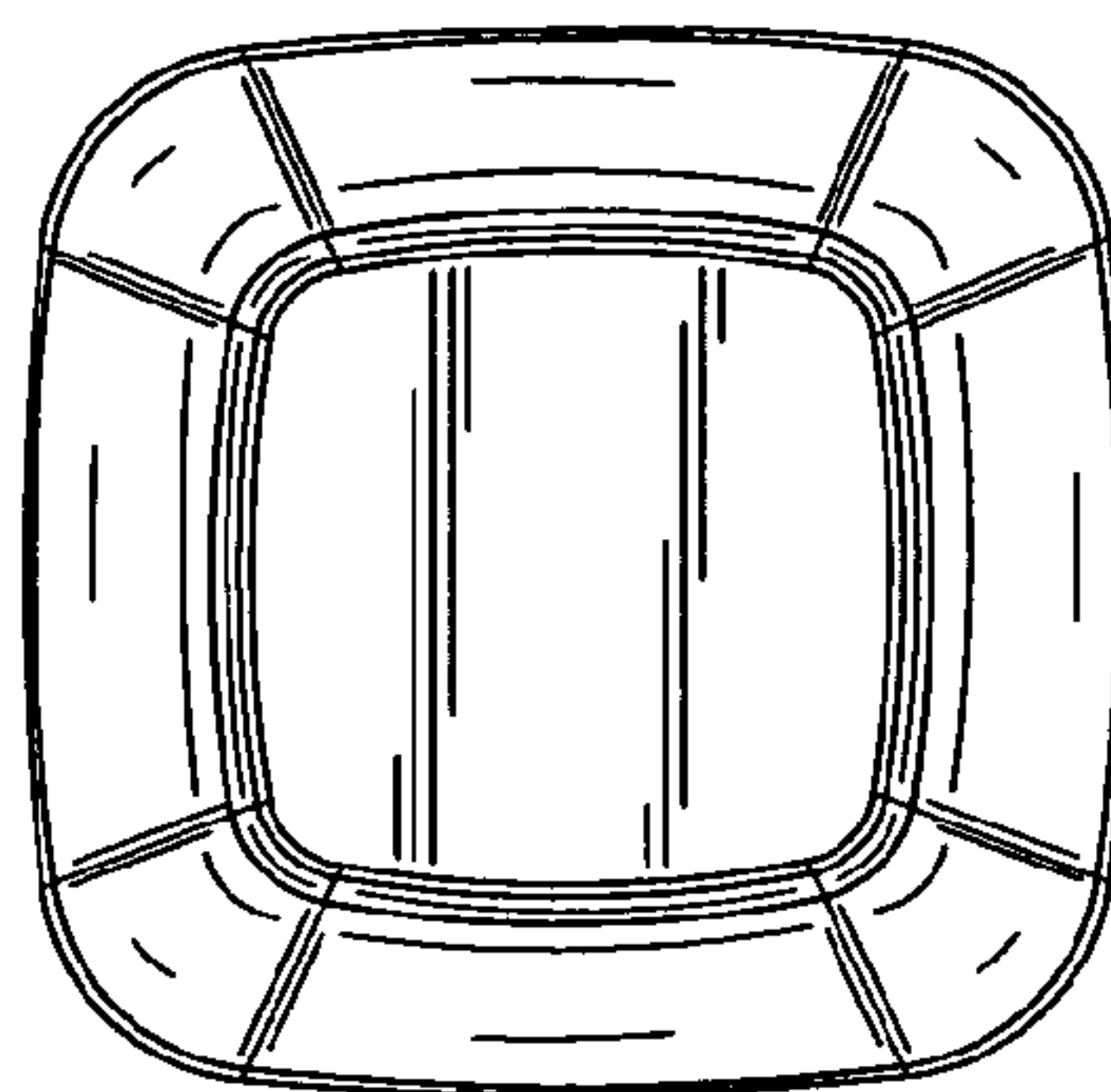


FIG. 6

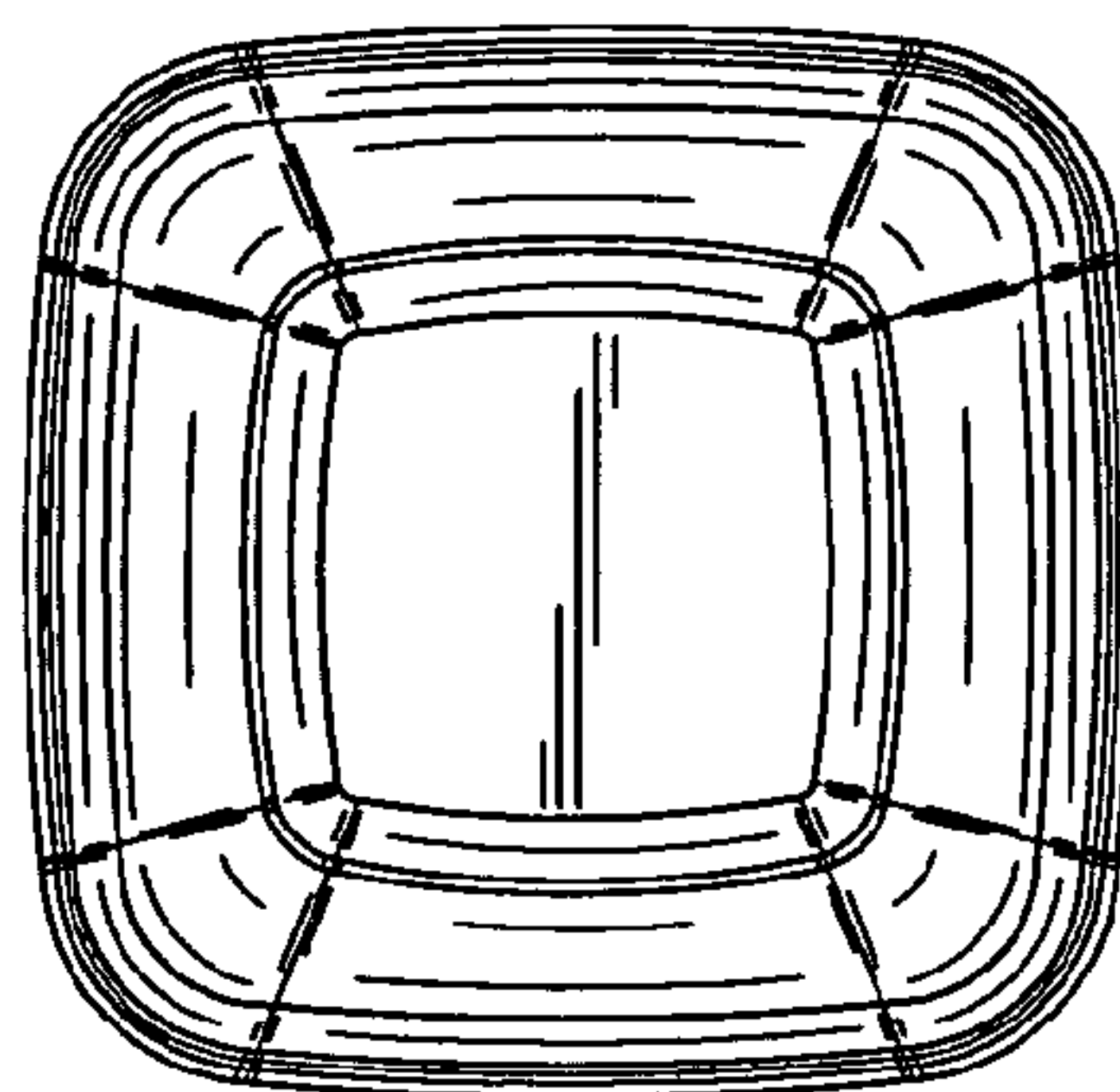


FIG. 7

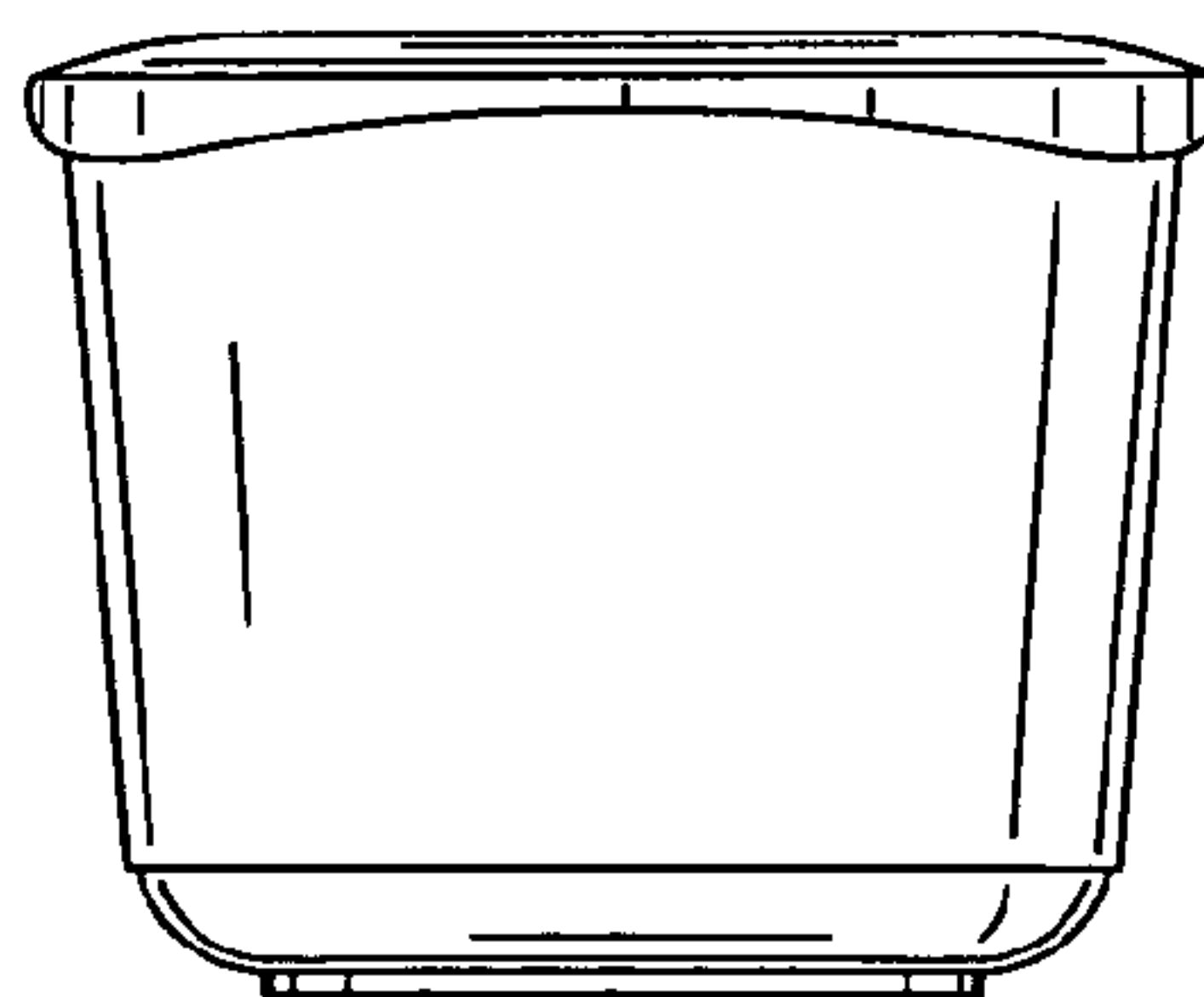


FIG. 8

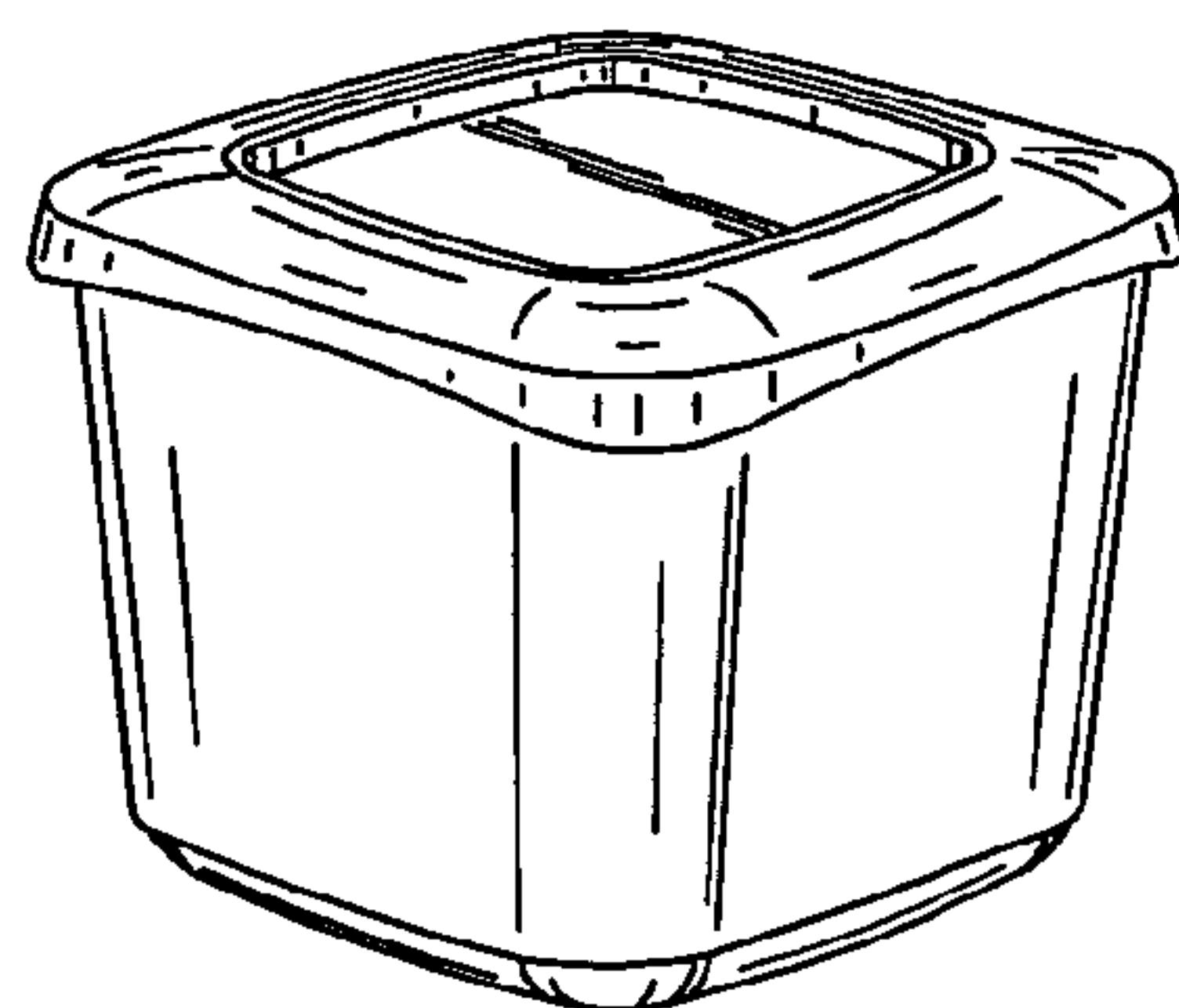


FIG. 9

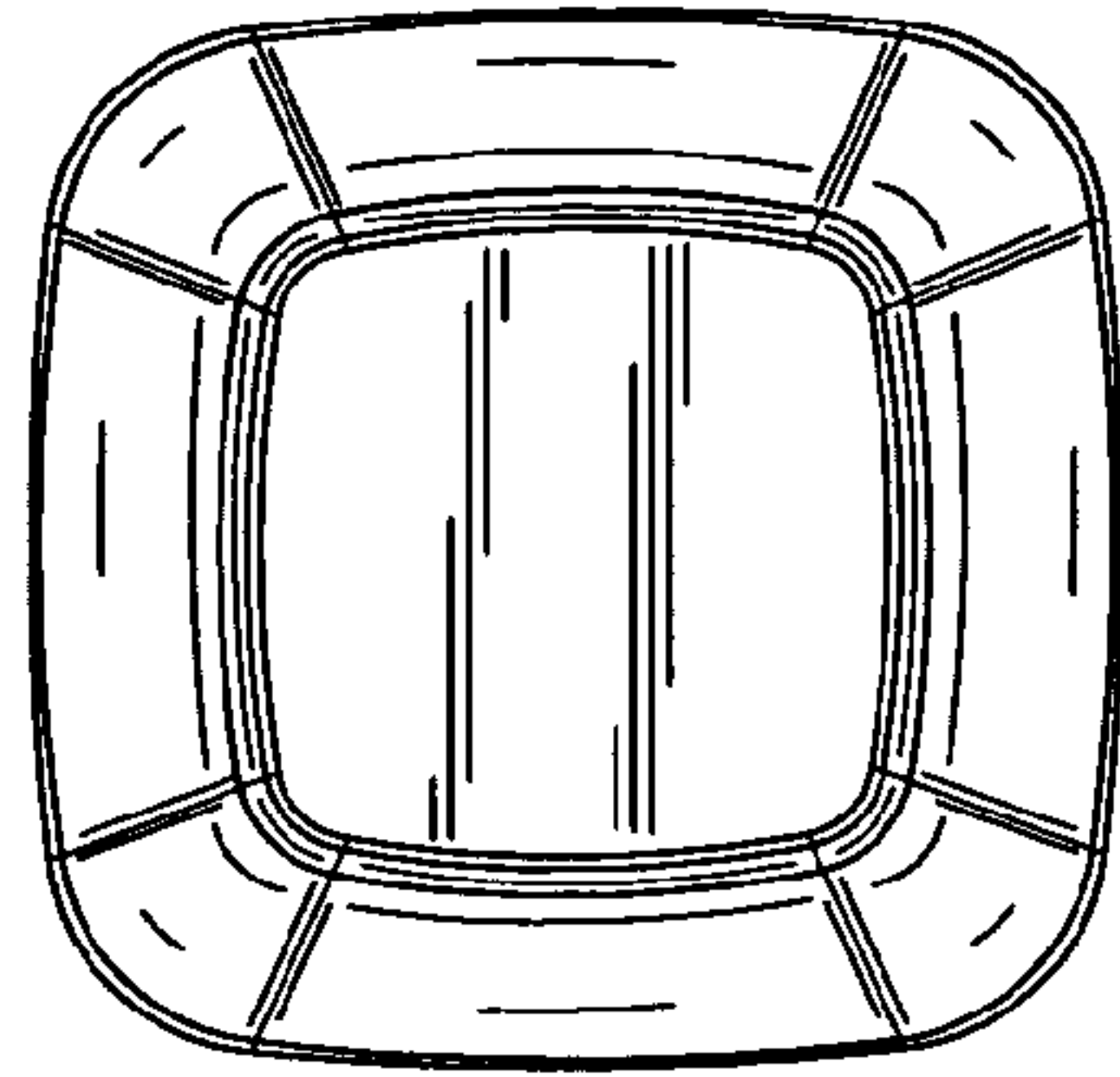


FIG. 10

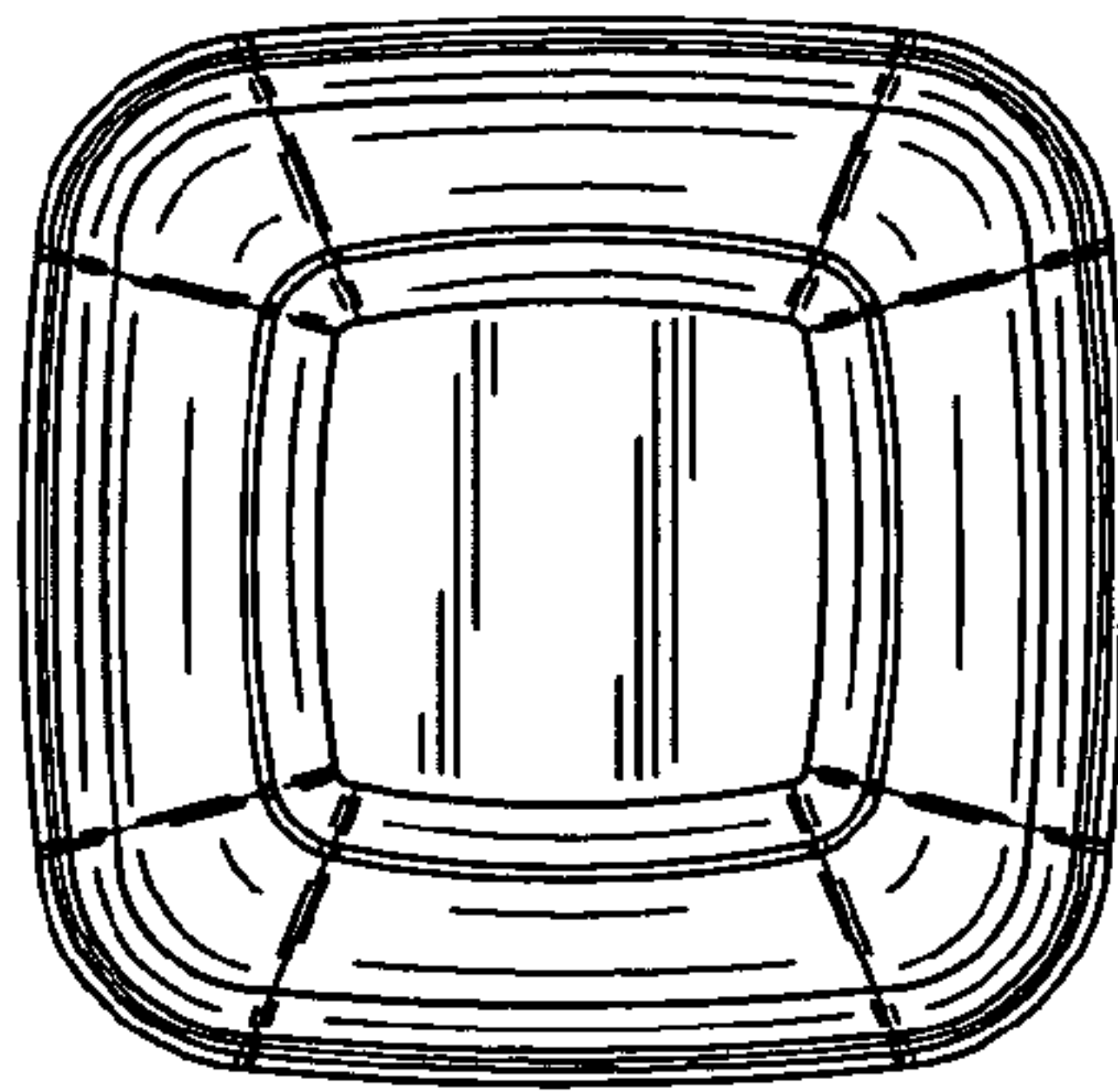


FIG. 11

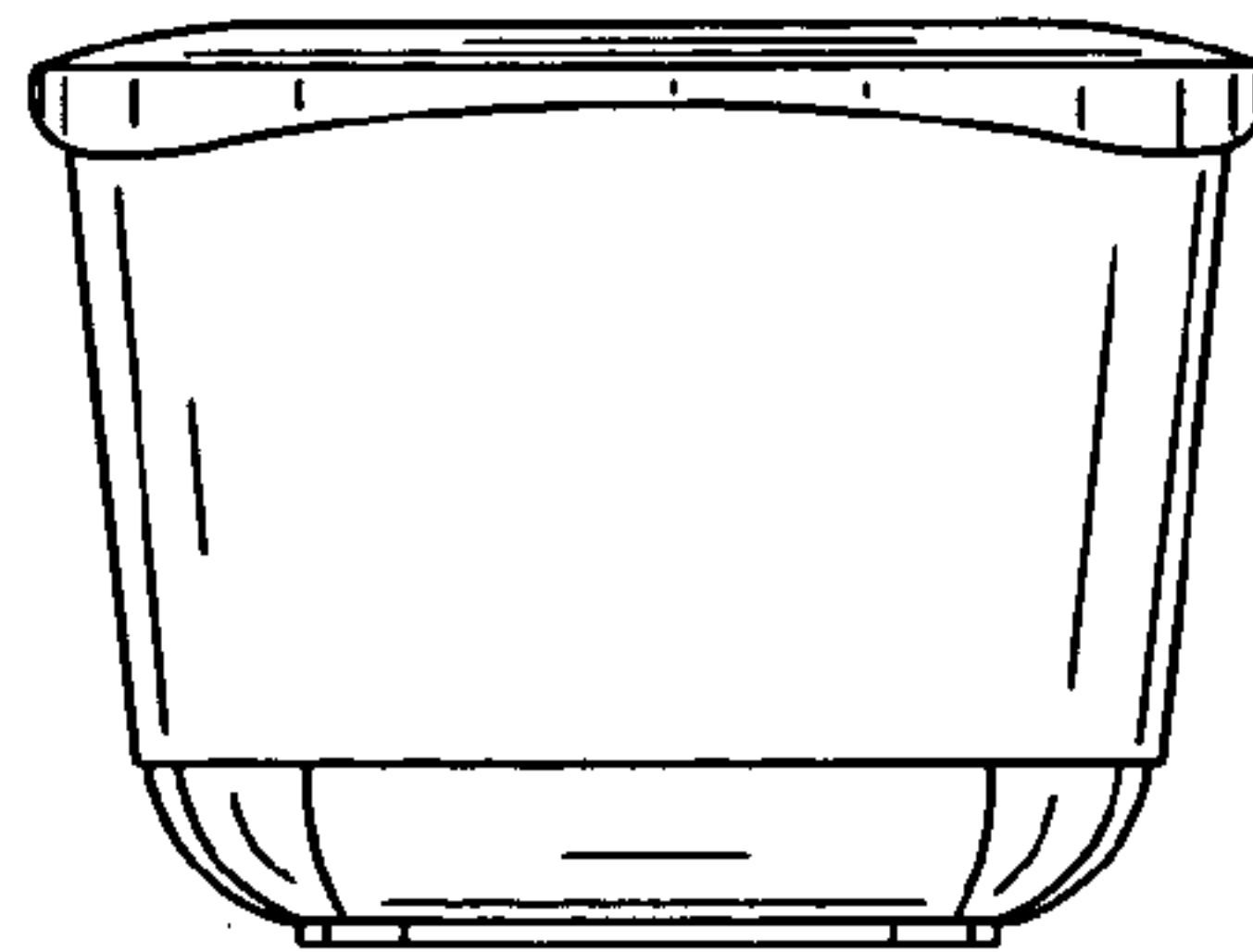


FIG. 12

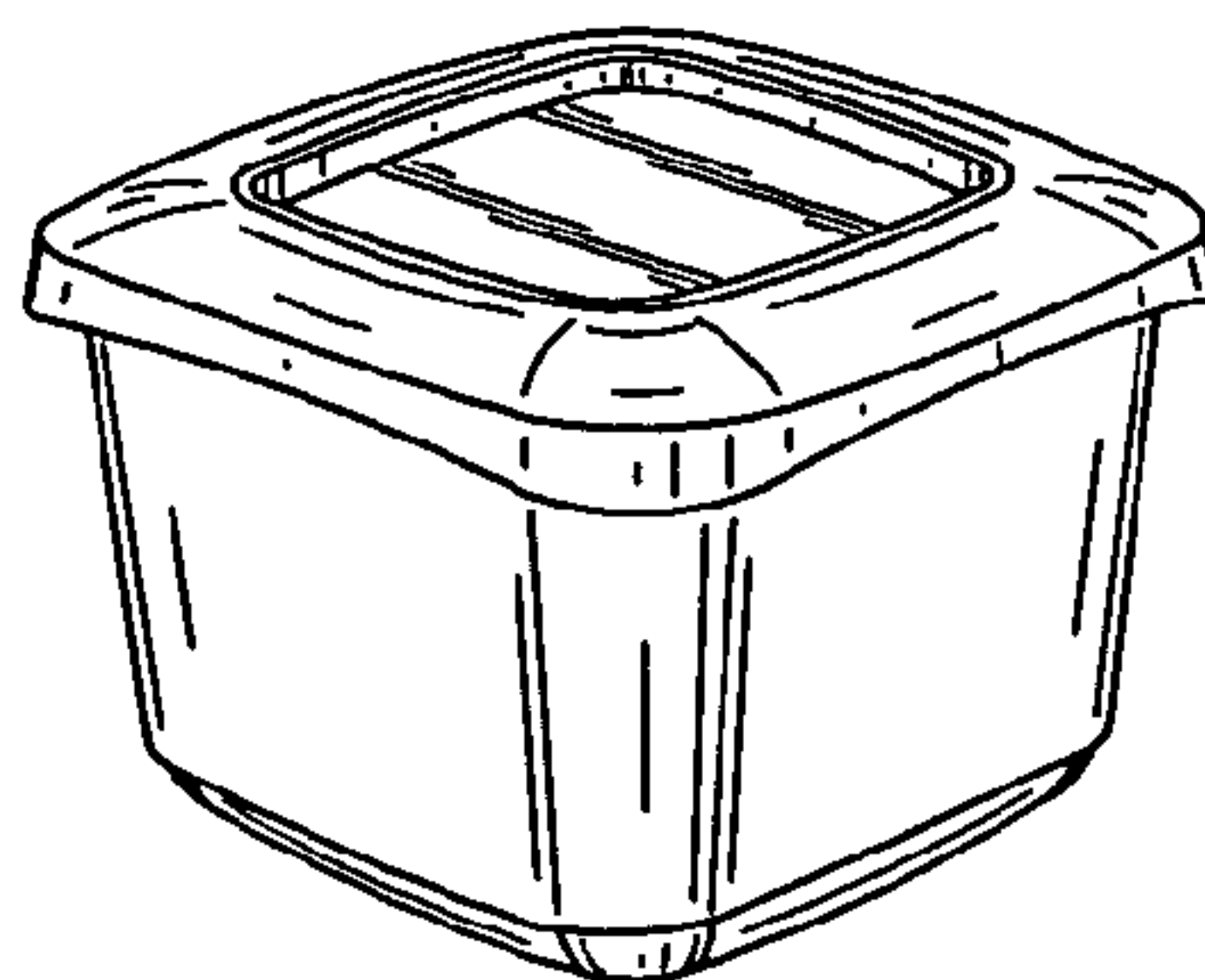


FIG. 13

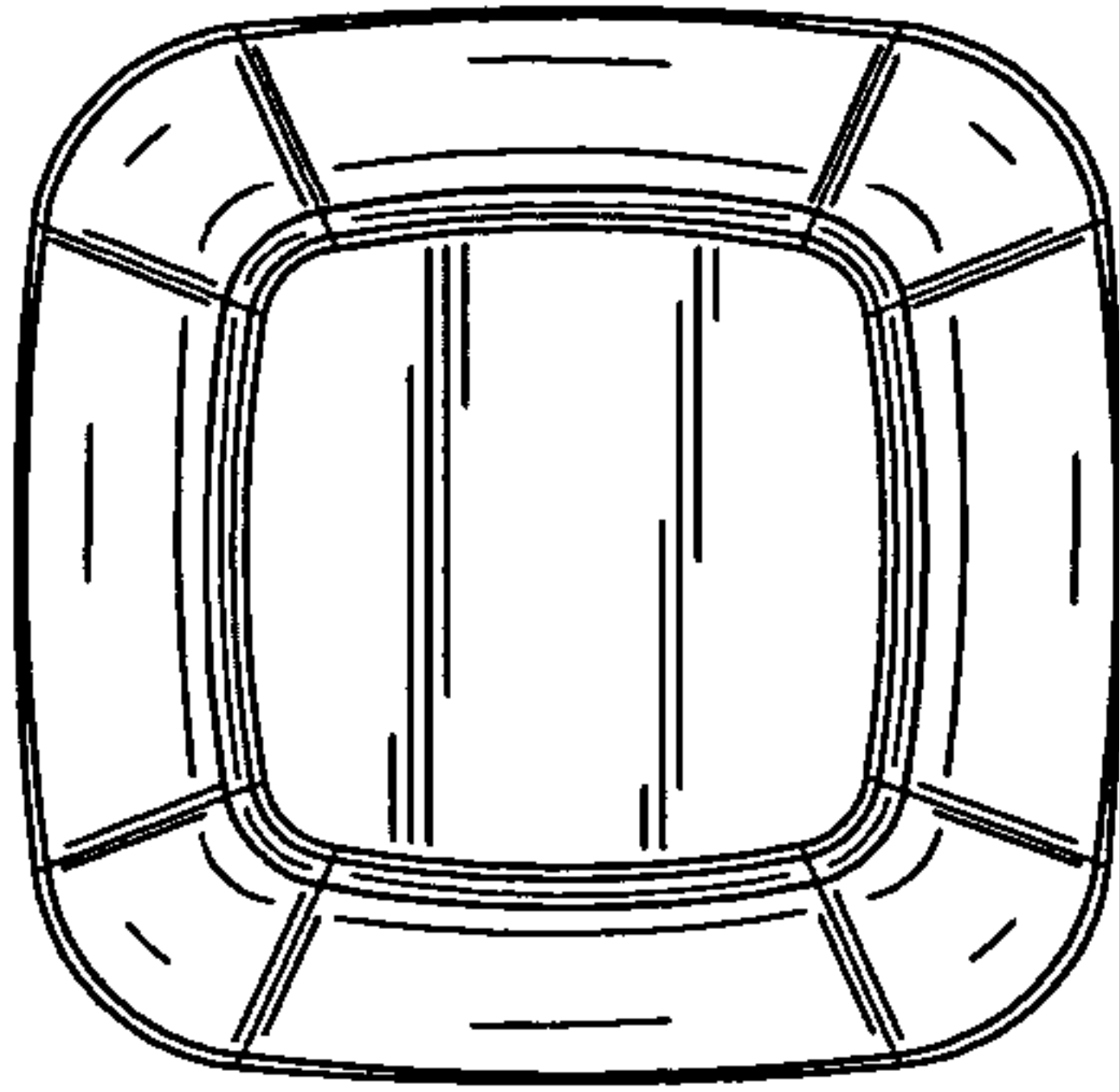


FIG. 14

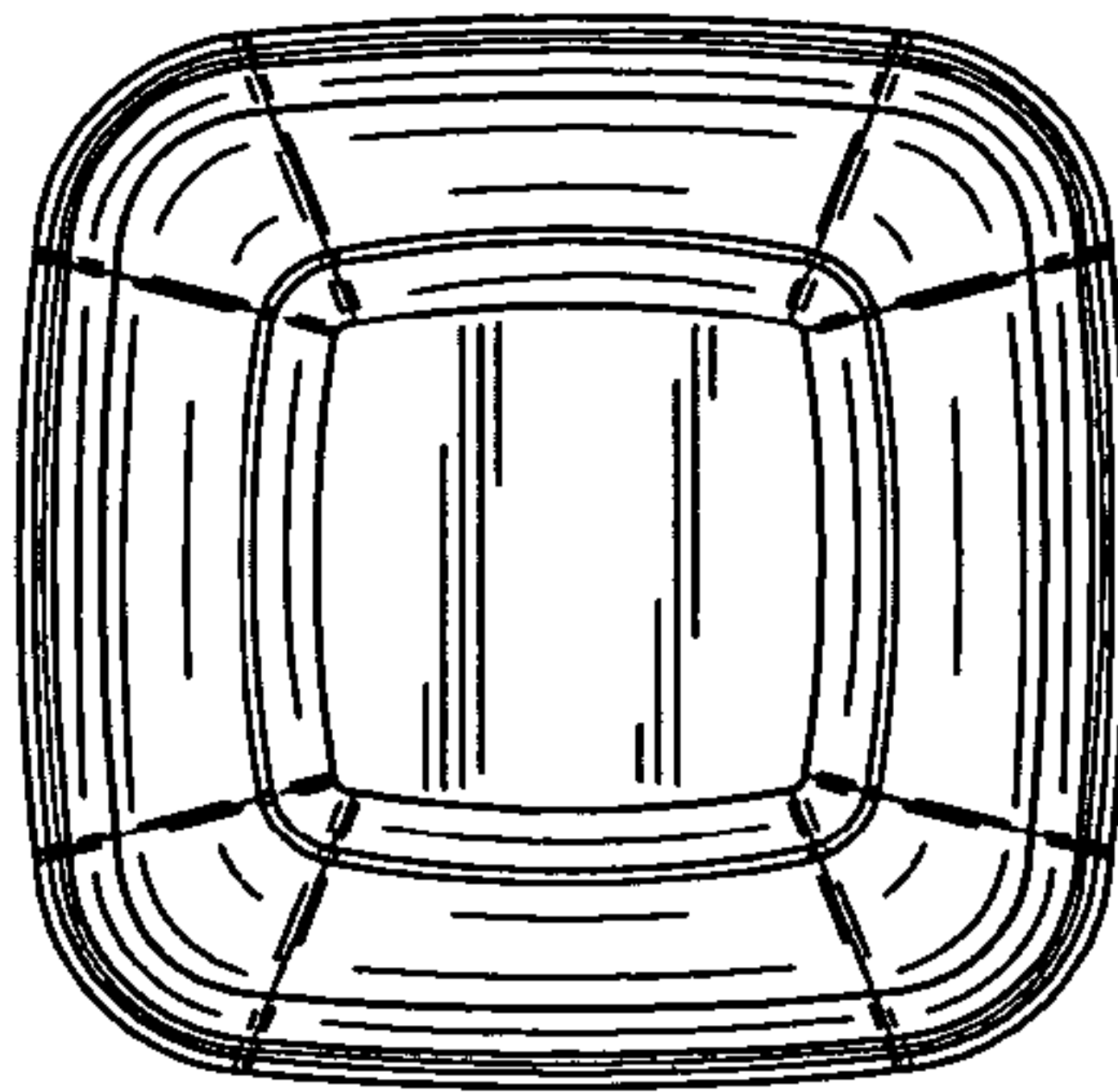


FIG. 15

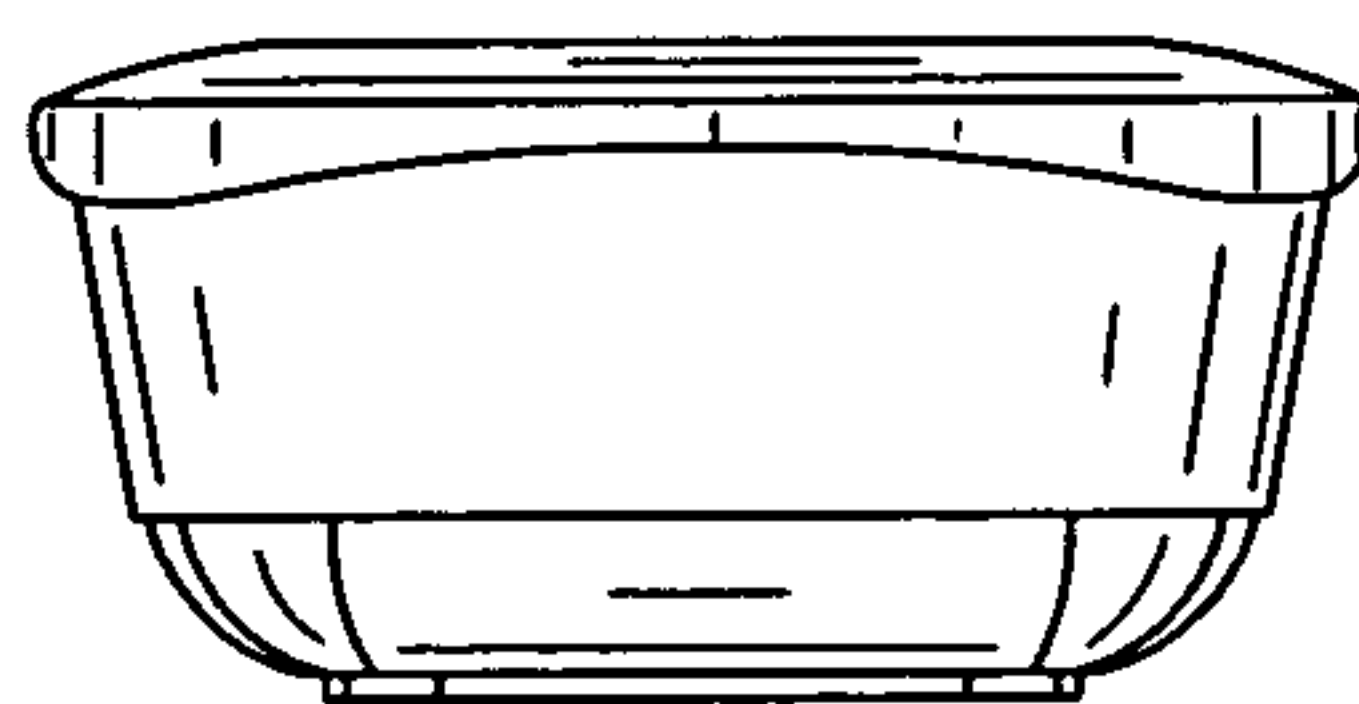


FIG. 16

