



US00D646127S

(12) **United States Design Patent**
Lindsay et al.

(10) **Patent No.:** **US D646,127 S**

(45) **Date of Patent:** **** Oct. 4, 2011**

(54) **UTENSEILED FOOD CONTAINER ASSEMBLY**
(75) Inventors: **Brendan Jon Lindsay**, Auckland (NZ);
James Richard Manley, Auckland (NZ)

(73) Assignee: **Sistema Plastics Limited**, Penrose,
Auckland (NZ)

(**) Term: **14 Years**

(21) Appl. No.: **29/371,197**

(22) Filed: **Nov. 22, 2010**

(30) **Foreign Application Priority Data**

Jun. 25, 2010 (NZ) 413781

(51) **LOC (9) Cl.** **07-07**

(52) **U.S. Cl.** **D7/629**

(58) **Field of Classification Search** D7/601,
D7/602, 629, 538-542, 391-392.1; D9/424-432,
D9/434, 435, 454; 220/574-575, 780-806,
220/236

See application file for complete search history.

(56) **References Cited**

U.S. PATENT DOCUMENTS

4,244,612 A 1/1981 Schurman
4,412,630 A * 11/1983 Daenen 220/792
4,522,312 A 6/1985 Rathgeber et al.
D481,910 S * 11/2003 Kim D7/629
6,789,692 B2 9/2004 Prezelin
6,793,096 B1 * 9/2004 Seok 220/788

D505,839 S * 6/2005 Stanos et al. D7/629
6,955,381 B2 10/2005 Parker et al.
D544,762 S * 6/2007 Zimmerman D7/629
2003/0010783 A1 1/2003 Prezelin
2005/0006390 A1* 1/2005 Wang 220/326
2005/0035125 A1* 2/2005 Bae 220/326

FOREIGN PATENT DOCUMENTS

WO 02/059007 8/2002

* cited by examiner

Primary Examiner — Terry Wallace

(74) *Attorney, Agent, or Firm* — Jacobson Holman PLLC

(57) **CLAIM**

The ornamental design for a utensiled food container assembly, as shown and described.

DESCRIPTION

FIG. 1 is a front perspective view of the food container assembly embodying our design;

FIG. 2 is top plan view of FIG. 1;

FIG. 3 is a bottom plan view of FIG. 1;

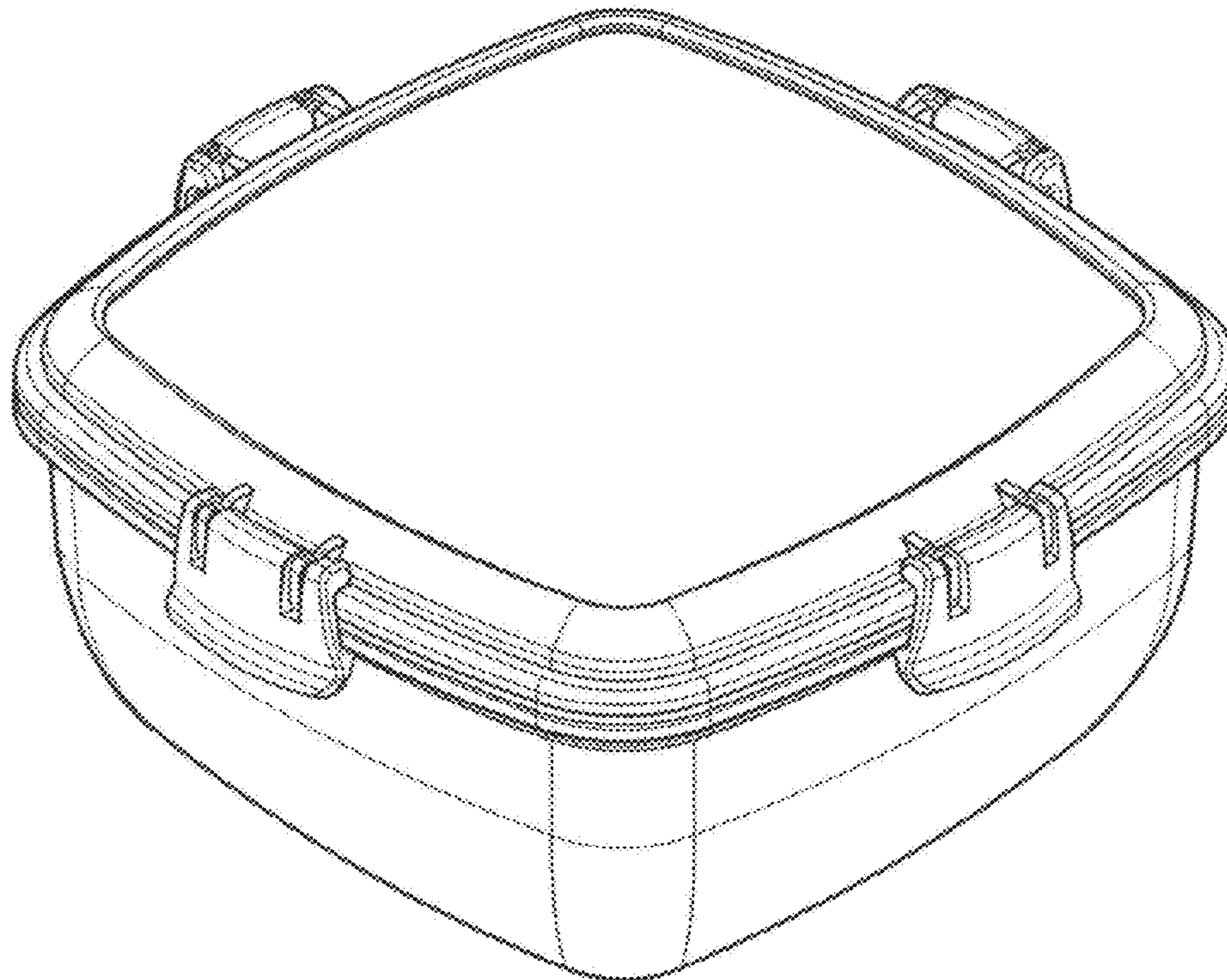
FIG. 4 is a side elevational view, the other three sides being identical;

FIG. 5 is a top perspective exploded view of FIG. 1 showing the component parts of the assembly;

FIG. 6 is a bottom perspective exploded view of FIG. 1 showing the component parts of the assembly including the utensils; and,

FIG. 7 is an exploded side elevational view, in partial cross-section, of FIG. 1.

1 Claim, 5 Drawing Sheets



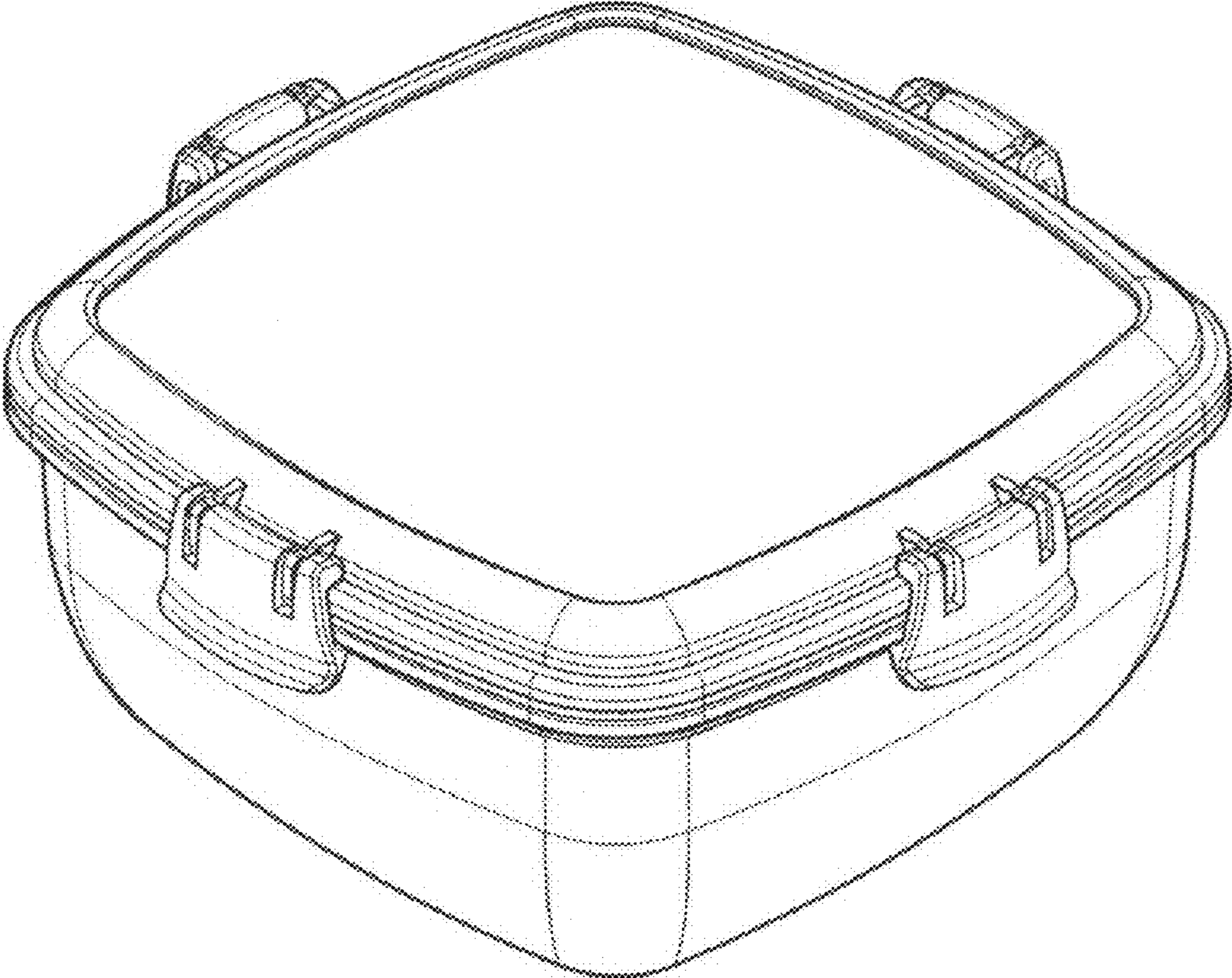


Fig. 1

Fig. 2

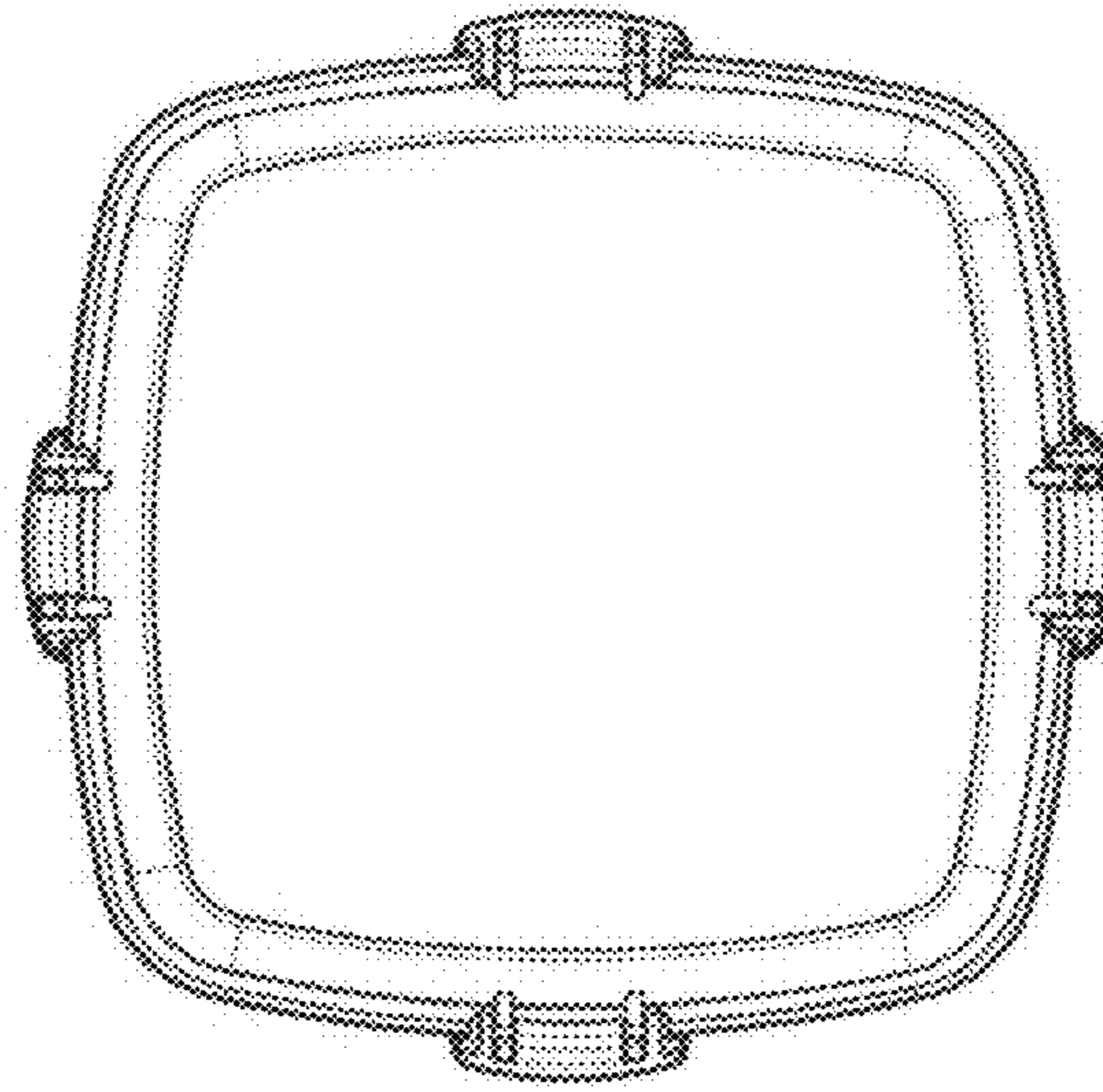


Fig. 3

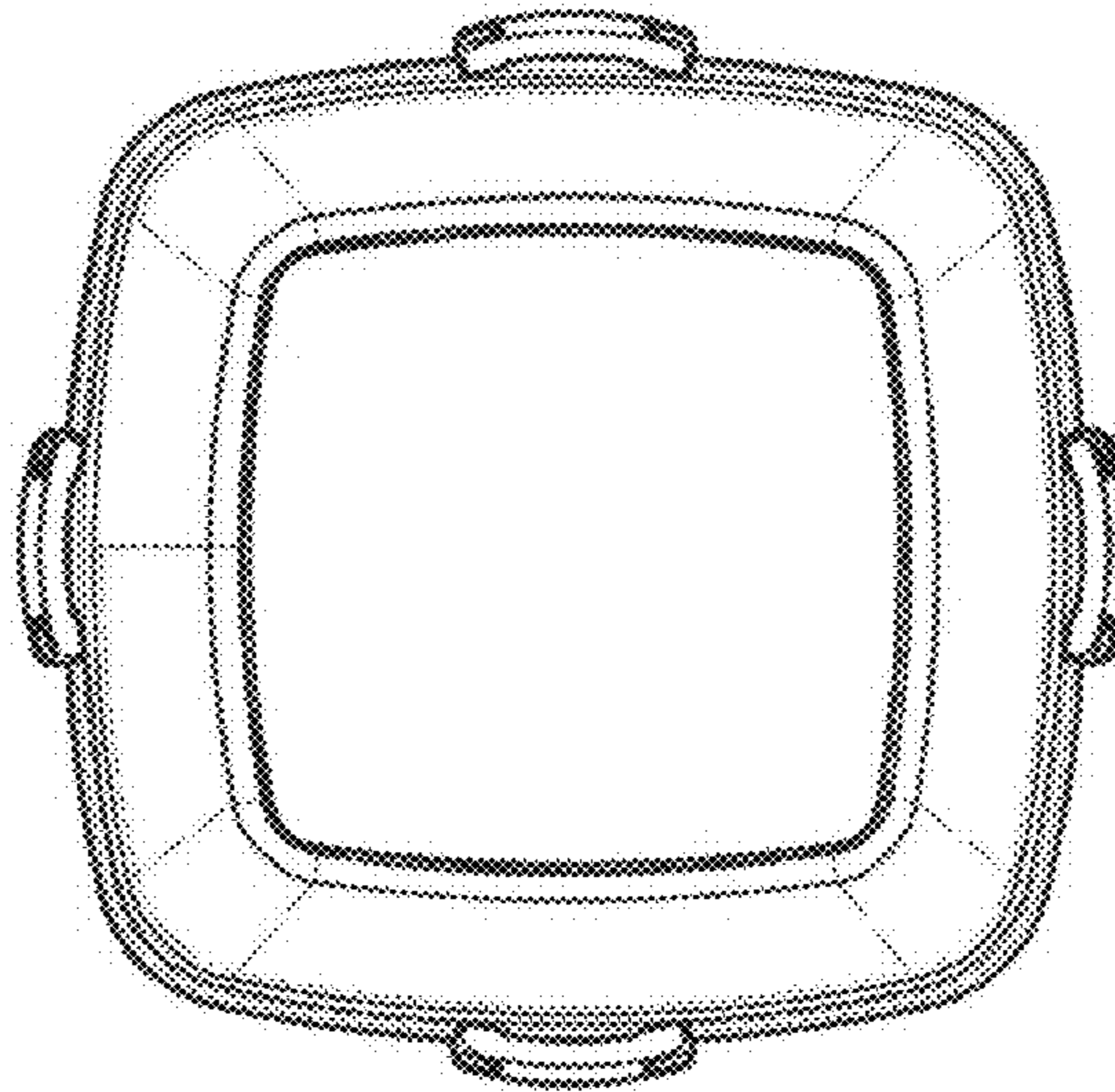
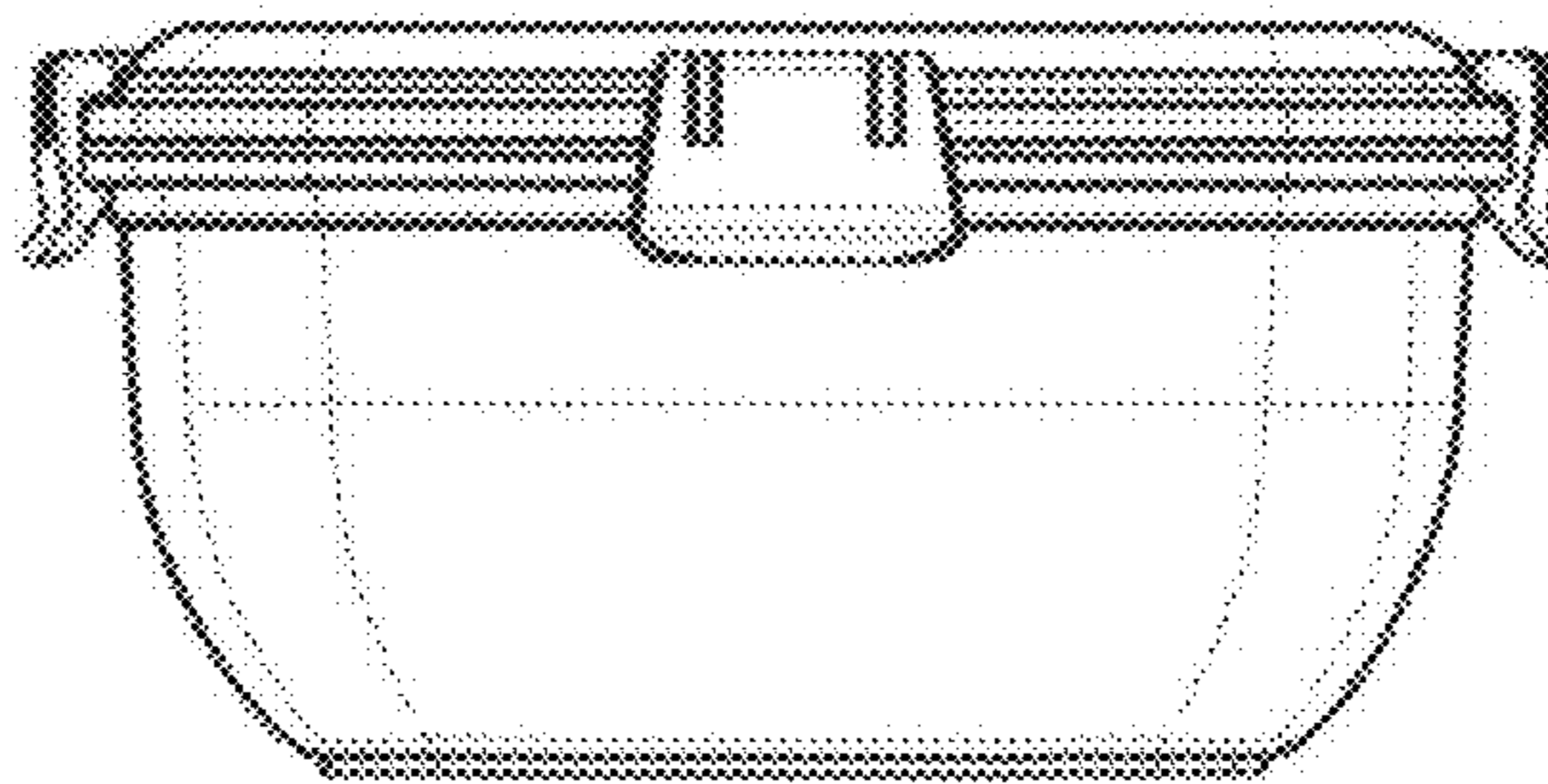


Fig. 4



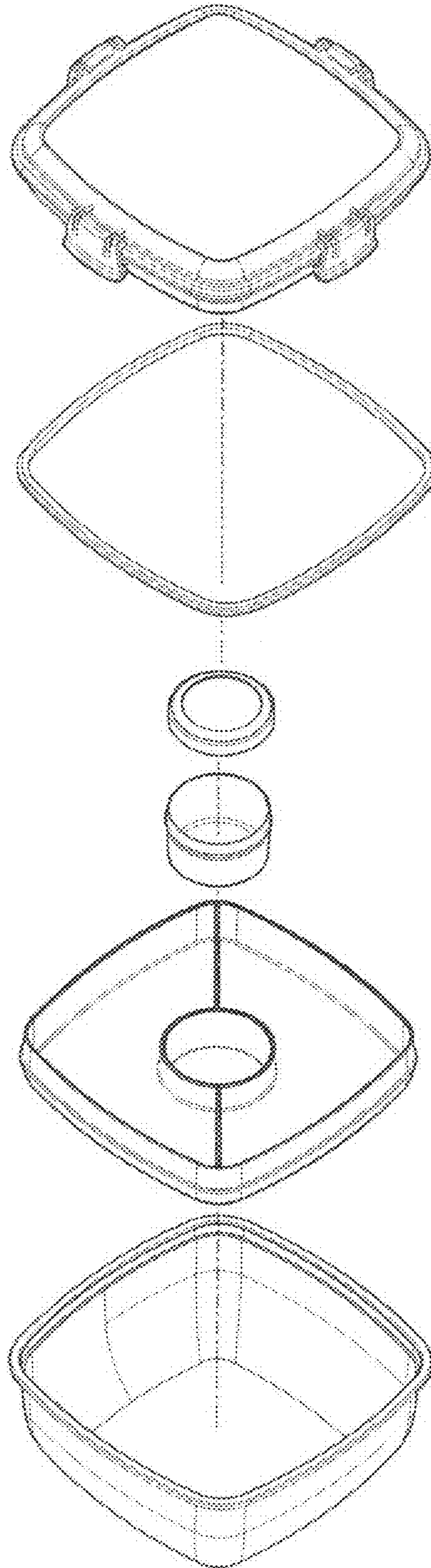


Fig. 5

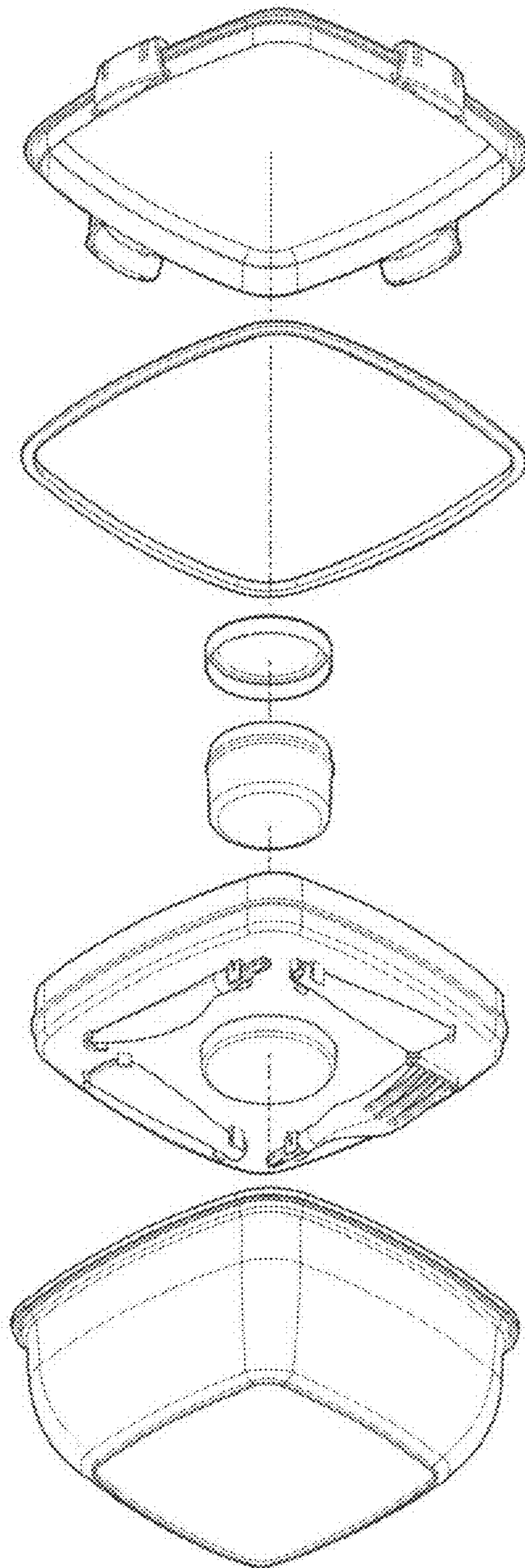


Fig. 6

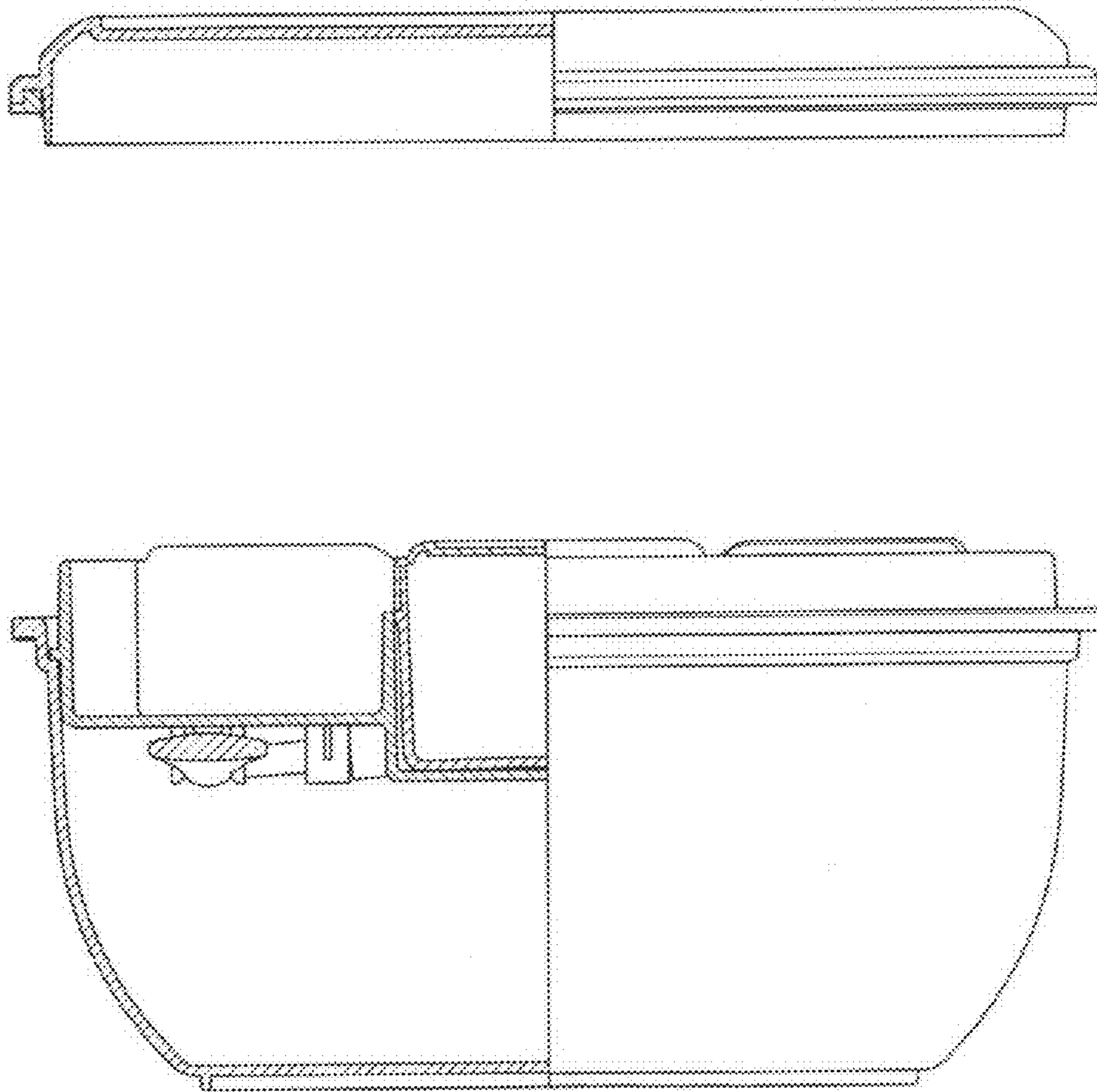


Fig 7