



US00D646121S

(12) **United States Design Patent**
Pickard

(10) **Patent No.:** **US D646,121 S**

(45) **Date of Patent:** **** Oct. 4, 2011**

(54) **PORTABLE BARBECUE COOKER**

(76) Inventor: **Robert T. Pickard**, Durham, NC (US)

(**) Term: **14 Years**

(21) Appl. No.: **29/359,930**

(22) Filed: **Apr. 16, 2010**

(51) **LOC (9) Cl.** **07-02**

(52) **U.S. Cl.** **D7/402; D7/334**

(58) **Field of Classification Search** D7/332-337,
D7/402-404; 126/25 R, 25 A, 25 B, 41 R,
126/39-30, 9 R, 8, 38, 4, 268, 276, 40, 50,
126/506; 99/481-482, 448

See application file for complete search history.

(56) **References Cited**

U.S. PATENT DOCUMENTS

1,300,710	A	4/1919	Edwards	
2,949,208	A	8/1960	Widigen	
D206,738	S *	1/1967	Wilkinson	D7/334
3,452,736	A	7/1969	Harff et al.	
3,938,494	A	2/1976	Clark	
4,108,055	A	8/1978	Simmons	
D251,230	S *	3/1979	Adams	D7/334
D253,695	S *	12/1979	Simmons	D7/334
D255,863	S *	7/1980	Futch	D7/334
D265,374	S *	7/1982	Hamilton, Jr.	D7/334
4,350,140	A	9/1982	Hamilton, Jr.	
4,442,762	A	4/1984	Beller	
4,535,749	A	8/1985	Schlosser et al.	
4,677,964	A	7/1987	Lohmeyer et al.	
4,836,179	A	6/1989	Schlosser et al.	
4,848,316	A	7/1989	Beller	
4,899,725	A	2/1990	Barron, Jr.	
5,031,602	A *	7/1991	Vick	126/25 R
D325,490	S *	4/1992	Dodgen	D7/334
5,186,159	A	2/1993	Crow, Jr. et al.	
D334,687	S *	4/1993	Gongwer	D7/334
5,255,664	A	10/1993	Gurliacci	
5,265,566	A	11/1993	Arnold et al.	
5,284,671	A	2/1994	Stewart	

5,404,795	A *	4/1995	Coble	99/339
5,421,318	A	6/1995	Unruh et al.	
5,501,210	A	3/1996	Van Hoogmoed	
D368,618	S *	4/1996	Van Hoogmoed	D7/334
5,566,606	A	10/1996	Johnston	
5,603,256	A	2/1997	Charlson et al.	
5,628,242	A	5/1997	Higley	
5,813,394	A	9/1998	Clifford	
5,875,773	A	3/1999	Jansen	
5,988,158	A *	11/1999	Schmidt, Jr.	126/276
6,059,562	A	5/2000	Anderson, II	
D430,772	S *	9/2000	Ganard	D7/334
6,119,679	A	9/2000	Galvin	
6,260,478	B1	7/2001	Harneit	

(Continued)

OTHER PUBLICATIONS

Mobile Grills Inc.; Tailgate Part Special; <http://www.mobilegrills.com/tailgateparty.htm>, Feb. 25, 2010.

(Continued)

Primary Examiner — Ruth McInroy

(74) *Attorney, Agent, or Firm* — Olive and Olive, P.A.

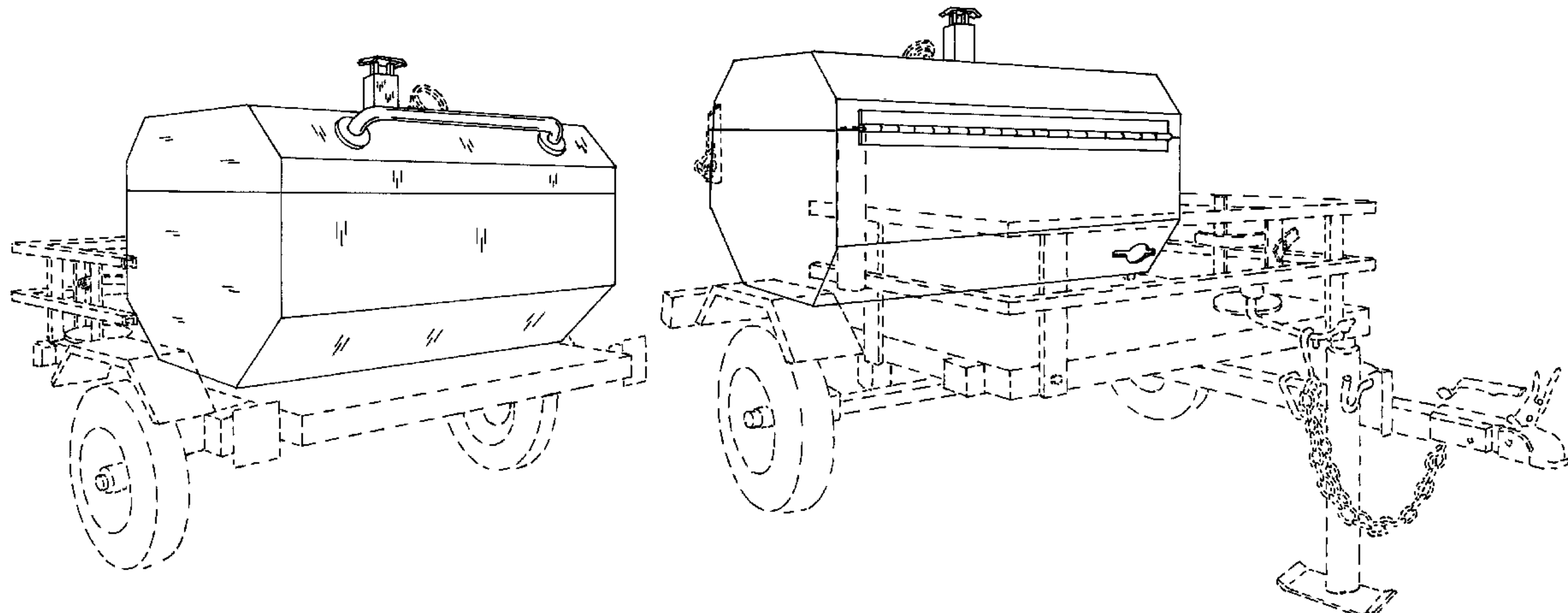
(57) **CLAIM**

The ornamental design for a portable barbecue cooker, as shown and described.

DESCRIPTION

FIG. 1 is a front perspective view of a portable barbecue cooker showing my new design; FIG. 2 is a rear perspective view thereof; FIG. 3 is a front elevation view thereof; FIG. 4 is a rear elevation view thereof; FIG. 5 is a left end elevation view thereof; FIG. 6 is a right end elevation view thereof; and, FIG. 7 is a top plan view thereof. The details shown in broken lines form no part of the claimed design.

1 Claim, 5 Drawing Sheets



US D646,121 S

Page 2

U.S. PATENT DOCUMENTS

6,283,114 B1 9/2001 Giebel et al.
D450,216 S * 11/2001 Wood et al. D7/334
6,439,221 B1 8/2002 Ward et al.
6,499,479 B1 12/2002 McLamb
6,557,547 B1 * 5/2003 MacIntosh 126/41 R
6,606,986 B2 * 8/2003 Holland et al. 126/25 R
D487,209 S * 3/2004 MacIntosh D7/334
6,705,307 B2 3/2004 Alden et al.
6,733,276 B1 5/2004 Kopping
6,736,050 B1 5/2004 Monn
6,769,907 B2 8/2004 Doud
6,877,505 B1 * 4/2005 Den Hoed 126/276
6,925,998 B2 8/2005 Bruno et al.
7,089,926 B2 8/2006 Woller
D535,137 S * 1/2007 Mashburn D7/332
7,241,466 B2 7/2007 Dellinger
2004/0040553 A1 * 3/2004 McKoski 126/276

2005/0133017 A1 6/2005 Scialdone et al.
2006/0112949 A1 6/2006 Ducate, Sr. et al.
2006/0124120 A1 6/2006 Gross
2006/0144253 A1 7/2006 Czajka et al.
2007/0028912 A1 2/2007 Gagas et al.
2008/0011285 A1 1/2008 Milligan et al.
2008/0083401 A1 4/2008 Cusack
2010/0258107 A1 * 10/2010 Davidson et al. 126/276

OTHER PUBLICATIONS

Southern Steamers, LLC; The Alumigrill II; Trailer-mounted Gas Barbecue Grill, BBQ Trailers, Portable Smoker; <http://www.southernsteamers.com/alumigrill-ii-trailer-grill.htm>, Feb. 25, 2010.
New BBQ Rotisserie Smoker Grill On Trailer; <http://cgi.ebay.com/New-BBQ-Rotisserie-Smoker-Grill-On-Trailer>
W0QQitemZ2502778, Feb. 25, 2010.

* cited by examiner

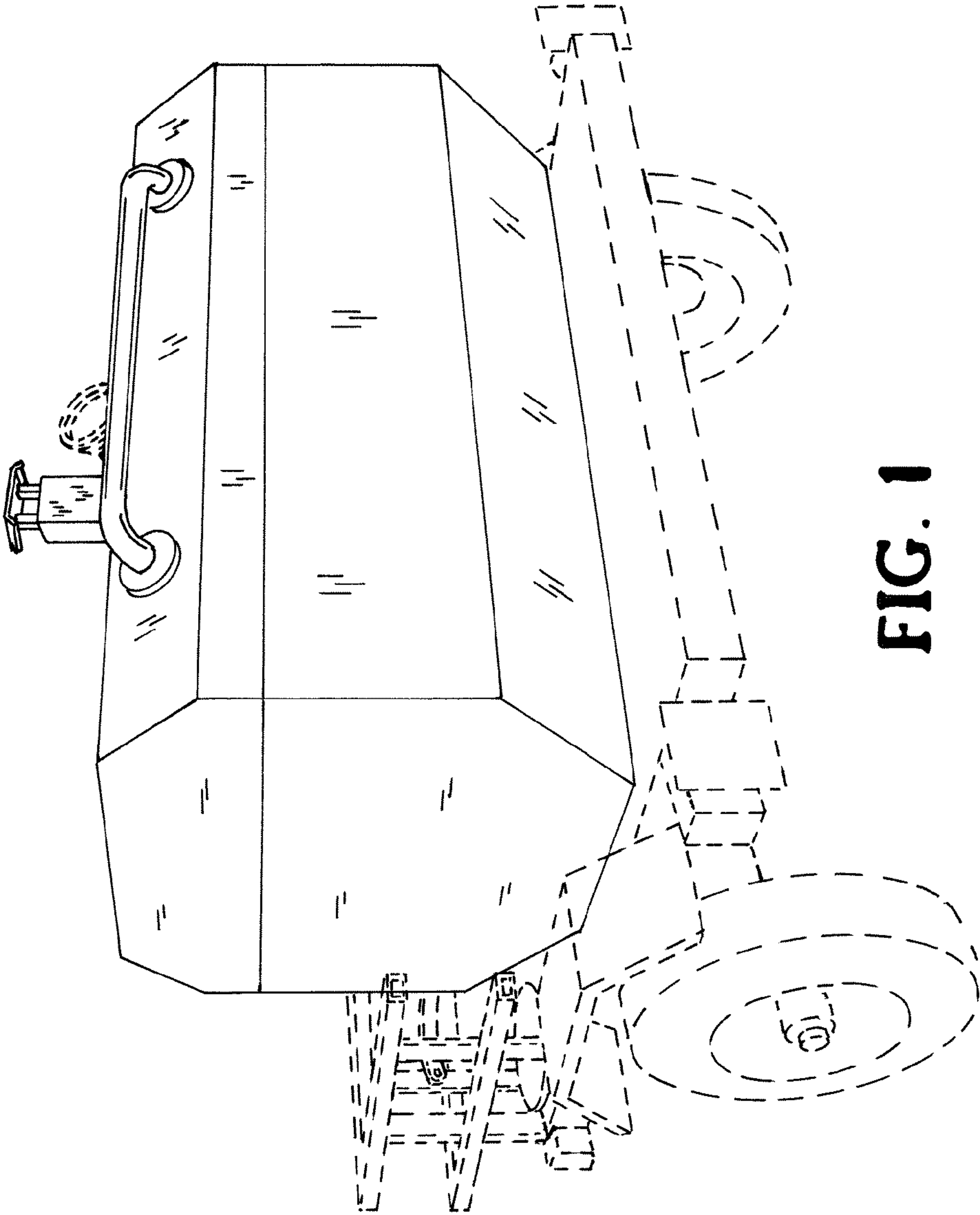


FIG. 1

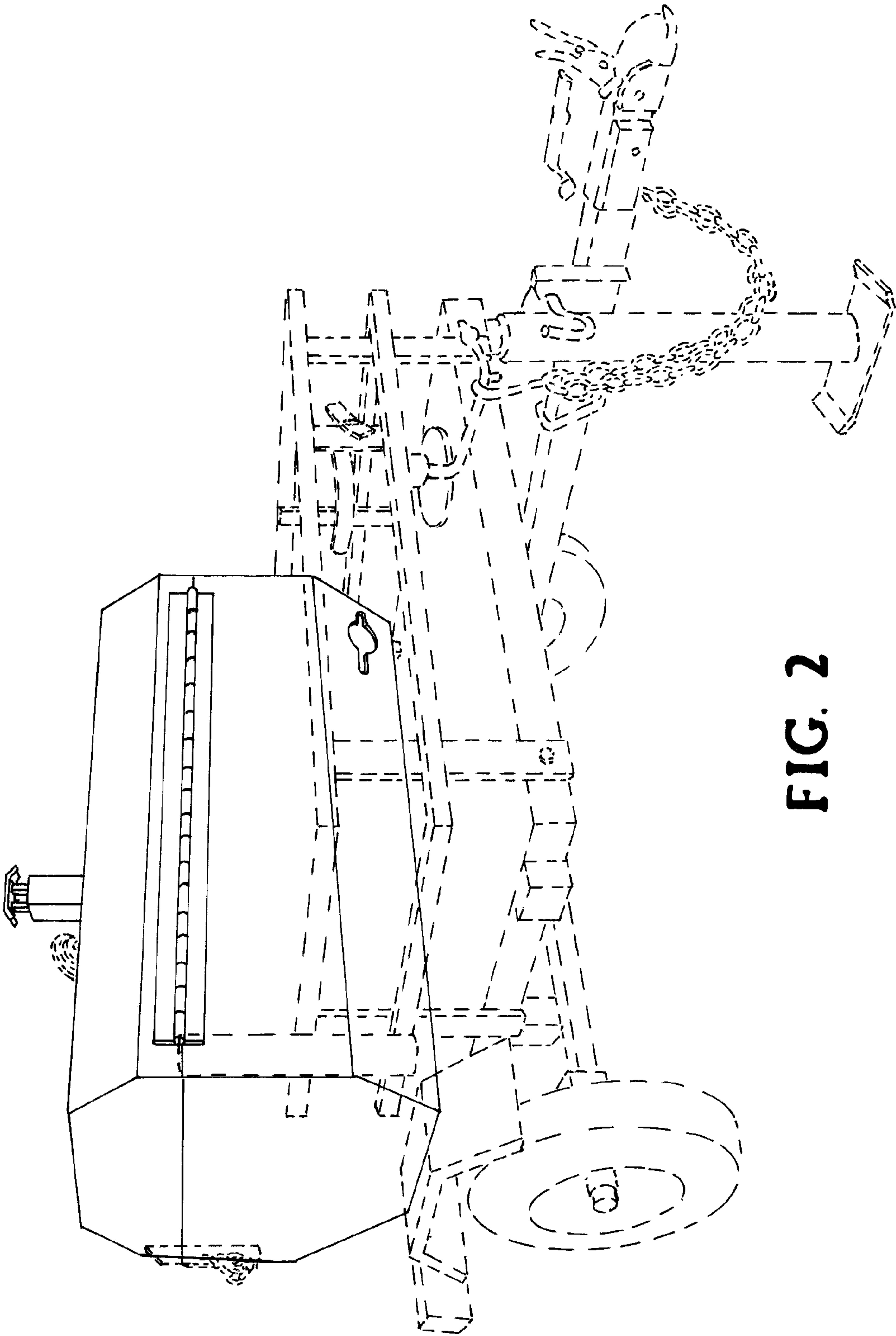


FIG. 2

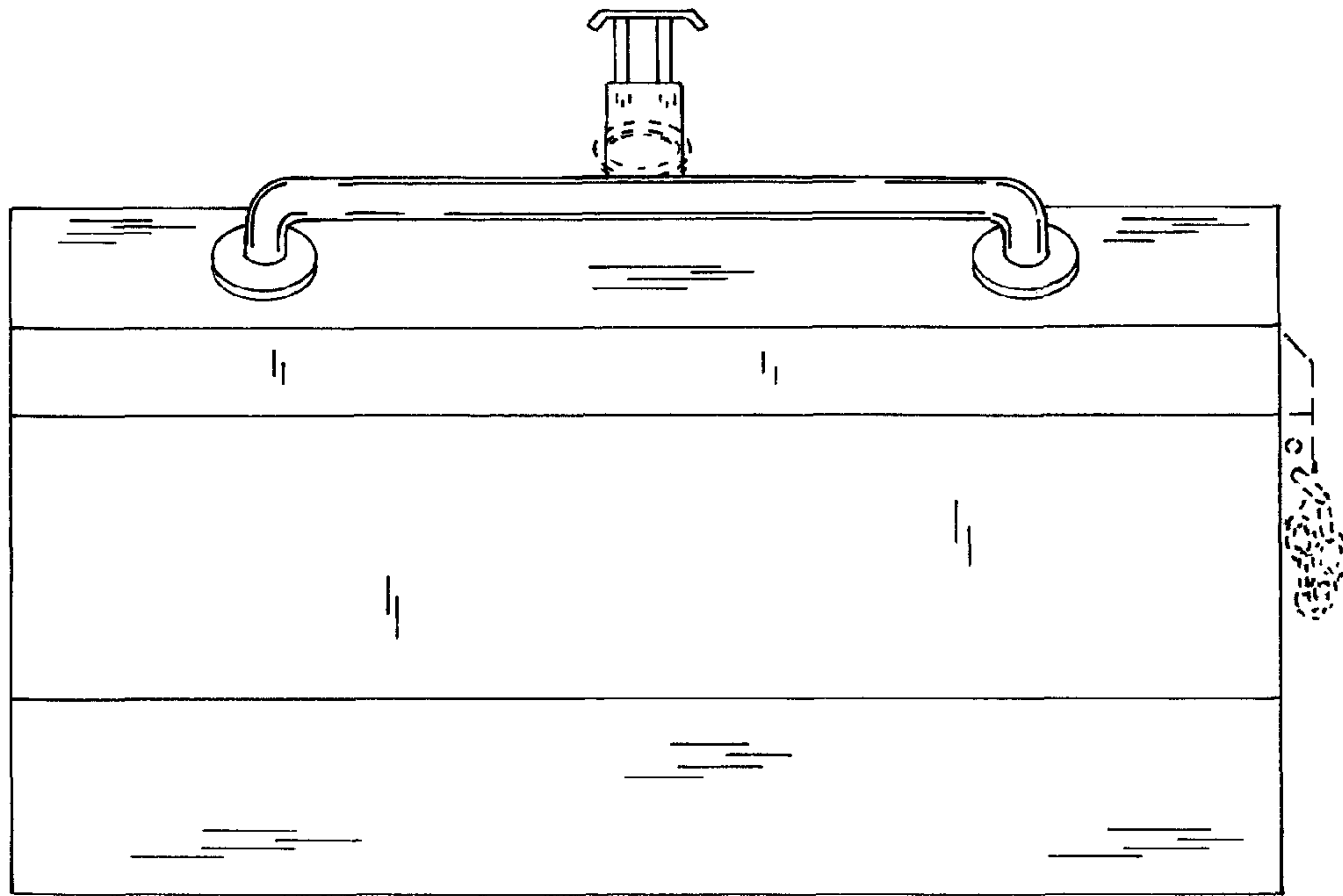


FIG. 3

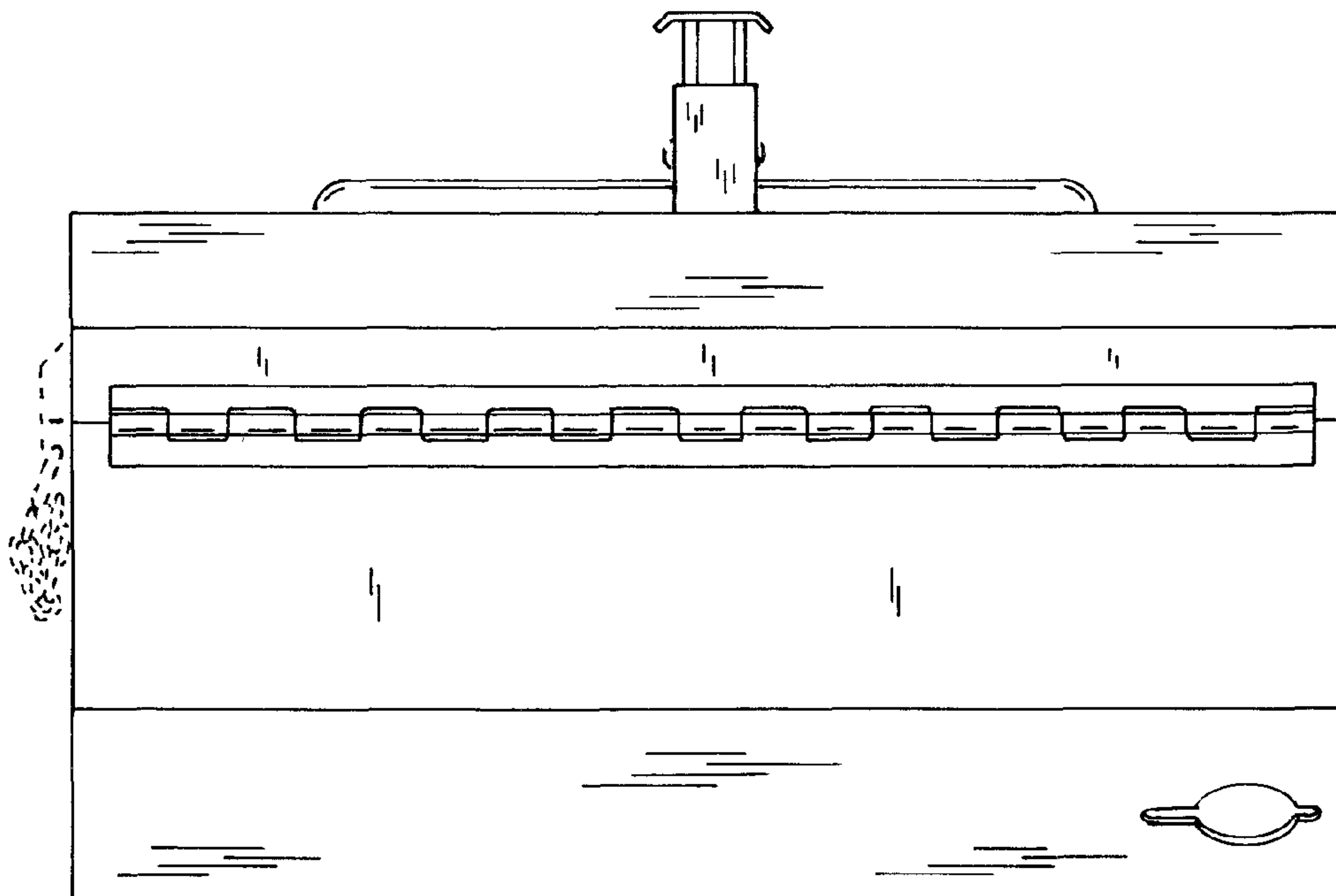


FIG. 4

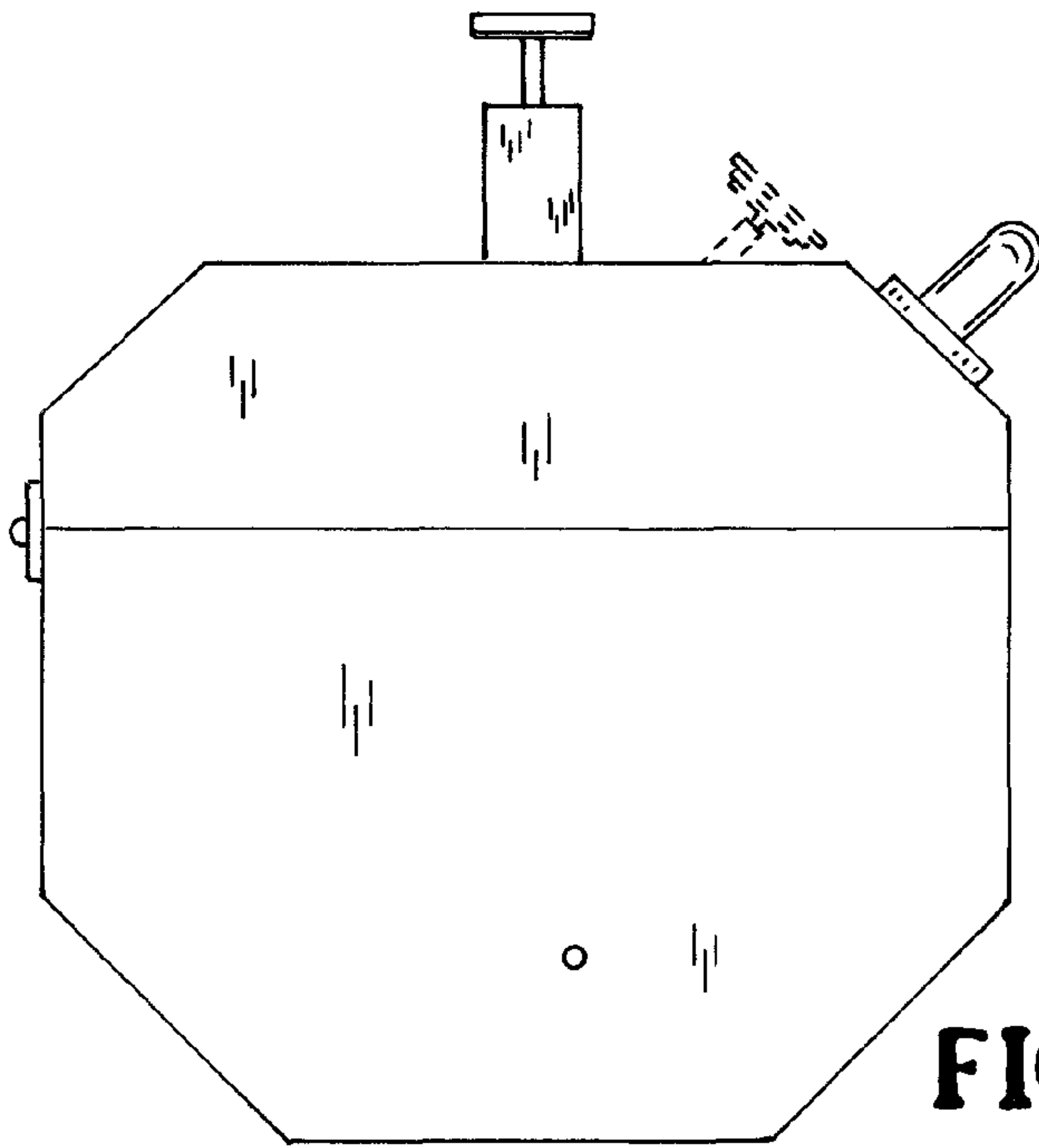


FIG. 5

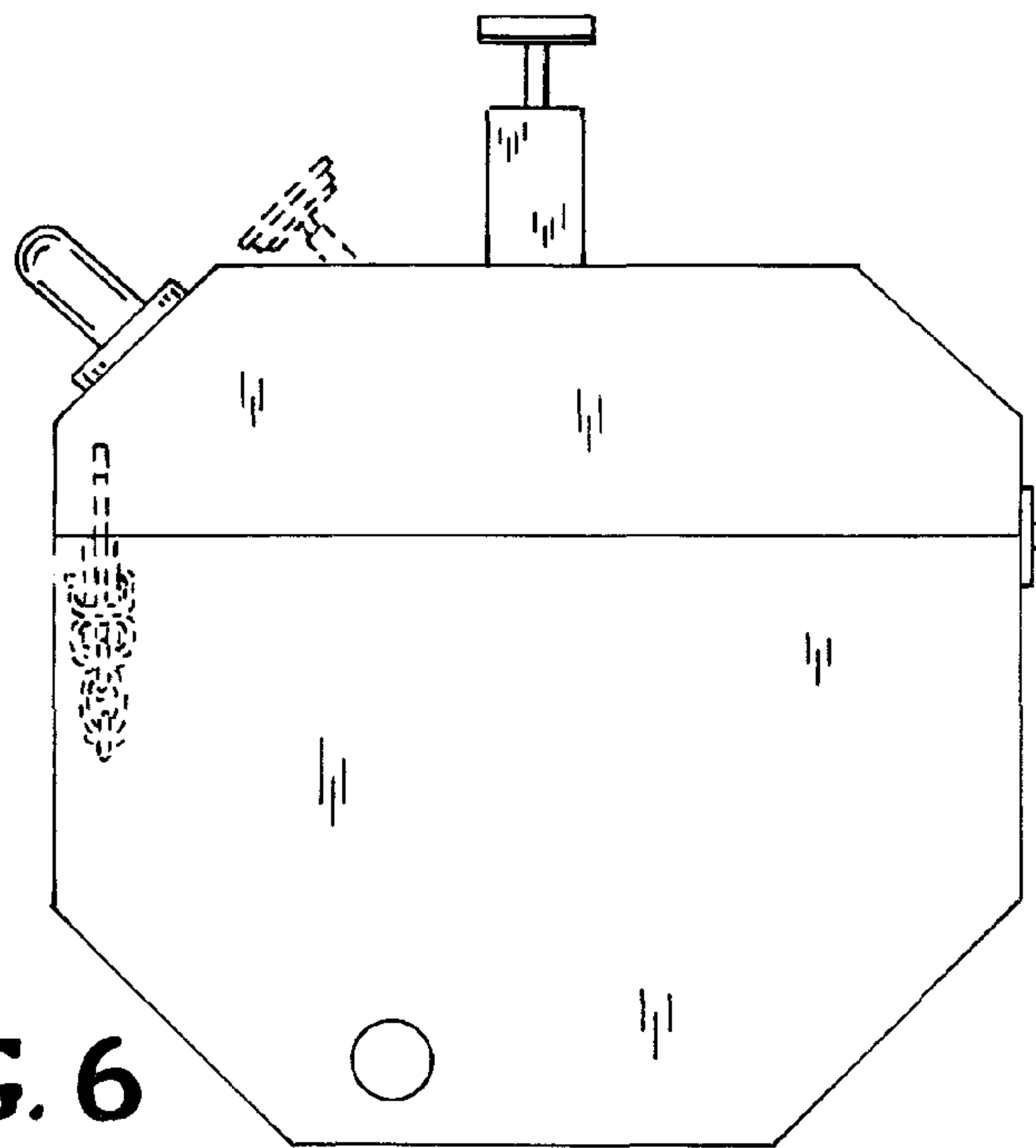


FIG. 6

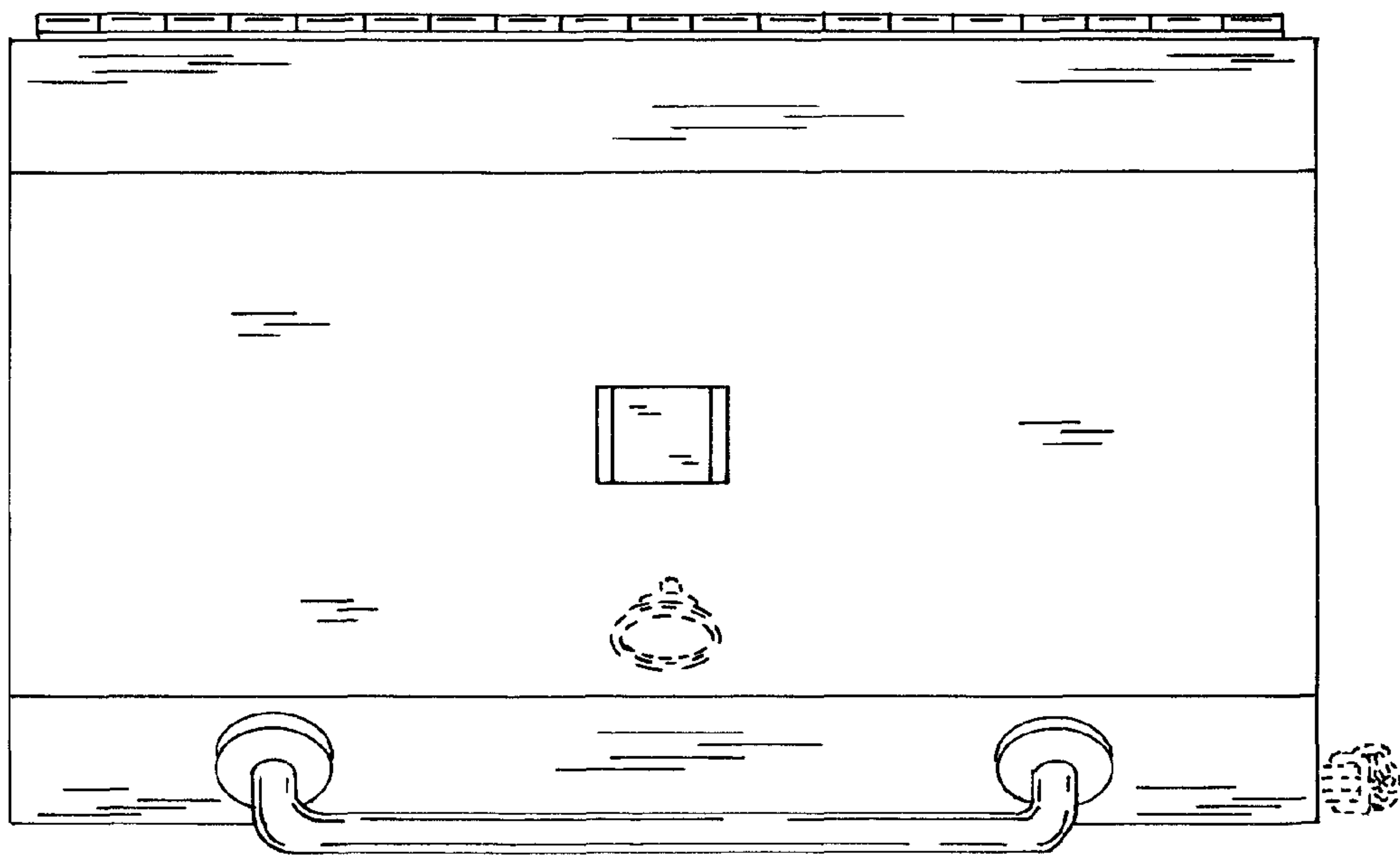


FIG. 7