



US00D646118S

(12) **United States Design Patent**  
**Fallon et al.**

(10) **Patent No.:** **US D646,118 S**  
(45) **Date of Patent:** **\*\* Oct. 4, 2011**

(54) **DISPENSER**

(75) Inventors: **Barry Fallon**, Birmingham (GB); **Paul Hanniffy**, Birmingham (GB)

(73) Assignee: **Manitowoc Beverage Systems Ltd**,  
West Midlands (GB)

(\*\*) Term: **14 Years**

(21) Appl. No.: **29/389,062**

(22) Filed: **Apr. 6, 2011**

**Related U.S. Application Data**

(62) Division of application No. 29/356,560, filed on Feb. 26, 2010, now Pat. No. Des. 637,442.

(51) **LOC (9) Cl.** ..... **07-99**

(52) **U.S. Cl.** ..... **D7/397**

(58) **Field of Classification Search** ..... D7/300,  
D7/305, 397, 624.1, 399, 398; 222/153.07,  
222/542, 146.6, 608; 62/400

See application file for complete search history.

(56) **References Cited**

**U.S. PATENT DOCUMENTS**

D101,644 S \* 10/1936 Lehman ..... D7/397  
2,917,906 A \* 12/1959 Woolley ..... 62/306  
D205,825 S \* 9/1966 Cornelius ..... D7/300  
4,083,294 A \* 4/1978 Petry ..... 99/279

4,164,858 A \* 8/1979 Holmes ..... 72/237  
4,481,791 A \* 11/1984 German ..... 62/400  
D341,986 S \* 12/1993 Futscher ..... D7/313  
D366,183 S \* 1/1996 Sintchak ..... D7/388  
D382,760 S \* 8/1997 Priest ..... D7/305  
6,010,043 A \* 1/2000 Williamson et al. .... 222/608  
D511,649 S \* 11/2005 Chen ..... D7/399  
D600,976 S \* 9/2009 Chen ..... D7/397  
7,757,908 B1 \* 7/2010 Buhl, Jr. .... 222/608

\* cited by examiner

*Primary Examiner* — Marianne Pandozzi

(74) *Attorney, Agent, or Firm* — Ohlandt, Greeley, Ruggiero & Perle, L.L.P.

(57) **CLAIM**

The ornamental design for a dispenser, as shown and described.

**DESCRIPTION**

FIG. 1 is a top perspective view of a dispenser of the present disclosure;

FIG. 2 is a top view of the dispenser of FIG. 1;

FIG. 3 is a bottom view of the dispenser of FIG. 1;

FIG. 4 is a front view of the dispenser of FIG. 1;

FIG. 5 is a rear view of the dispenser of FIG. 1;

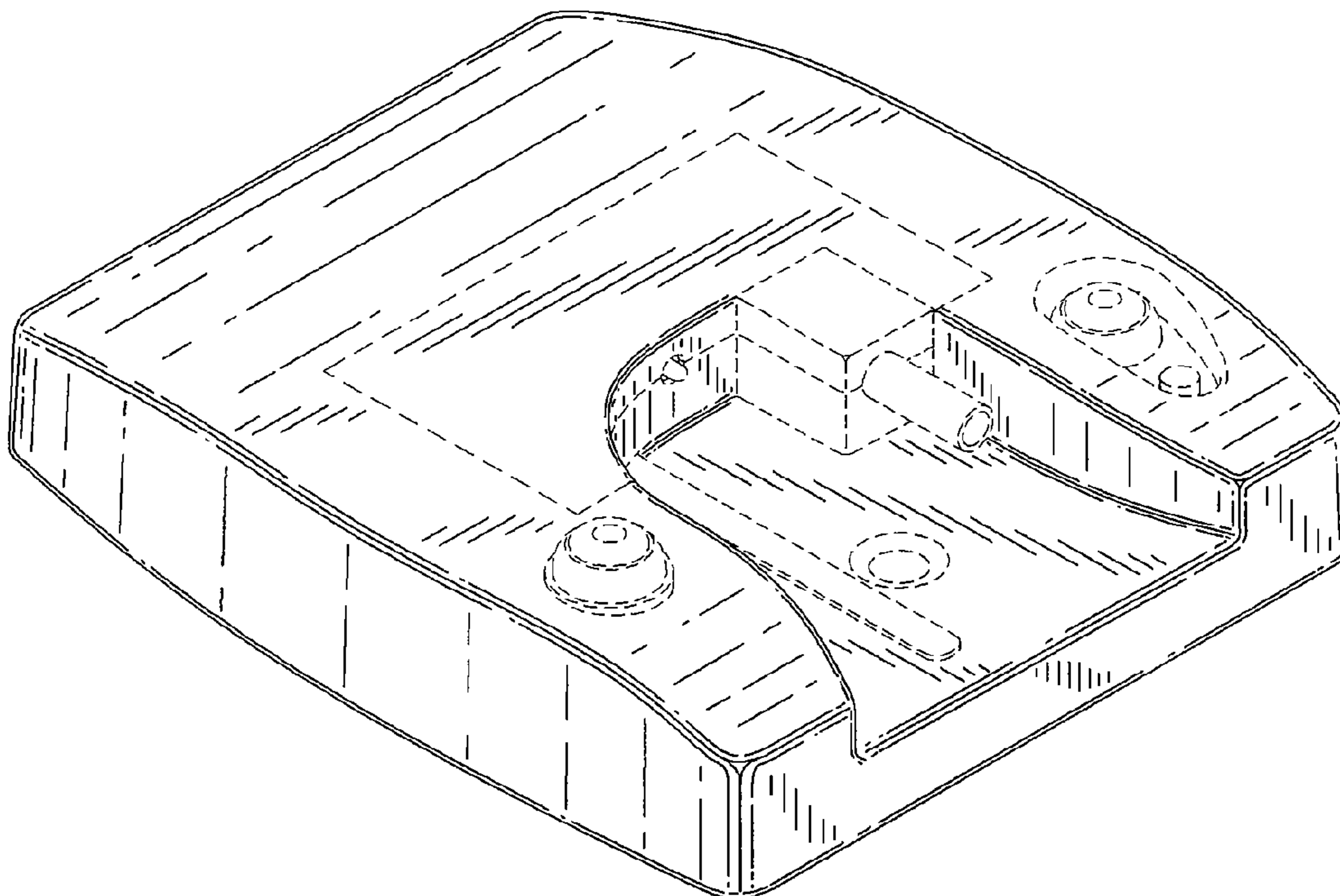
FIG. 6 is a right side view of the dispenser of FIG. 1;

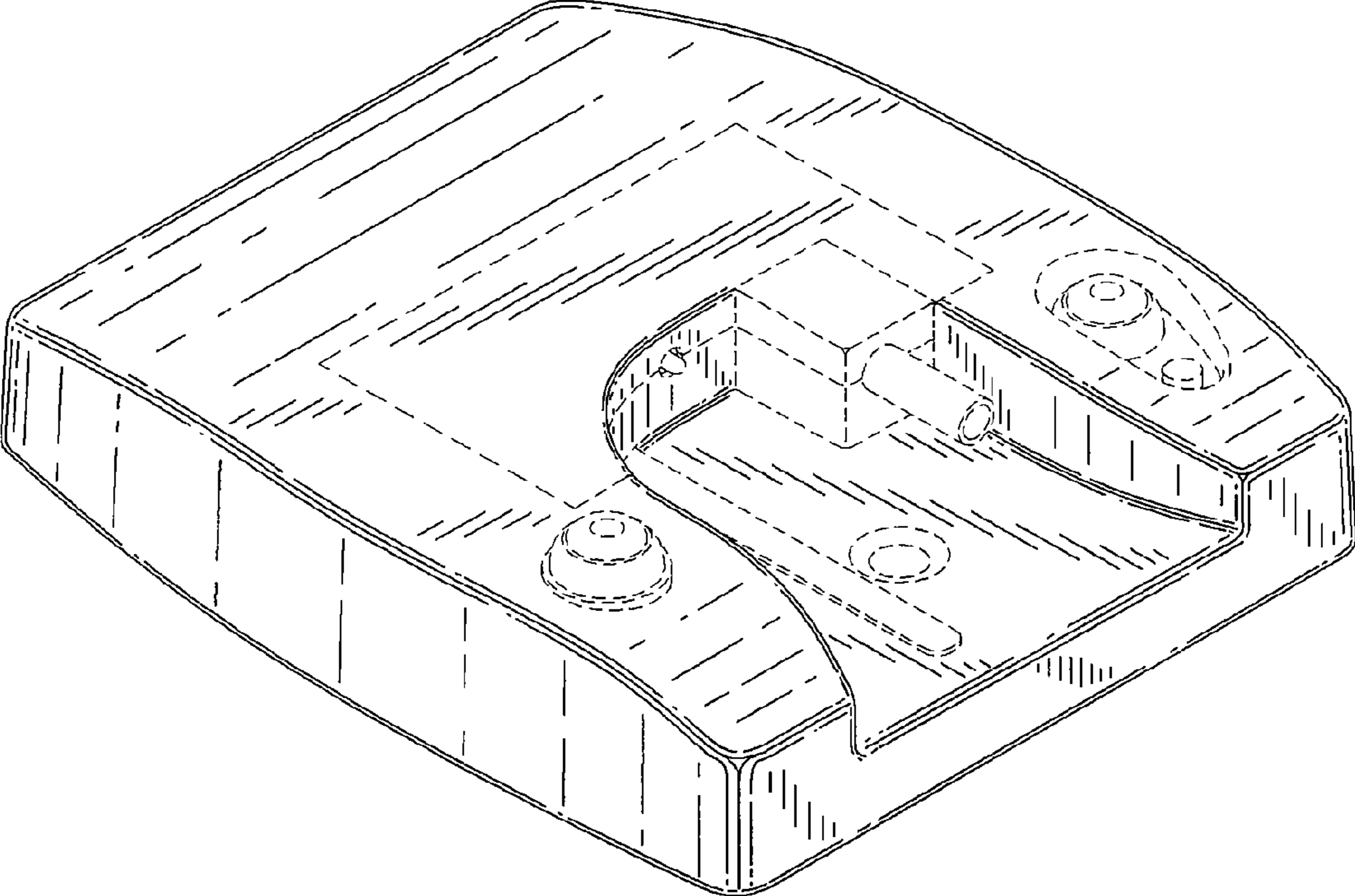
FIG. 7 is a left side view of the dispenser of FIG. 1; and,

FIG. 8 is a perspective view of the dispenser of FIG. 1 shown in use.

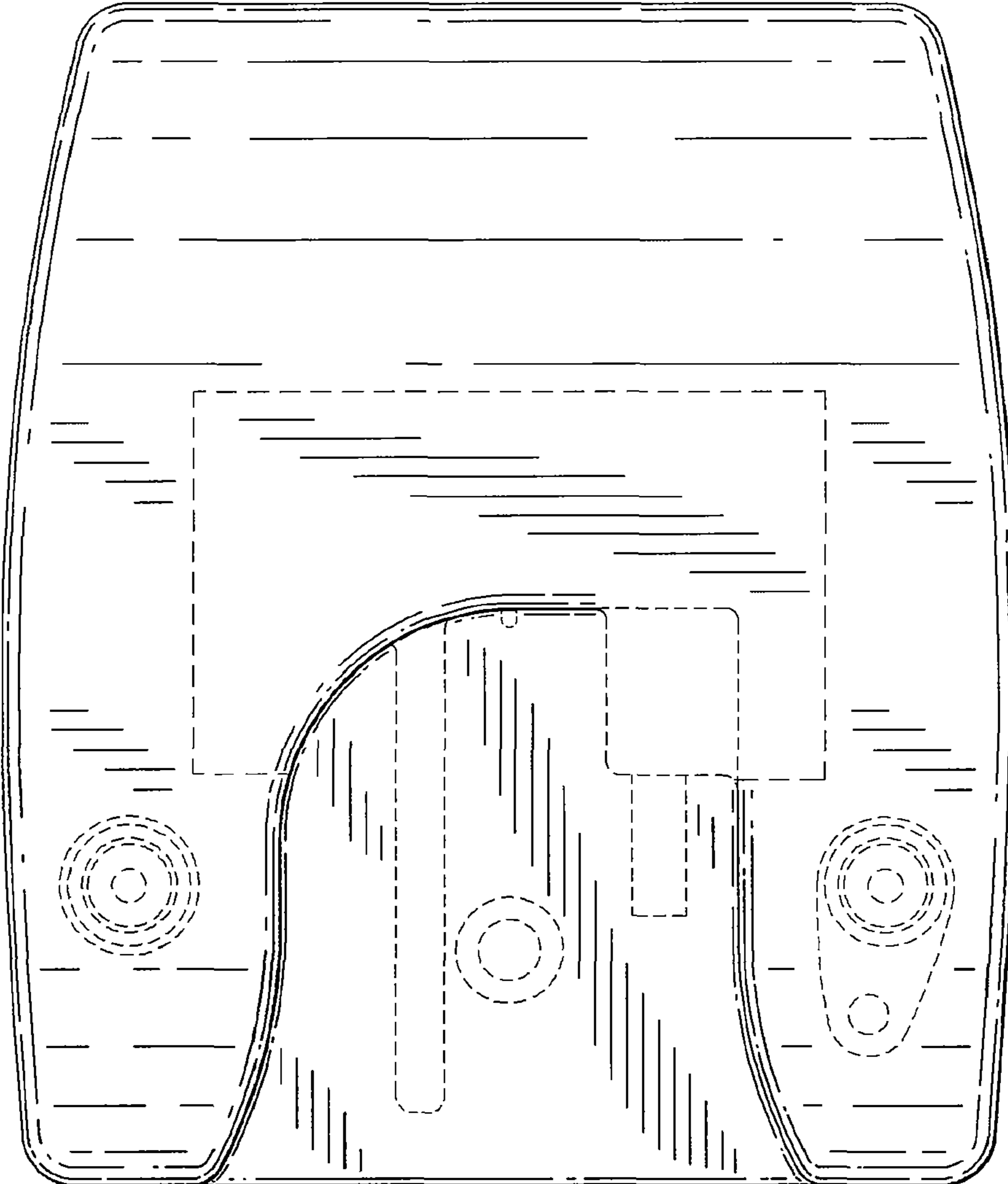
The broken lines in the drawings illustrating environmental structure or boundaries are for illustrative purposes only and forms no part of the claimed design.

**1 Claim, 6 Drawing Sheets**

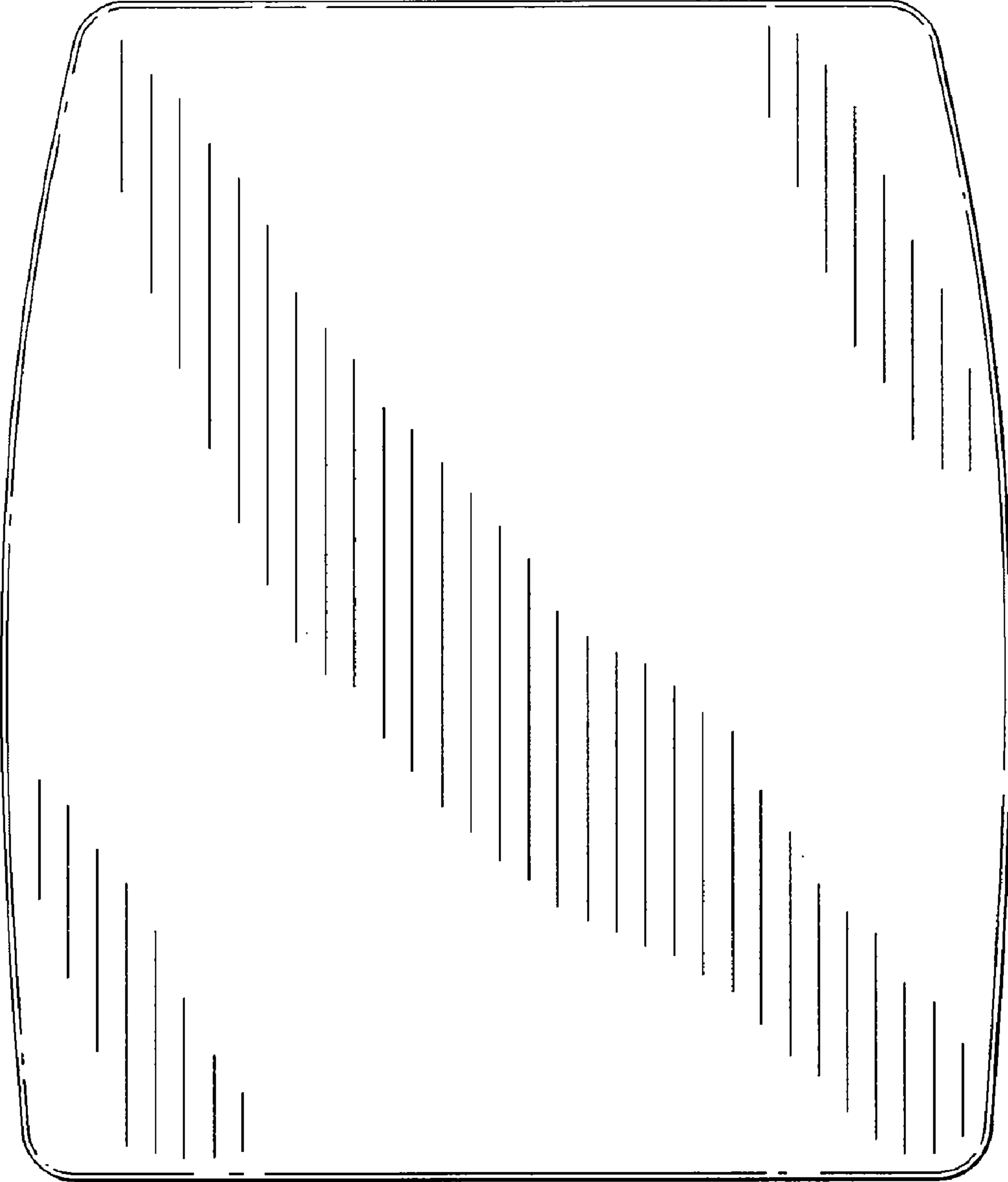




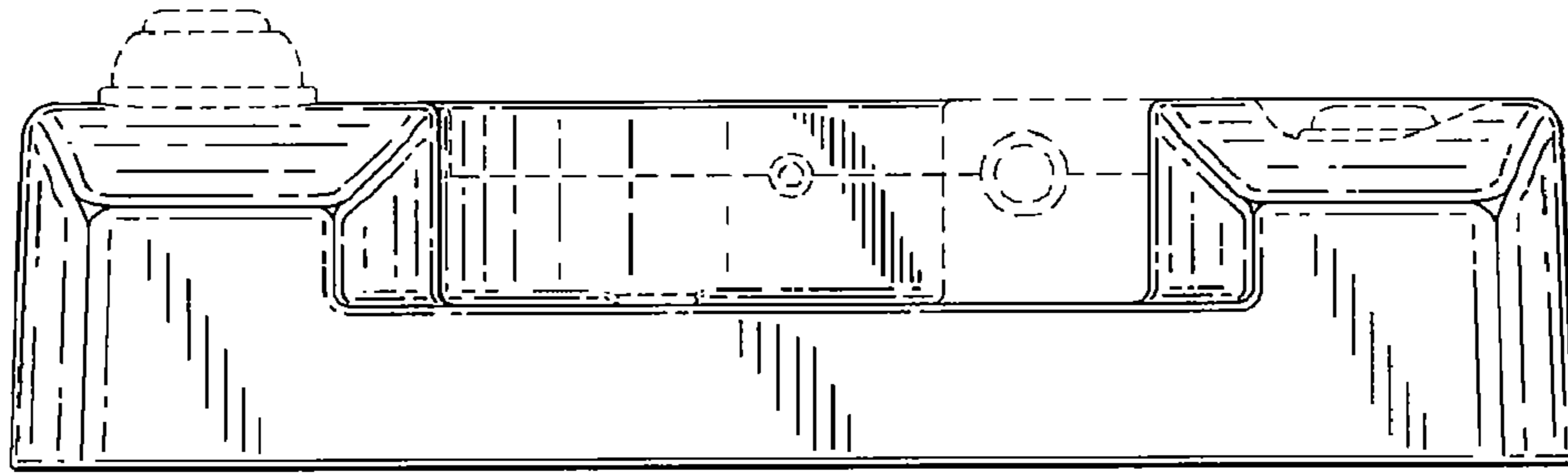
*FIG. 1*



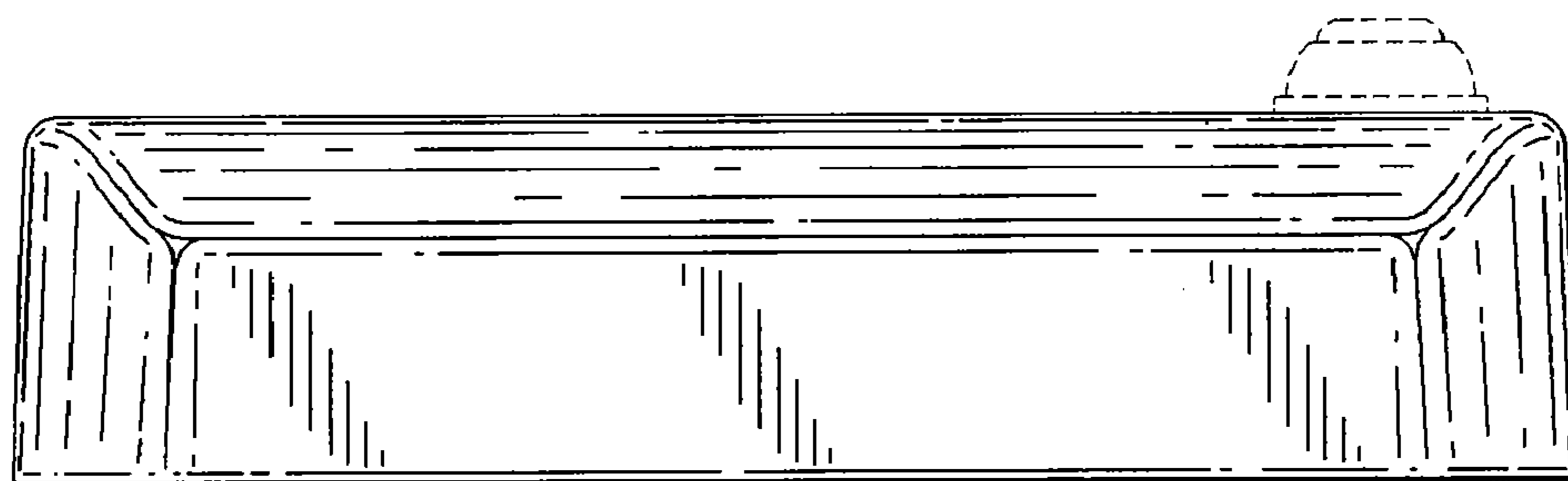
*FIG. 2*



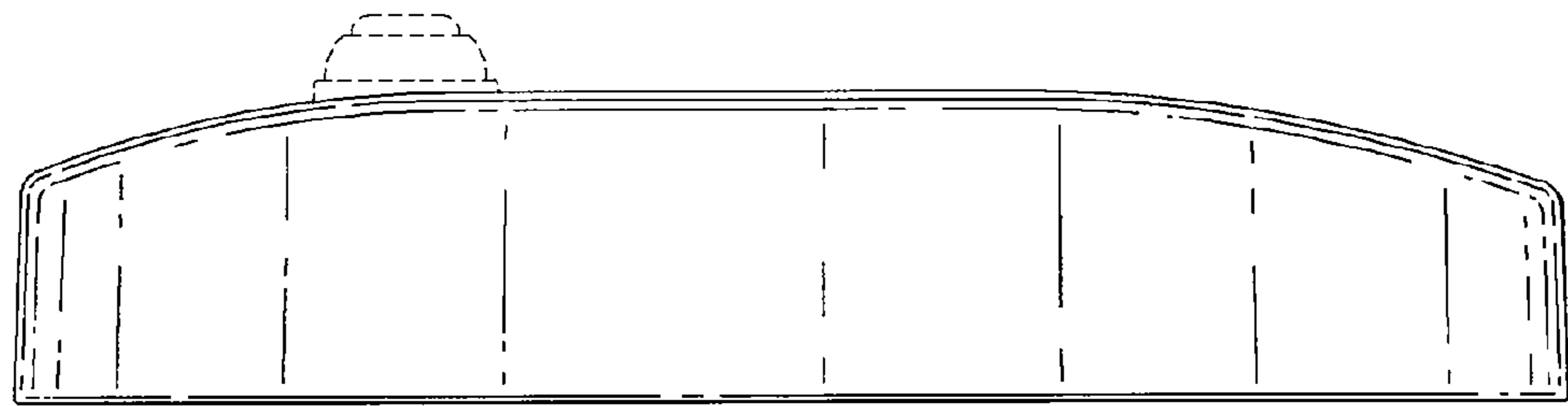
*FIG. 3*



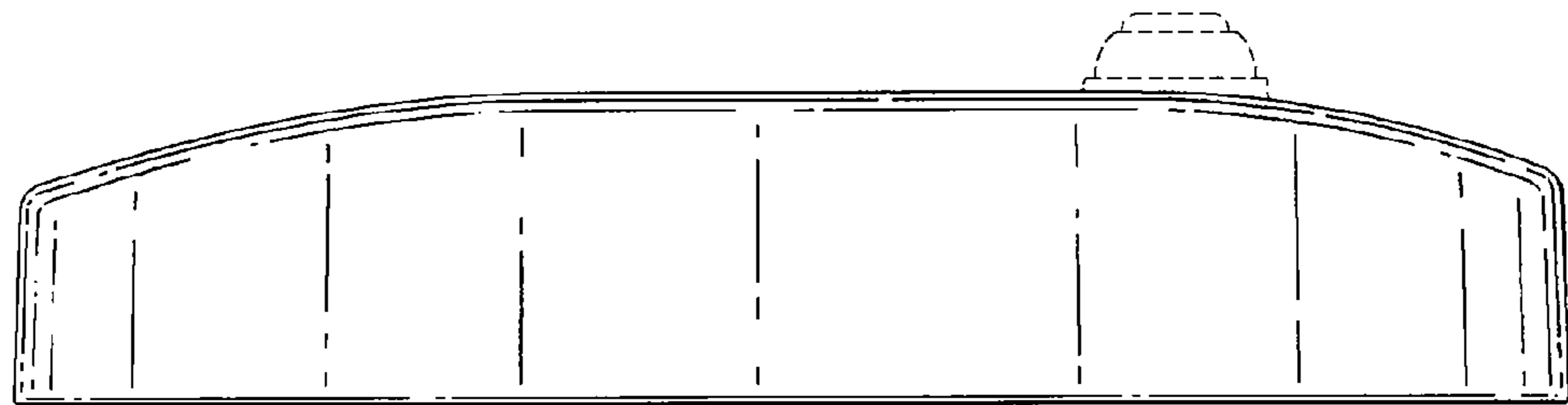
*FIG. 4*



*FIG. 5*



*FIG. 6*



*FIG. 7*

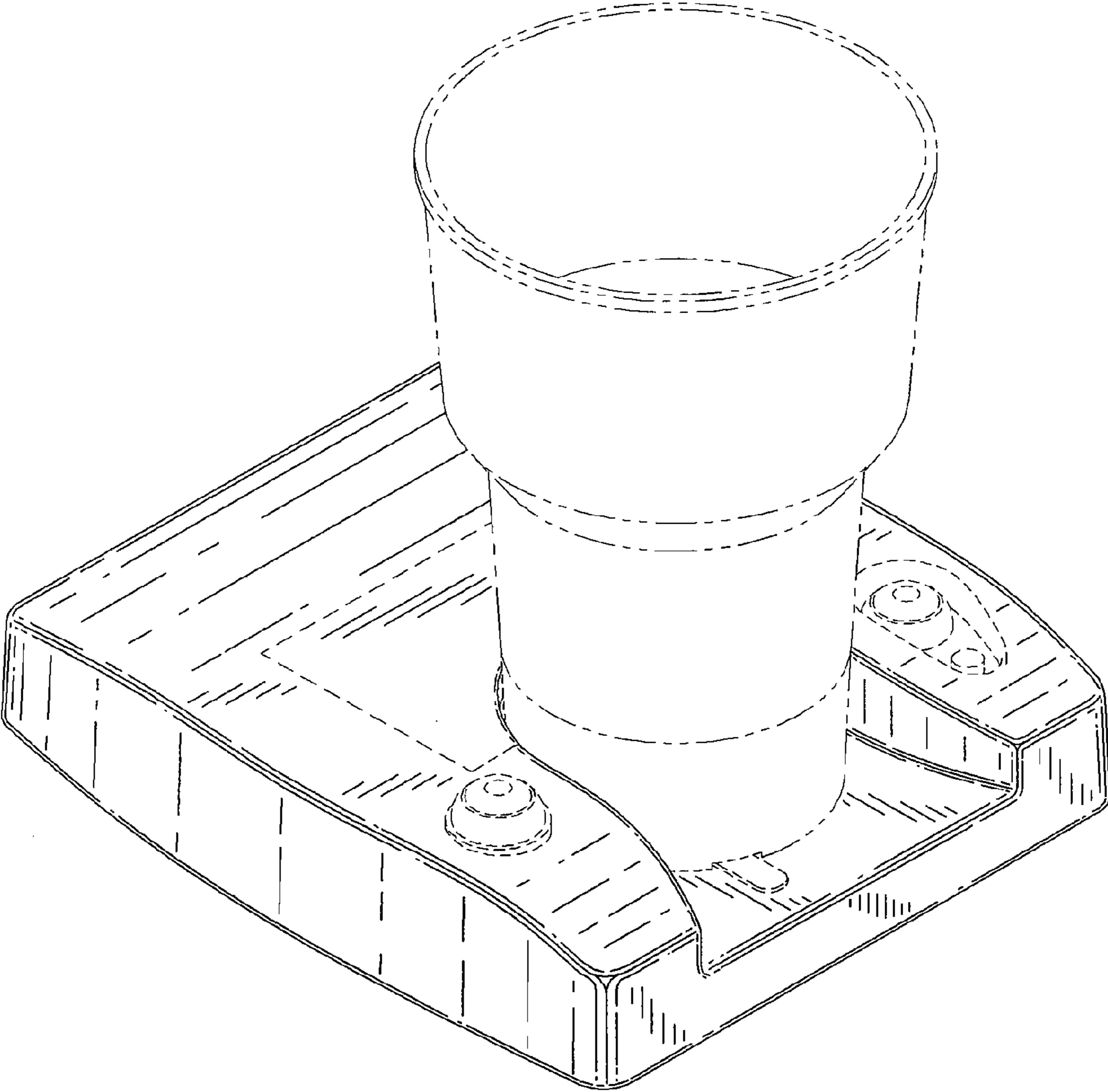


FIG. 8