



US00D646116S

(12) **United States Design Patent**
Thelen et al.

(10) **Patent No.:** **US D646,116 S**
(45) **Date of Patent:** **** Oct. 4, 2011**

- (54) **COOKING POT**
- (75) Inventors: **Arnold Thelen**, Idar-Oberstein (DE);
Ernst Wedekind, Köln (DE)
- (73) Assignee: **Fissler GmbH**, Idar-Oberstein (DE)
- (**) Term: **14 Years**
- (21) Appl. No.: **29/385,239**
- (22) Filed: **Feb. 10, 2011**
- (51) **LOC (9) Cl.** **07-02**
- (52) **U.S. Cl.** **D7/358; D7/354**
- (58) **Field of Classification Search** D7/323,
D7/329-331, 339, 346-347, 350.1-350.4,
D7/353-367, 391, 393, 395, 402, 406, 538,
D7/542; 99/324-325, 331-332, 337-340,
99/369, 400-418, 422, 425, 444, 483; 126/37 R,
126/261, 374.1, 378.1; 206/501-505, 507-508;
219/400, 405, 429-442, 620-624, 725, 730-735;
220/203.05, 203.07, 203.09, 298, 315-316,
220/573.1-573.5, 912; 426/438, 441
See application file for complete search history.

D365,494 S *	12/1995	Roussard	D7/358
D370,382 S *	6/1996	Combe	D7/360
D384,547 S *	10/1997	Roussard et al.	D7/358
6,067,896 A *	5/2000	Elorza	99/337
D432,349 S *	10/2000	Jo	D7/358
D433,273 S *	11/2000	Roussard	D7/358
D445,631 S *	7/2001	Elorza	D7/358
D453,661 S *	2/2002	Colletti	D7/358
D455,600 S *	4/2002	Barrena	D7/358
D521,312 S *	5/2006	Pukall et al.	D7/360
D530,145 S *	10/2006	Bergara	D7/358
D530,974 S *	10/2006	Bergara	D7/358
D570,153 S *	6/2008	Bergara	D7/358
D572,521 S *	7/2008	Bergara	D7/358
D588,397 S *	3/2009	Naef et al.	D7/354
D618,041 S *	6/2010	Thelen et al.	D7/358
D618,042 S *	6/2010	Thelen et al.	D7/358

* cited by examiner

Primary Examiner — Ricky Pham
(74) *Attorney, Agent, or Firm* — Foley & Lardner LLP

(57) **CLAIM**
We claim the ornamental design for a cooking pot, as shown and described.

DESCRIPTION

FIG. 1 is a perspective view of a cooking pot according to our new design;
FIG. 2 is a right side view of the cooking pot shown in FIG. 1;
FIG. 3 is a left side view of the cooking pot shown in FIG. 1;
FIG. 4 is a front view of the cooking pot shown in FIG. 1;
FIG. 5 is a rear view of the cooking pot shown in FIG. 1;
FIG. 6 is a top view of the cooking pot shown in FIG. 1; and,
FIG. 7 is a bottom view of the cooking pot shown in FIG. 1.

1 Claim, 4 Drawing Sheets

(56) **References Cited**

U.S. PATENT DOCUMENTS

D184,909 S *	4/1959	Boldt	D7/358
4,162,741 A *	7/1979	Walker et al.	220/203.05
4,257,394 A *	3/1981	Zabel	126/374.1
D263,270 S *	3/1982	Pauty	D7/358
D263,782 S *	4/1982	Jackson et al.	D7/358
D295,817 S *	5/1988	Sebillotte	D7/358
D303,064 S *	8/1989	Vasudeva	D7/358
D312,751 S *	12/1990	Moreno	D7/358
D353,969 S *	1/1995	Savinell	D7/358

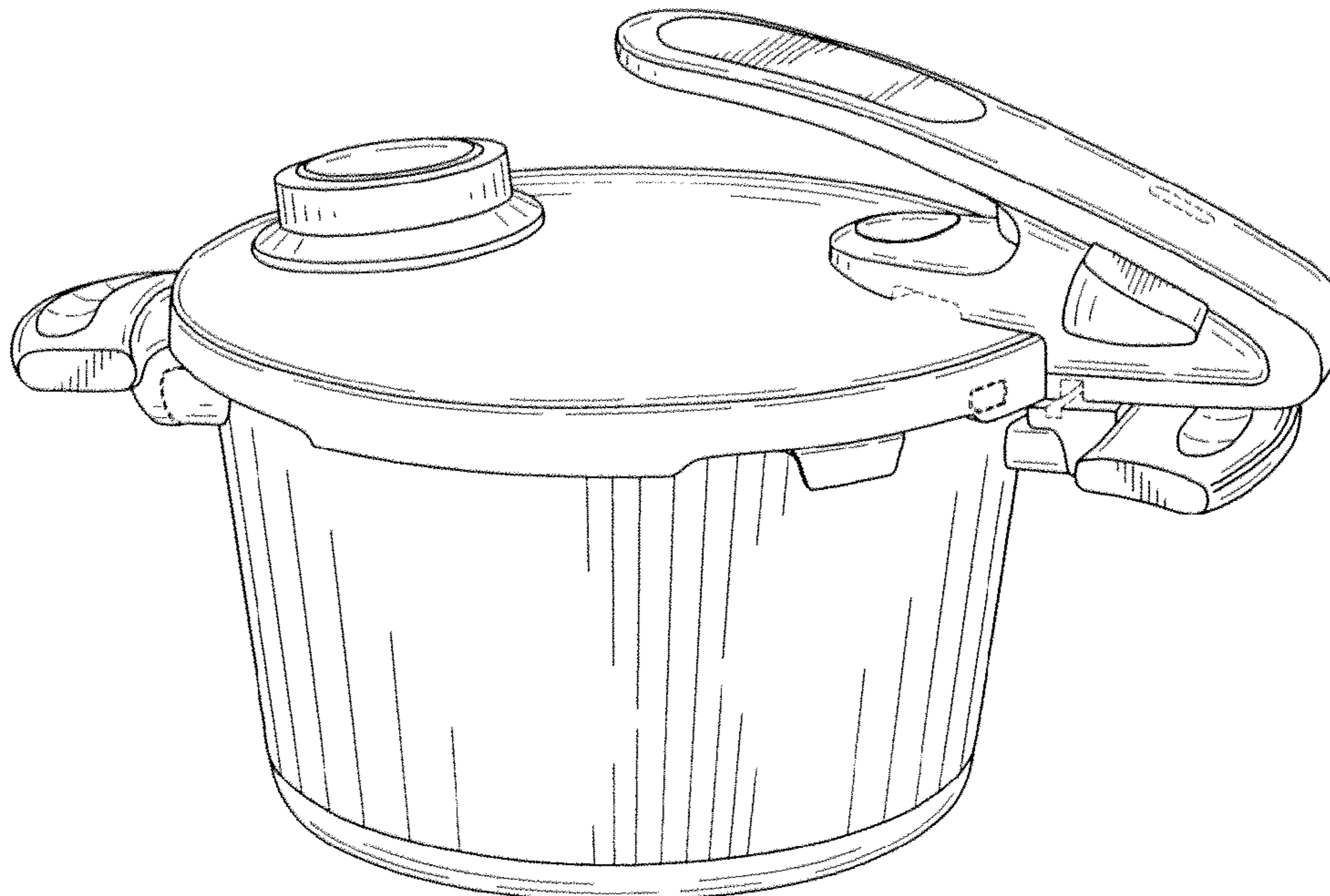


Fig. 1

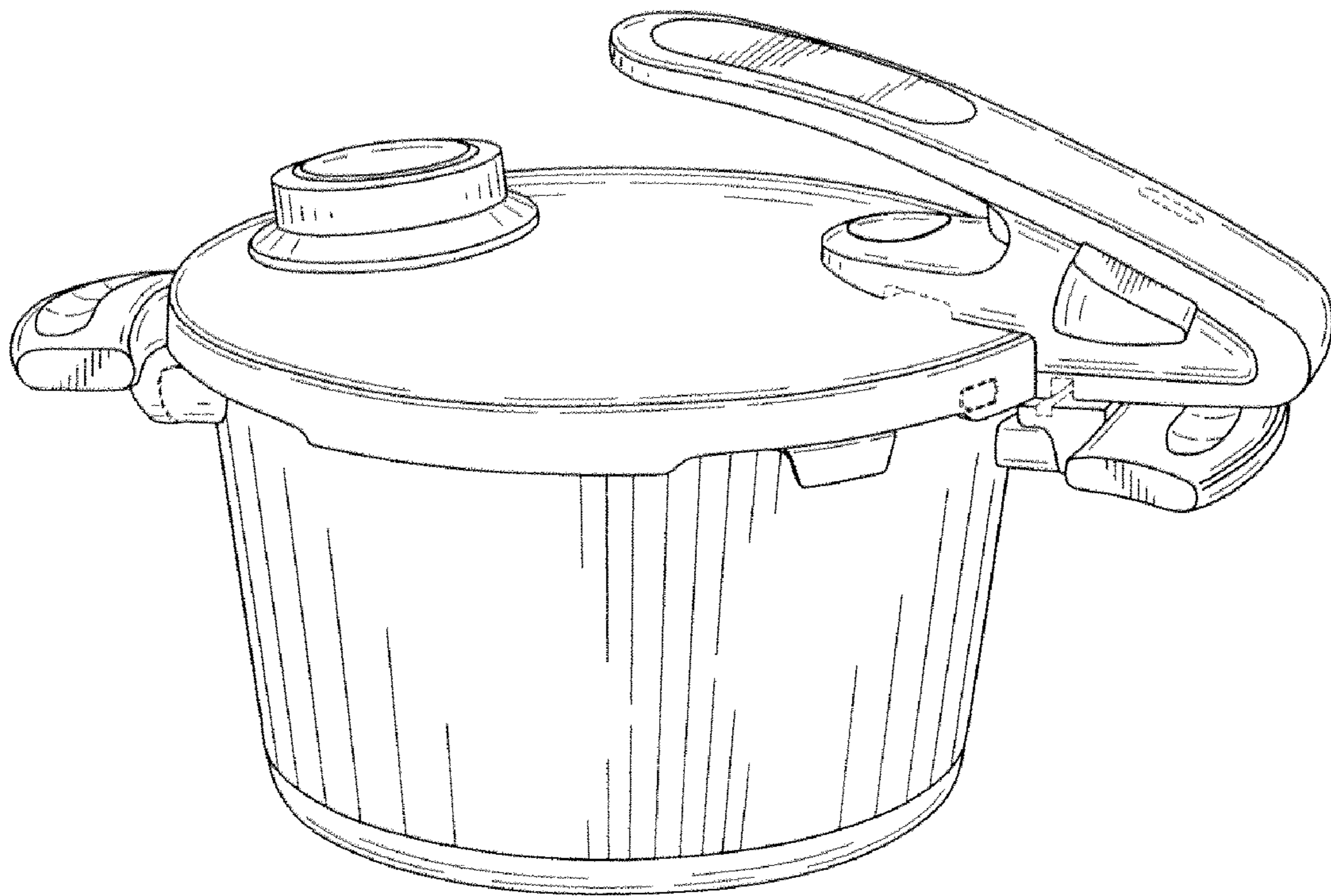


Fig. 2

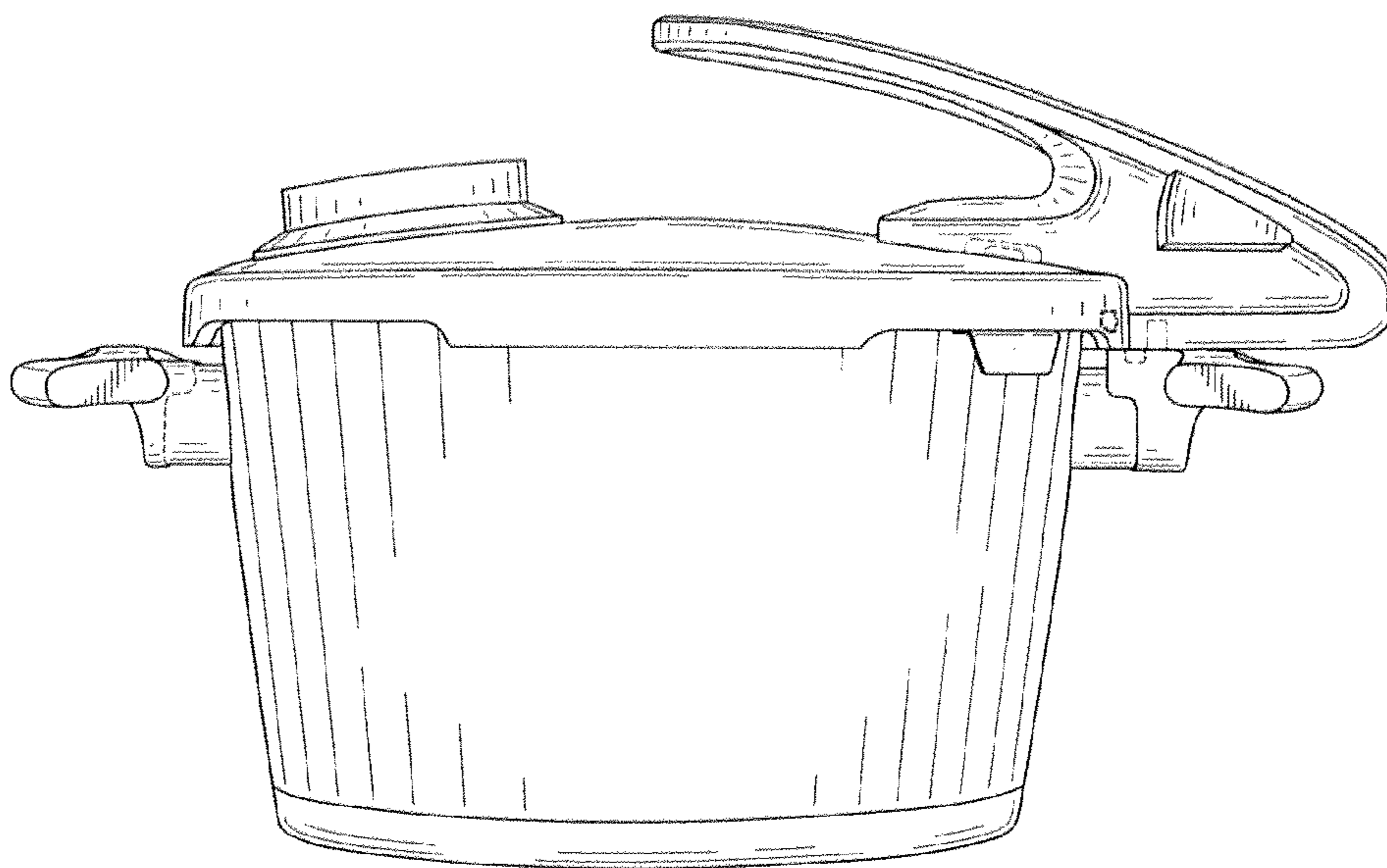


Fig. 3

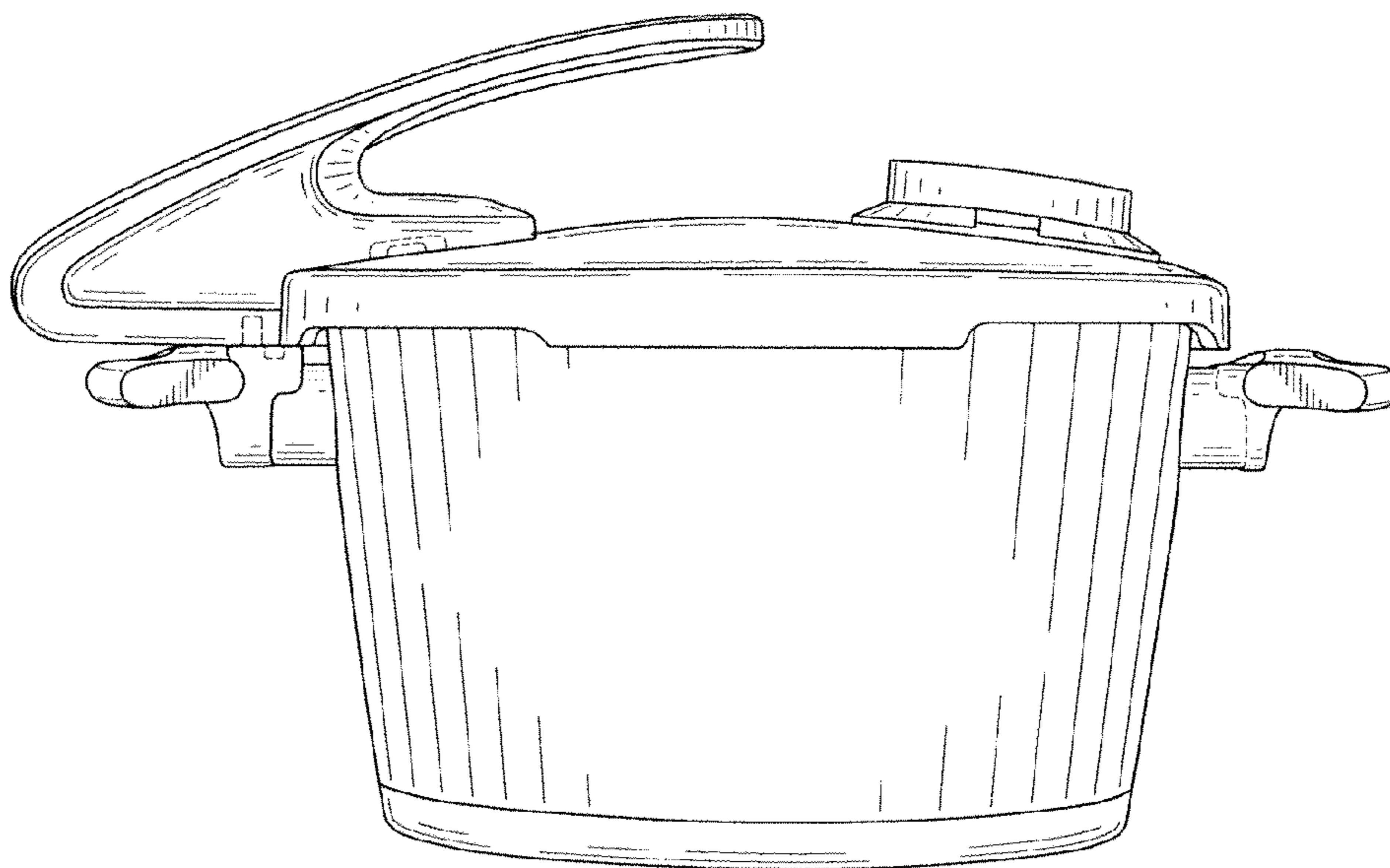


Fig. 4

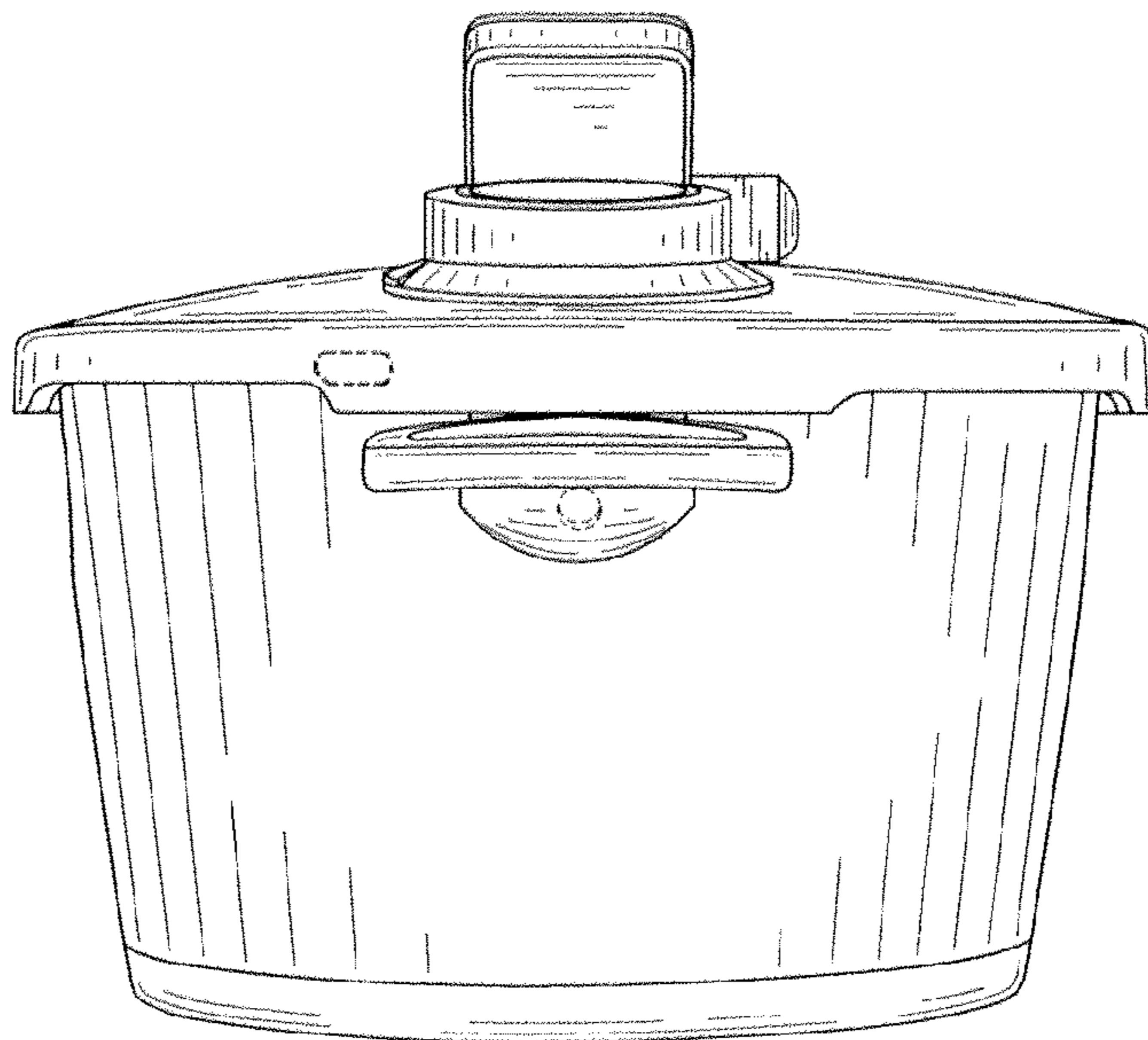


Fig. 5

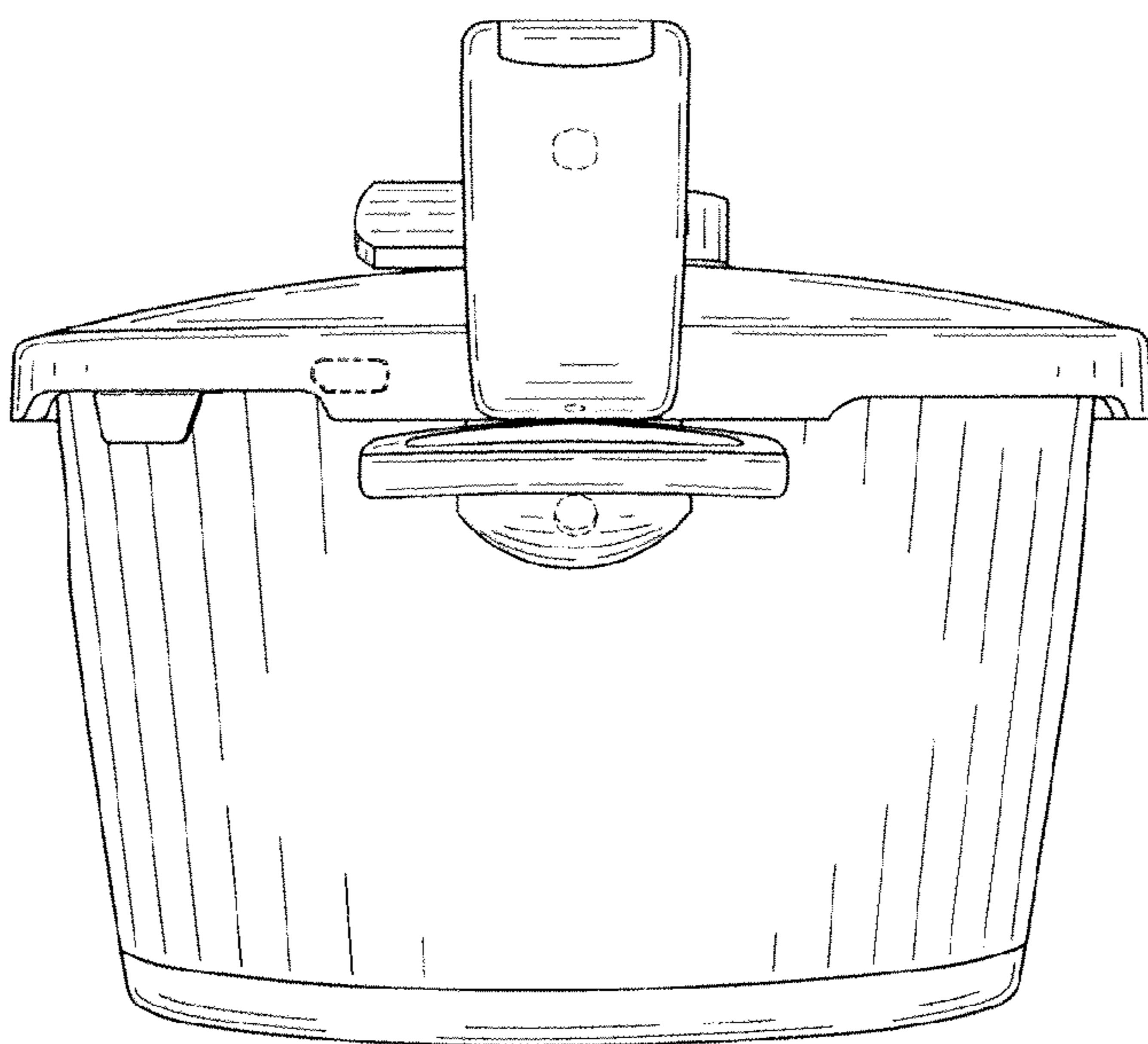


Fig. 6

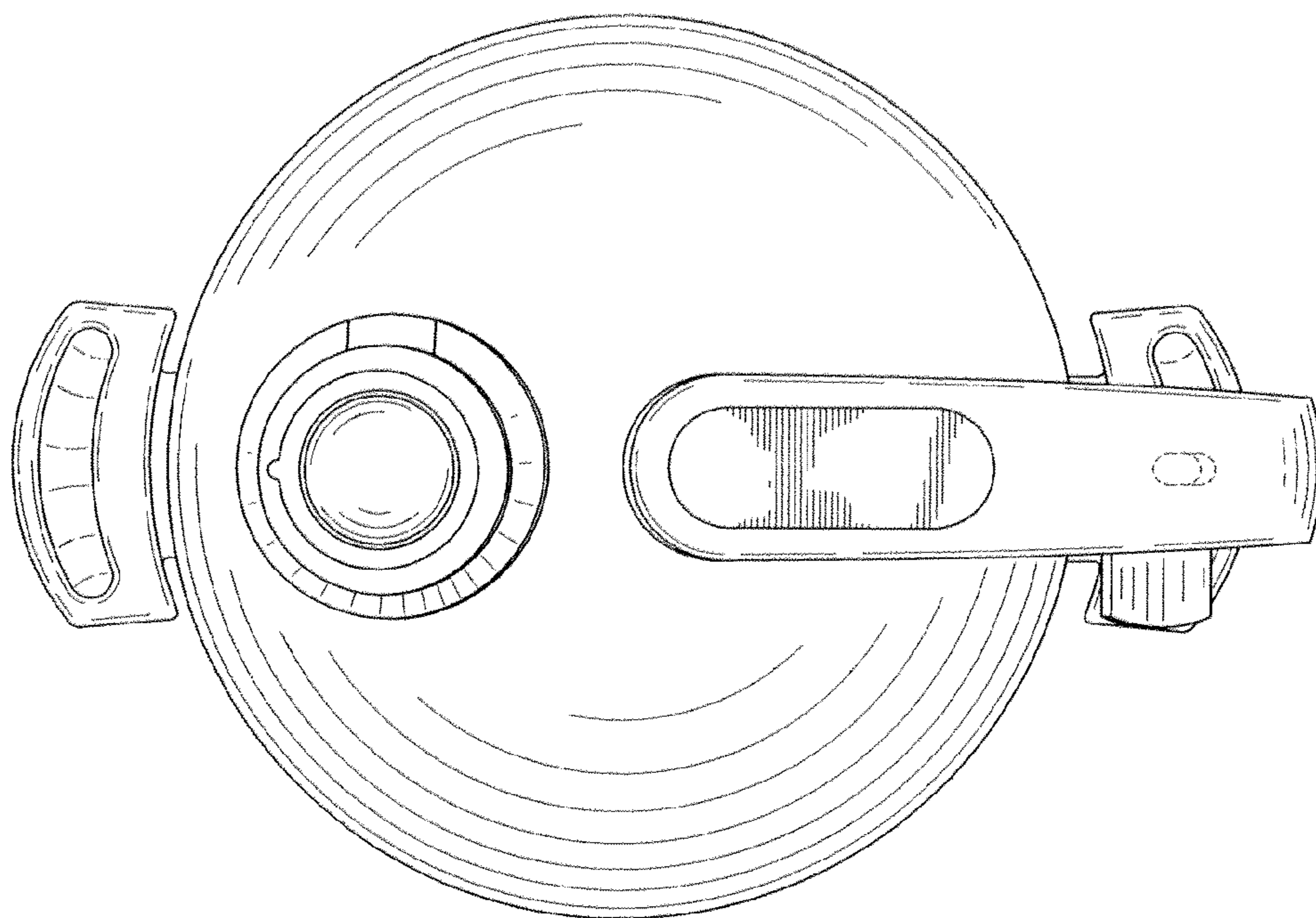


Fig. 7

