



US00D646113S

(12) **United States Design Patent**
Park et al.

(10) **Patent No.:** **US D646,113 S**

(45) **Date of Patent:** **** Oct. 4, 2011**

(54) **OVEN RANGE**

(75) Inventors: **Sojin Park**, Seoul (KR); **Hyoungjun Lee**, Seoul (KR); **Jungkyu Son**, Seoul (KR); **Miyoung Kim**, Seoul (KR)

(73) Assignee: **LG Electronics Inc.**, Seoul (KR)

(**) Term: **14 Years**

(21) Appl. No.: **29/384,238**

(22) Filed: **Jan. 28, 2011**

(30) **Foreign Application Priority Data**

Jul. 30, 2010 (KR) 30-2010-0033553

(51) **LOC (9) Cl.** **07-02**

(52) **U.S. Cl.** **D7/348**

(58) **Field of Classification Search** D7/339–348,
D7/402–408, 350.1–351; 126/19 R, 39 B,
126/39 C, 39 R, 273 R, 50

See application file for complete search history.

(56) **References Cited**

U.S. PATENT DOCUMENTS

D523,685 S * 6/2006 Jung et al. D7/340
D525,477 S * 7/2006 Kim D7/351
D526,527 S * 8/2006 Jung et al. D7/348

D538,581 S * 3/2007 Lee et al. D7/340
D552,920 S * 10/2007 Chung et al. D7/348
D580,698 S * 11/2008 Kim et al. D7/348
D627,593 S * 11/2010 Lee et al. D7/340

* cited by examiner

Primary Examiner — Catheri Oliver

(74) *Attorney, Agent, or Firm* — Birch, Stewart, Kolasch & Birch, LLP

(57) **CLAIM**

The ornamental design for an oven range, as shown and described.

DESCRIPTION

FIG. 1 is a top, front, perspective view of an oven range showing our new design;
FIG. 2 is a front view thereof;
FIG. 3 is a rear view thereof;
FIG. 4 is a left side view thereof;
FIG. 5 is a right side view thereof;
FIG. 6 is a top view thereof;
FIG. 7 is a bottom view thereof; and,
FIG. 8 is a reference view thereof.

The broken line showing of environment in the drawings is for illustrative purposes only and forms no part of the claimed design.

1 Claim, 8 Drawing Sheets

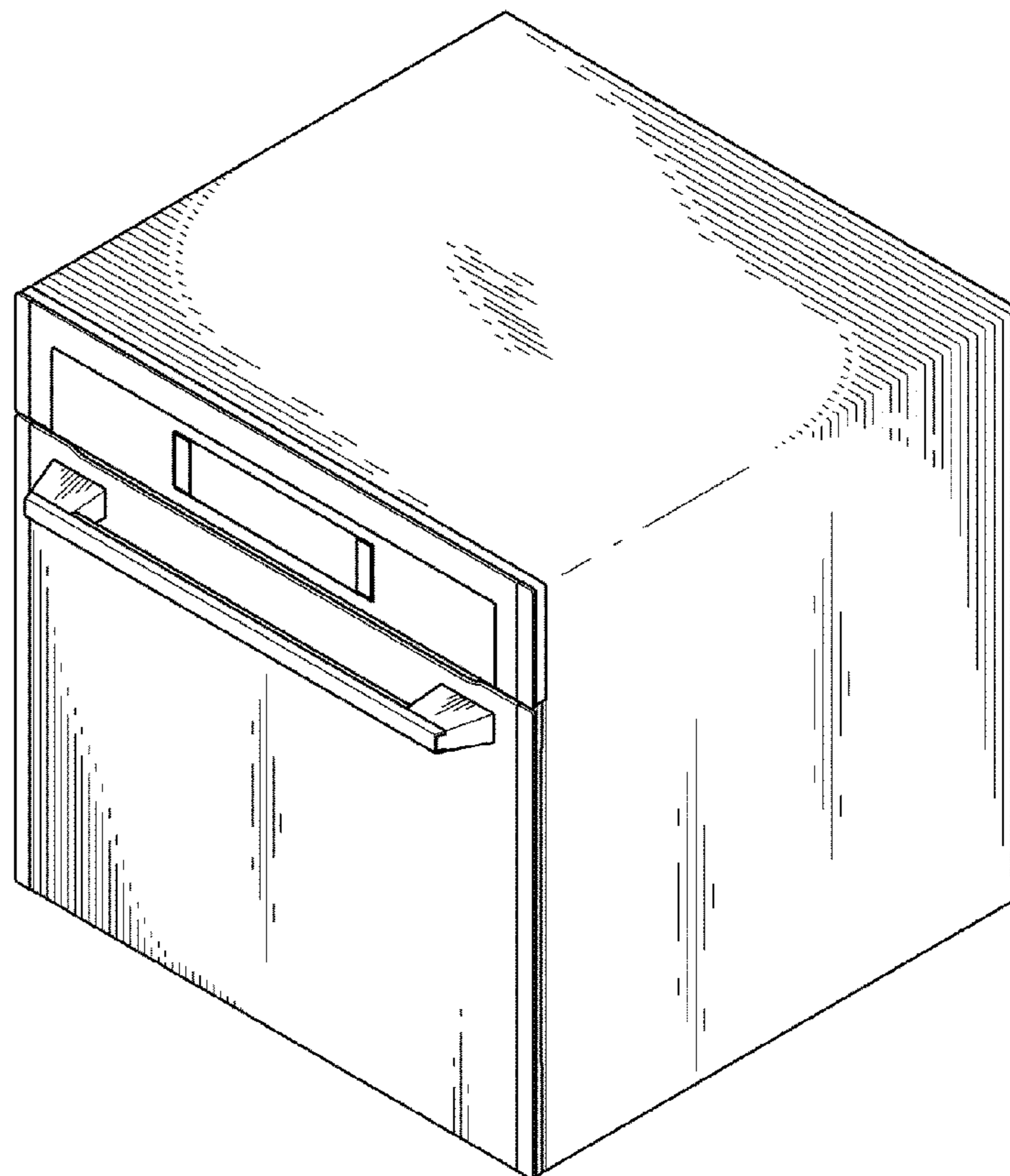


FIG. 1

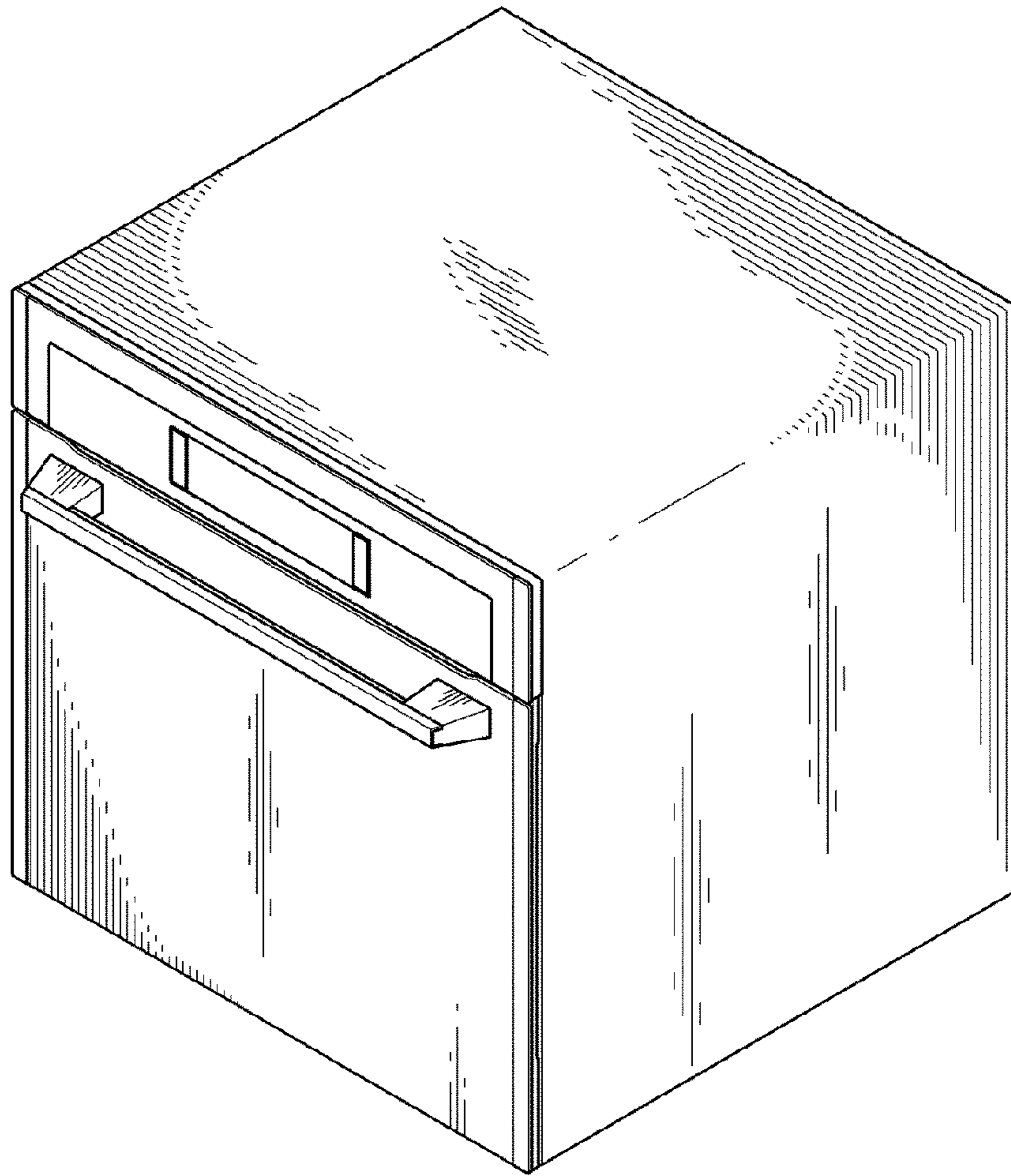


FIG. 2

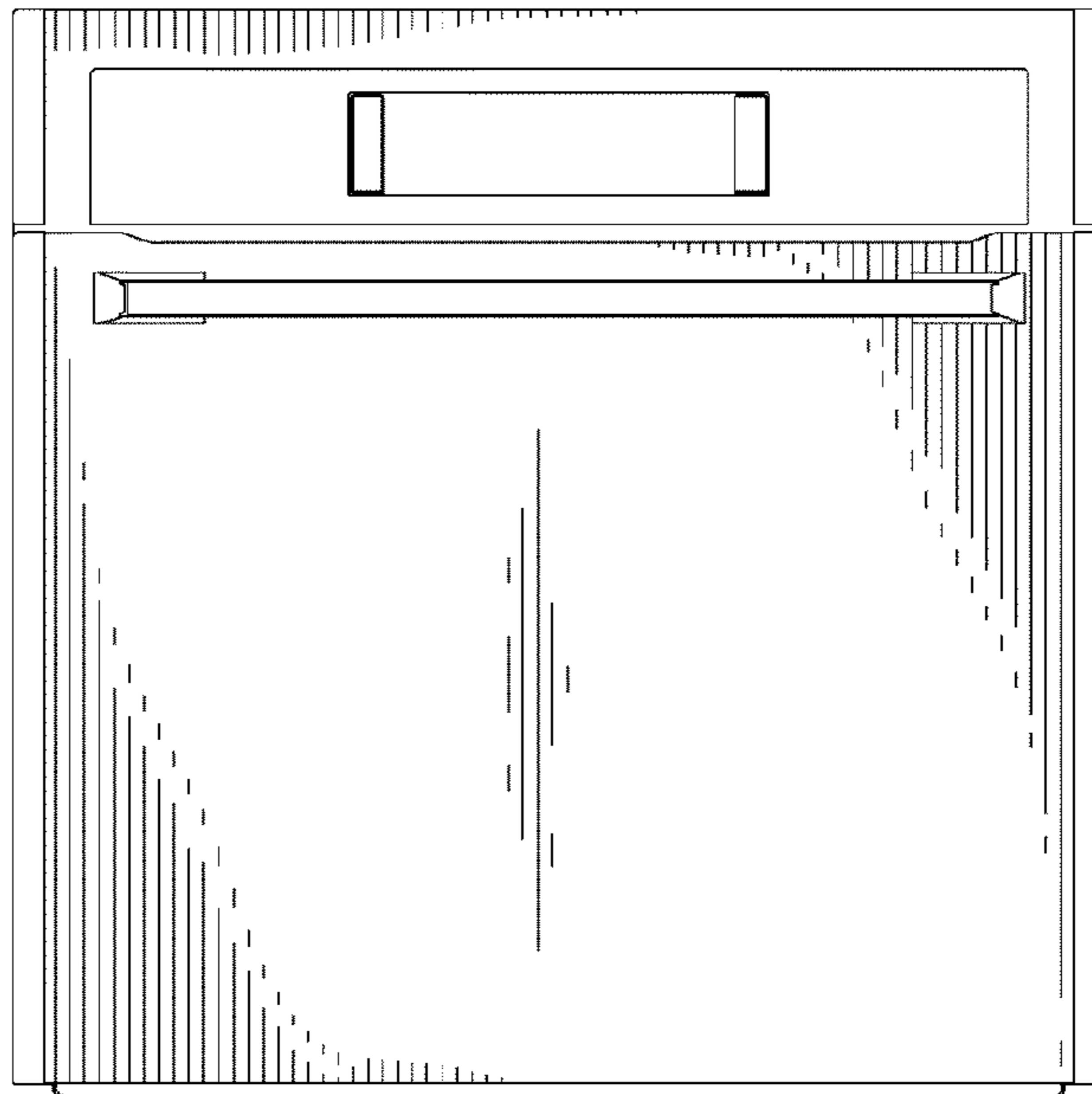


FIG. 3

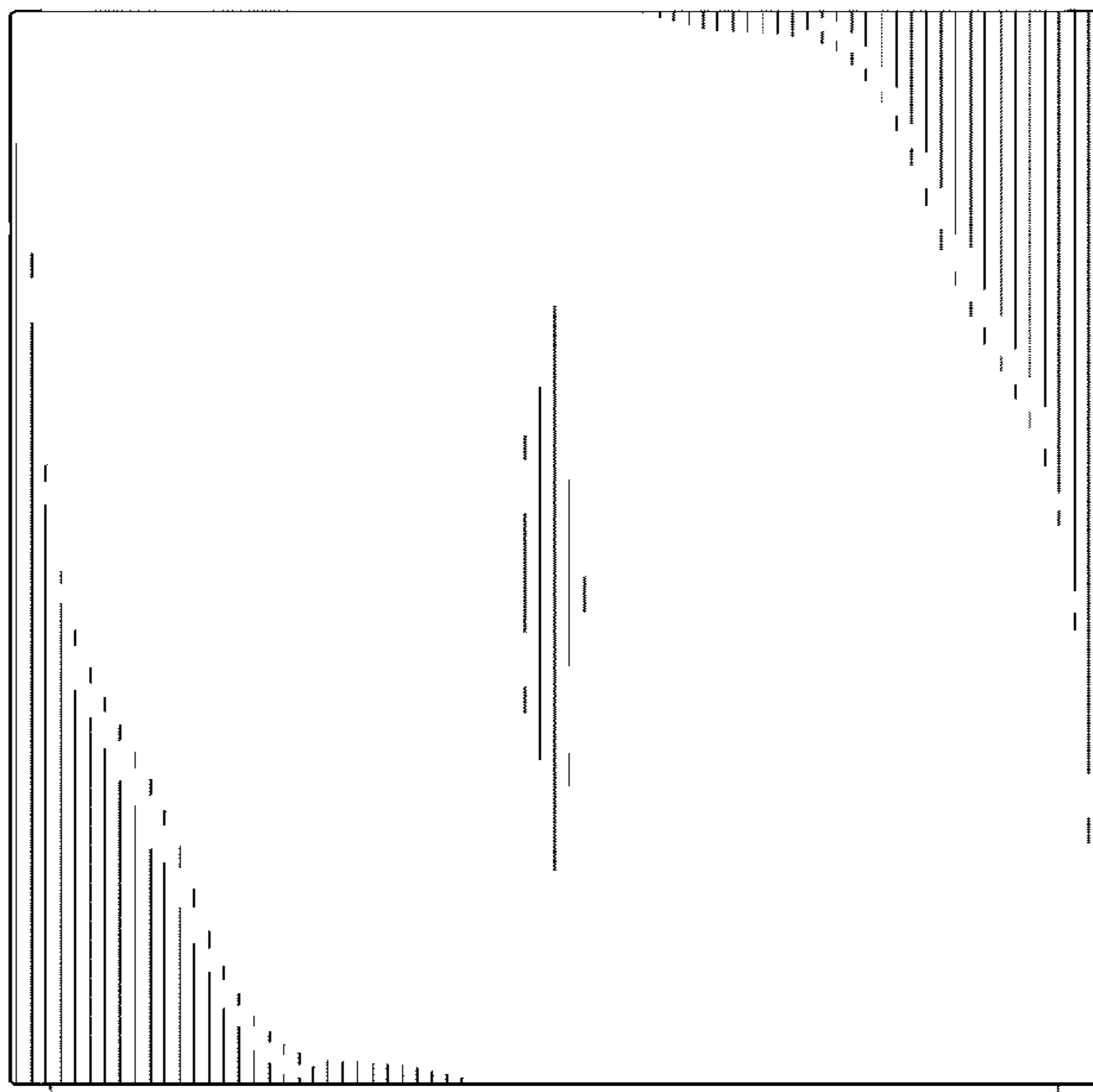


FIG. 4

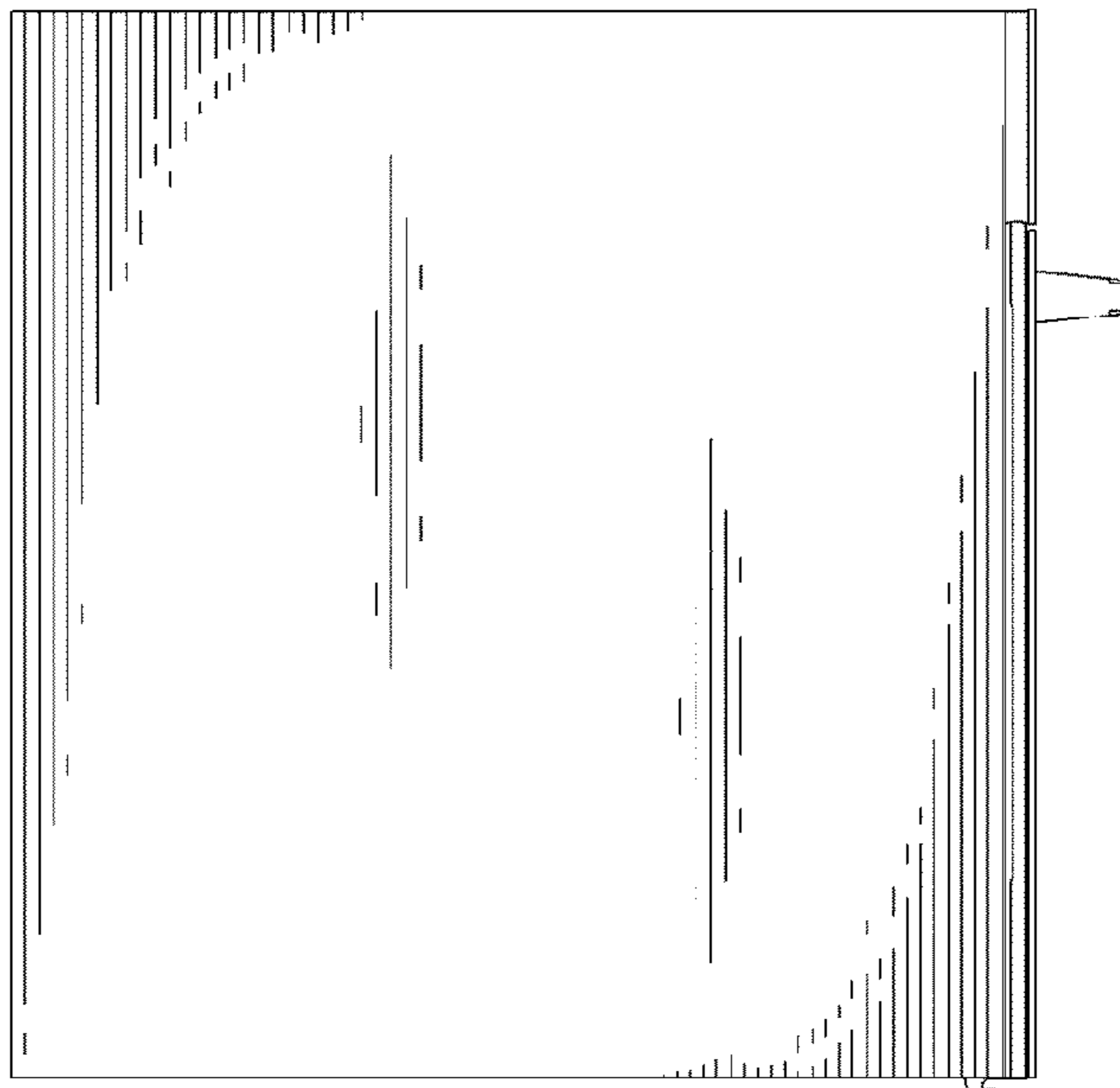


FIG. 5

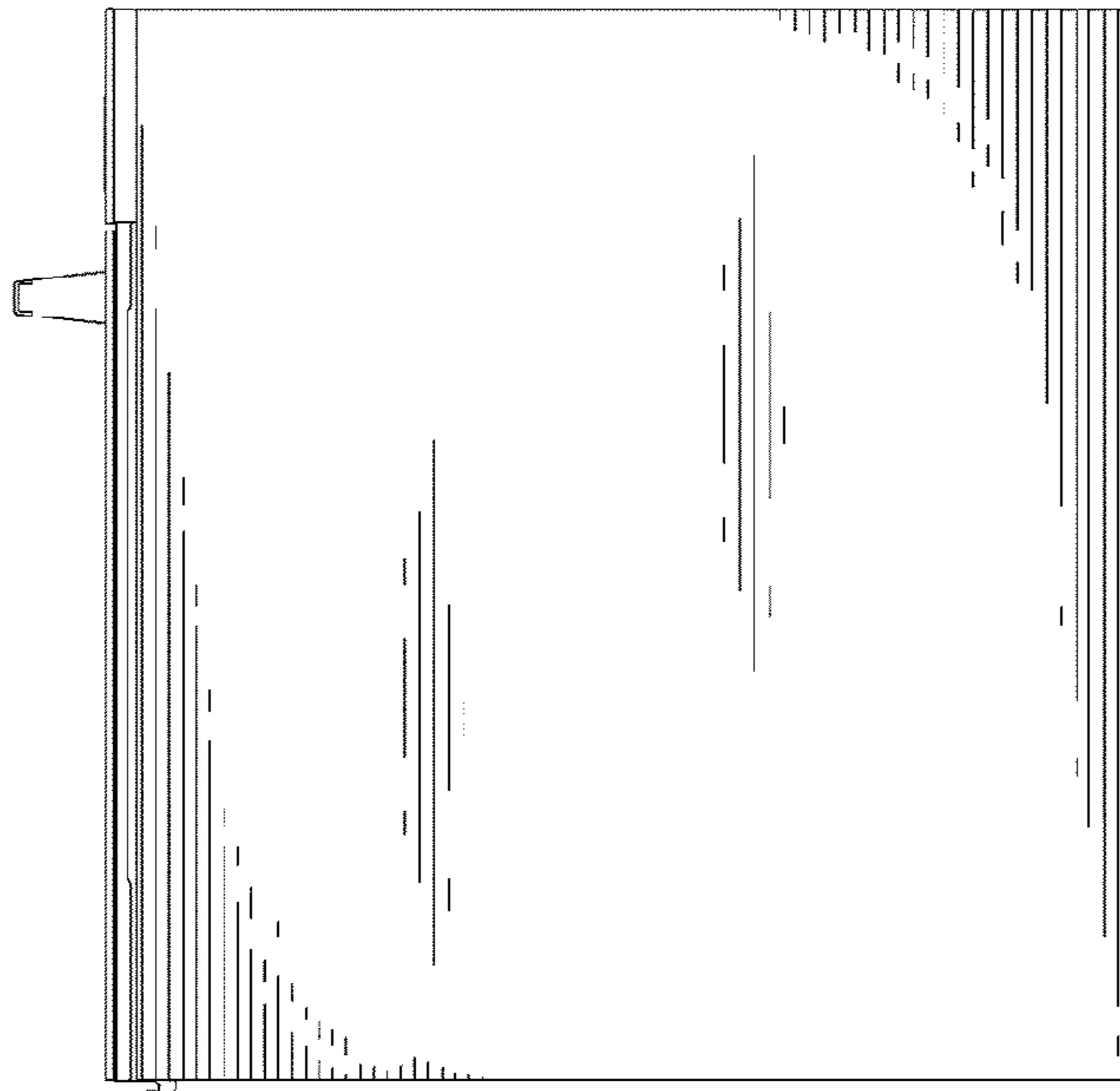


FIG. 6

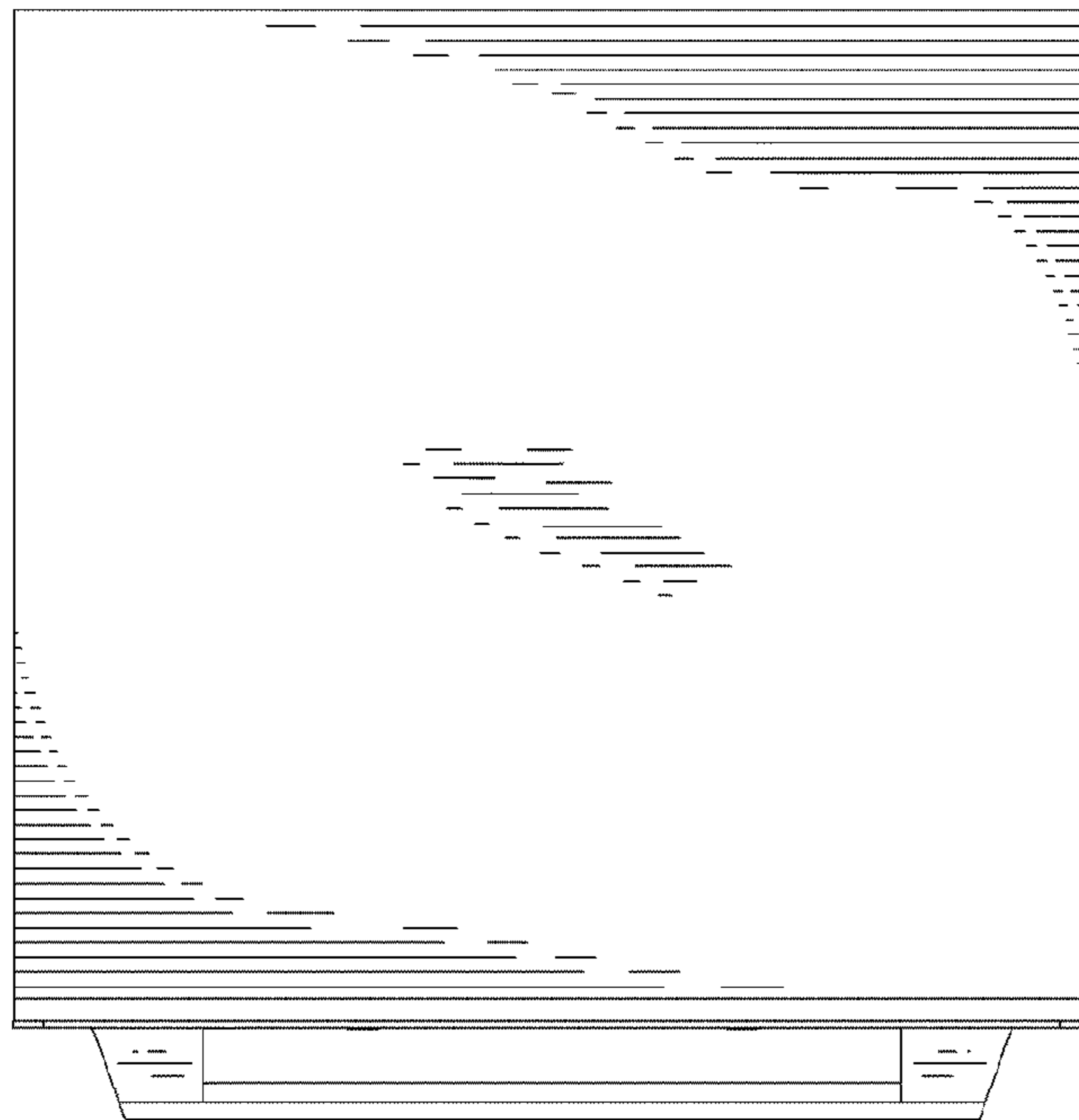


FIG. 7

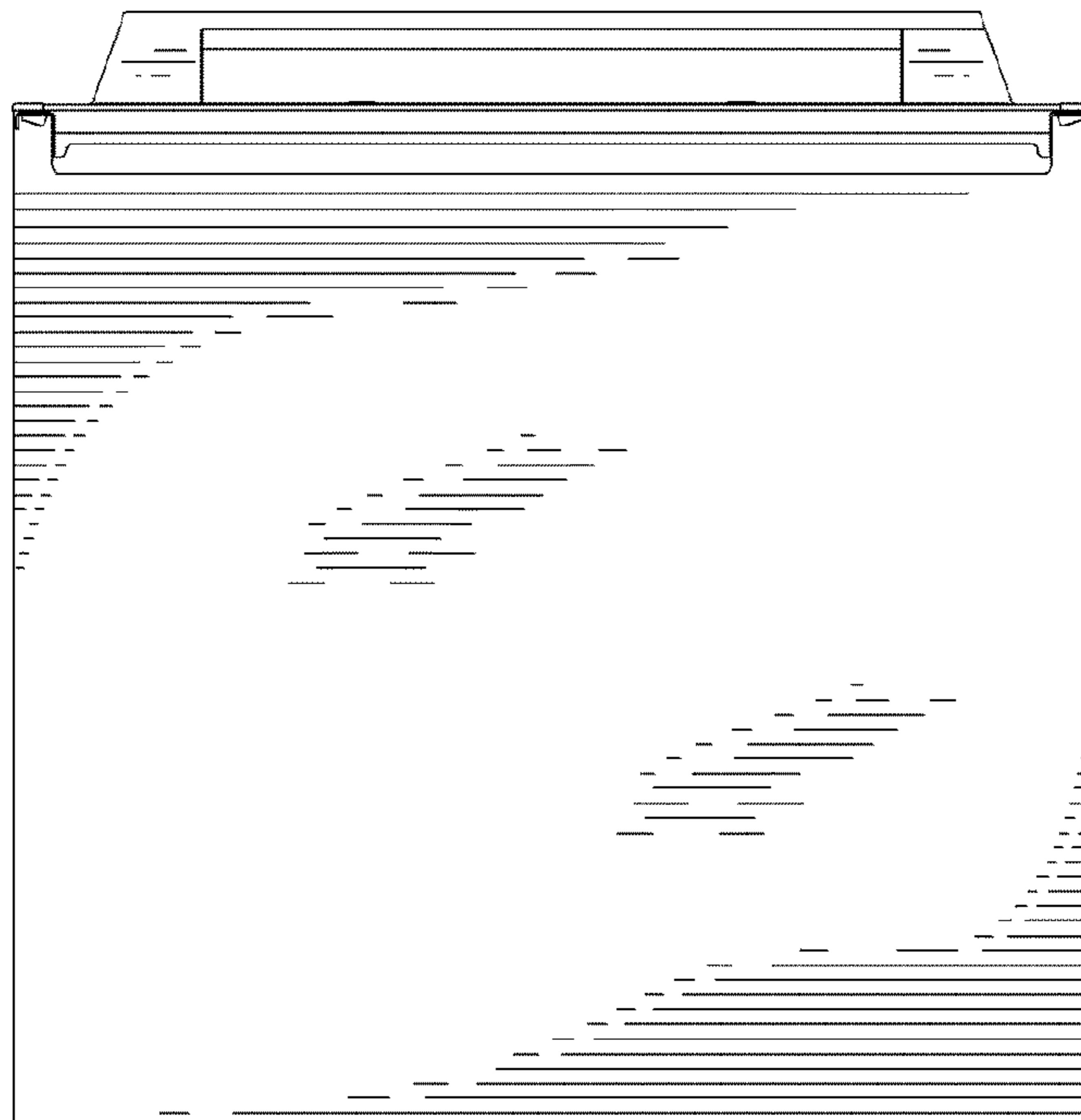


FIG. 8

