



US00D646111S

(12) **United States Design Patent**
Kim et al.

(10) **Patent No.:** **US D646,111 S**

(45) **Date of Patent:** **** Oct. 4, 2011**

(54) **OVEN RANGE**

(56) **References Cited**

(75) Inventors: **Myungshik Kim**, Seoul (KR);
Sangmoon Jeong, Gyeonggi-do (KR);
Eugene Suh, Seoul (KR); **Inhyeuk Choi**, Seoul (KR)

U.S. PATENT DOCUMENTS

D523,685	S	*	6/2006	Jung et al.	D7/340
D525,477	S	*	7/2006	Kim	D7/351
D526,527	S	*	8/2006	Jung et al.	D7/348
D538,581	S	*	3/2007	Lee et al.	D7/340
D552,920	S	*	10/2007	Chung et al.	D7/348
D580,698	S	*	11/2008	Kim et al.	D7/348
D627,593	S	*	11/2010	Lee et al.	D7/340

(73) Assignee: **LG Electronics Inc.**, Seoul (KR)

* cited by examiner

(**) Term: **14 Years**

Primary Examiner — Catheri Oliver

(21) Appl. No.: **29/383,888**

(74) *Attorney, Agent, or Firm* — Birch, Stewart, Kolasch and Birch, LLP

(22) Filed: **Jan. 24, 2011**

(57) **CLAIM**

The ornamental design for a oven range, as shown and described.

(30) **Foreign Application Priority Data**

DESCRIPTION

Jul. 22, 2010 (KR) 30-2010-0032183

(51) **LOC (9) Cl.** **07-02**

(52) **U.S. Cl.** **D7/348**

(58) **Field of Classification Search** D7/339–348,
D7/402–408, 350.1–351; 126/19 R, 39 B,
126/39 C, 39 R, 273 R, 50

FIG. 1 is a top, front, perspective view of a oven range showing our new design;
FIG. 2 is a front view thereof;
FIG. 3 is a rear view thereof;
FIG. 4 is a left side view thereof;
FIG. 5 is a right side view thereof;
FIG. 6 is a top view thereof; and,
FIG. 7 is a bottom view thereof.

See application file for complete search history.

1 Claim, 7 Drawing Sheets

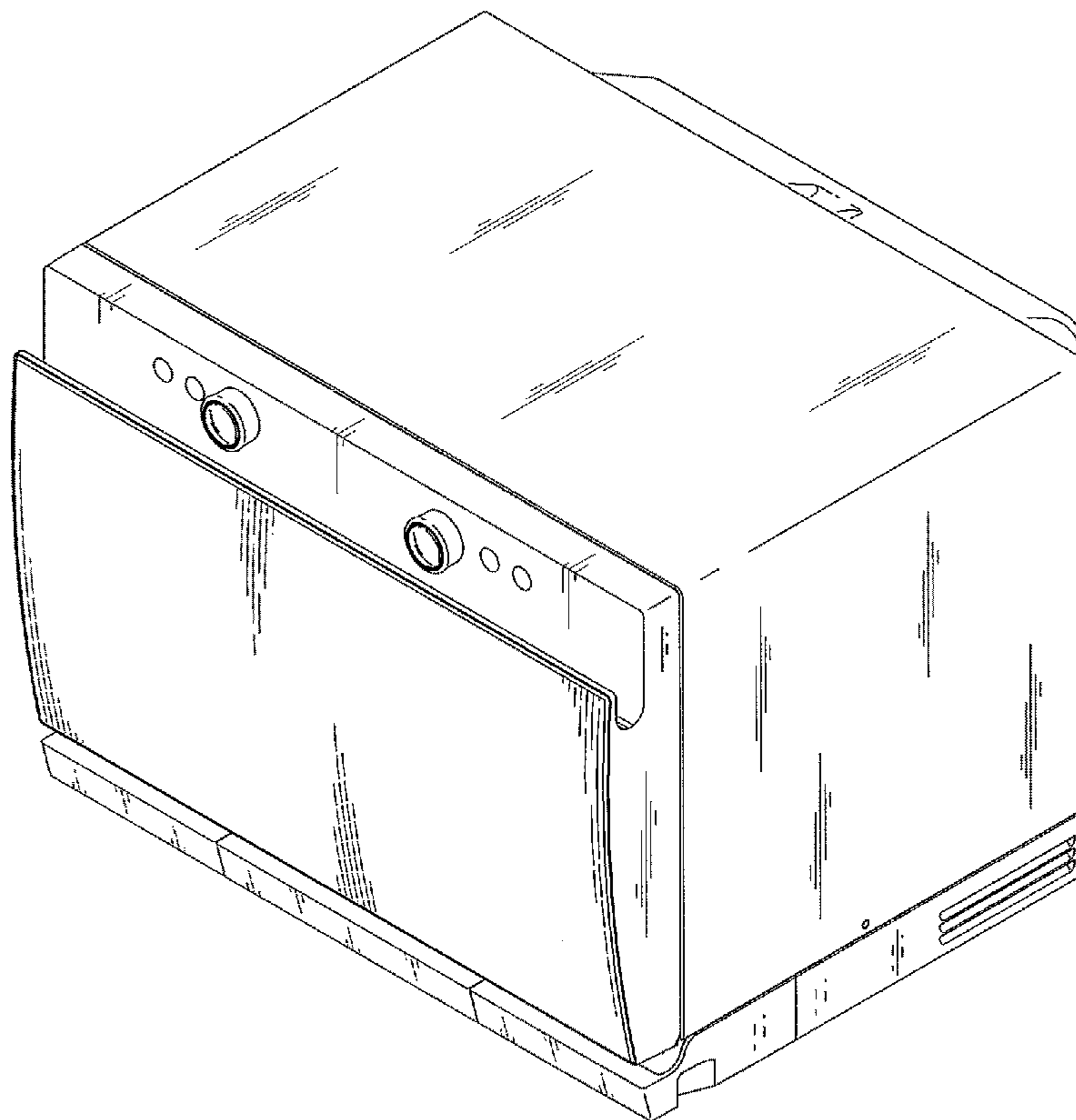


FIG. 1

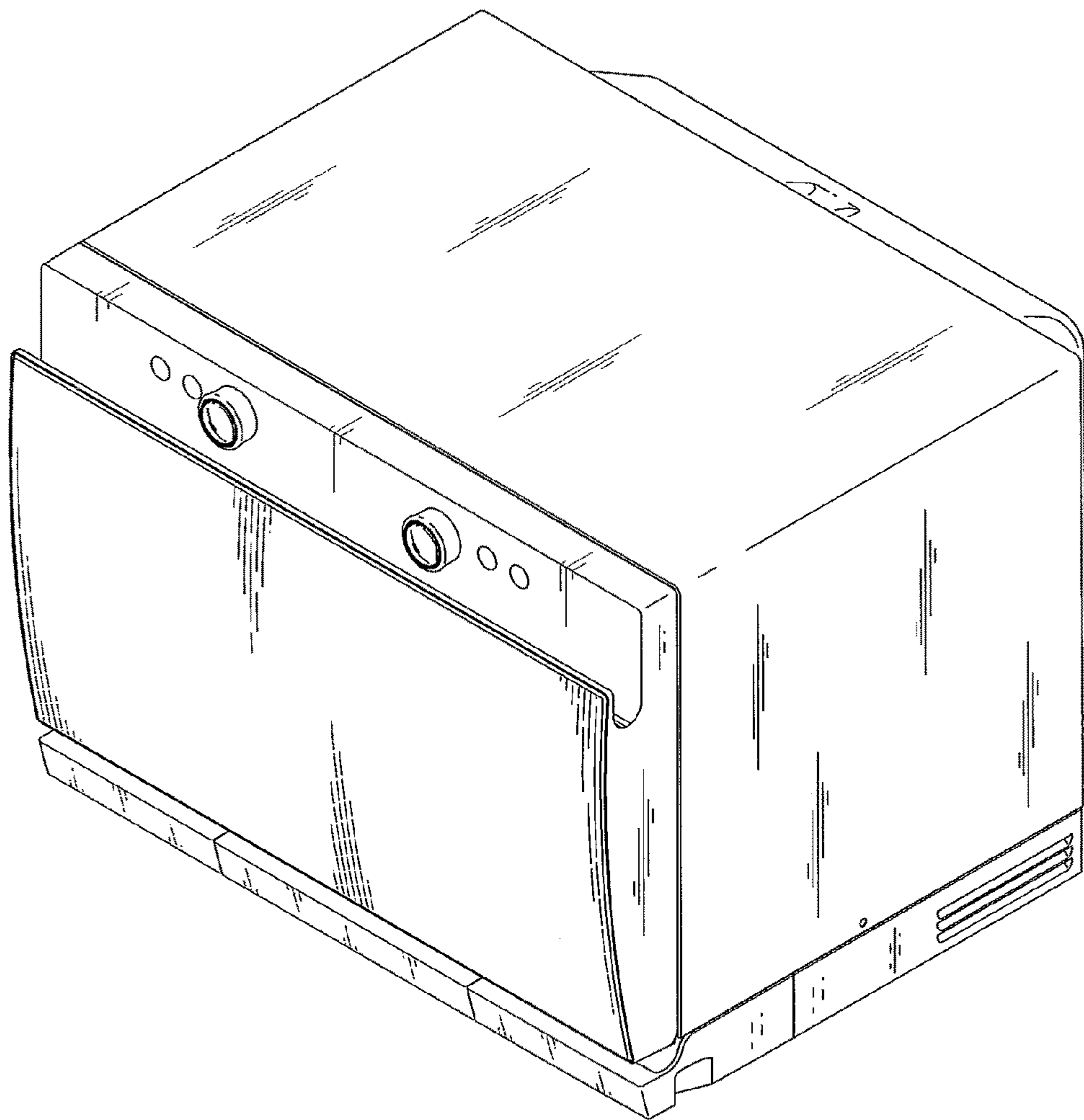


FIG. 2

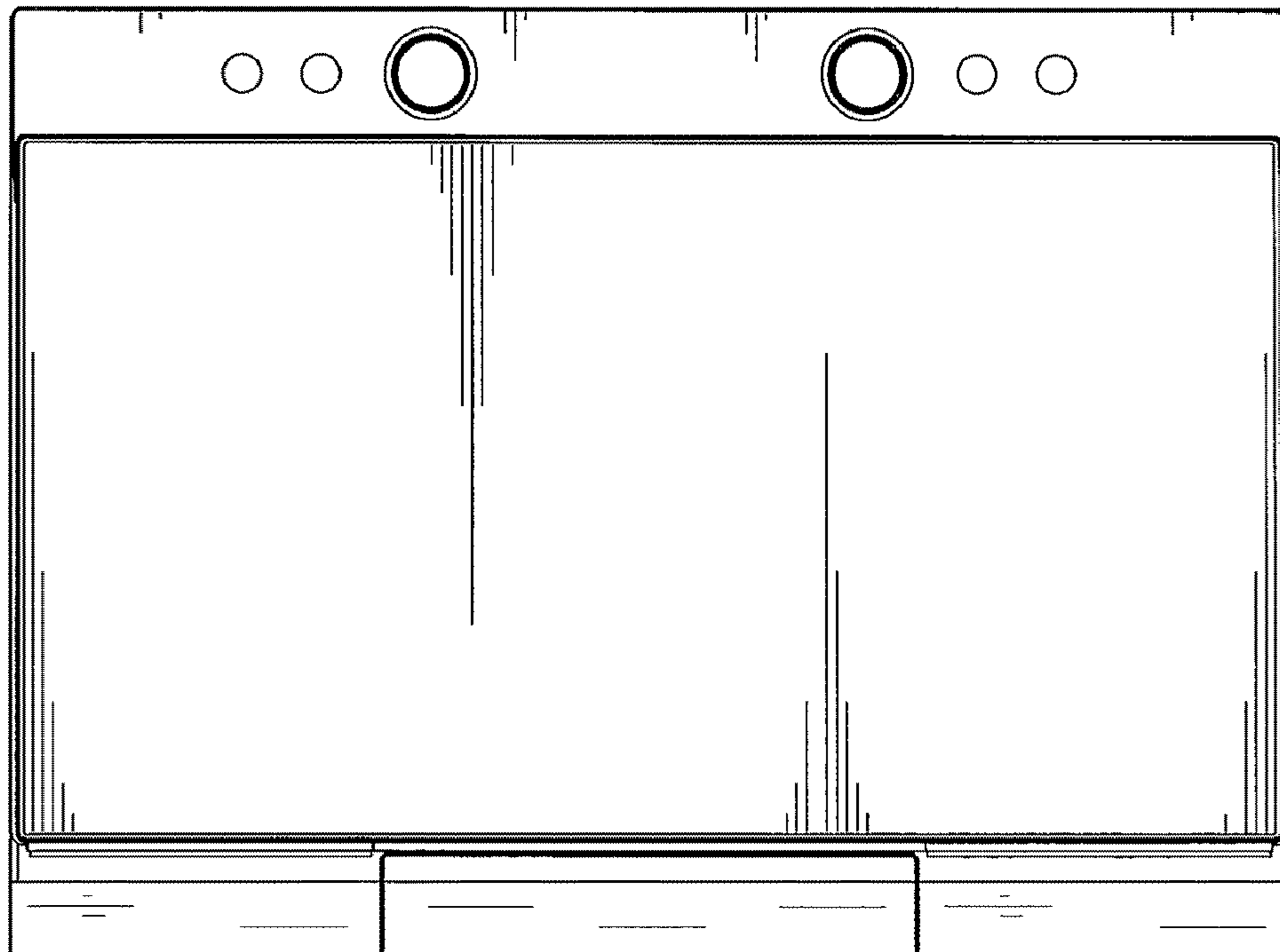


FIG. 3

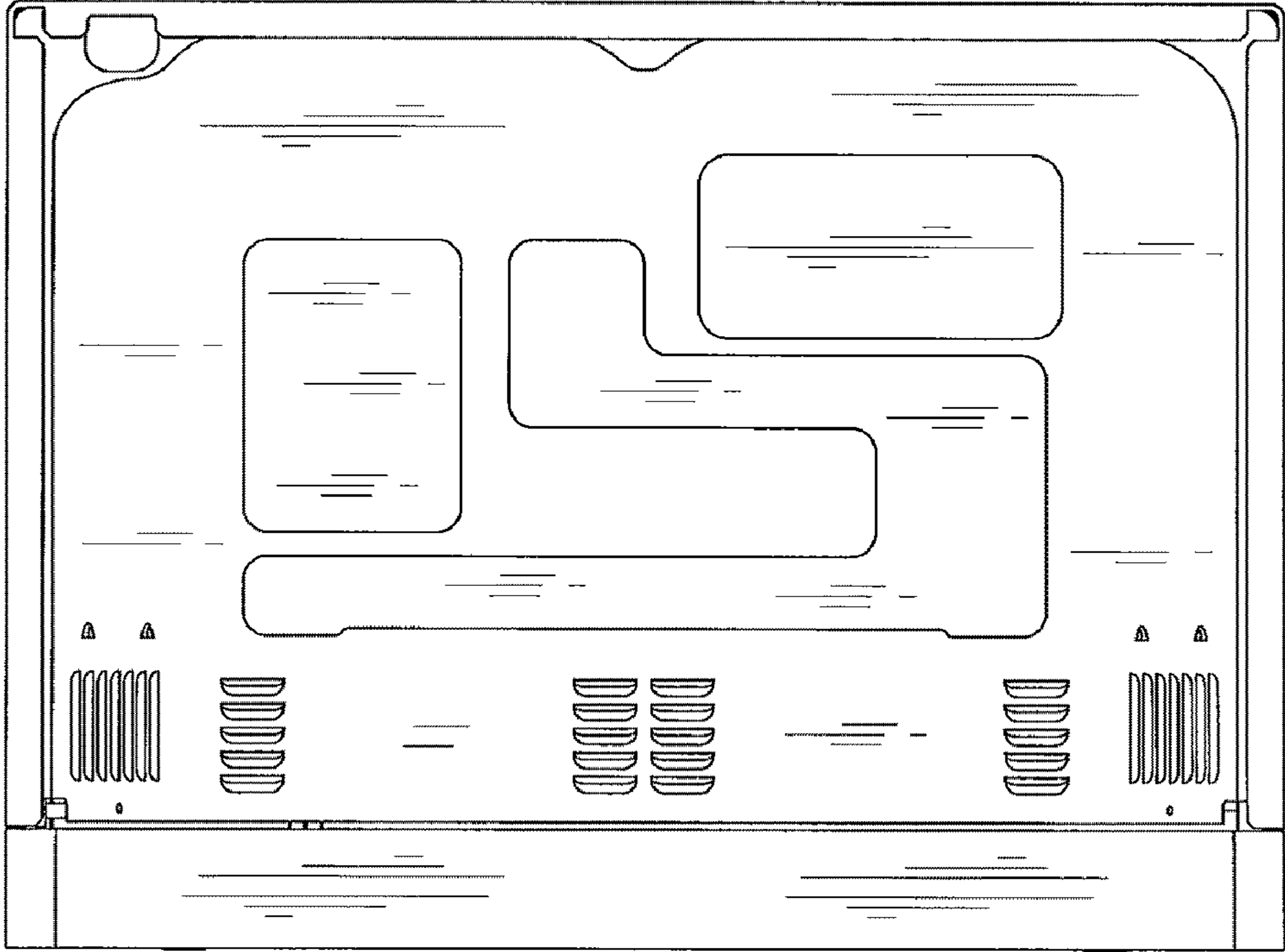


FIG. 4

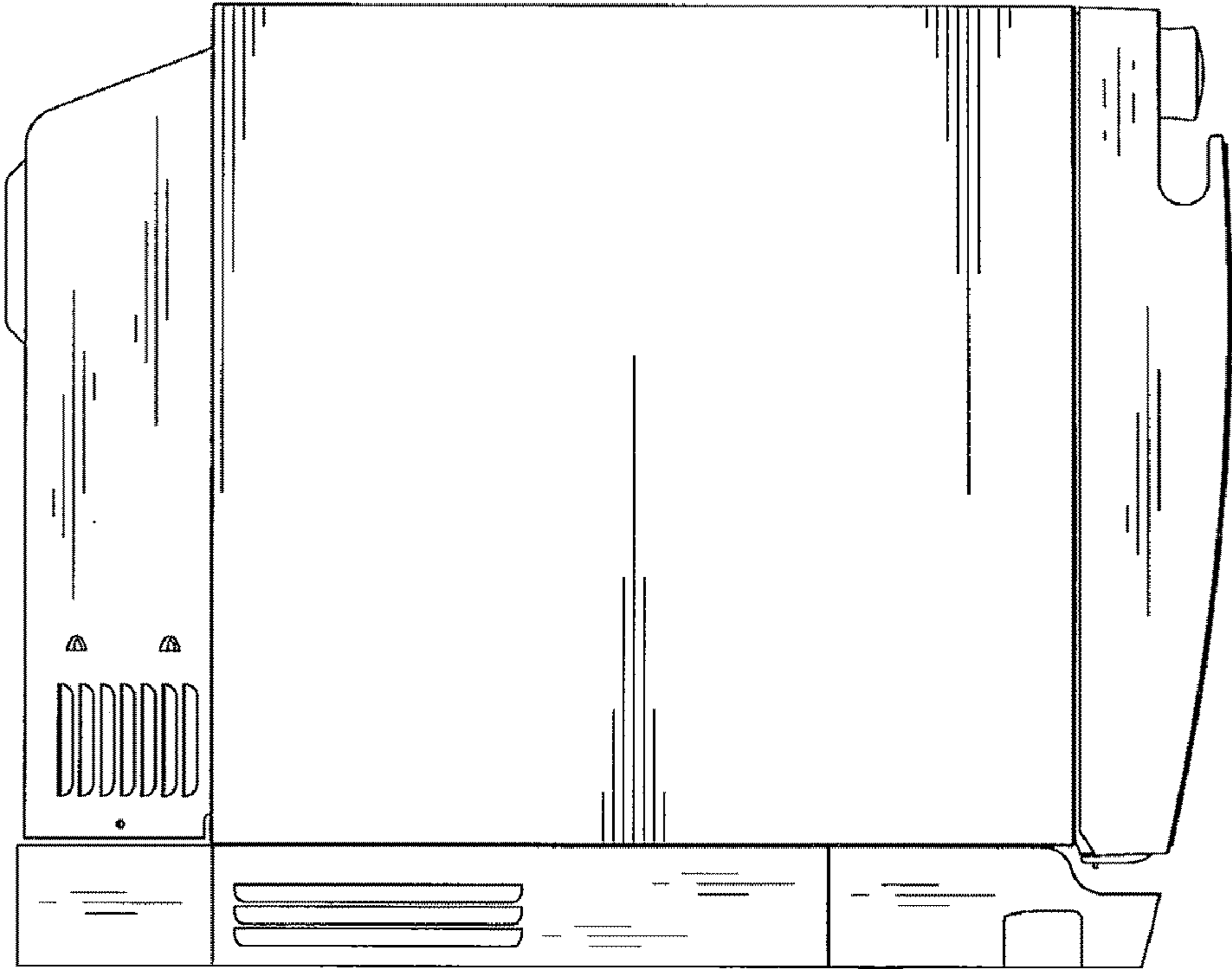


FIG. 5

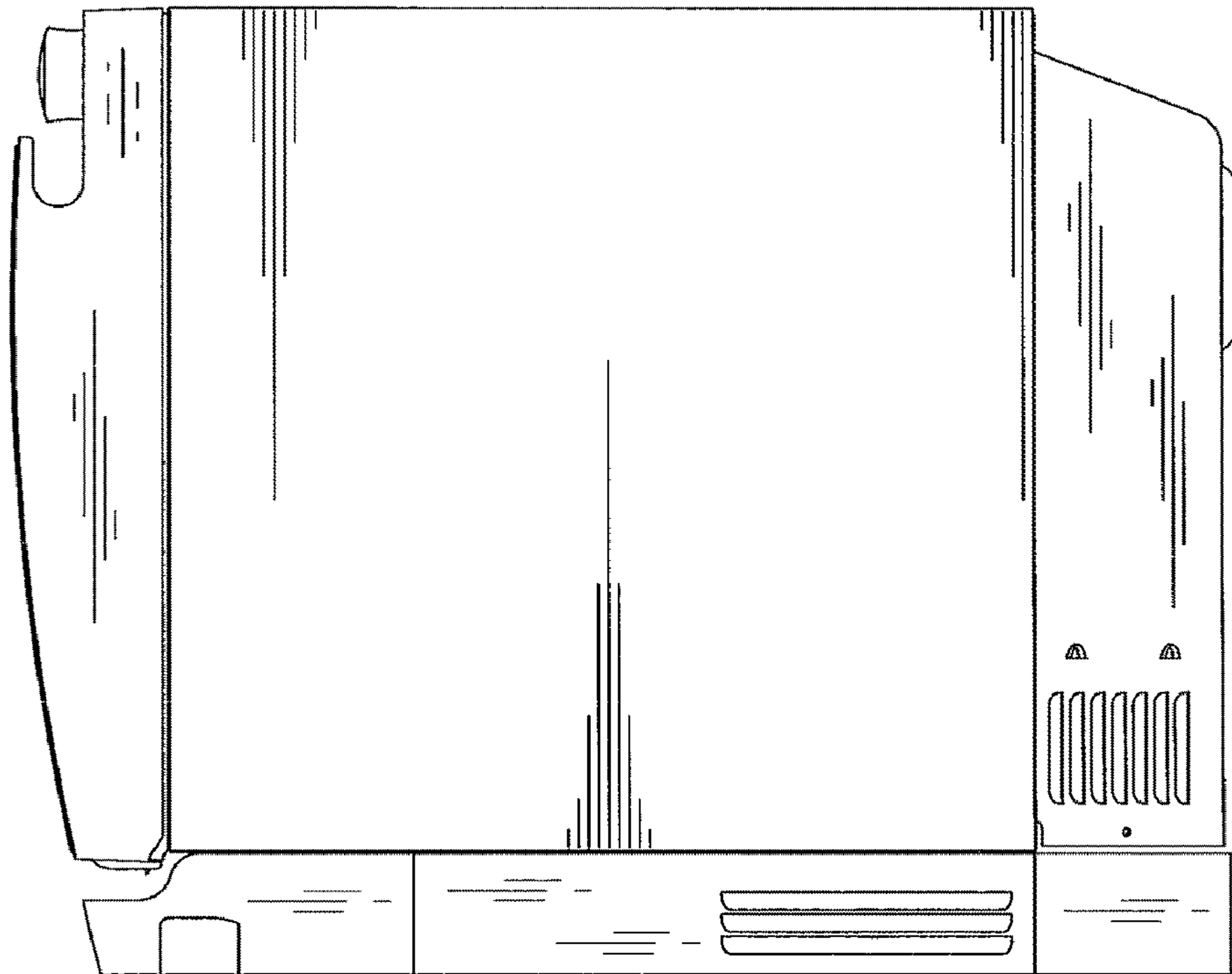


FIG. 6

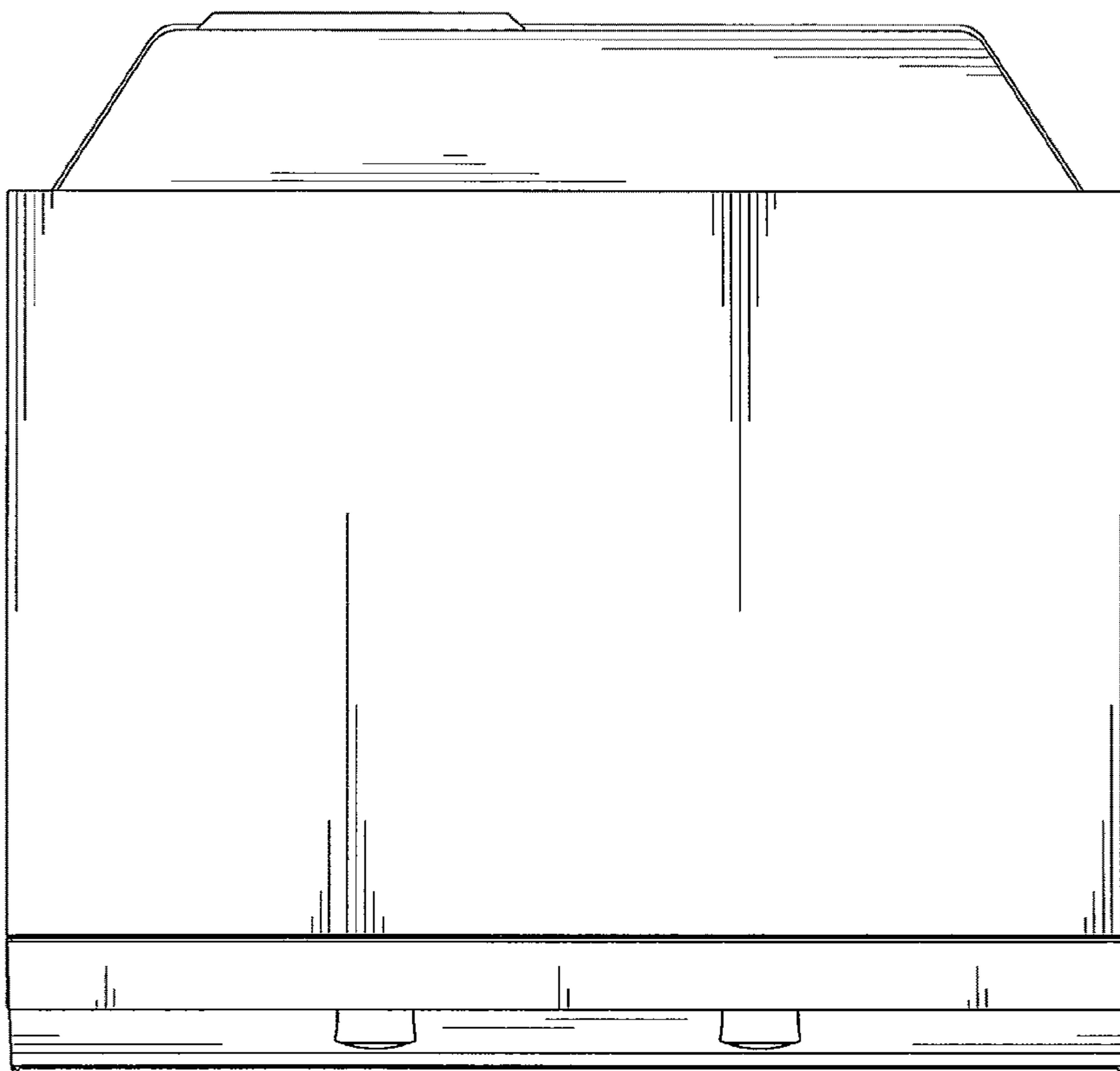


FIG. 7

