



US00D646110S

(12) **United States Design Patent**
Munro

(10) **Patent No.:** **US D646,110 S**

(45) **Date of Patent:** **** Oct. 4, 2011**

(54) **CAFETIERE**

(75) **Inventor:** **Nick Munro**, Flintshire (GB)

(73) **Assignee:** **The Greenfield Group Limited**, North Wales (GB)

(**) **Term:** **14 Years**

(21) **Appl. No.:** **29/362,471**

(22) **Filed:** **May 26, 2010**

(30) **Foreign Application Priority Data**

Nov. 27, 2009 (EM) 1181861-0001

(51) **LOC (9) Cl.** **07-01**

(52) **U.S. Cl.** **D7/317; D7/319**

(58) **Field of Classification Search** D7/300,
D7/316-319; 222/465.1, 146.6; 426/431;
99/297, 319

See application file for complete search history.

(56) **References Cited**

U.S. PATENT DOCUMENTS

4,365,544	A	*	12/1982	Howitt	99/297
D294,447	S	*	3/1988	Kao	D7/317
D342,414	S	*	12/1993	Jorgensen	D7/317
D372,627	S	*	8/1996	Ireland	D7/319
D377,132	S	*	1/1997	Jørgensen	D7/318
D378,261	S	*	3/1997	Jørgensen	D7/319
D384,540	S	*	10/1997	Joergensen	D7/319
D386,040	S	*	11/1997	Joergensen	D7/317
D386,351	S	*	11/1997	Joergensen	D7/319
D405,641	S	*	2/1999	Brady	D7/319

D441,248	S	*	5/2001	Brady	D7/319
D448,601	S	*	10/2001	Yeh	D7/319
D448,603	S	*	10/2001	Yeh	D7/319
D449,957	S	*	11/2001	Yeh	D7/319
D458,074	S	*	6/2002	Bodum	D7/319
D458,505	S	*	6/2002	Bodum	D7/319
D559,028	S	*	1/2008	Appleton	D7/317
D559,030	S	*	1/2008	Bodum	D7/319
D565,887	S	*	4/2008	Bodum	D7/319
D566,454	S	*	4/2008	Bodum	D7/319
D610,860	S	*	3/2010	Bodum	D7/319
D612,660	S	*	3/2010	Bodum	D7/319
D628,846	S	*	12/2010	Bodum	D7/319

* cited by examiner

Primary Examiner — Marianne Pandozzi

(74) *Attorney, Agent, or Firm* — Notaro, Michalos & Zaccaria P.C.

(57) **CLAIM**

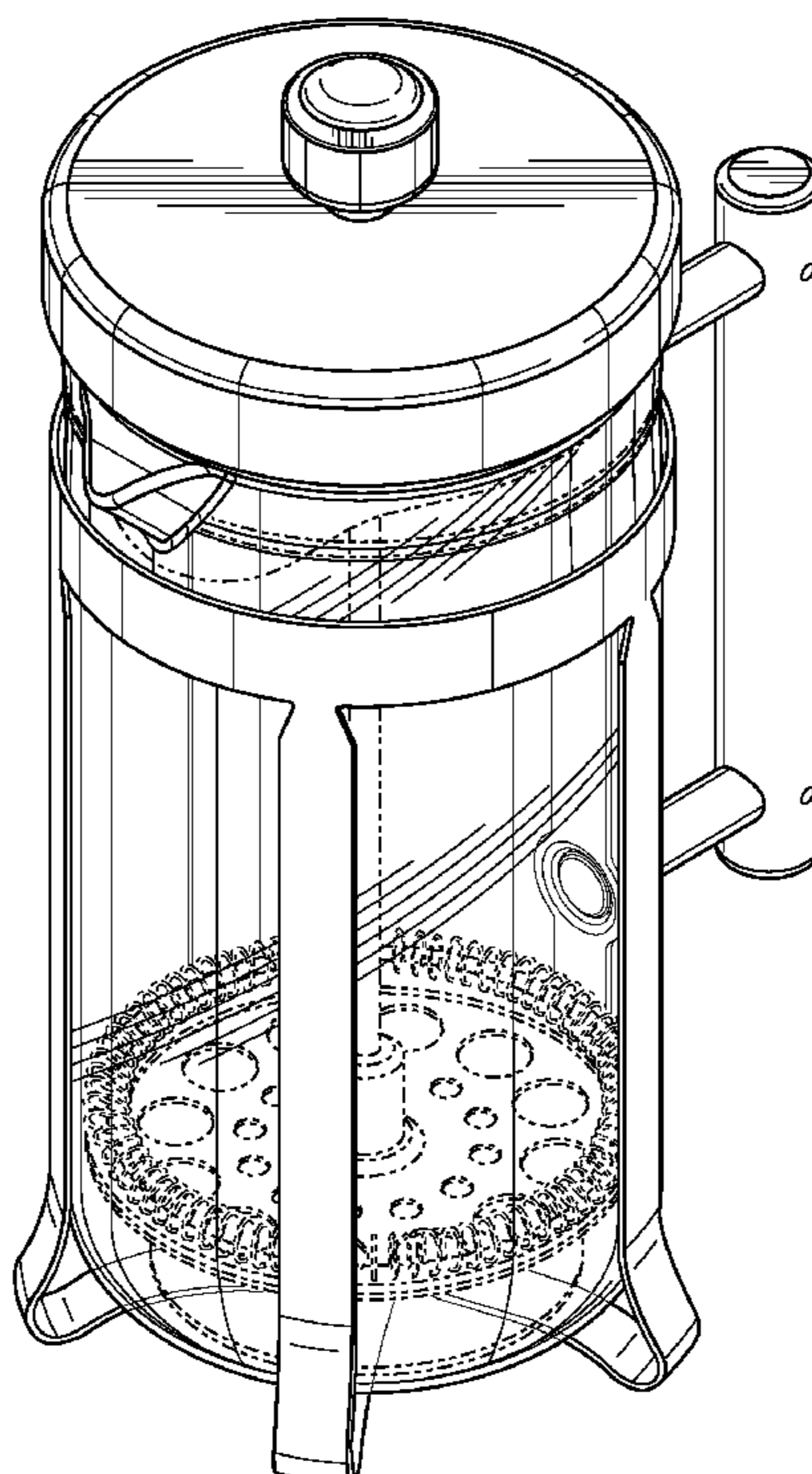
The ornamental design for a cafetiere, as shown and described.

DESCRIPTION

FIG. 1 is a top front right perspective view of a cafetiere showing my new design;
FIG. 2 is a right elevational view thereof;
FIG. 3 is a rear elevational view thereof;
FIG. 4 is a left elevational view thereof;
FIG. 5 is a front elevational view thereof;
FIG. 6 is a top plan view thereof; and,
FIG. 7 is a bottom plan view thereof.

The broken lines in the drawings are included for the purpose of illustration and form no part of the claimed design.

1 Claim, 7 Drawing Sheets



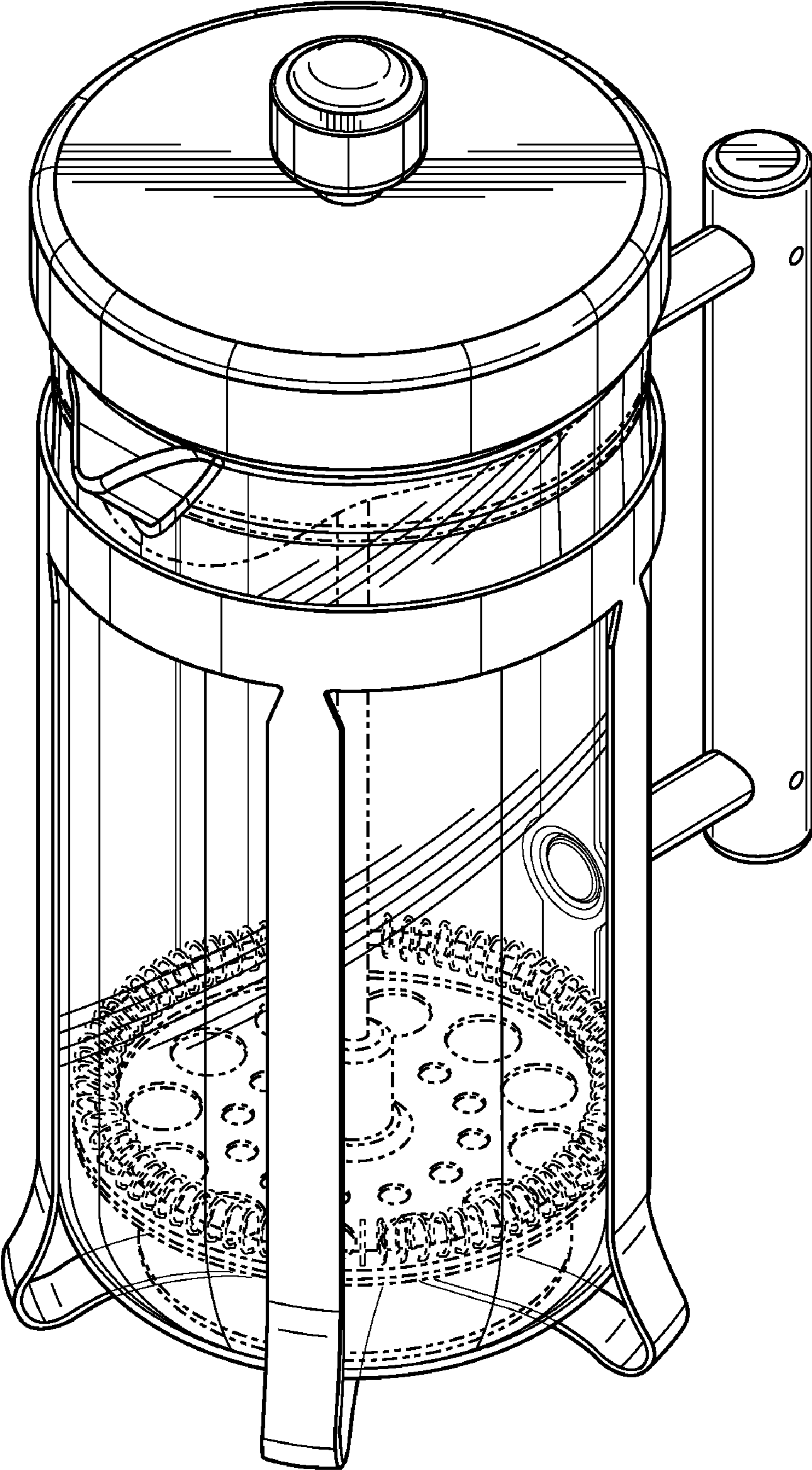


FIG. 1

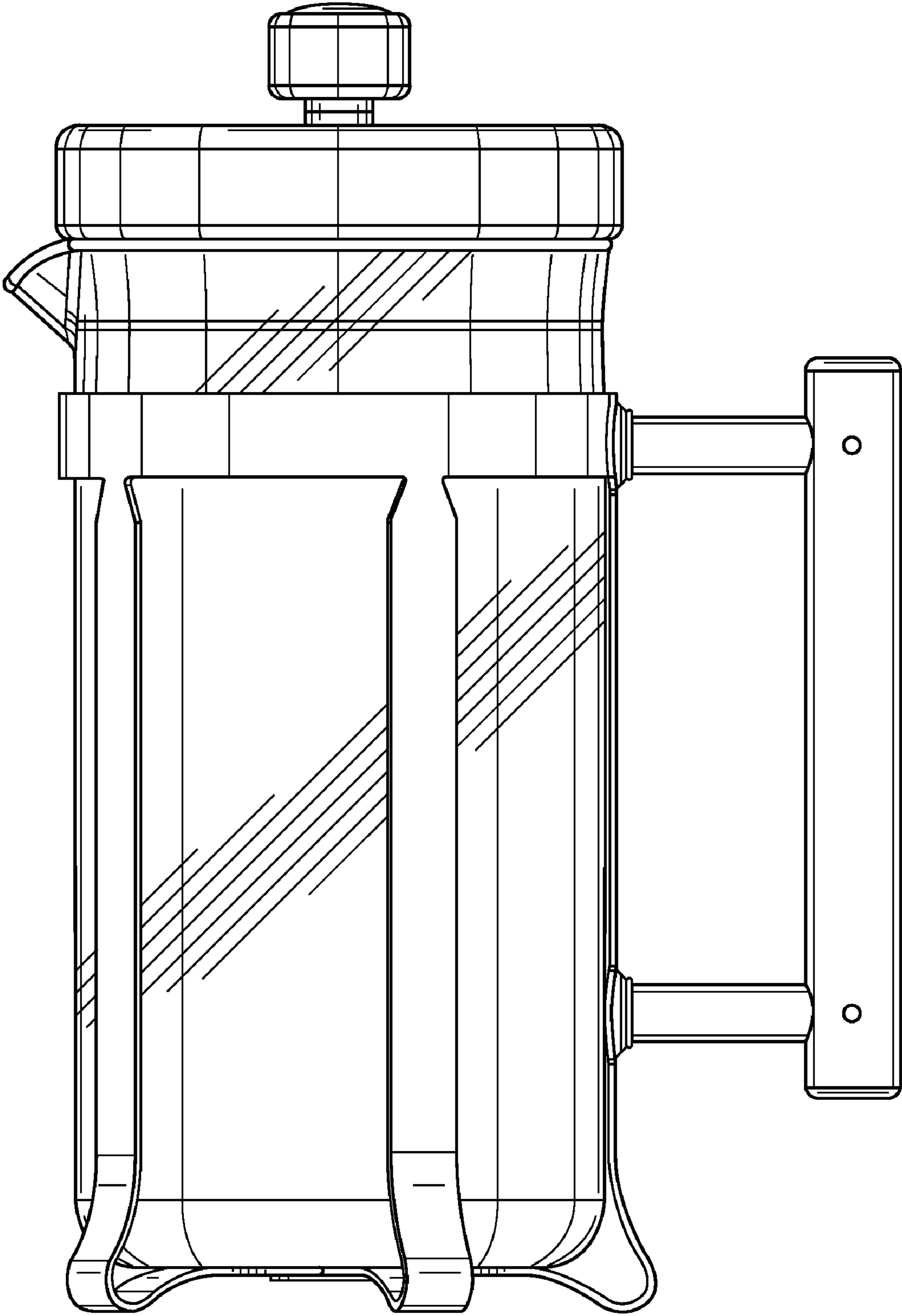


FIG. 2

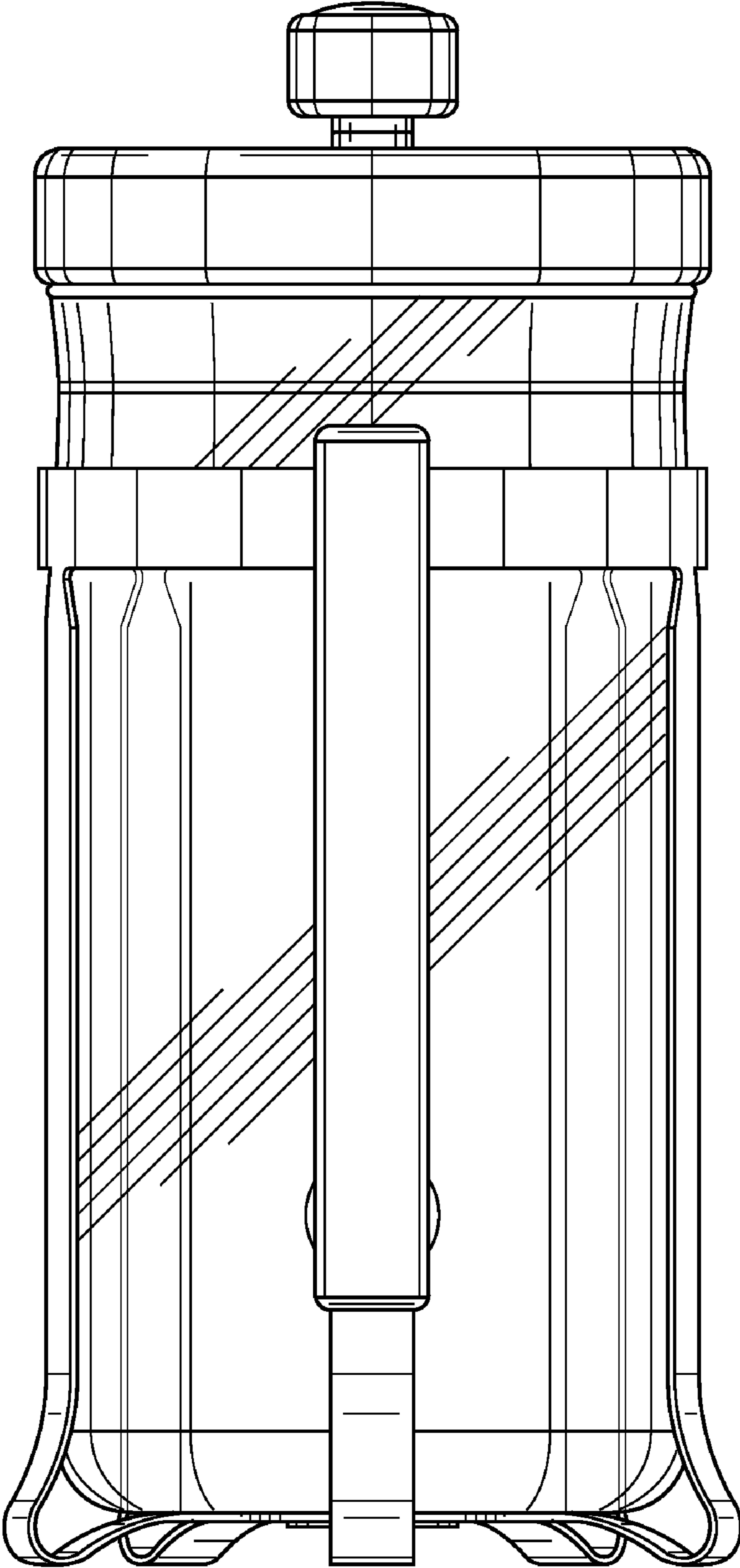


FIG. 3

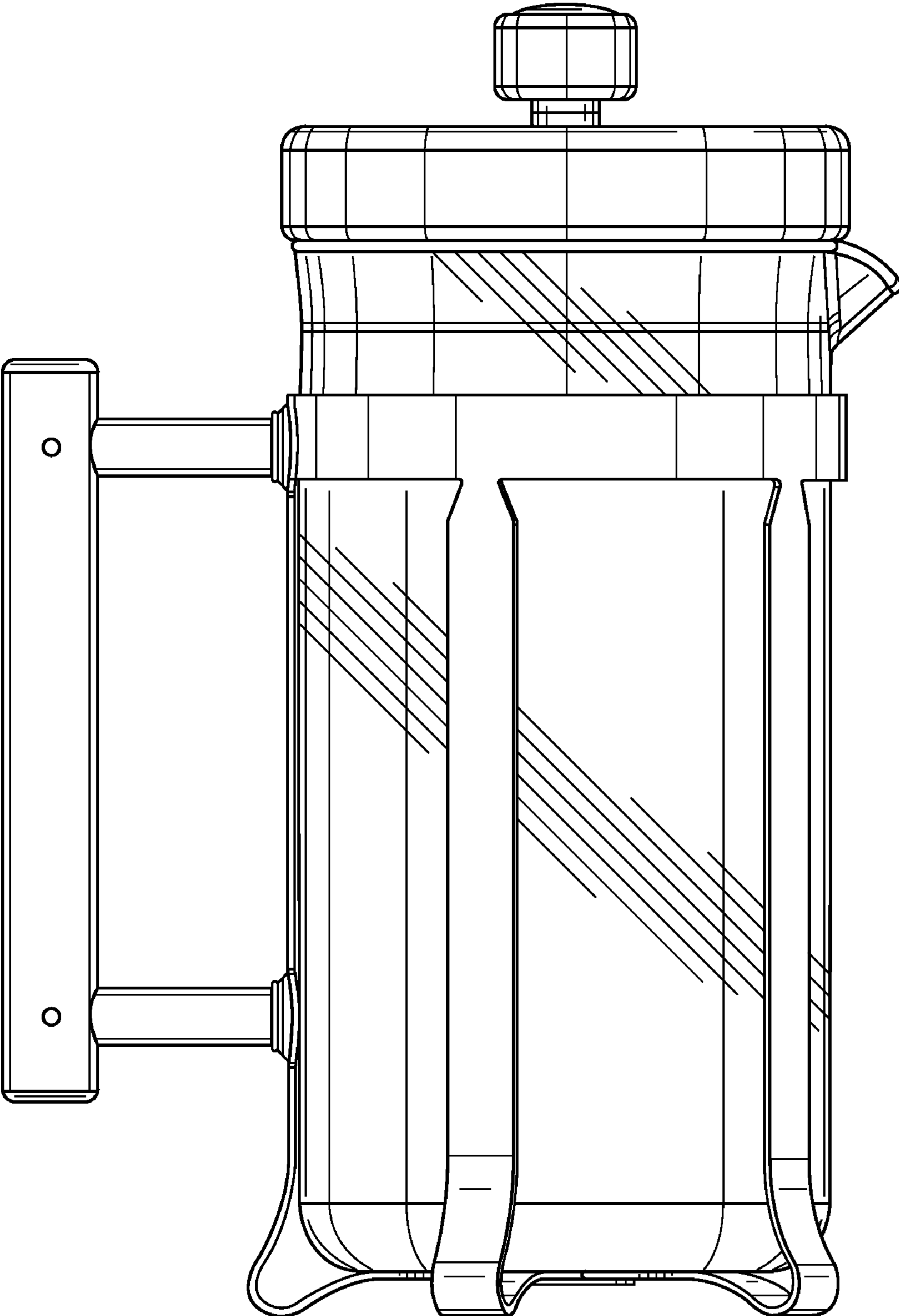


FIG. 4

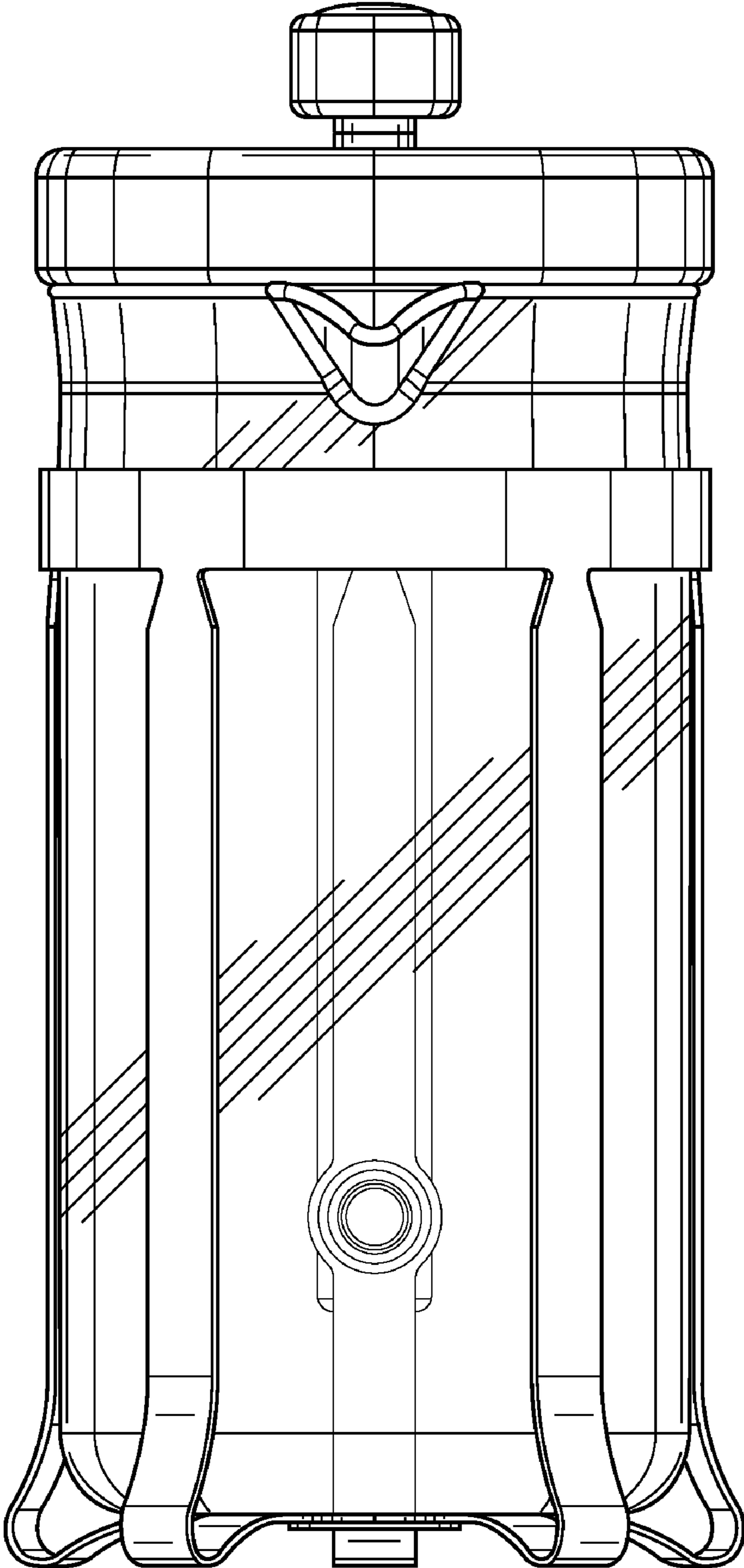


FIG. 5

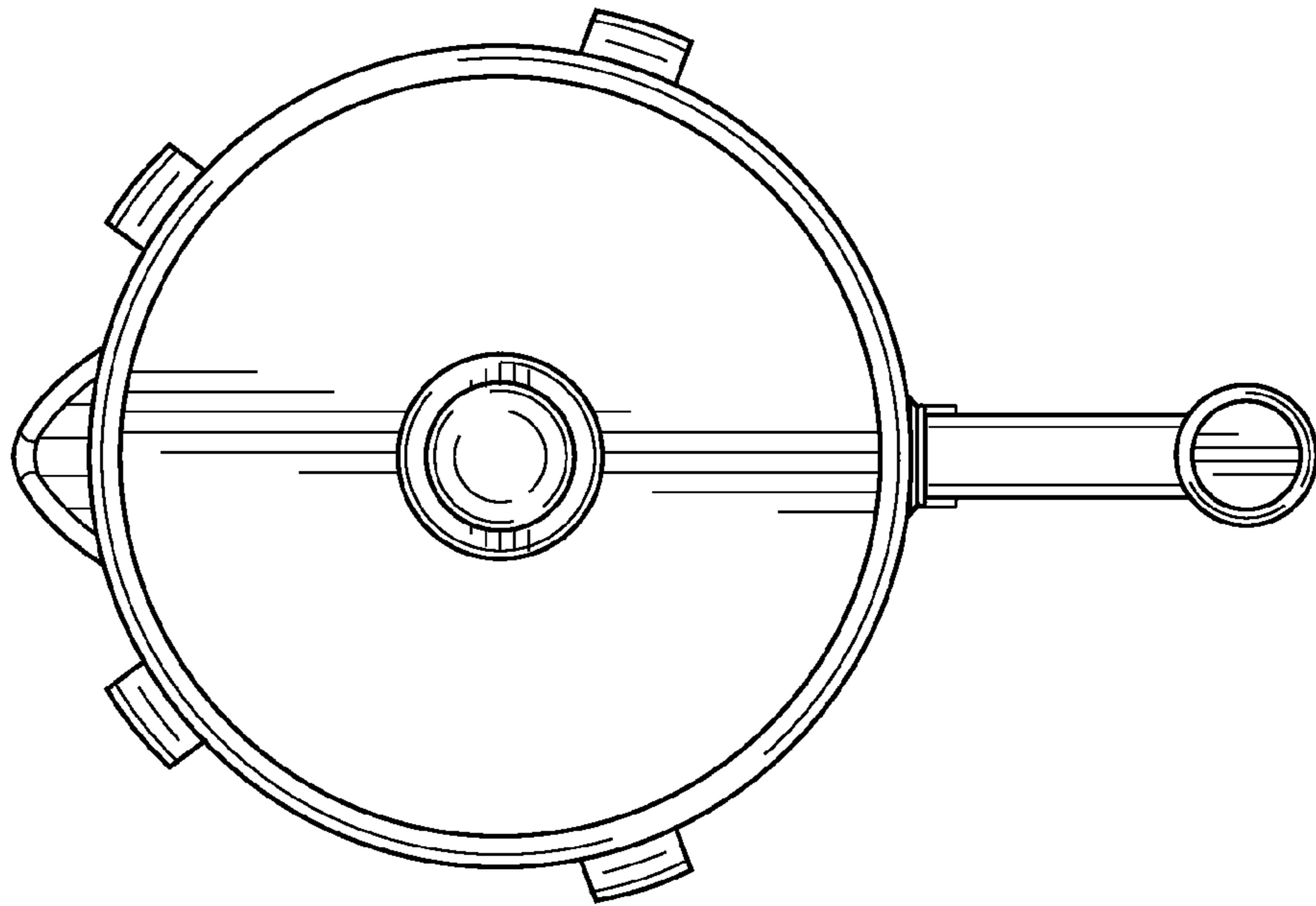


FIG. 6

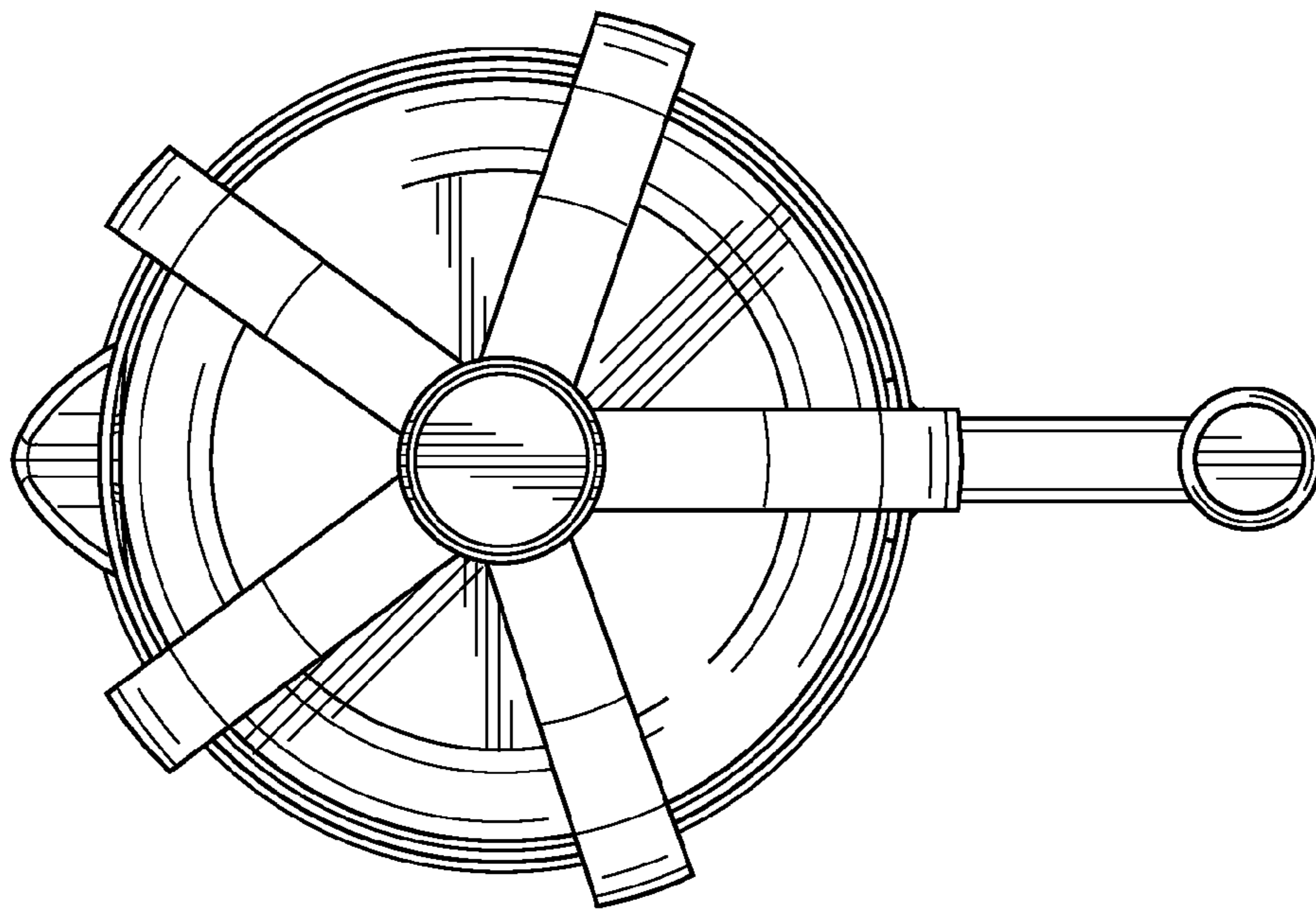


FIG. 7