



US00D646108S

(12) **United States Design Patent**
Zoppellari

(10) **Patent No.:** **US D646,108 S**

(45) **Date of Patent:** **** Oct. 4, 2011**

(54) **COFFEE MAKER**

(75) Inventor: **Tiziano Zoppellari**, Vittorio Veneto (IT)

(73) Assignee: **Koninklijke Philips Electronics N.V.**,
Eindhoven (NL)

(**) Term: **14 Years**

(21) Appl. No.: **29/380,059**

(22) Filed: **Nov. 30, 2010**

(30) **Foreign Application Priority Data**

Jun. 30, 2010 (EM) 001726373-0001

(51) **LOC (9) Cl.** **07-01**

(52) **U.S. Cl.** **D7/309; D7/311; D7/306**

(58) **Field of Classification Search** D7/309-311,
D7/306-308, 300; 99/293, 280, 300
See application file for complete search history.

(56) **References Cited**

U.S. PATENT DOCUMENTS

D481,580 S * 11/2003 Daniels et al. D7/309
D523,279 S * 6/2006 Zemp D7/309

D563,143 S * 3/2008 Tonelli D7/306
D577,244 S * 9/2008 Cahen D7/305
D584,096 S * 1/2009 Lutz D7/307
D586,604 S * 2/2009 Buttler D7/309
D587,511 S * 3/2009 Buttler D7/309
D595,991 S * 7/2009 Zimmerman D7/307
D602,727 S * 10/2009 Nicolini D7/307
D610,389 S * 2/2010 Borin et al. D7/309
D622,998 S * 9/2010 Ashbridge D7/306
D623,461 S * 9/2010 Ashbridge D7/306
D623,462 S * 9/2010 Ashbridge D7/306
7,946,219 B2 * 5/2011 Marconi 99/323.1

* cited by examiner

Primary Examiner — Marianne Pandozzi

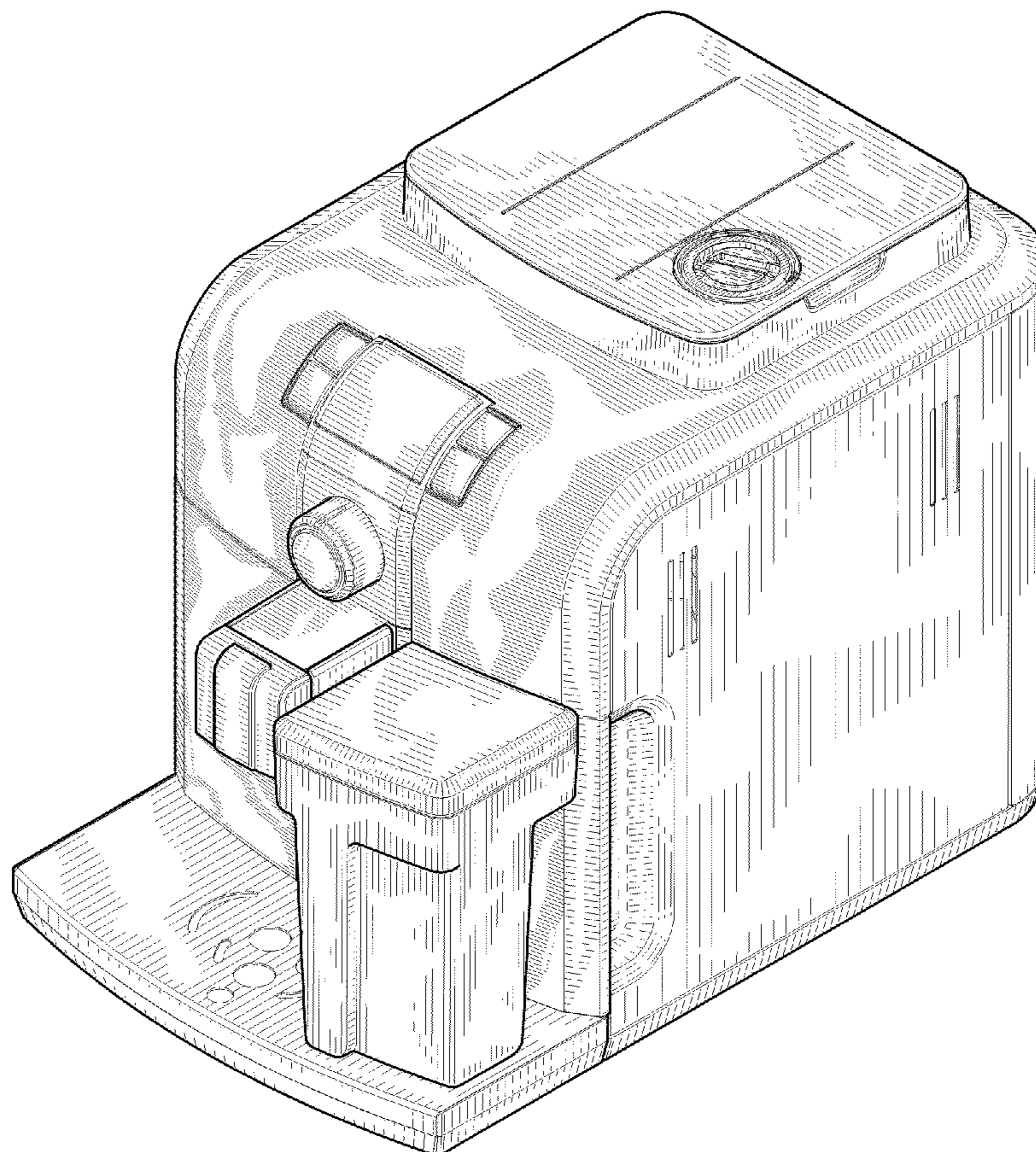
(57) **CLAIM**

The ornamental design for a coffee maker, as shown.

DESCRIPTION

FIG. 1 is a perspective view showing my design;
FIG. 2 is a front elevational view thereof;
FIG. 3 is a rear elevational view thereof;
FIG. 4 is a right side elevational view thereof;
FIG. 5 is a left side elevational view thereof;
FIG. 6 is a top plan view thereof; and,
FIG. 7 is a bottom plan view thereof.

1 Claim, 5 Drawing Sheets



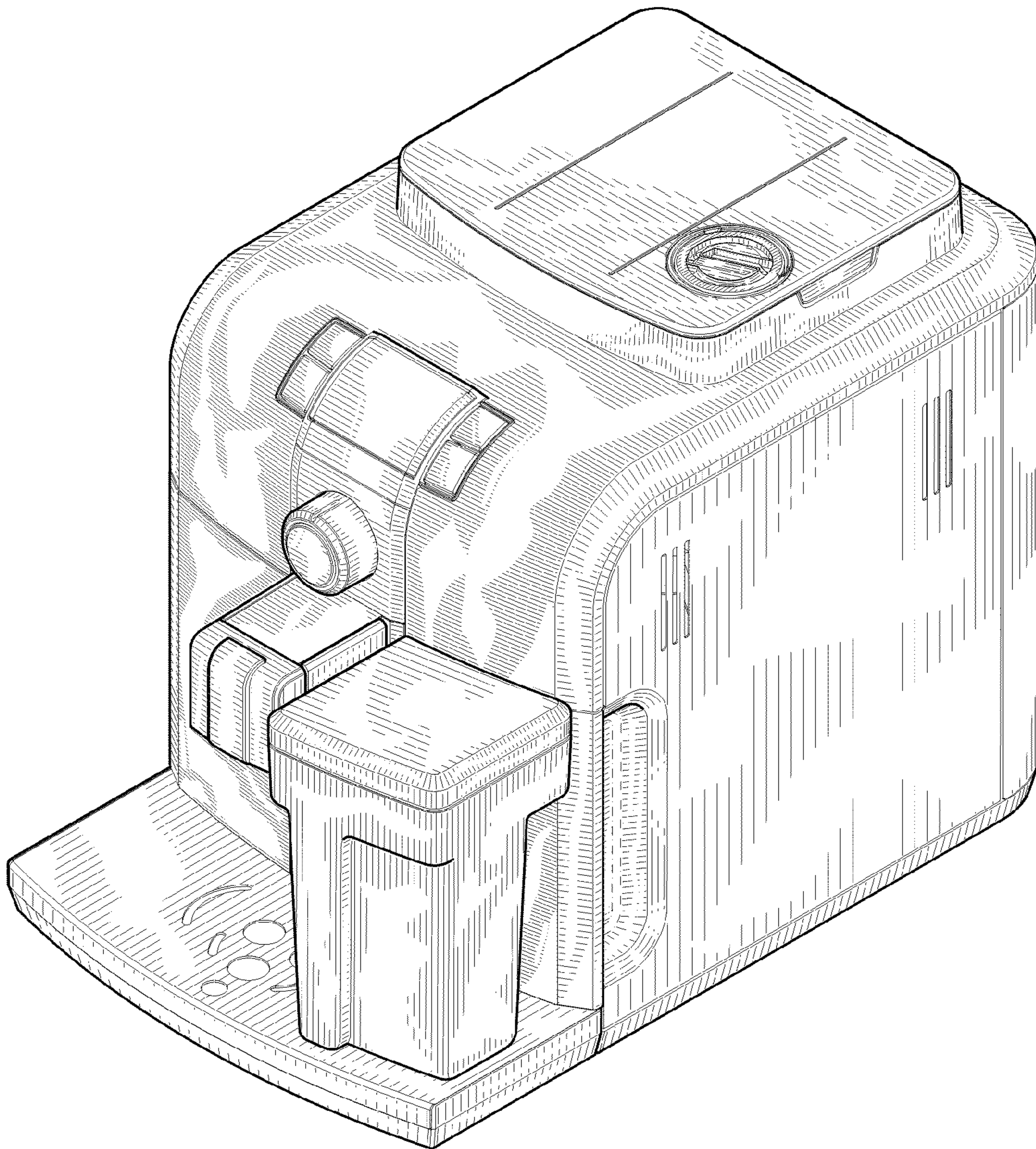


FIG. 1

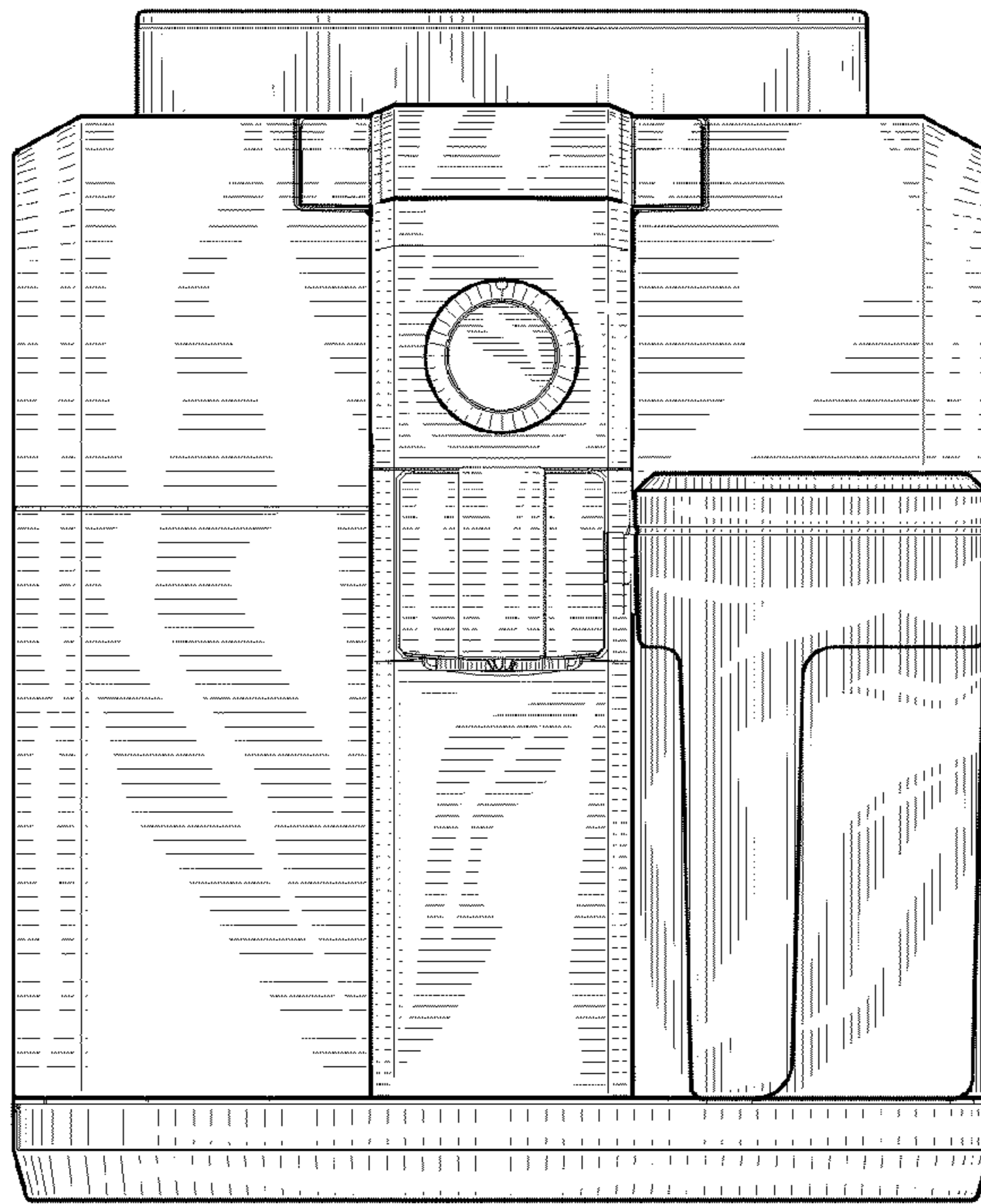


FIG. 2

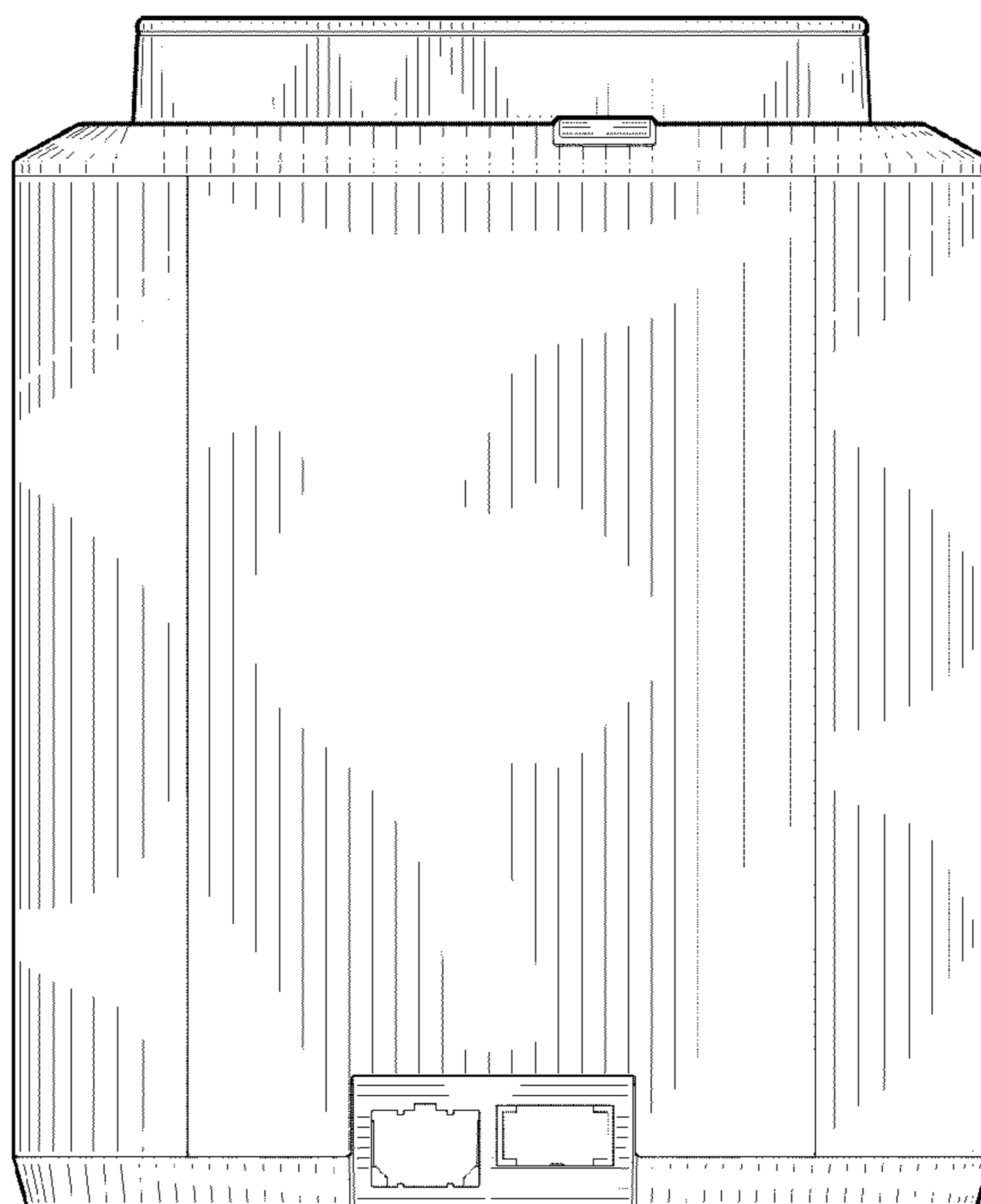


FIG. 3

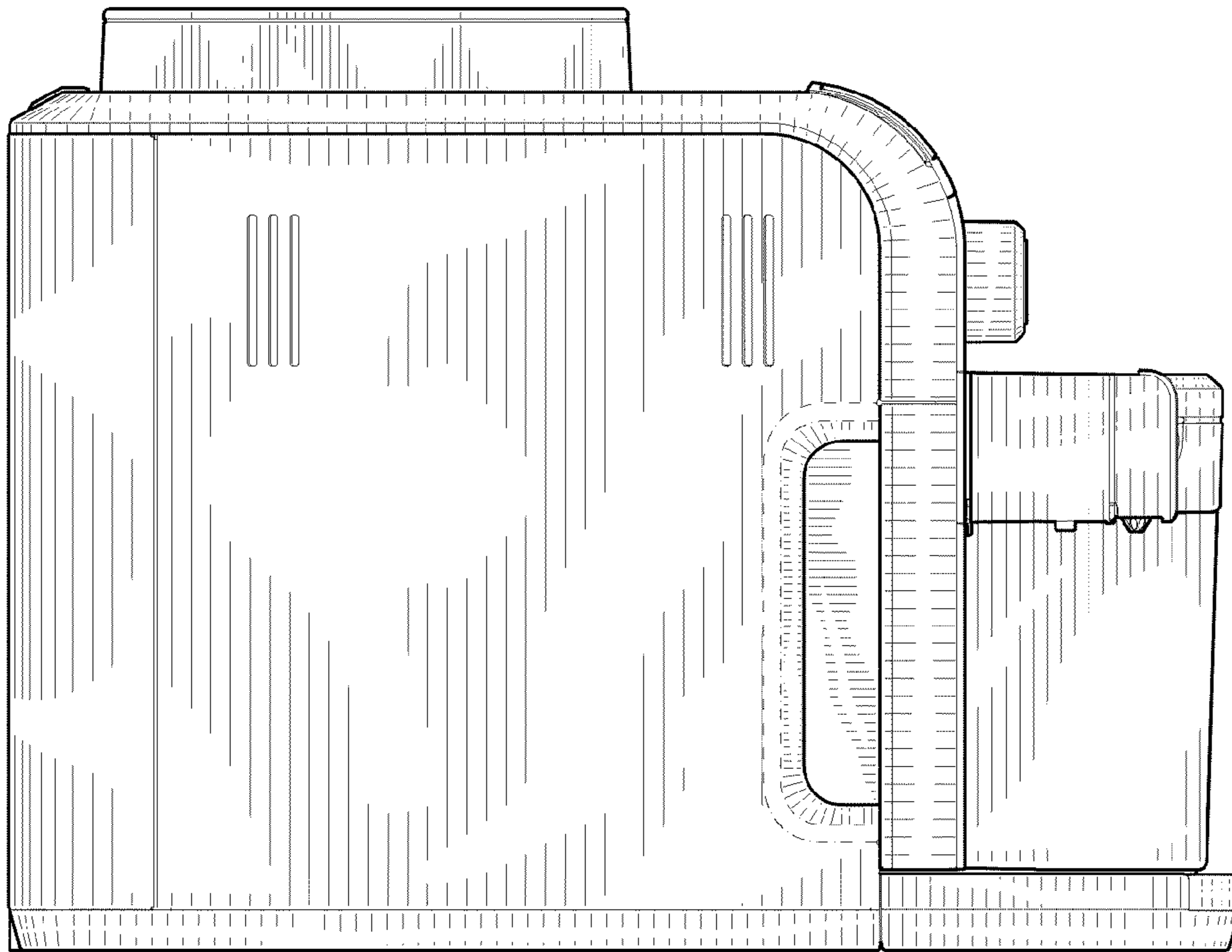


FIG. 4

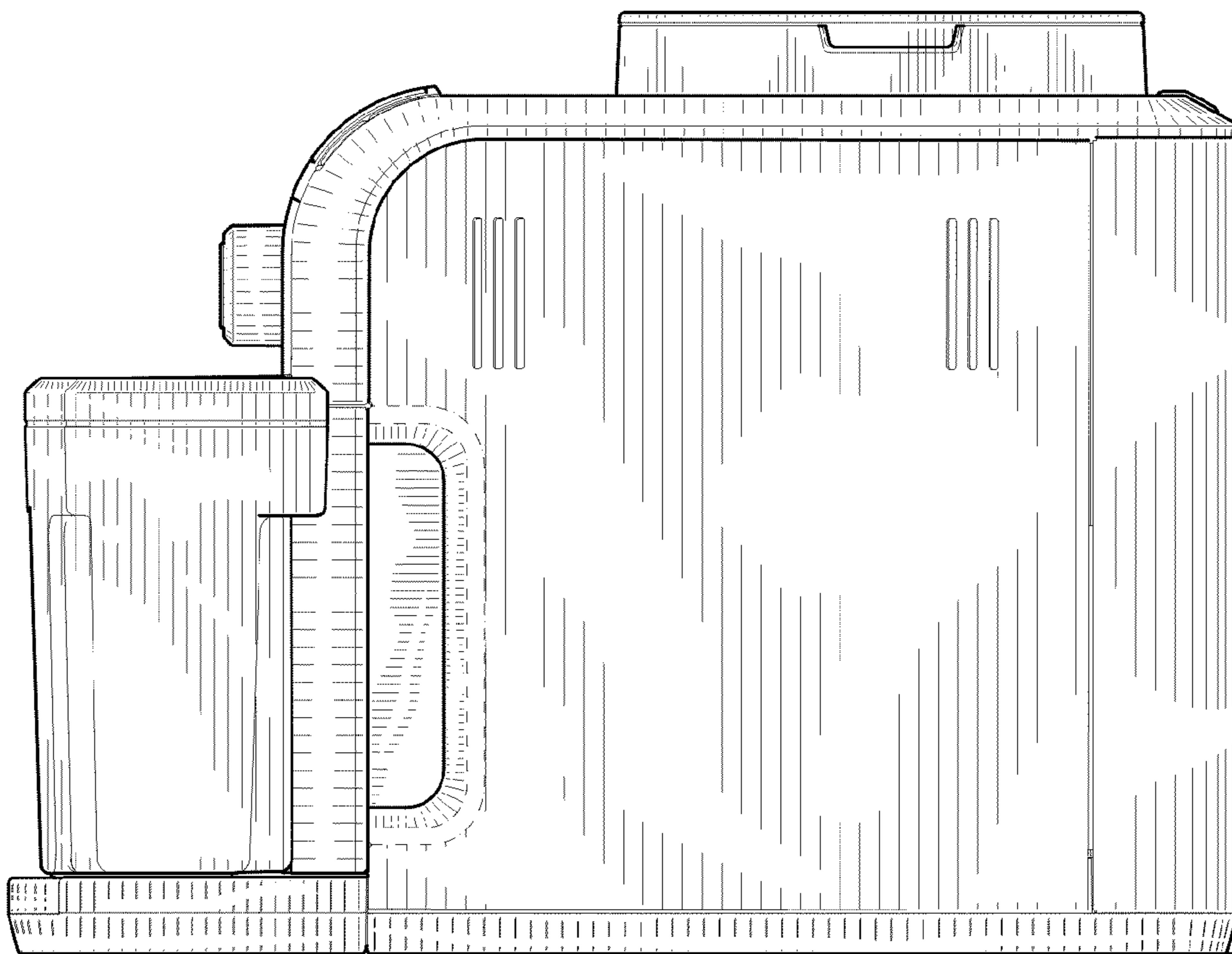


FIG. 5

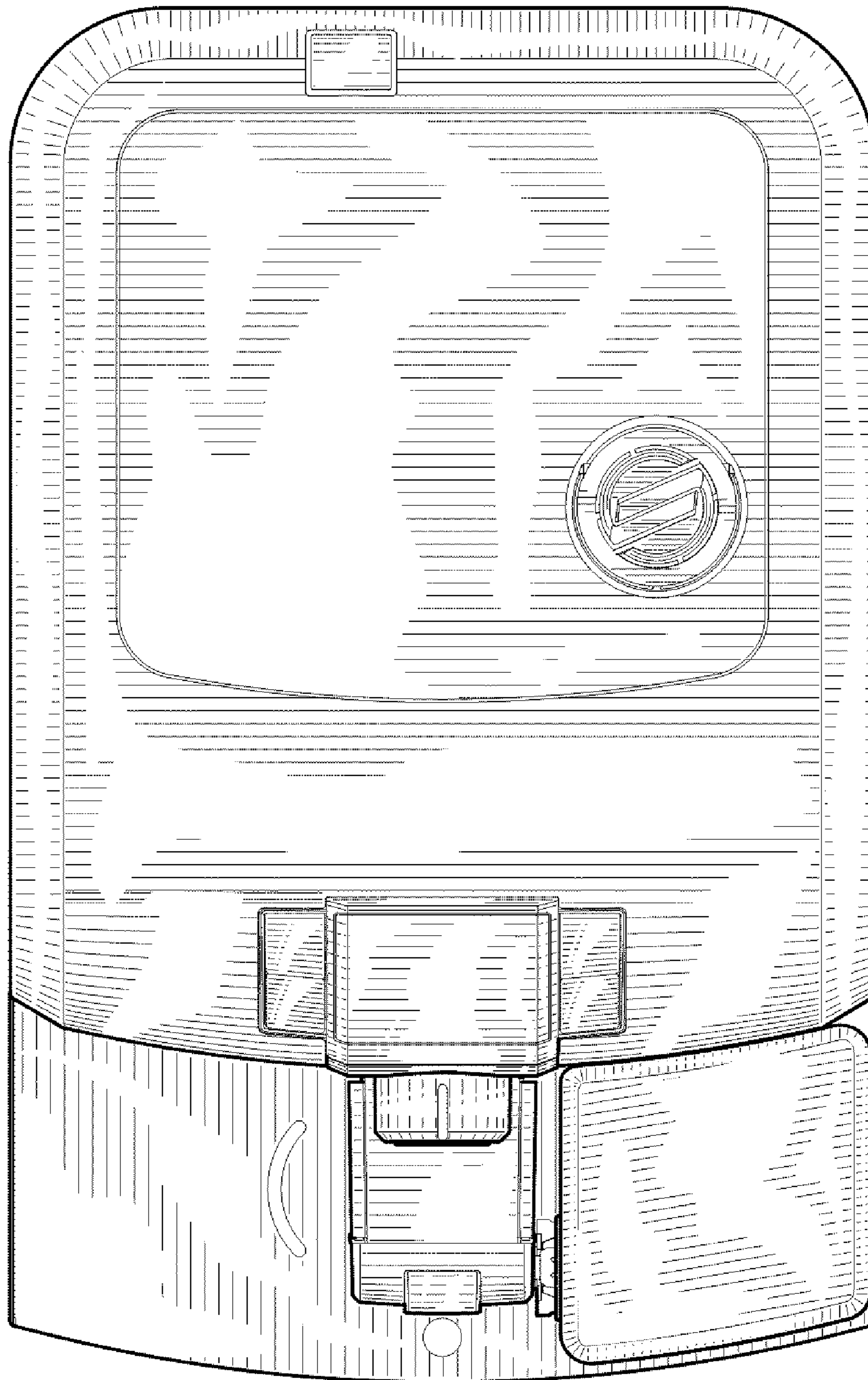


FIG. 6

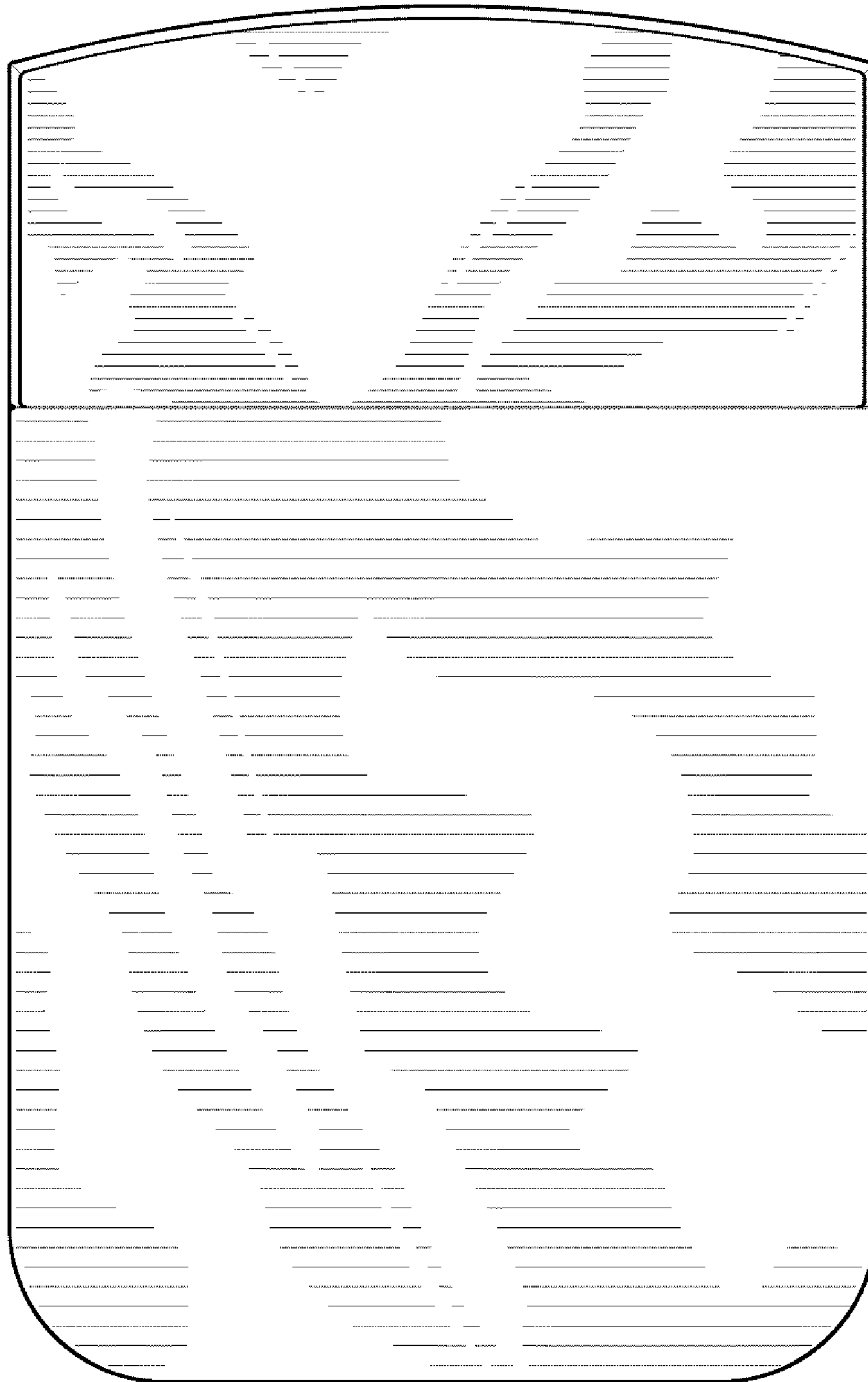


FIG. 7