



US00D646107S

(12) **United States Design Patent**
Gebhardt

(10) **Patent No.:** **US D646,107 S**

(45) **Date of Patent:** **** Oct. 4, 2011**

(54) **COFFEE MAKER**

(75) Inventor: **Lutz Gebhardt, Zug (CH)**

(73) Assignee: **Jura Elektroapparate AG (CH)**

(**) Term: **14 Years**

(21) Appl. No.: **29/372,289**

(22) Filed: **Nov. 4, 2010**

(30) **Foreign Application Priority Data**

May 5, 2010 (WO) DM/073 563

(51) **LOC (9) Cl.** **07-01**

(52) **U.S. Cl.** **D7/309; D7/311**

(58) **Field of Classification Search** D7/306-311,
D7/300; 99/290, 307

See application file for complete search history.

(56) **References Cited**

U.S. PATENT DOCUMENTS

2,927,522	A	*	3/1960	Rockwood et al.	99/290
D192,344	S	*	3/1962	Hrabe	D7/308
D260,095	S	*	8/1981	Bischoff et al.	D7/308
D298,504	S	*	11/1988	Frech	D7/308
D309,842	S	*	8/1990	Frech	D7/308
D332,199	S	*	1/1993	Pomeroy	D7/309
D346,717	S	*	5/1994	Geiger	D7/309
D360,331	S	*	7/1995	McNeill	D7/305
D413,757	S	*	9/1999	Viguer Munoz	D7/309
D445,292	S	*	7/2001	Sowden	D7/309
D455,596	S	*	4/2002	Boos	D7/309
D486,345	S	*	2/2004	Schwamkrug	D7/309
D505,821	S	*	6/2005	Liebe et al.	D7/305
D523,279	S	*	6/2006	Zemp	D7/309
D538,578	S	*	3/2007	McWilliam	D7/309
D556,494	S	*	12/2007	Adachi et al.	D7/308

D557,057	S	*	12/2007	Einav	D7/307
D562,617	S	*	2/2008	Liebe	D7/309
D584,096	S	*	1/2009	Lutz	D7/307
D586,604	S	*	2/2009	Buttler	D7/309
D587,511	S	*	3/2009	Buttler	D7/309
D592,441	S	*	5/2009	Terada et al.	D7/308
D610,389	S	*	2/2010	Borin et al.	D7/309
D622,534	S	*	8/2010	Zimmermann	D7/307
D630,881	S	*	1/2011	Rezzonico	D7/309

OTHER PUBLICATIONS

U.S. Appl. No. 29/357,925, filed Mar. 19, 2010, Ronald Buttler.
U.S. Appl. No. 29/358,837, filed Apr. 1, 2010, Manfred Werner.
U.S. Appl. No. 29/361,779, filed May 14, 2010, Ronald Buttler.
U.S. Appl. No. 29/370,025, filed May 27, 2010, Gebhardt et al.
U.S. Appl. No. 29/372,342, filed Nov. 10, 2010, Martin Iseli.

* cited by examiner

Primary Examiner — Marianne Pandozzi

(74) *Attorney, Agent, or Firm* — Foley & Lardner LLP

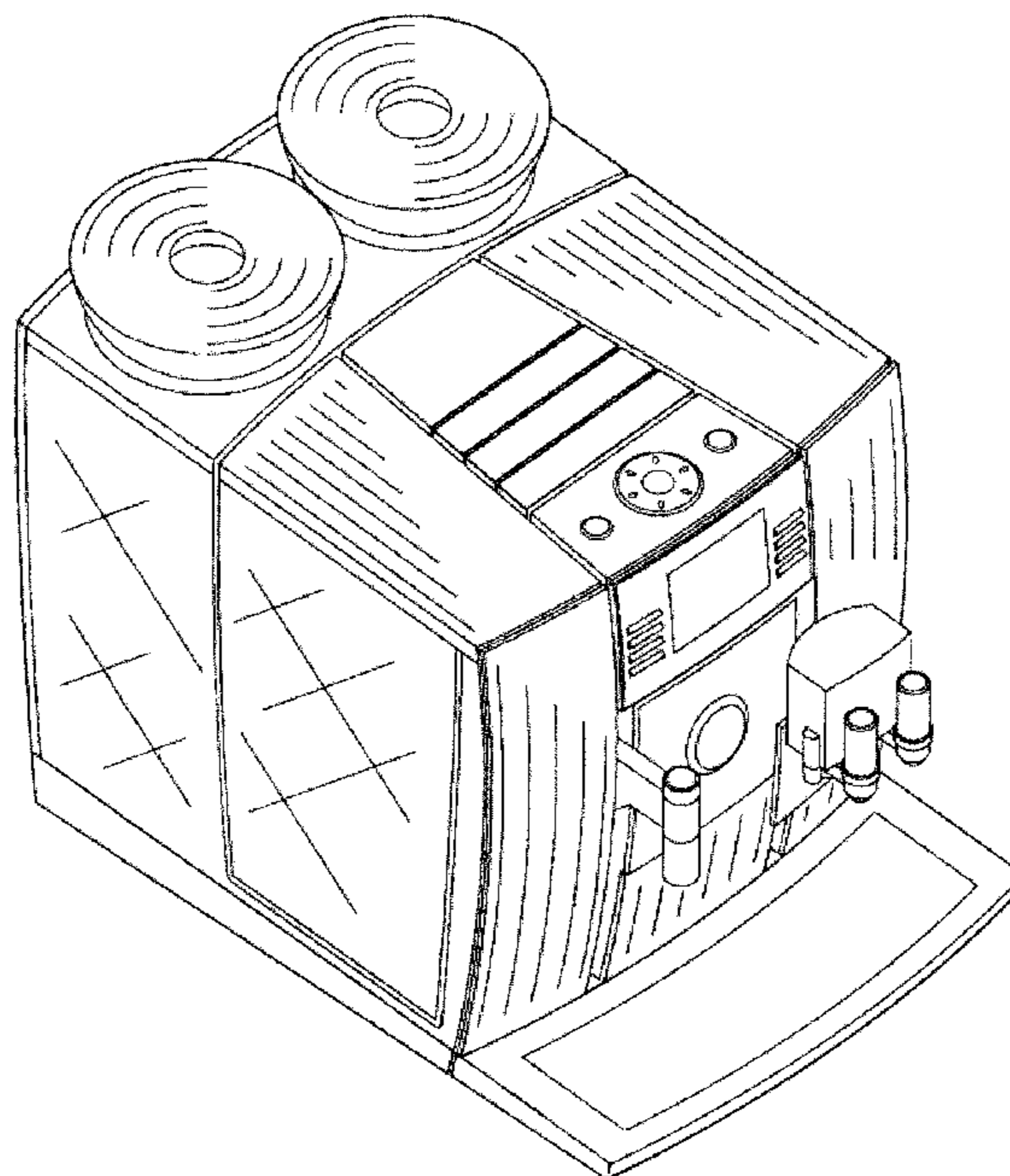
(57) **CLAIM**

I claim the ornamental design for a coffee maker, as shown and described.

DESCRIPTION

FIG. 1 is a perspective view of a coffee maker showing my new design;
FIG. 2 is a front elevational view of the coffee maker of FIG. 1;
FIG. 3 is a right side elevational view of the coffee maker of FIG. 1;
FIG. 4 is a left side elevational view of the coffee maker of FIG. 1;
FIG. 5 is a top plan view of the coffee maker of FIG. 1; and,
FIG. 6 is a rear elevational view of the coffee maker of FIG. 1.

1 Claim, 6 Drawing Sheets



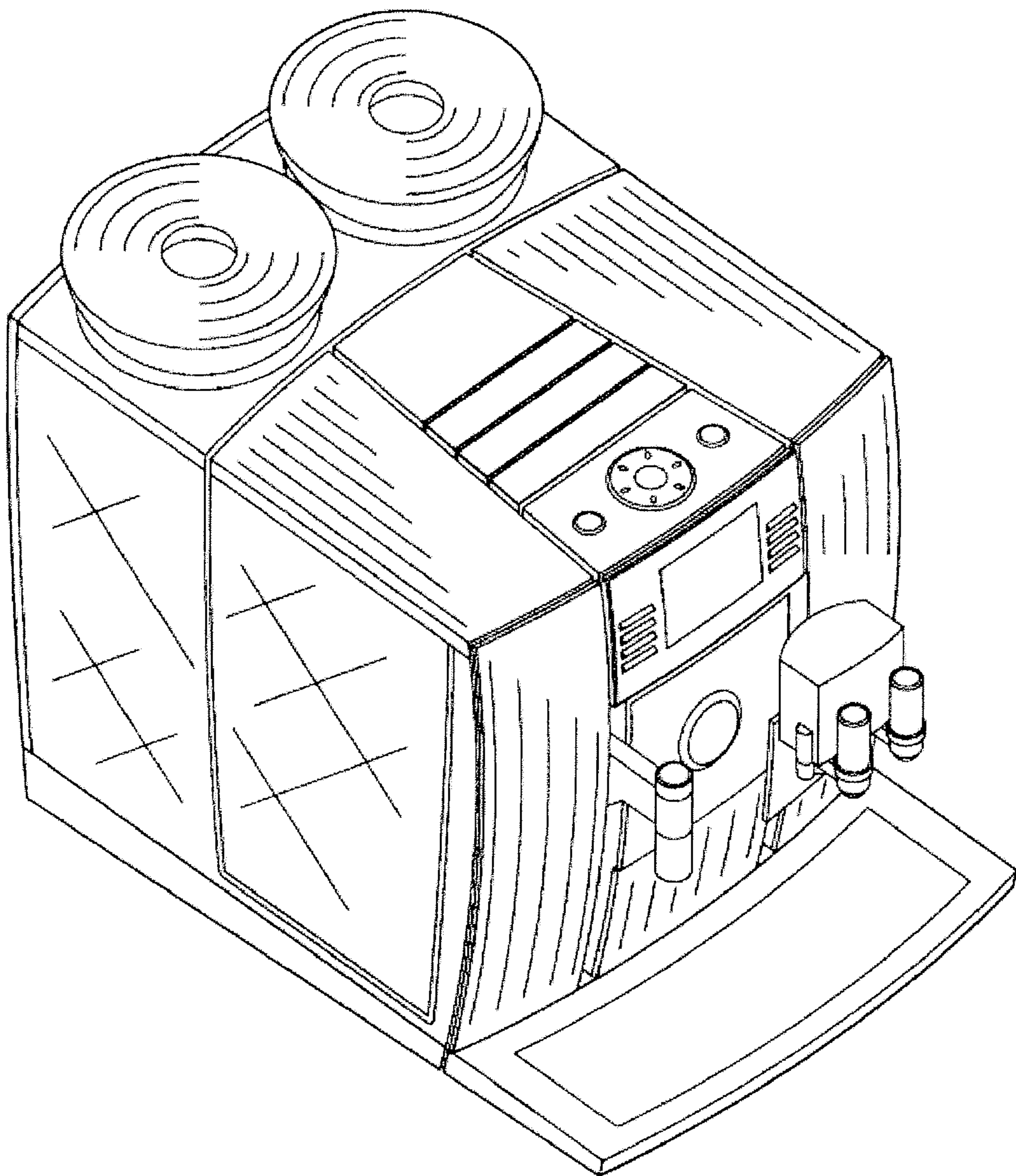


FIG 1

FIG 2

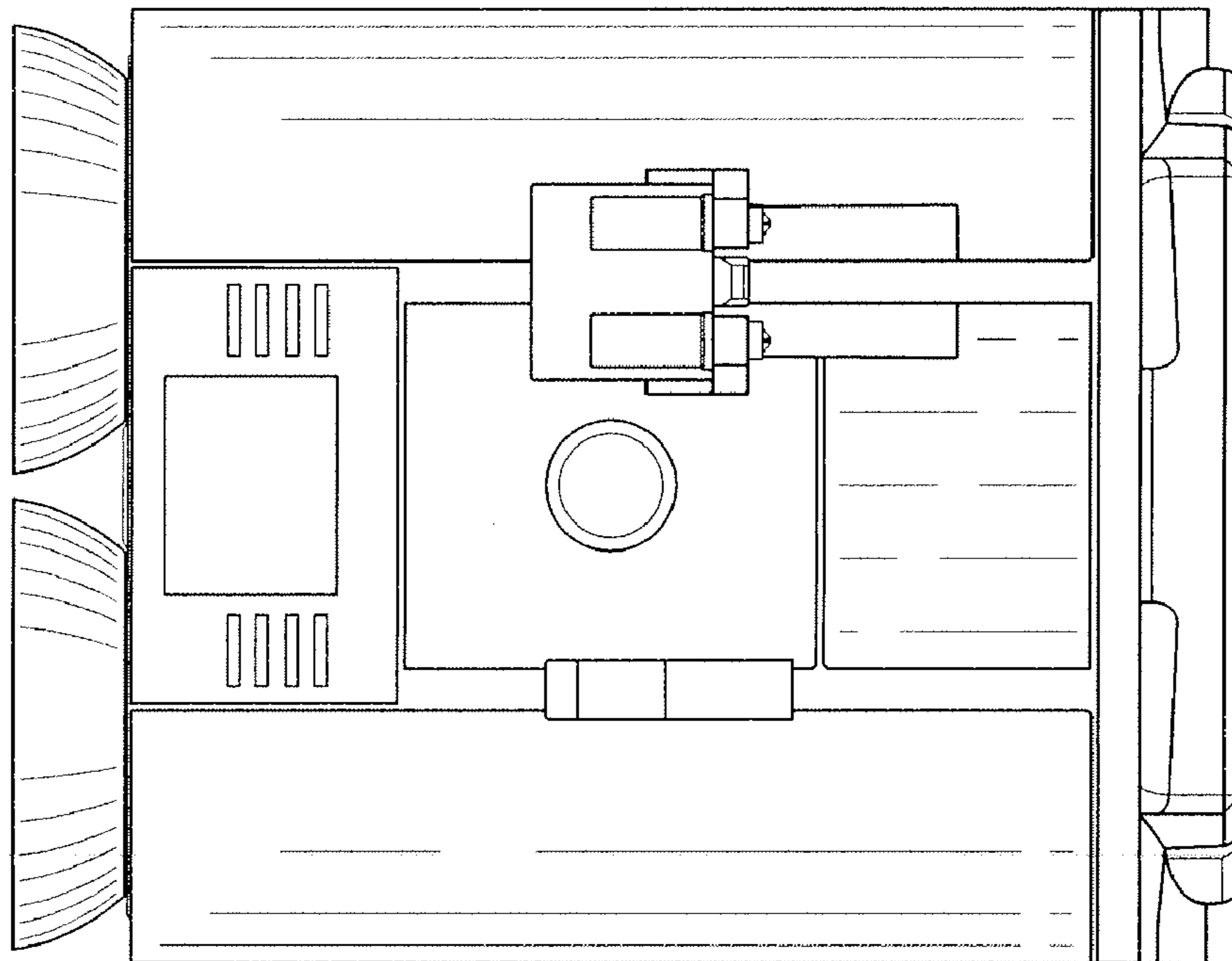


FIG 3

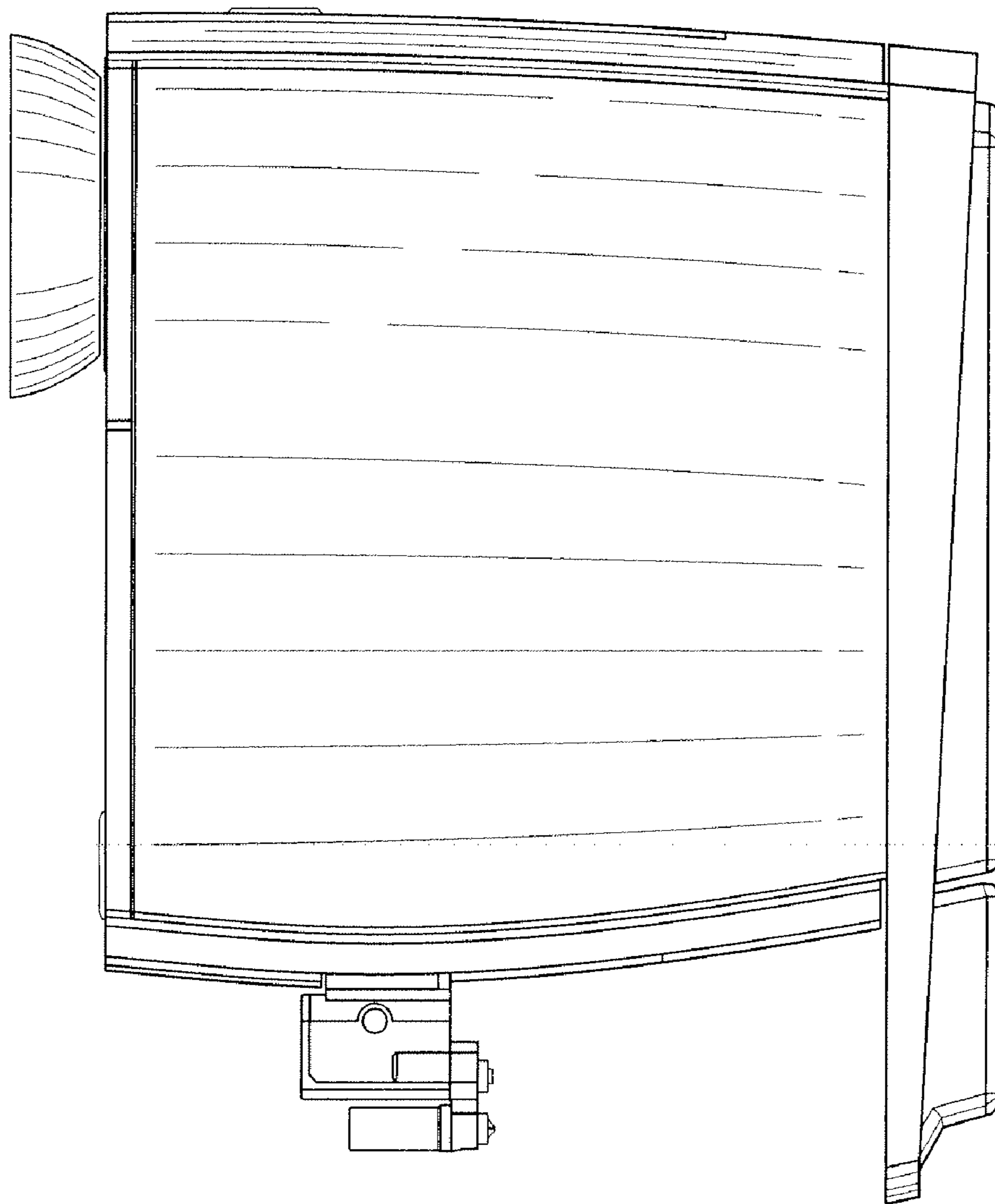
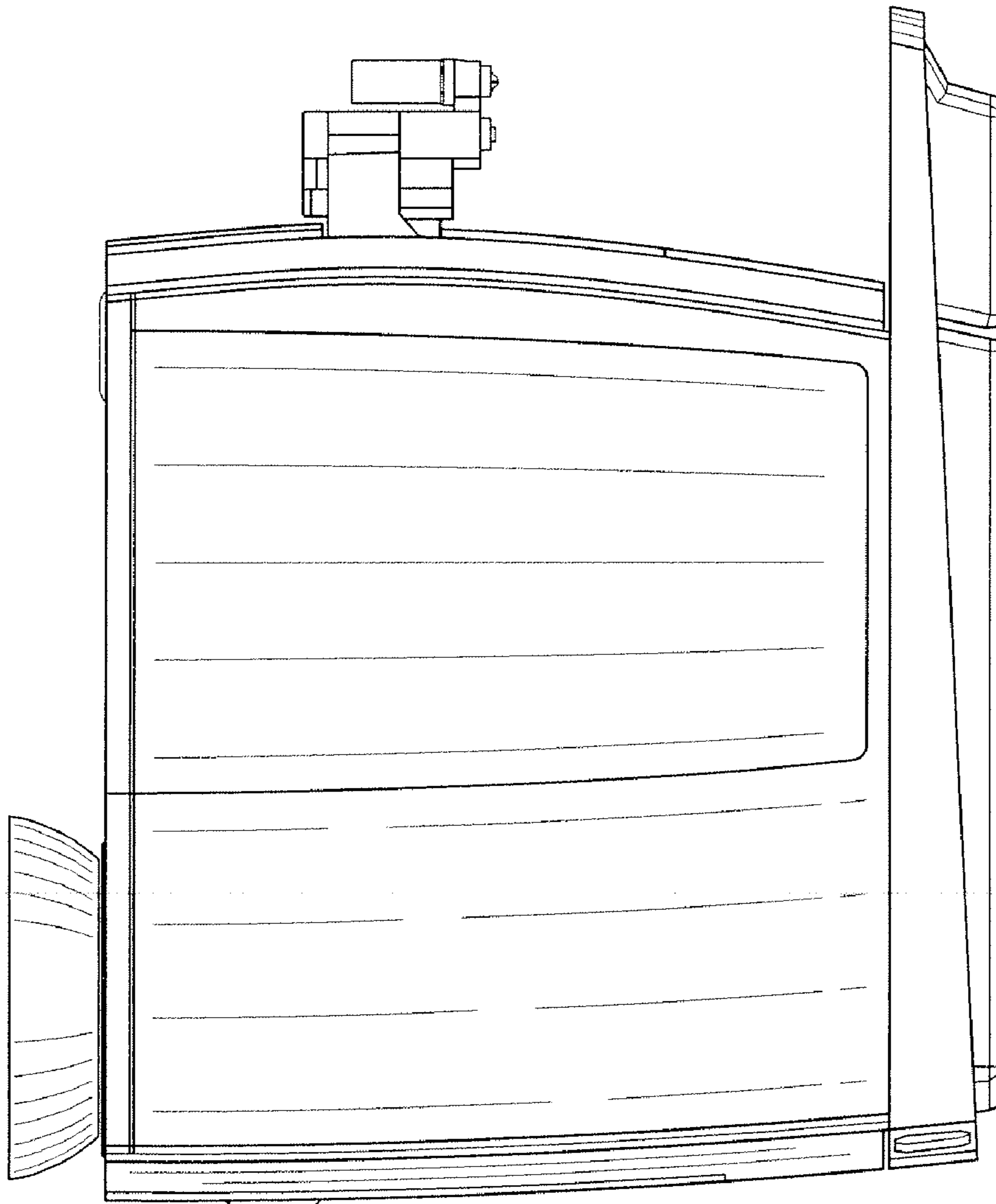


FIG 4



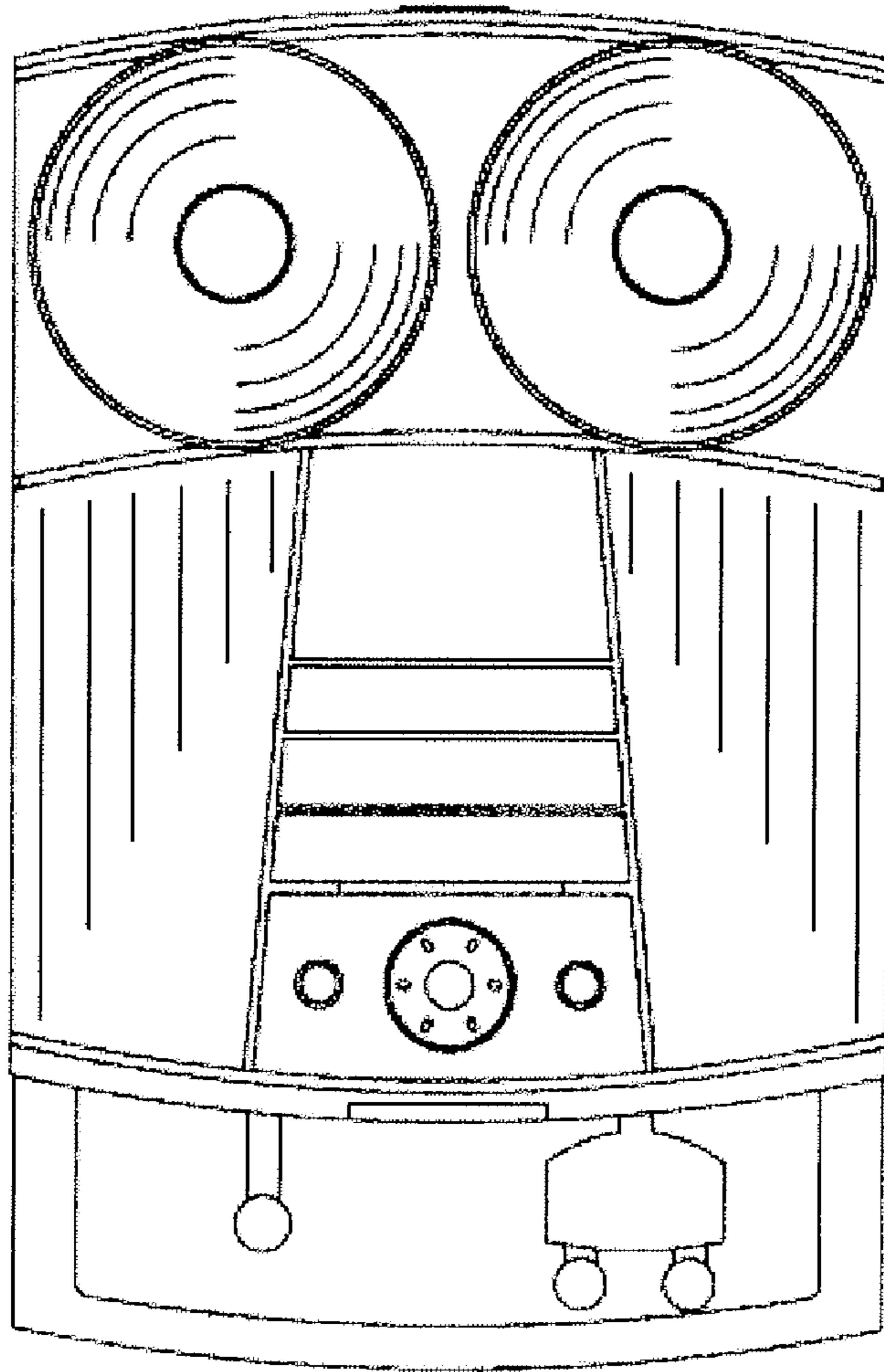
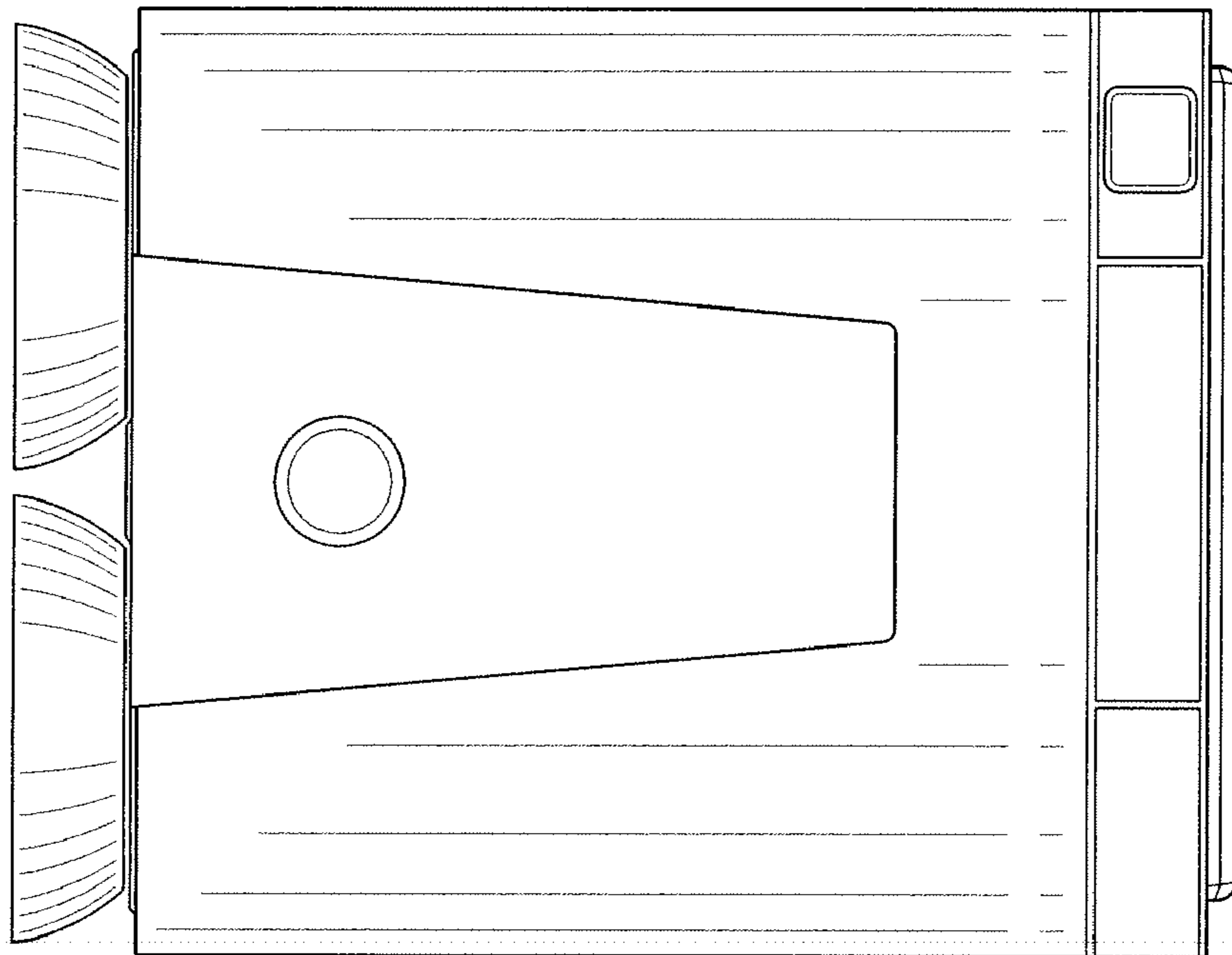


Fig 5

FIG 6



UNITED STATES PATENT AND TRADEMARK OFFICE
CERTIFICATE OF CORRECTION

PATENT NO. : D646,107 S
APPLICATION NO. : 29/372289
DATED : October 4, 2011
INVENTOR(S) : Lutz Gebhardt

Page 1 of 1

It is certified that error appears in the above-identified patent and that said Letters Patent is hereby corrected as shown below:

On the Title Page, Item -73- next to "Assignee," replace "Jura Elektroapparate AG" with
-- Jura Elektroapparate AG --.

Signed and Sealed this
Thirteenth Day of November, 2012

A handwritten signature in black ink that reads "David J. Kappos". The signature is written in a cursive, slightly slanted style.

David J. Kappos
Director of the United States Patent and Trademark Office