



US00D646106S

(12) **United States Design Patent**
Gebhardt et al.

(10) **Patent No.:** **US D646,106 S**

(45) **Date of Patent:** **** Oct. 4, 2011**

(54) **COFFEE MACHINE**

(75) Inventors: **Lutz Gebhardt**, Steinhausen (CH);
Frank Bossard, Zürich (CH)

(73) Assignee: **Jura Elektroapparate AG** (CH)

(**) Term: **14 Years**

(21) Appl. No.: **29/370,025**

(22) Filed: **May 27, 2010**

(30) **Foreign Application Priority Data**

Nov. 30, 2009 (WO) DM/072 695

(51) **LOC (9) Cl.** **07-01**

(52) **U.S. Cl.** **D7/309; D7/311**

(58) **Field of Classification Search** D7/306-311,
D7/300, 305; 99/290, 307

See application file for complete search history.

(56) **References Cited**

U.S. PATENT DOCUMENTS

| | | | | |
|-----------|-----|---------|-----------------|--------|
| 2,927,522 | A * | 3/1960 | Rockwood et al. | 99/290 |
| D192,344 | S * | 3/1962 | Hrabe | D7/308 |
| D260,095 | S * | 8/1981 | Bischoff et al. | D7/308 |
| D298,504 | S * | 11/1988 | Frech | D7/308 |
| D309,842 | S * | 8/1990 | Frech | D7/308 |
| D332,199 | S * | 1/1993 | Pomeroy | D7/309 |
| D346,717 | S * | 5/1994 | Geiger | D7/309 |
| D360,331 | S * | 7/1995 | McNeill | D7/305 |
| D413,757 | S * | 9/1999 | Viguer Munoz | D7/309 |
| D445,292 | S * | 7/2001 | Sowden | D7/309 |
| D455,596 | S * | 4/2002 | Boos | D7/309 |
| D486,345 | S * | 2/2004 | Schwamkrug | D7/309 |
| D505,821 | S * | 6/2005 | Liebe et al. | D7/305 |
| D523,279 | S * | 6/2006 | Zemp | D7/309 |
| D538,578 | S * | 3/2007 | McWilliam | D7/309 |
| D556,494 | S * | 12/2007 | Adachi et al. | D7/308 |

| | | | | |
|----------|-----|---------|---------------|--------|
| D557,057 | S * | 12/2007 | Einav | D7/307 |
| D562,617 | S * | 2/2008 | Liebe | D7/309 |
| D584,096 | S * | 1/2009 | Lutz | D7/307 |
| D586,604 | S * | 2/2009 | Buttler | D7/309 |
| D587,511 | S * | 3/2009 | Buttler | D7/309 |
| D592,441 | S * | 5/2009 | Terada et al. | D7/308 |
| D610,389 | S * | 2/2010 | Borin et al. | D7/309 |
| D622,534 | S * | 8/2010 | Zimmermann | D7/307 |
| D630,881 | S * | 1/2011 | Rezzonico | D7/309 |

OTHER PUBLICATIONS

U.S. Appl. 29/357,925, filed Mar. 19, 2010, Ronald Büttler.
U.S. Appl. 29/358,837, filed Apr. 1, 2010, Manfred Werner.
U.S. Appl. 29/361,779, filed MaMay 14, 2010, Ronald Büttler.
U.S. Appl. 29/372,289, filed Nov. 4, 2010, Lutz Gebhardt.
U.S. Appl. 29/372,342, filed Nov. 10, 2010, Martin Iseli.

* cited by examiner

Primary Examiner — Marianne Pandozzi

(74) *Attorney, Agent, or Firm* — Foley & Lardner LLP

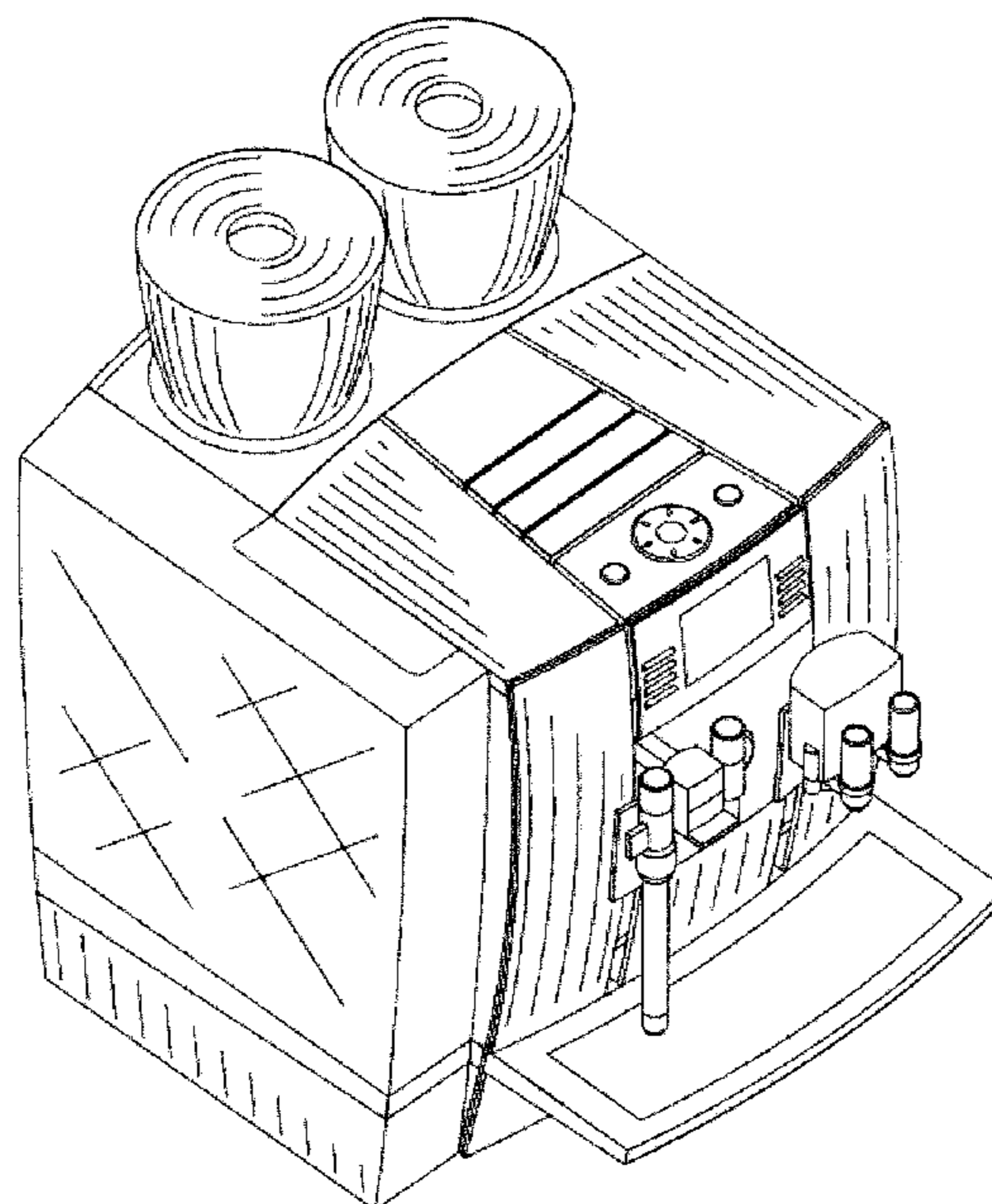
(57) **CLAIM**

We claim the ornamental design for a coffee machine, as shown and described.

DESCRIPTION

FIG. 1 is a perspective view of a coffee machine showing my new design;
FIG. 2 is a front elevational view of the coffee machine of FIG. 1;
FIG. 3 is a right side elevational view of the coffee machine of FIG. 1;
FIG. 4 is a left side elevational view of the coffee machine of FIG. 1;
FIG. 5 is a top plan view of the coffee machine of FIG. 1; and,
FIG. 6 is a rear elevational view of the coffee machine of FIG. 1.

1 Claim, 6 Drawing Sheets



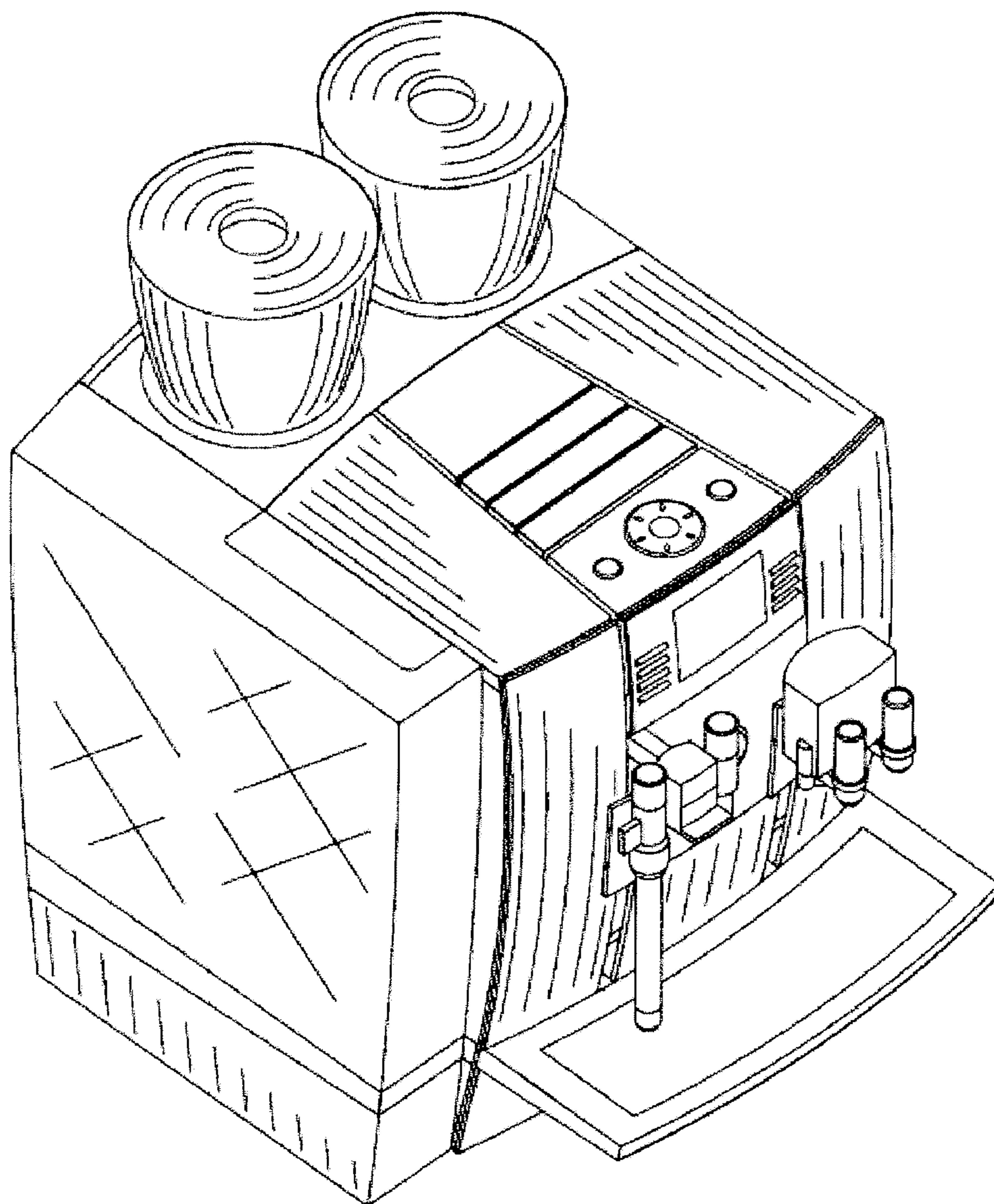


FIG 1

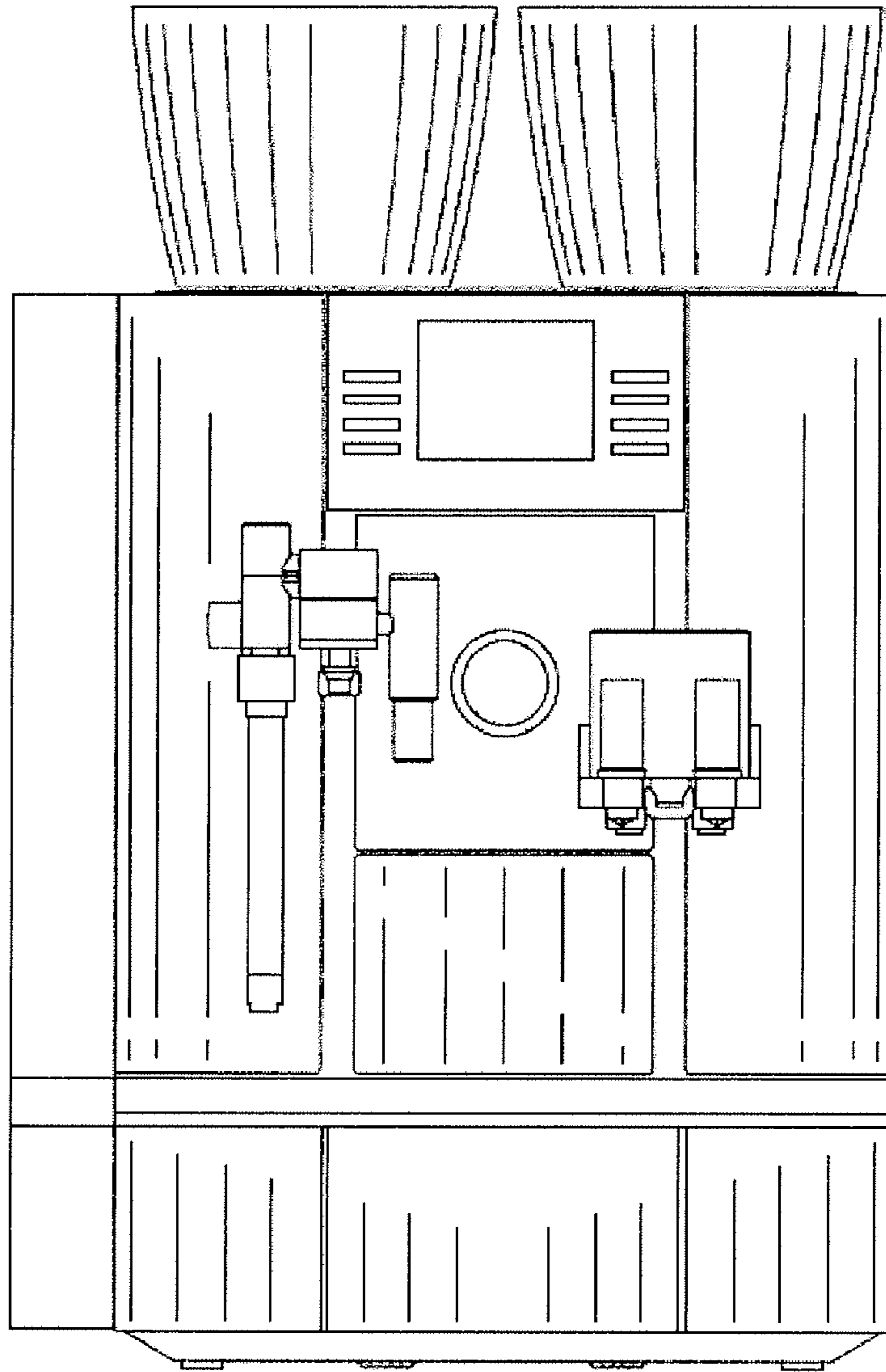


FIG 2

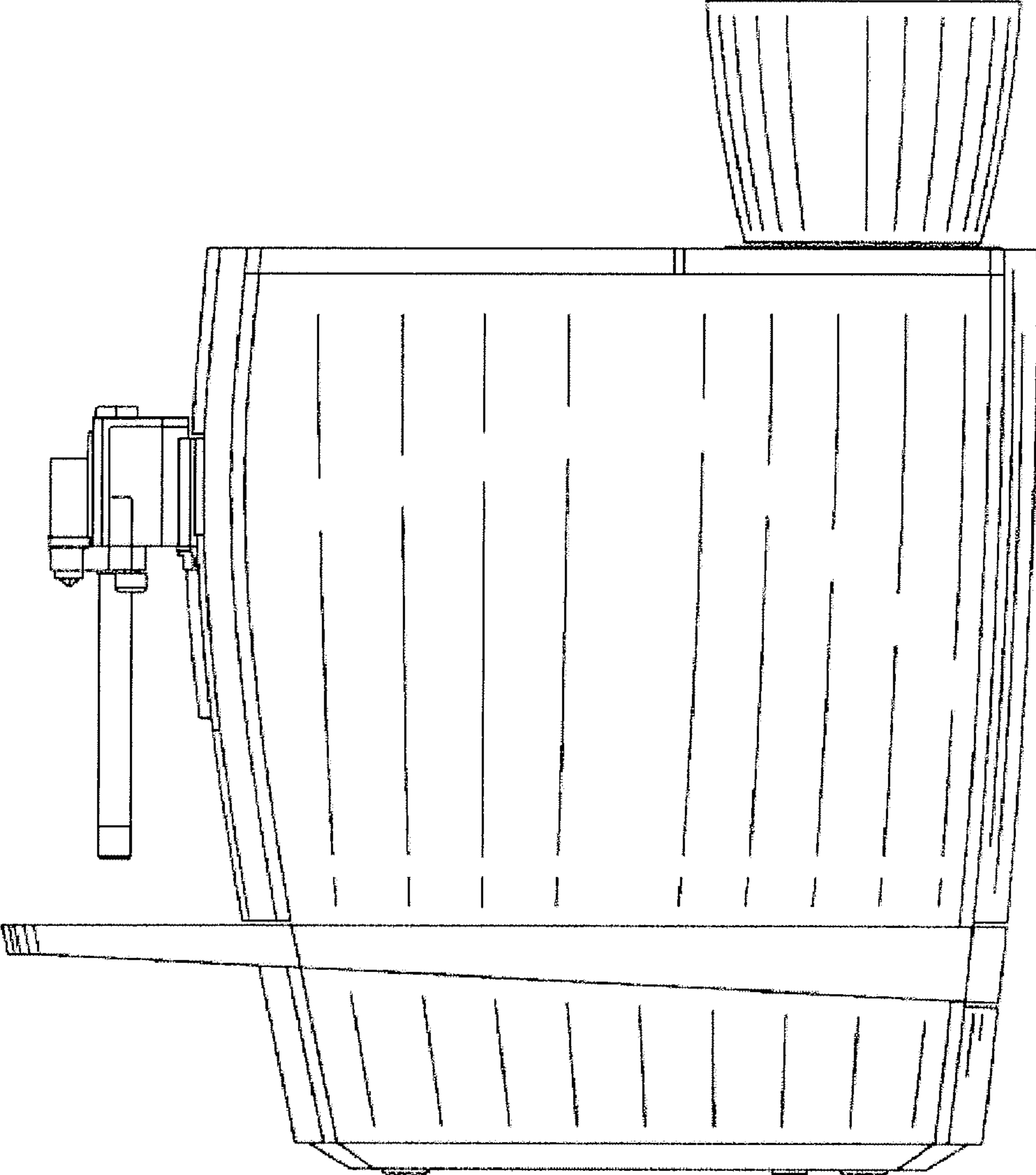


FIG 3

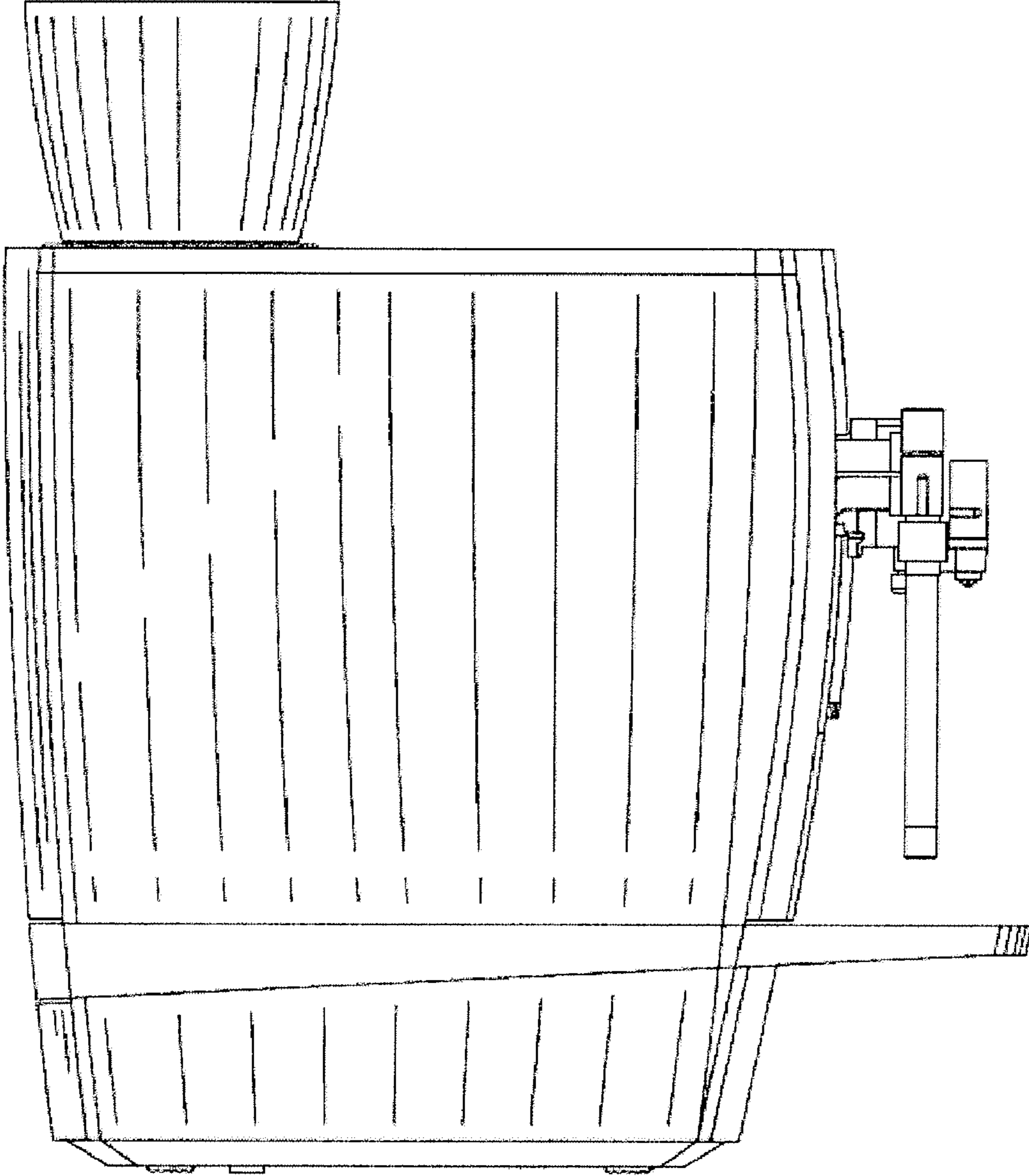


FIG 4

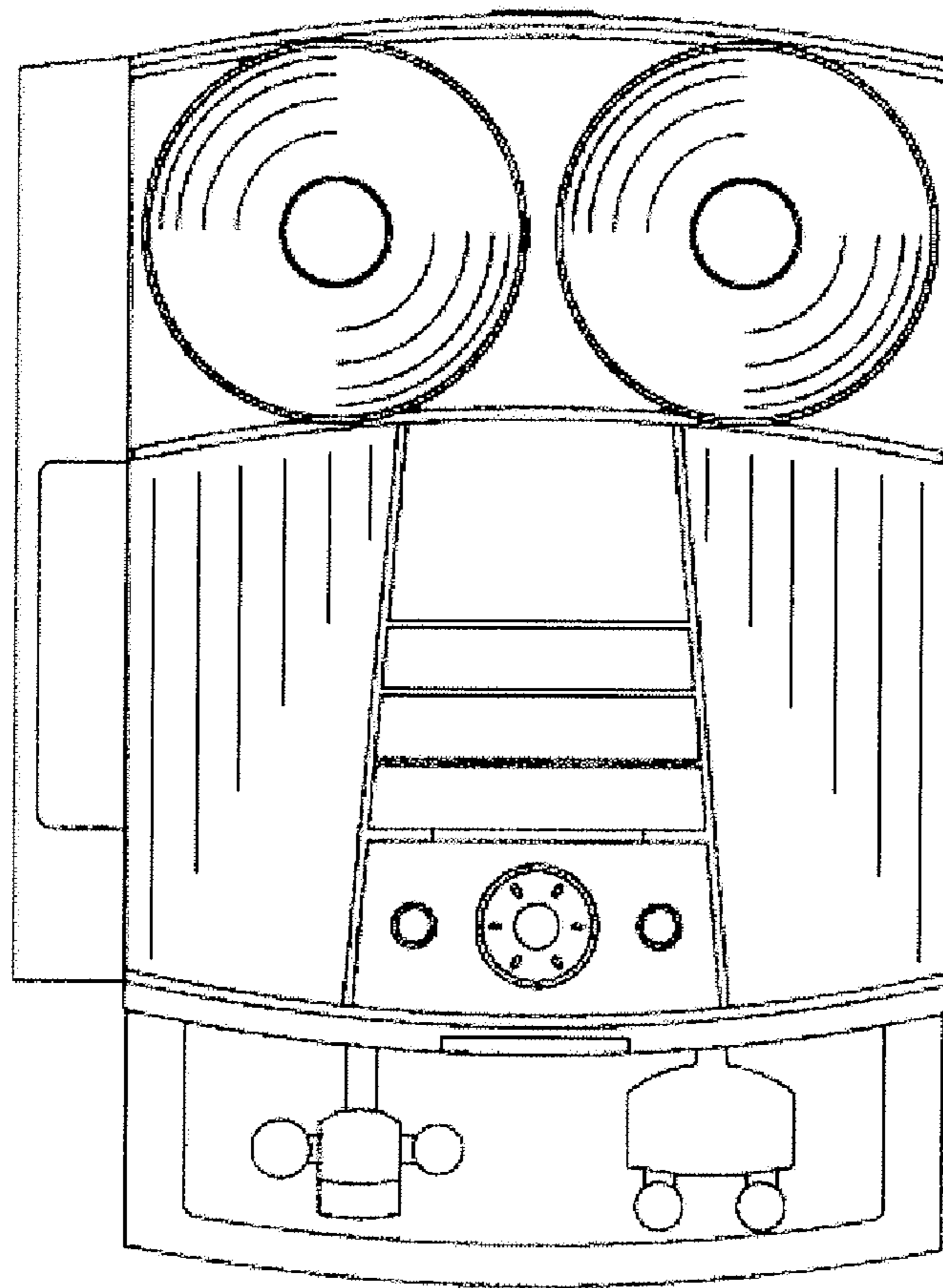


Fig 5

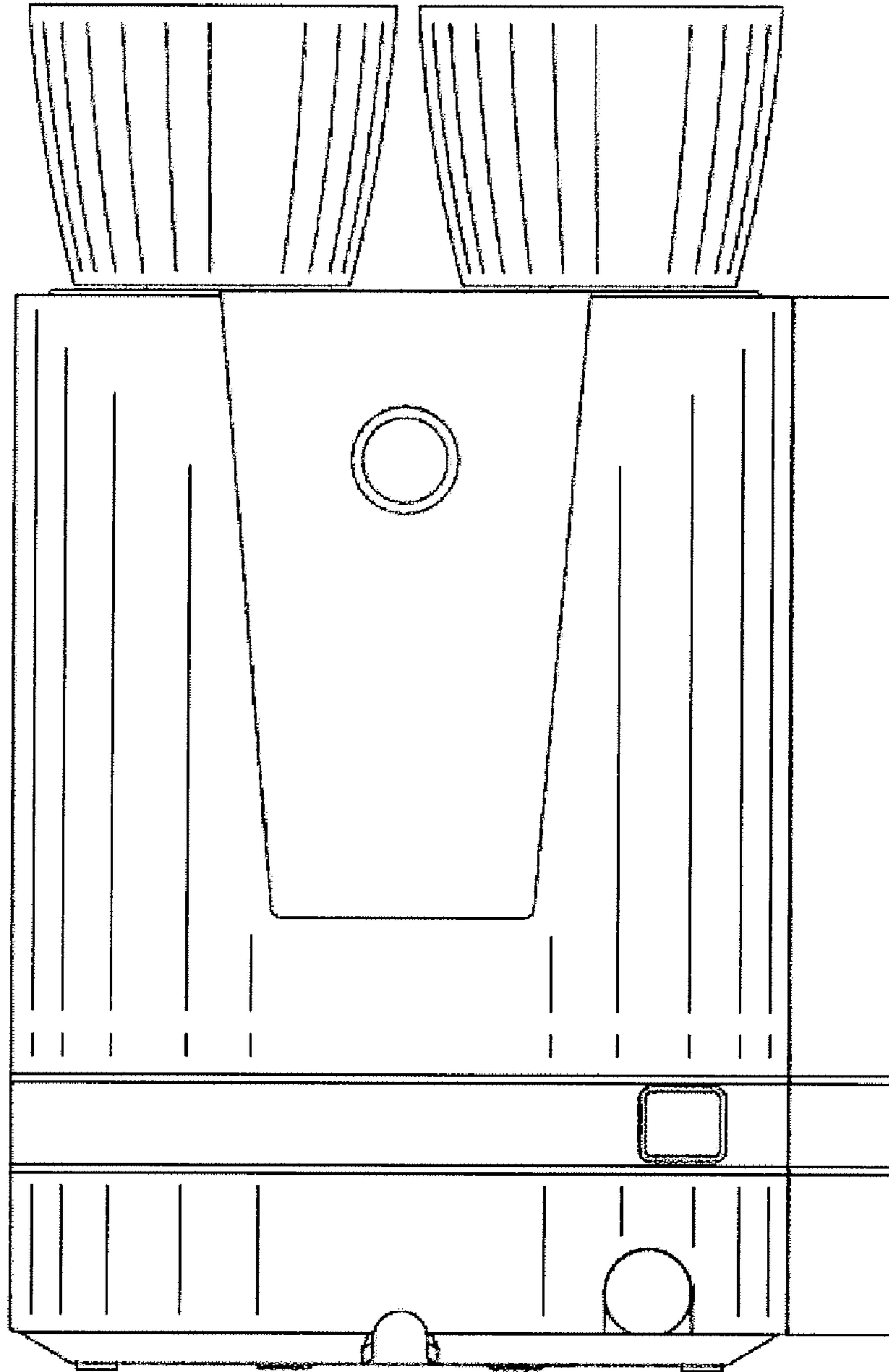


FIG 6