



US00D646105S

(12) **United States Design Patent**  
**Deo et al.**

(10) **Patent No.:** **US D646,105 S**  
(45) **Date of Patent:** **\*\* Oct. 4, 2011**

(54) **BEVERAGE DISPENSER TOWER**  
(75) Inventors: **Indrani Deo**, Ossining, NY (US);  
**Steven Jersey**, Laguna Niguel, CA (US)

(73) Assignee: **PepsiCo, Inc.**, Purchase, NY (US)

(\*\*) Term: **14 Years**

(21) Appl. No.: **29/375,544**

(22) Filed: **Sep. 23, 2010**

(51) **LOC (9) Cl.** ..... **07-01**

(52) **U.S. Cl.** ..... **D7/306; D7/311**

(58) **Field of Classification Search** ..... D7/589,  
D7/368, 369-371, 306-308, 311, 397, 300;  
222/129, 135, 144.5, 185.1, 1; D15/82, 79,  
D15/80; 99/275, 280, 455, 452, 348; 220/592.14,  
220/592.13

See application file for complete search history.

(56) **References Cited**

**U.S. PATENT DOCUMENTS**

D185,006 S \* 4/1959 Smith ..... D7/311  
D195,663 S \* 7/1963 Schumans ..... D7/308  
D268,977 S \* 5/1983 Marotta ..... D7/309  
D287,089 S \* 12/1986 Cesaroni ..... D7/309  
D359,412 S \* 6/1995 Minh ..... D7/307

D462,225 S \* 9/2002 Kyees et al. .... D7/307  
2010/0116842 A1 5/2010 Hecht et al.  
2011/0017776 A1 1/2011 Metropulos et al.  
2011/0125334 A1\* 5/2011 Deo et al. .... 700/283

\* cited by examiner

*Primary Examiner* — Marianne Pandozzi

(74) *Attorney, Agent, or Firm* — Banner & Witcoff, Ltd.

(57) **CLAIM**

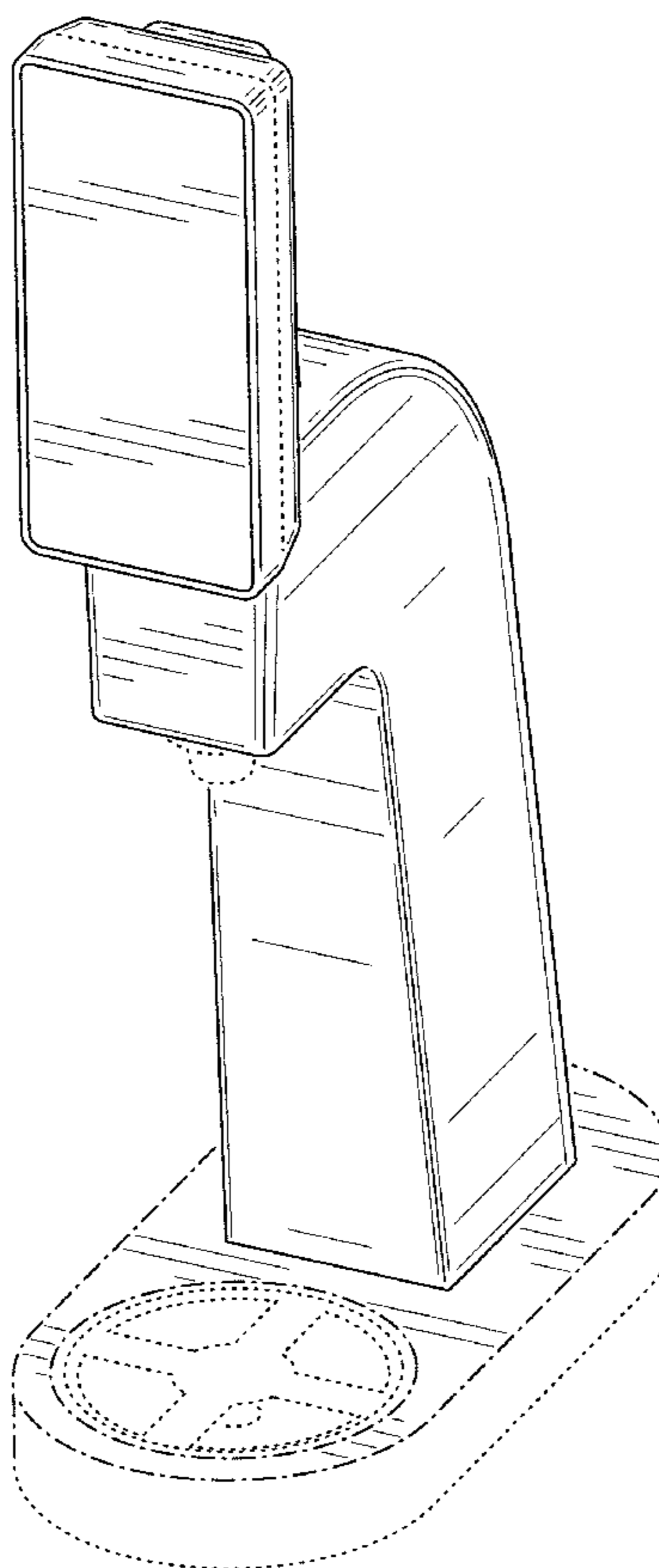
The ornamental design for a beverage dispenser tower, as shown and described.

**DESCRIPTION**

FIG. 1 is a top, front, right perspective view of a beverage dispenser tower showing our new design;  
FIG. 2 is a front view thereof;  
FIG. 3 is a rear view thereof;  
FIG. 4 is a right side view thereof;  
FIG. 5 is a left side view thereof;  
FIG. 6 is a top view thereof; and,  
FIG. 7 is a bottom view thereof.

The uneven-length broken lines represent unclaimed boundaries of the claimed design. The even-length broken lines showing the remainder of the beverage dispenser tower are for environmental purposes only and form no part of the claimed design.

**1 Claim, 7 Drawing Sheets**



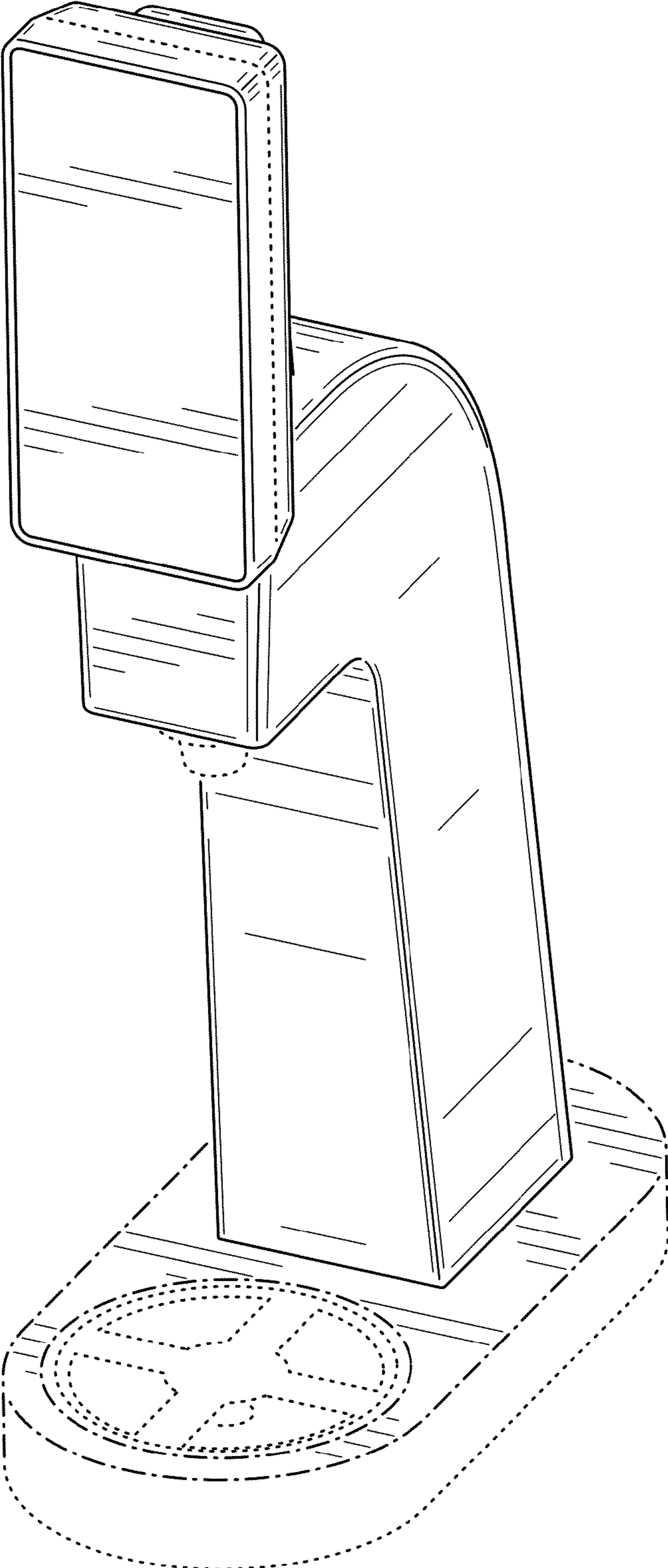


FIG. 1

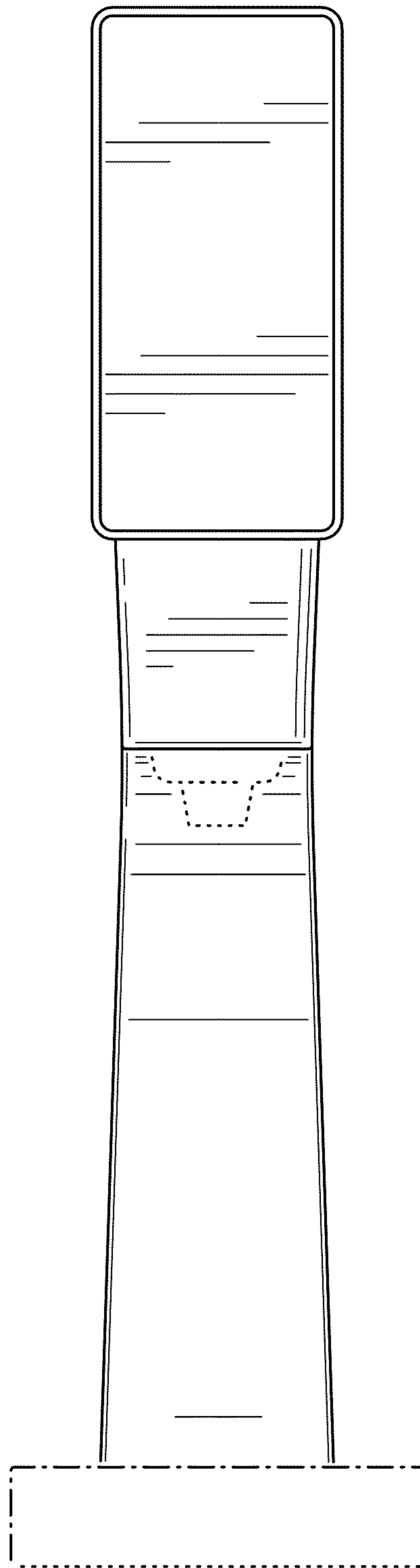


FIG. 2

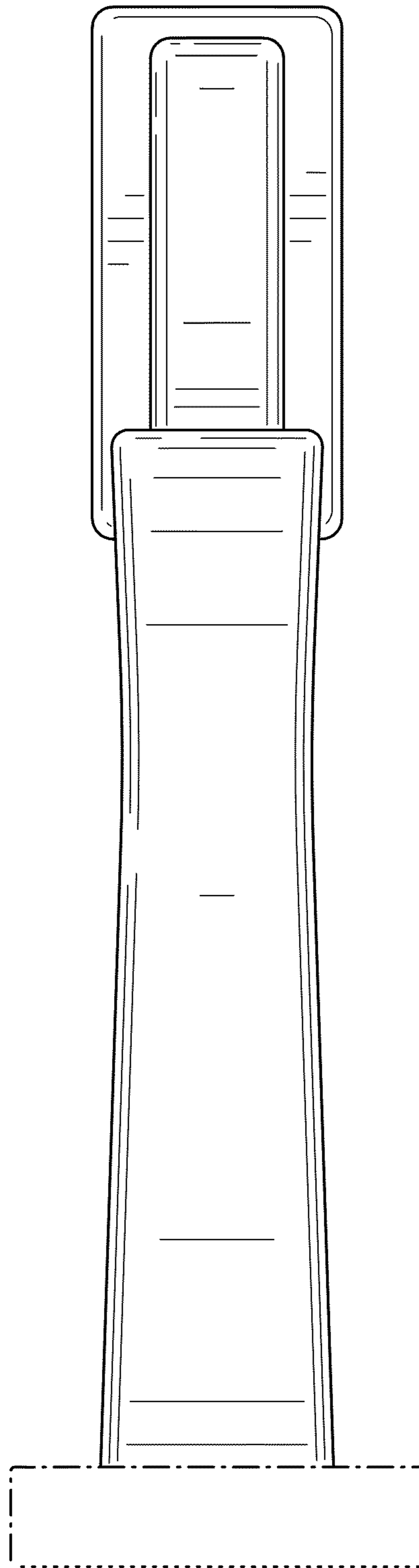


FIG. 3

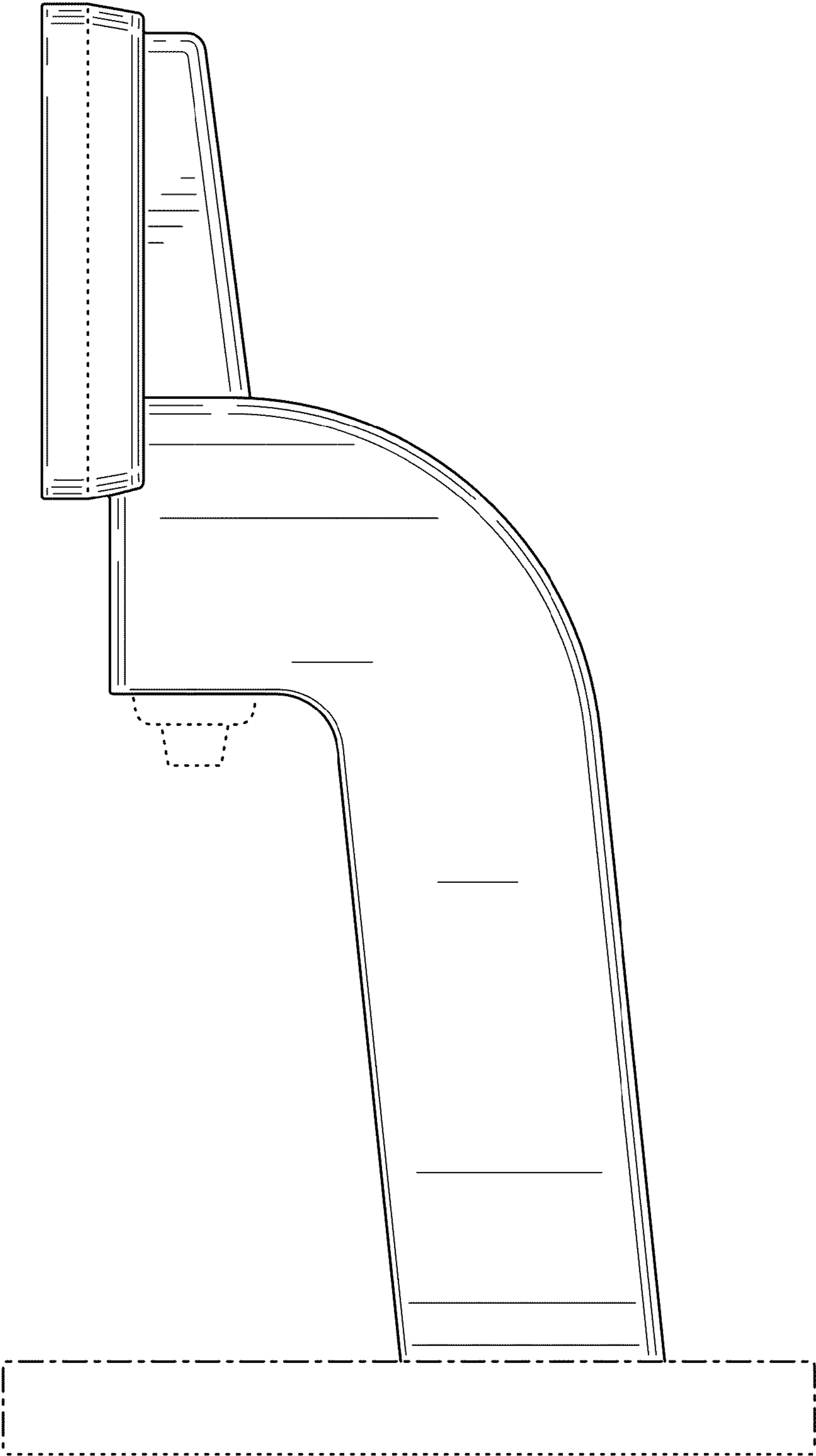


FIG. 4

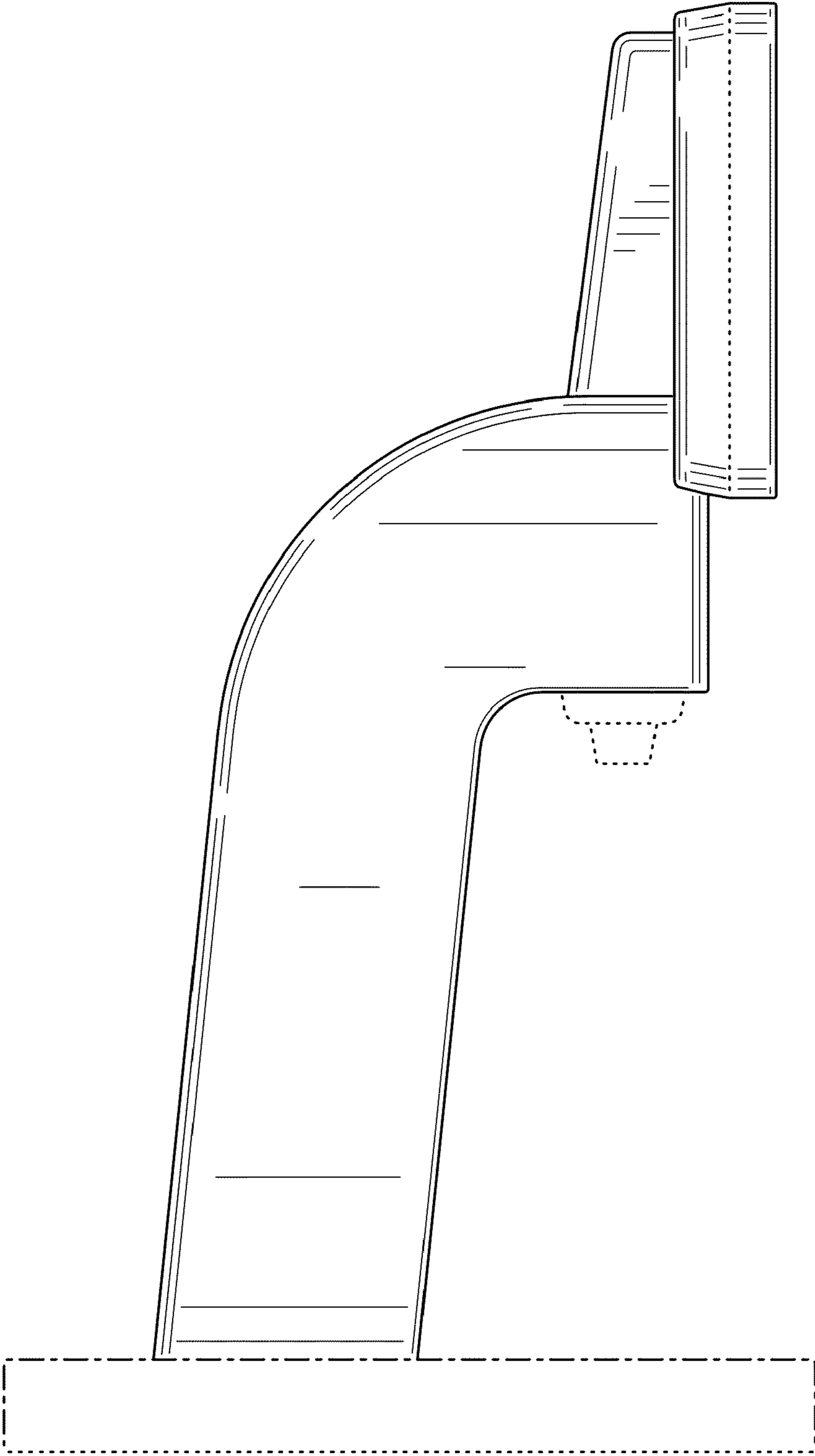


FIG. 5

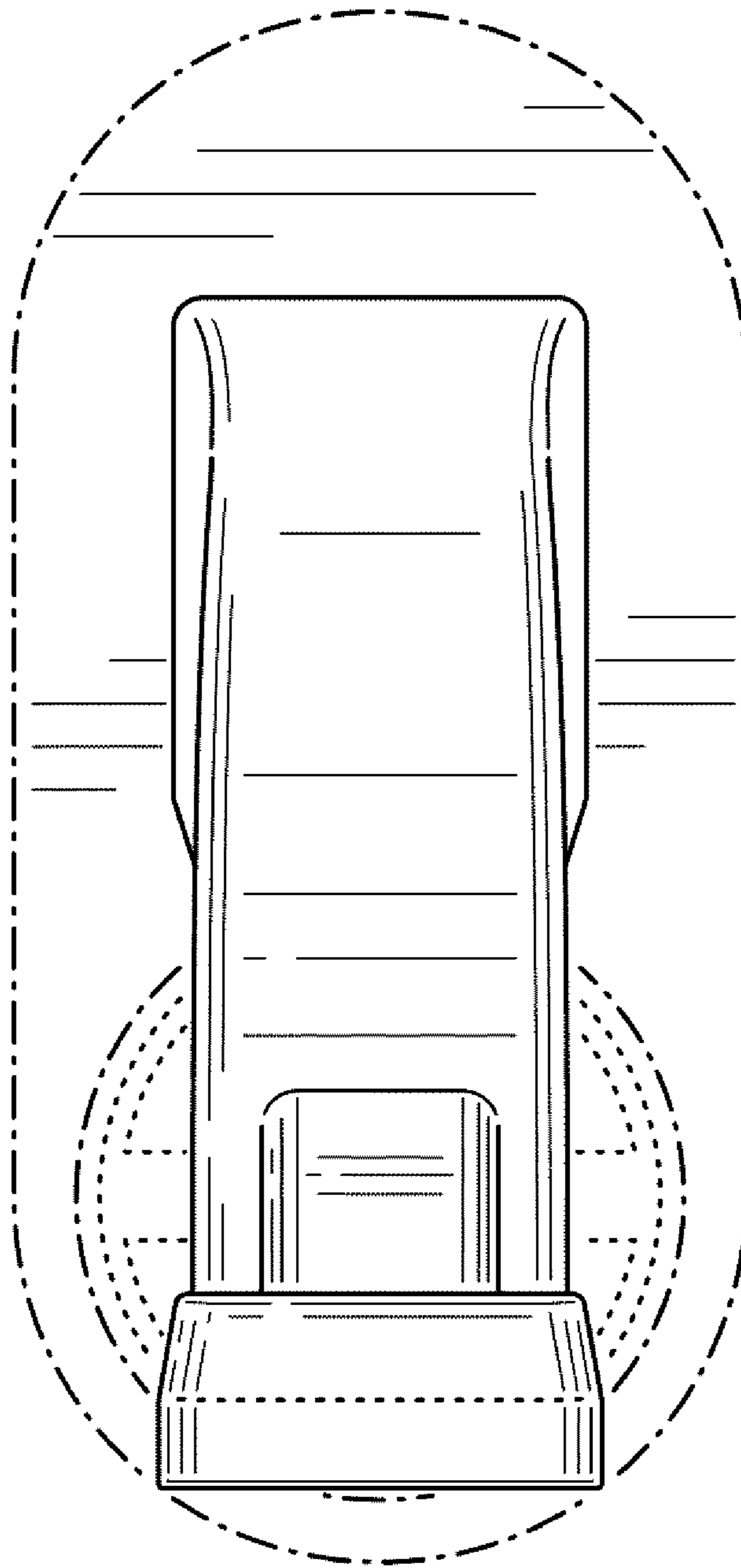


FIG. 6

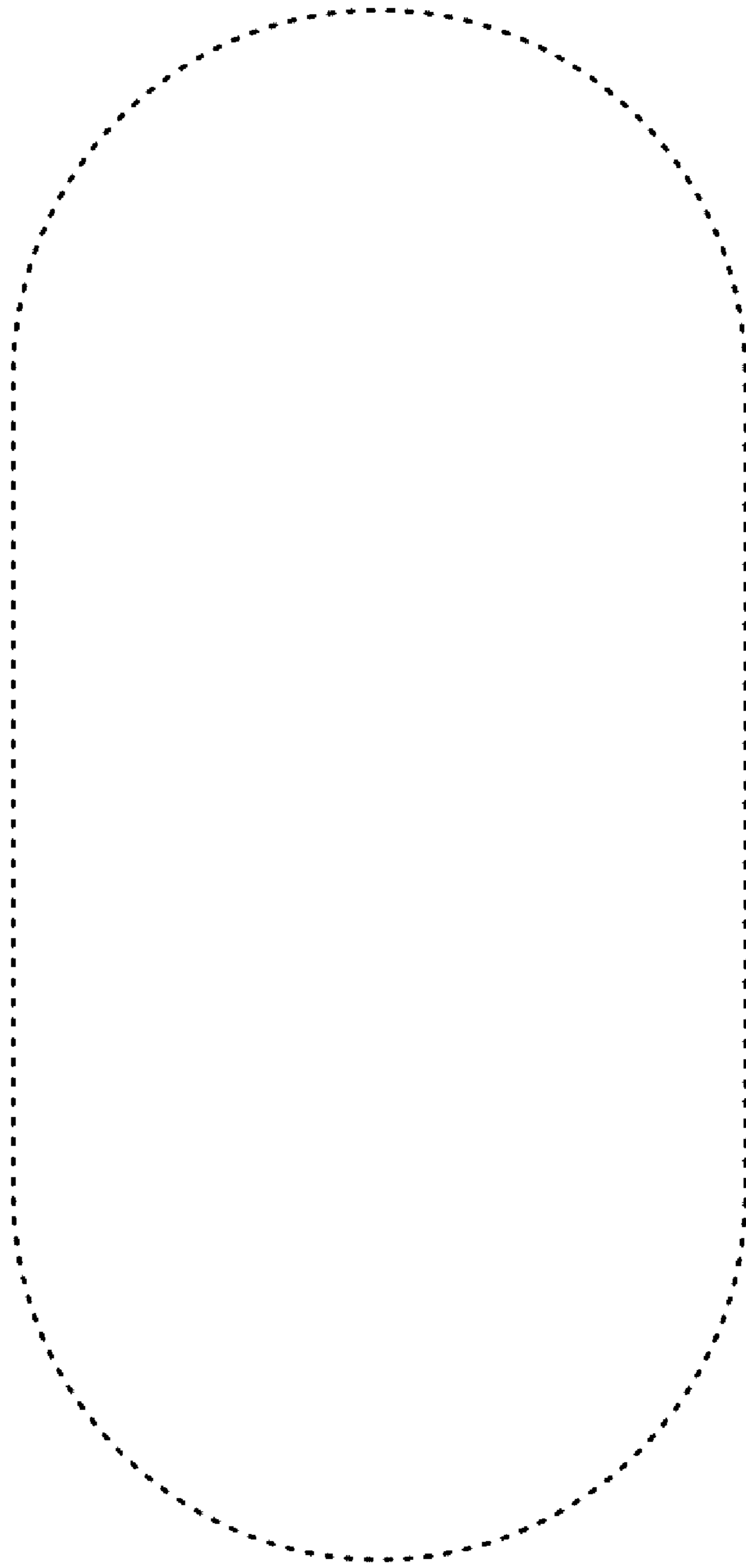


FIG. 7