



US00D646104S

(12) **United States Design Patent**  
**Zhou et al.**

(10) **Patent No.:** **US D646,104 S**  
(45) **Date of Patent:** **\*\* Oct. 4, 2011**

(54) **INTEGRAL HEAT PUMP AND HOT WATER DISPENSER**

(75) Inventors: **Yuan Zhou**, Guangdong Province (CN);  
**Weibiao Zheng**, Guangdong Province (CN)

(73) Assignee: **Midea Group Co., Ltd.**, Guangdong Province (CN)

(\*\*) Term: **14 Years**

(21) Appl. No.: **29/379,409**

(22) Filed: **Nov. 19, 2010**

(30) **Foreign Application Priority Data**

May 22, 2010 (CN) ..... 2010 3 0185837

(51) **LOC (9) Cl.** ..... **07-01**

(52) **U.S. Cl.** ..... **D7/305; D7/306; D7/300; D23/318**

(58) **Field of Classification Search** ..... **D7/300, D7/305, 306, 313; 222/185.1, 146.6, 183; 210/774; D15/82; D23/318**

See application file for complete search history.

(56) **References Cited**

**U.S. PATENT DOCUMENTS**

D143,887 S \* 2/1946 Thompson ..... D7/307  
D300,352 S \* 3/1989 Ronvik ..... D23/318

5,553,751 A \* 9/1996 Mowers ..... 222/183  
D388,868 S \* 1/1998 Vago et al. .... D23/318  
D400,971 S \* 11/1998 Vago et al. .... D23/318  
D423,862 S \* 5/2000 Mravlja et al. .... D7/306  
D482,227 S \* 11/2003 Walton ..... D7/306  
7,044,175 B1 \* 5/2006 Camejo ..... 141/18  
D533,388 S \* 12/2006 Cahen ..... D7/306  
D580,207 S \* 11/2008 Moon et al. .... D7/307  
D581,196 S \* 11/2008 Kassenaar ..... D7/306  
D581,197 S \* 11/2008 Kassenaar ..... D7/306  
D603,492 S \* 11/2009 Lopez et al. .... D23/318  
D605,263 S \* 12/2009 Nelson et al. .... D23/318  
D638,528 S \* 5/2011 Zhou et al. .... D23/318

\* cited by examiner

*Primary Examiner* — Marianne Pandozzi

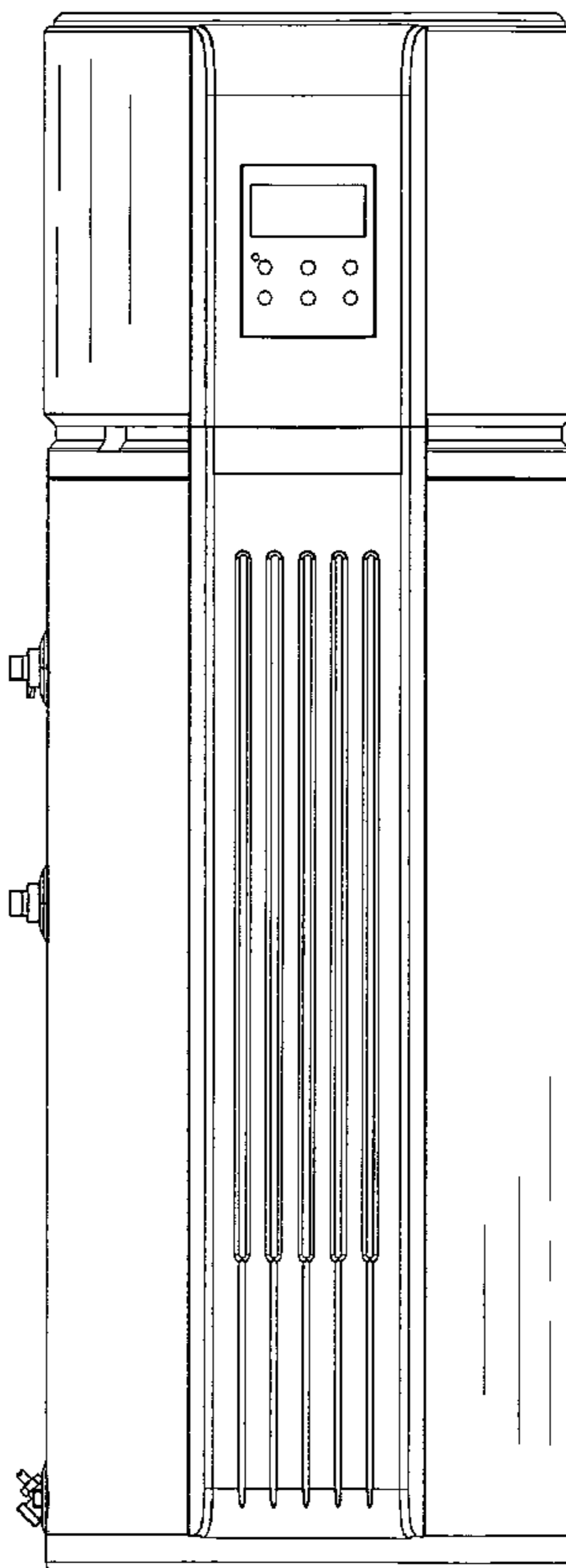
(57) **CLAIM**

The ornamental design for an integral heat pump and hot water dispenser, as shown.

**DESCRIPTION**

FIG. 1 is a front elevational view of an integral heat pump and hot water dispenser showing my new design;  
FIG. 2 is a rear elevational view thereof;  
FIG. 3 is a left side view thereof;  
FIG. 4 is a right side view thereof;  
FIG. 5 is a top plan view thereof;  
FIG. 6 is a bottom plan view thereof; and,  
FIG. 7 is a perspective view thereof.

**1 Claim, 6 Drawing Sheets**



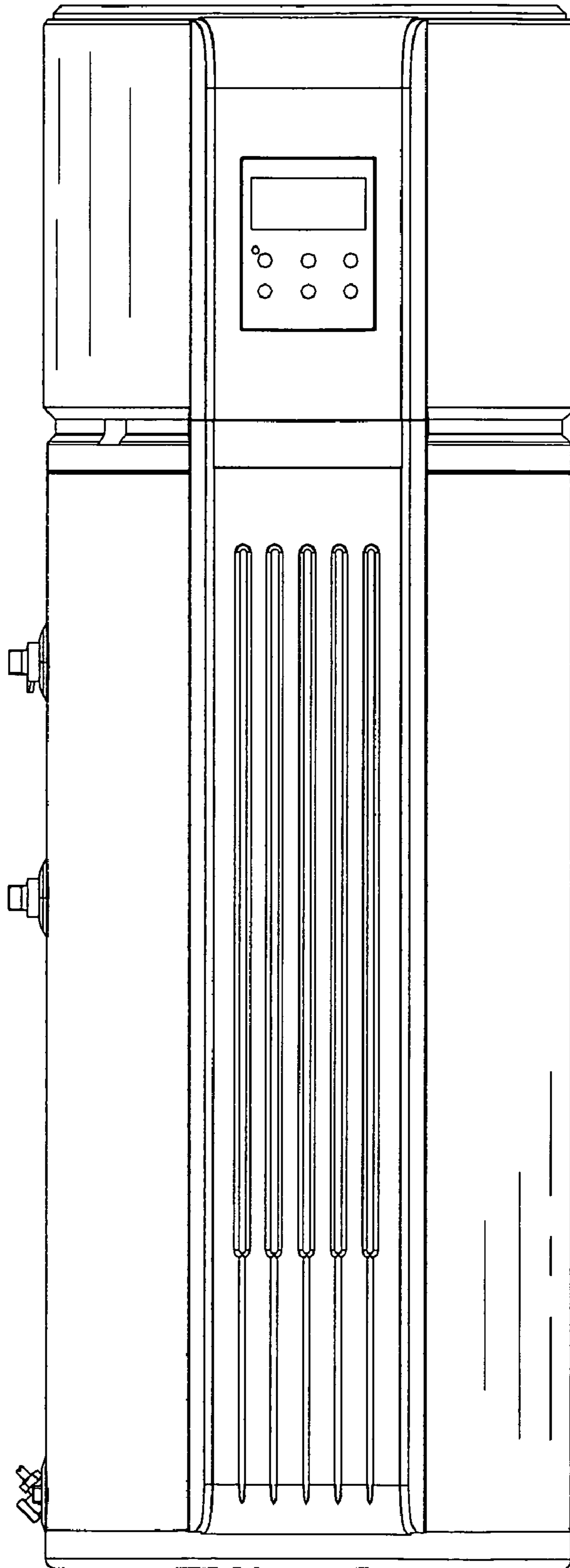


FIG. 1

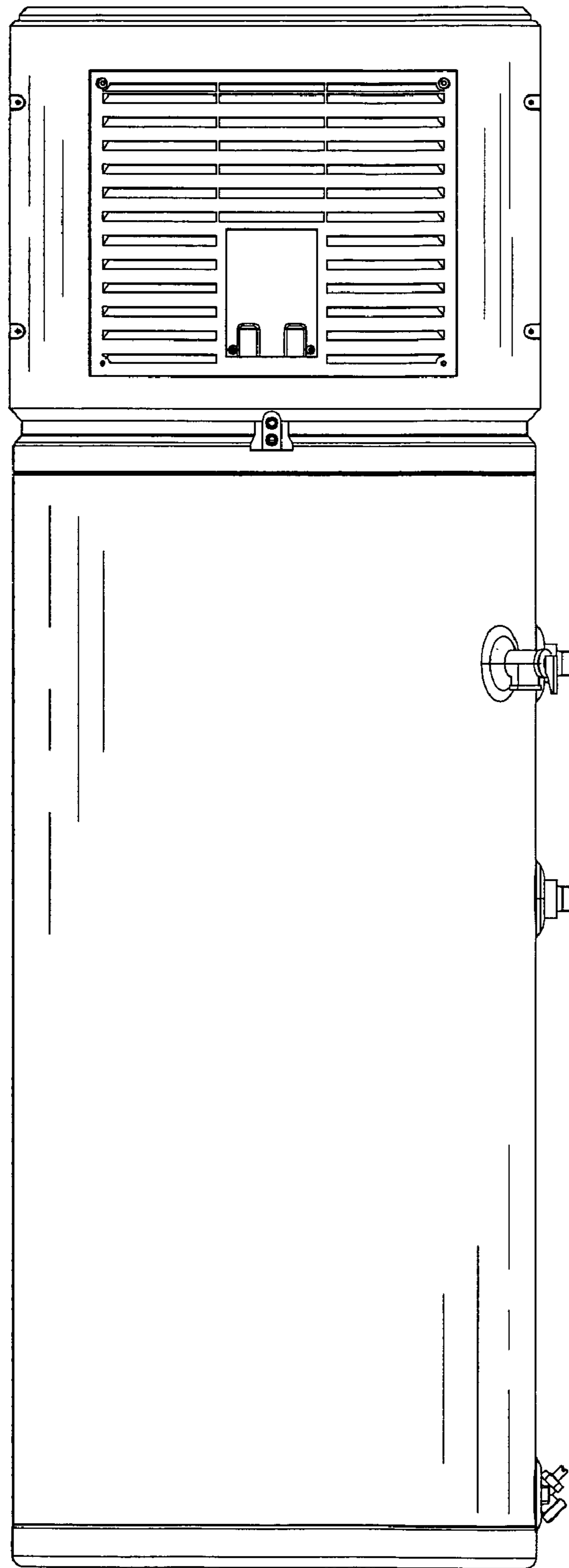


FIG. 2

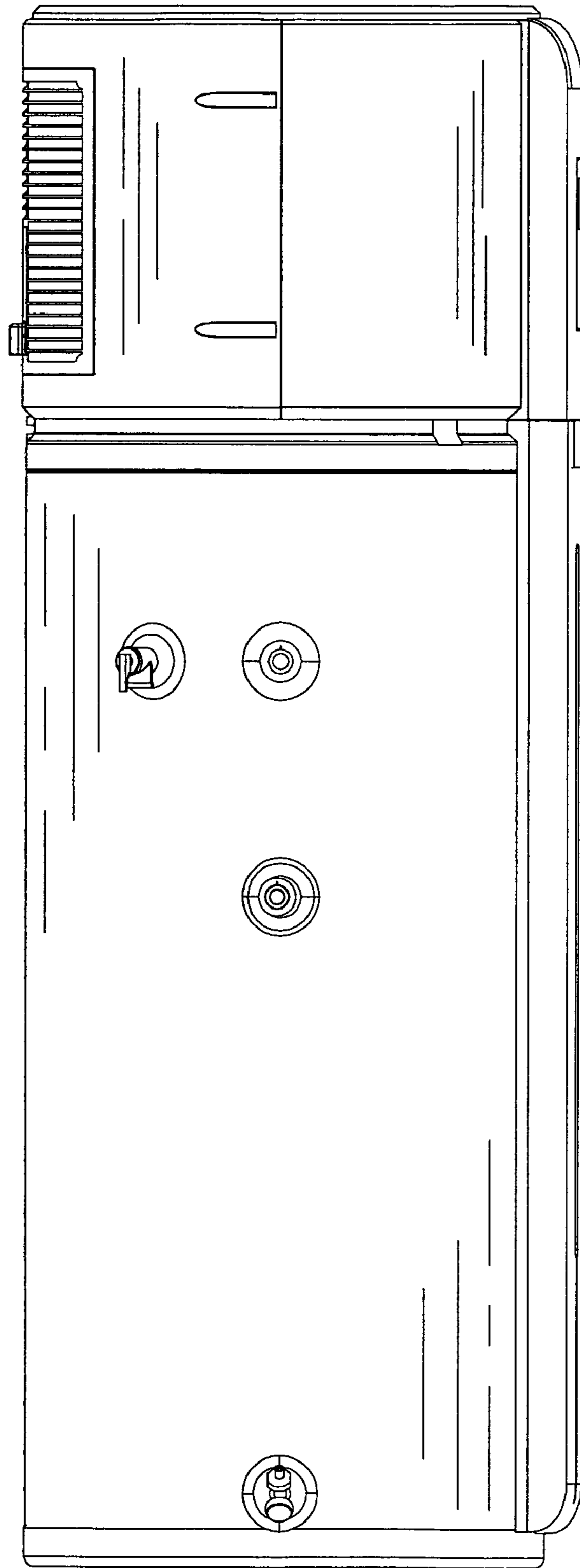


FIG. 3

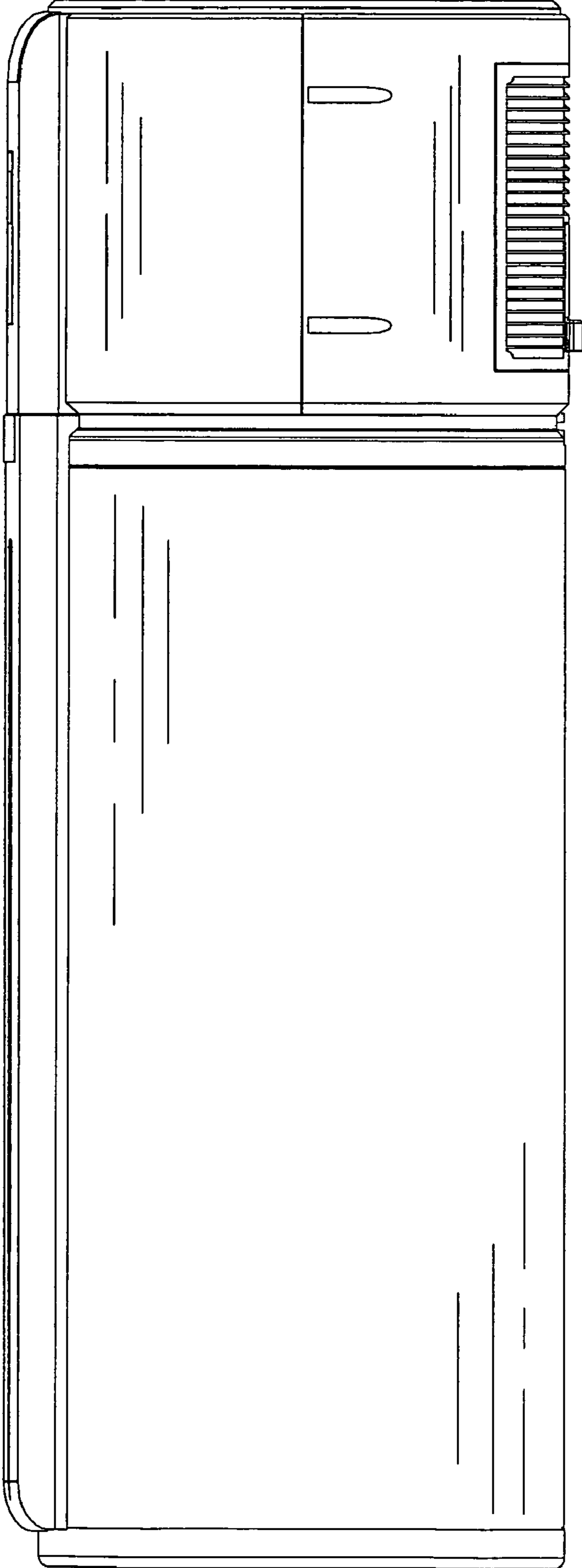


FIG. 4

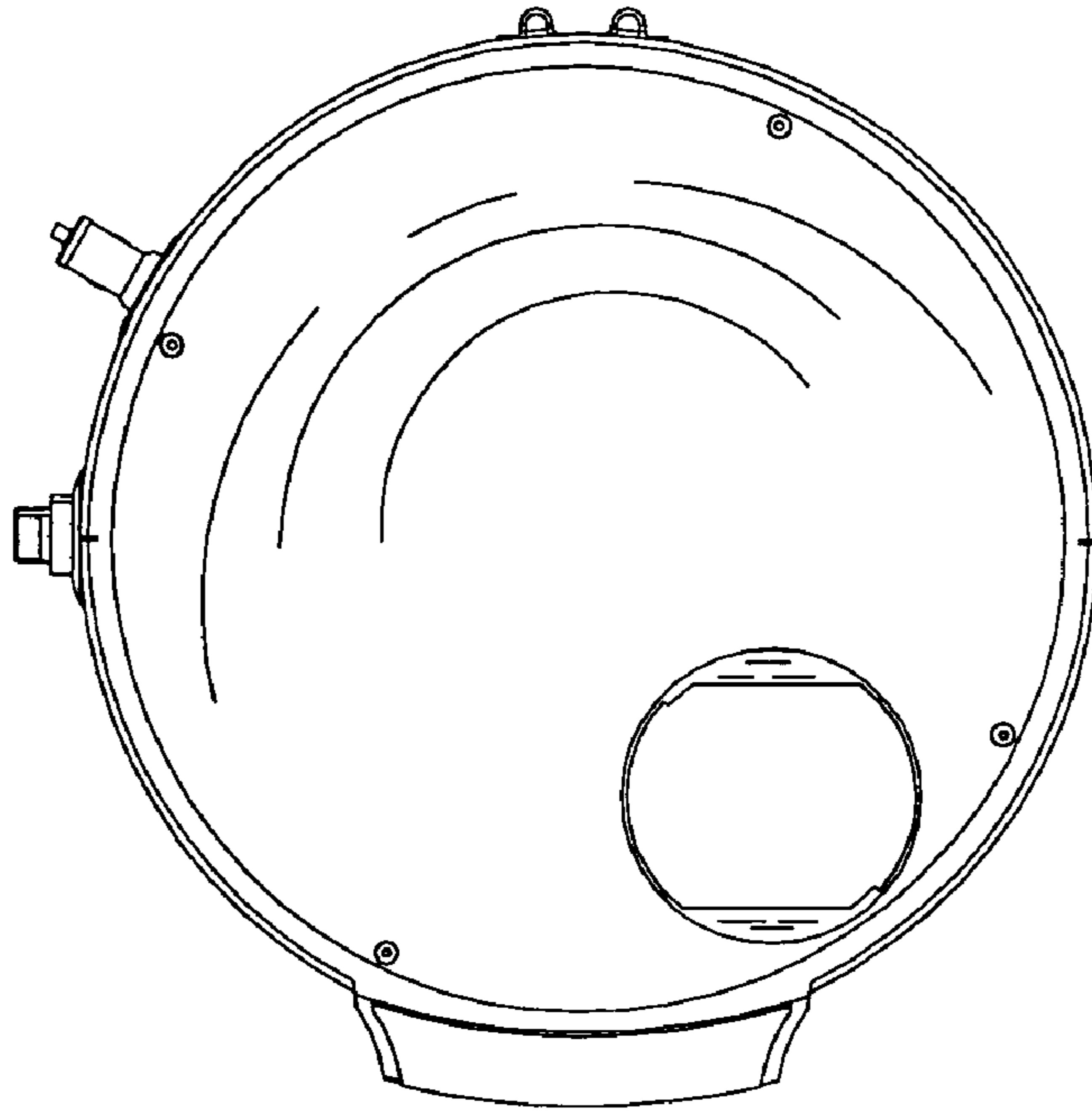


FIG. 5

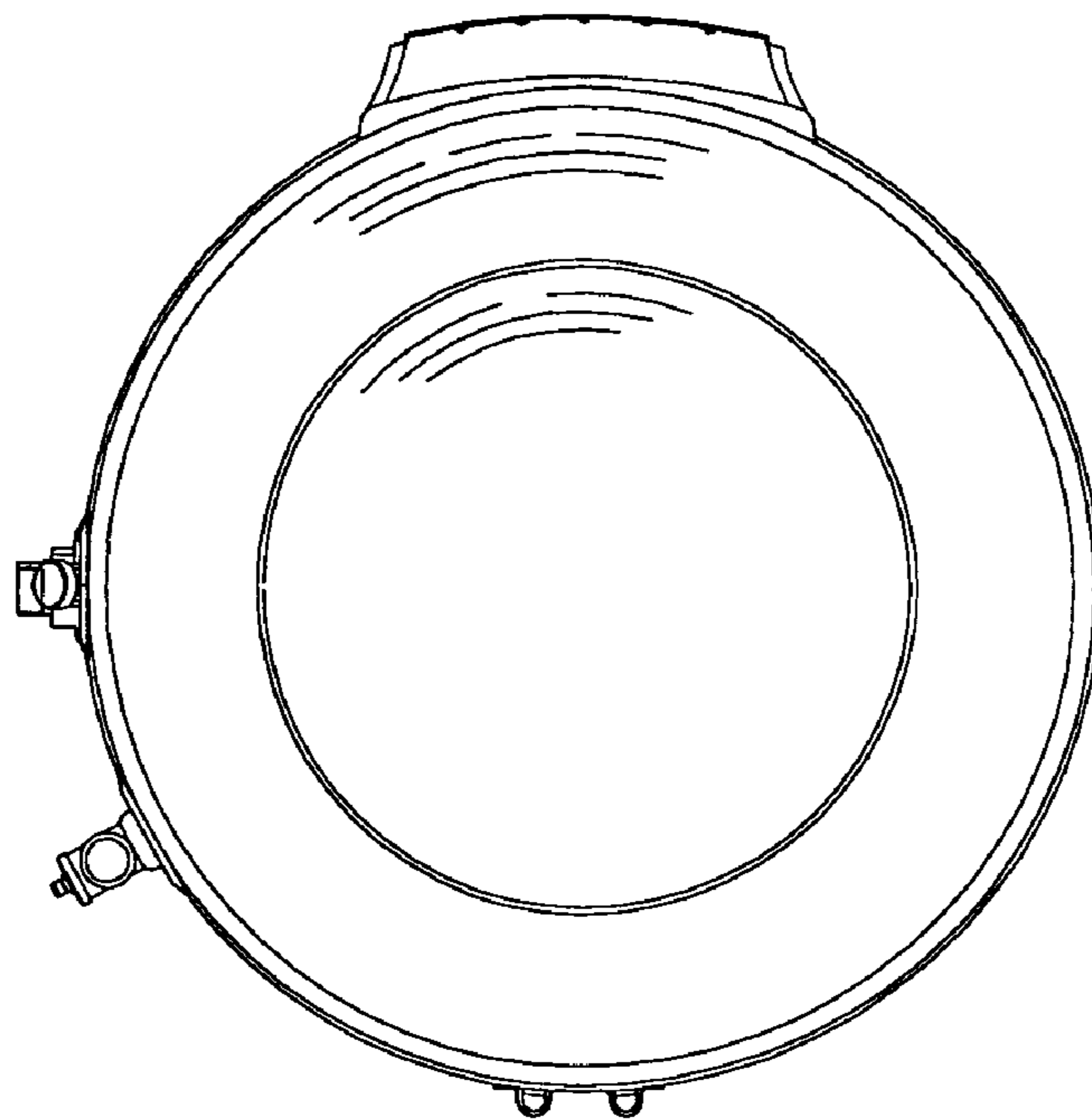


FIG. 6

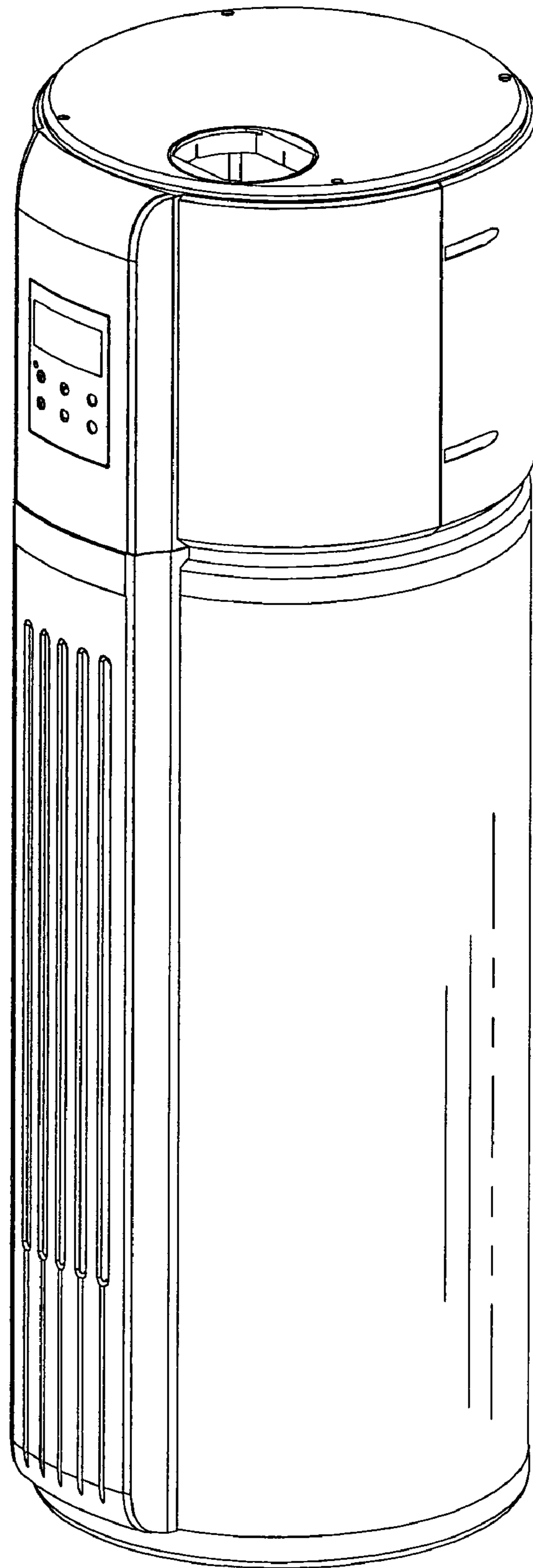


FIG. 7