



US00D646103S

(12) **United States Design Patent**
Saunders et al.

(10) **Patent No.:** **US D646,103 S**
(45) **Date of Patent:** **** Oct. 4, 2011**

(54) **BASKET CONTAINER FOR WINE**
(75) Inventors: **Craig Saunders**, Rocky River, OH (US);
Rachel Nottingham Colosimo,
Cleveland Heights, OH (US); **Jerry**
DeGreen, Windsor, OH (US)
(73) Assignee: **Nottingham Spirk Partners LLC**,
Cleveland, OH (US)

(**) Term: **14 Years**

(21) Appl. No.: **29/358,653**

(22) Filed: **Mar. 30, 2010**

(51) **LOC (9) Cl.** **07-01**

(52) **U.S. Cl.** **D7/302; D7/301; D7/306**

(58) **Field of Classification Search** D7/392,
D7/608, 313, 306, 301, 605, 300, 302; D3/277,
D3/306; 217/123-125; 220/318, 660
See application file for complete search history.

(56) **References Cited**

U.S. PATENT DOCUMENTS

| | | | | | |
|-----------|-----|---------|------------------|-------|---------|
| 1,394,463 | A * | 10/1921 | Allen | | 217/124 |
| 2,054,744 | A * | 9/1936 | Florang | | 217/123 |
| D155,116 | S * | 9/1949 | Addleston et al. | | D7/313 |
| 2,777,595 | A * | 1/1957 | Roof | | 217/125 |
| 2,808,171 | A * | 10/1957 | Wilson | | 217/124 |
| 3,057,508 | A * | 10/1962 | Kimbrough, Jr. | | 220/318 |
| 3,302,679 | A * | 2/1967 | Padovani | | 220/660 |
| D234,616 | S * | 3/1975 | Meyers et al. | | D21/465 |
| D259,232 | S * | 5/1981 | Tarozzi | | D7/313 |
| D259,320 | S * | 5/1981 | Tarozzi | | D7/313 |
| D283,480 | S * | 4/1986 | Bailey | | D7/605 |

| | | | | | |
|-----------|------|---------|--------------------|-------|-----------|
| D298,602 | S * | 11/1988 | Price | | D7/313 |
| D354,419 | S * | 1/1995 | Kahl et al. | | D7/605 |
| D366,387 | S * | 1/1996 | Malmborg et al. | | D7/313 |
| D407,609 | S * | 4/1999 | Rausch | | D7/605 |
| D408,633 | S * | 4/1999 | Longaberger et al. | | D3/306 |
| D415,897 | S * | 11/1999 | Lacy et al. | | D3/277 |
| D426,386 | S * | 6/2000 | Lacy et al. | | D3/306 |
| D434,277 | S * | 11/2000 | Martel | | D7/586 |
| D443,984 | S * | 6/2001 | Lacy et al. | | D3/309 |
| D463,123 | S * | 9/2002 | Hradisky | | D3/306 |
| D502,360 | S * | 3/2005 | Kautz | | D7/392 |
| 7,328,816 | B2 * | 2/2008 | Shannon et al. | | 222/185.1 |

* cited by examiner

Primary Examiner — Marianne Pandozzi

(74) *Attorney, Agent, or Firm* — Rankin Hill & Clark LLP

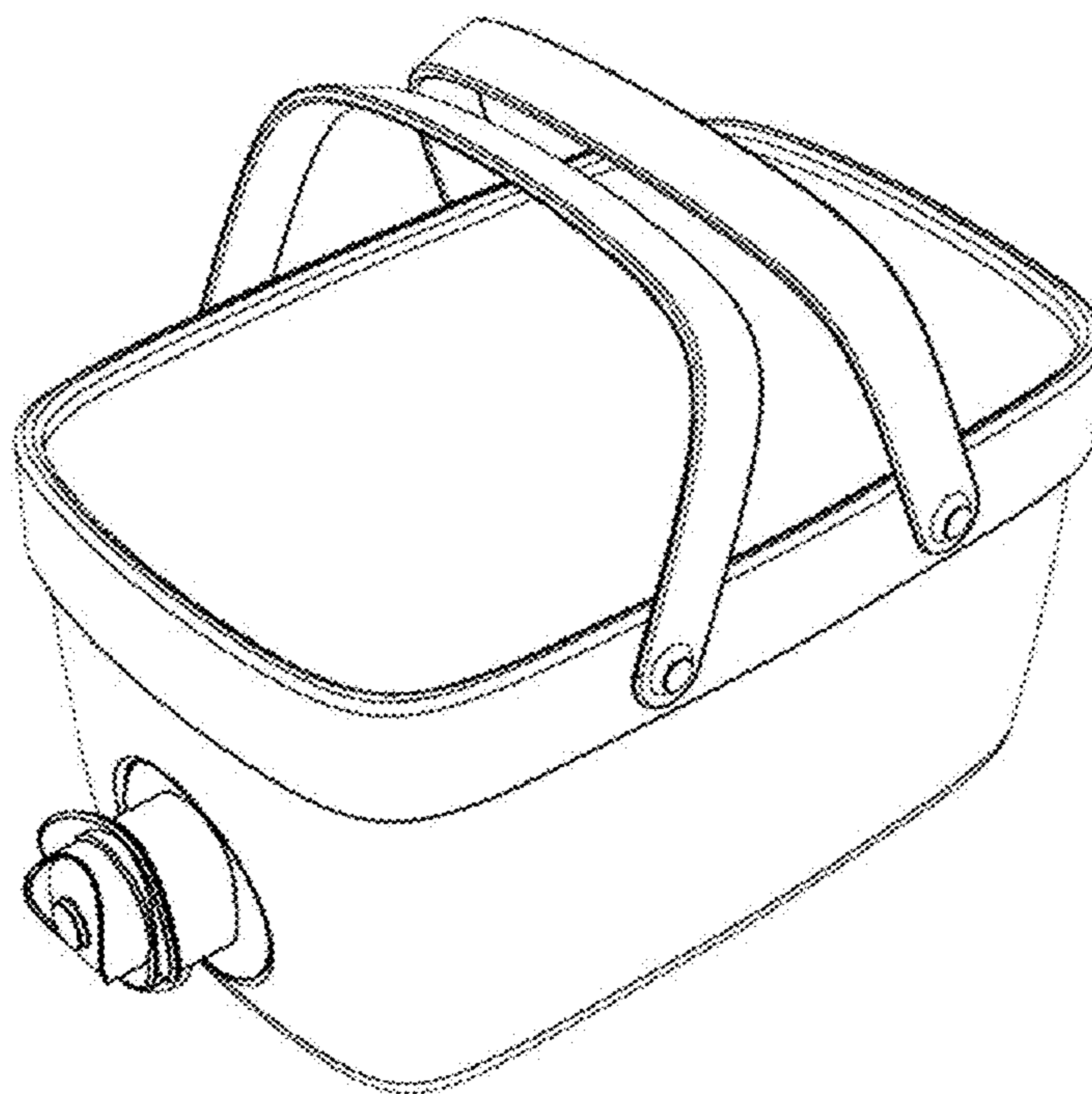
(57) **CLAIM**

The ornamental design for a basket container for wine, as shown and described.

DESCRIPTION

FIG. 1 is a perspective view of a basket container for wine showing our new design,
FIG. 2 is a perspective view thereof with the handles in alternate position;
FIG. 3 is a top plan view of FIG. 1;
FIG. 4 is a bottom view thereof;
FIG. 5 is a front view thereof;
FIG. 6 is a rear view thereof; and,
FIG. 7 is a side view thereof, with the other side view being a mirror image.

1 Claim, 4 Drawing Sheets



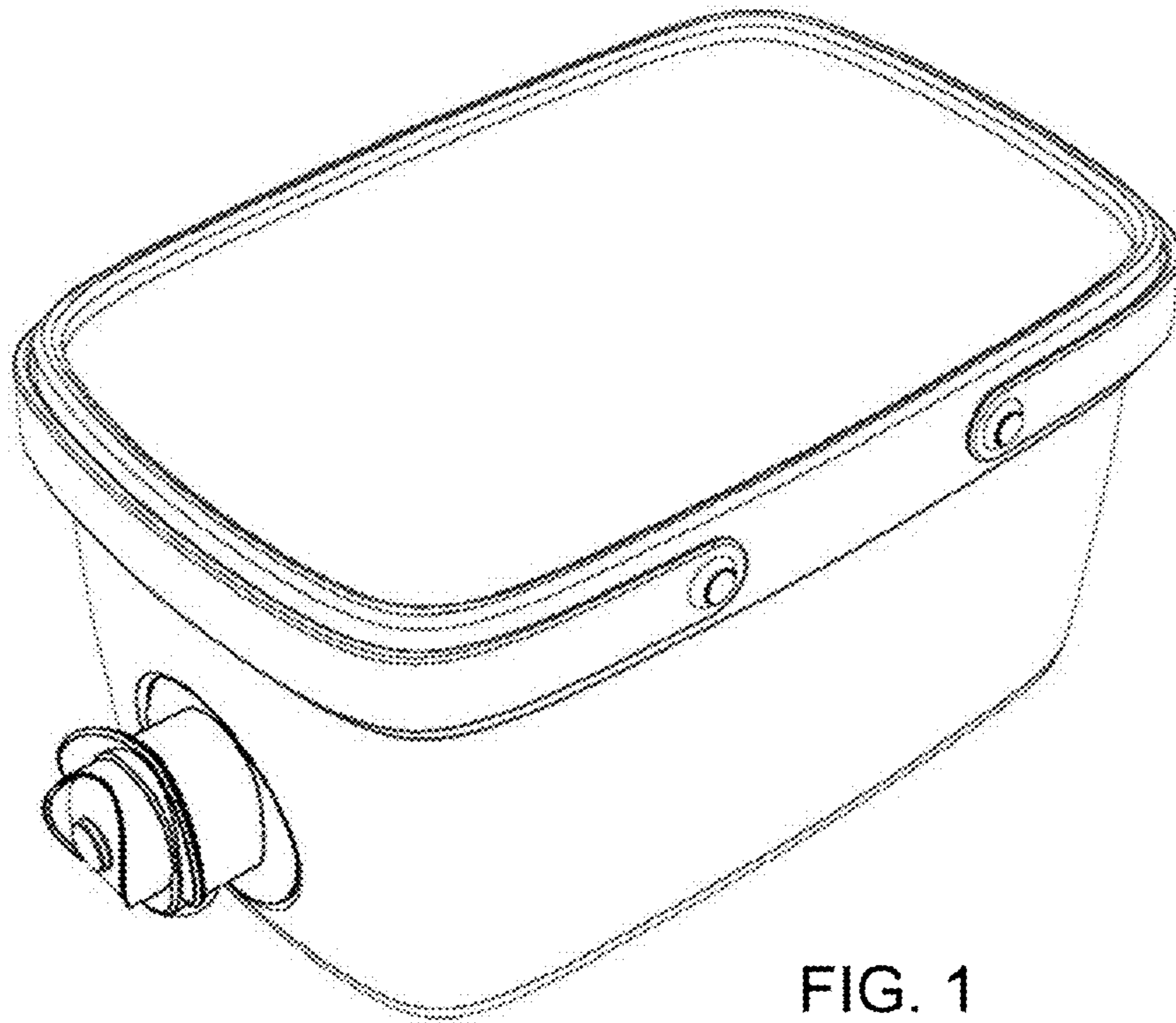


FIG. 1

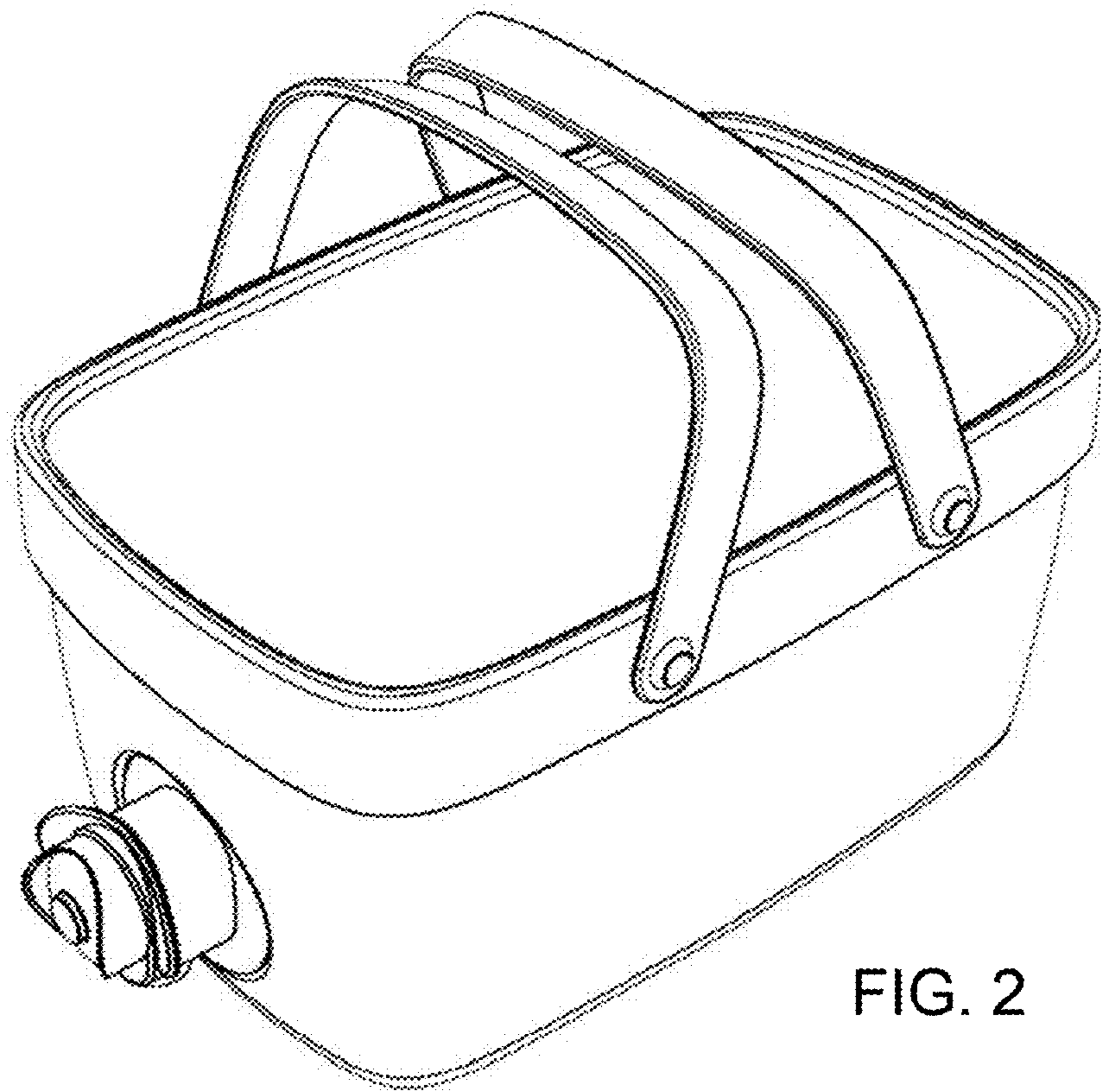


FIG. 2

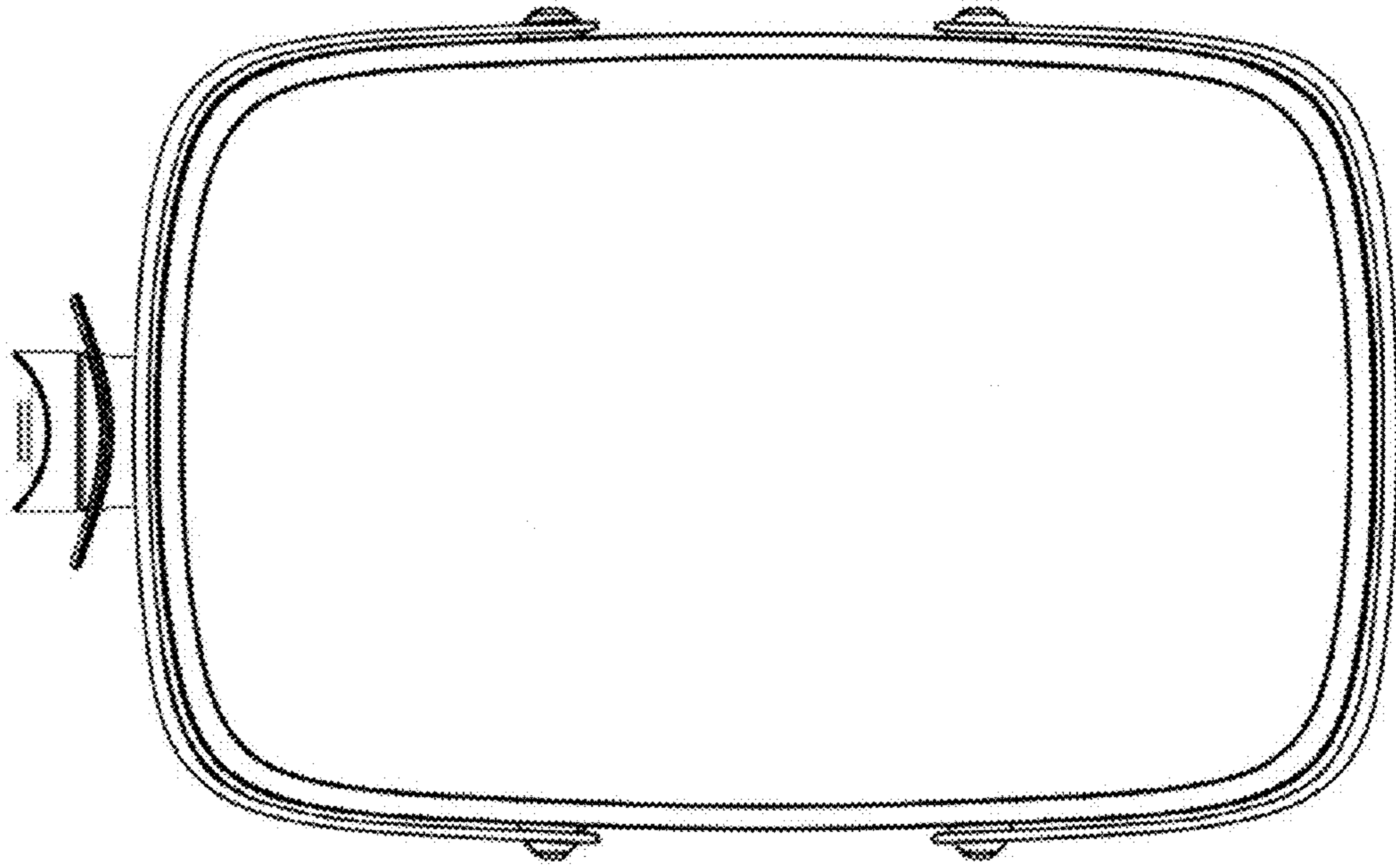


FIG. 3

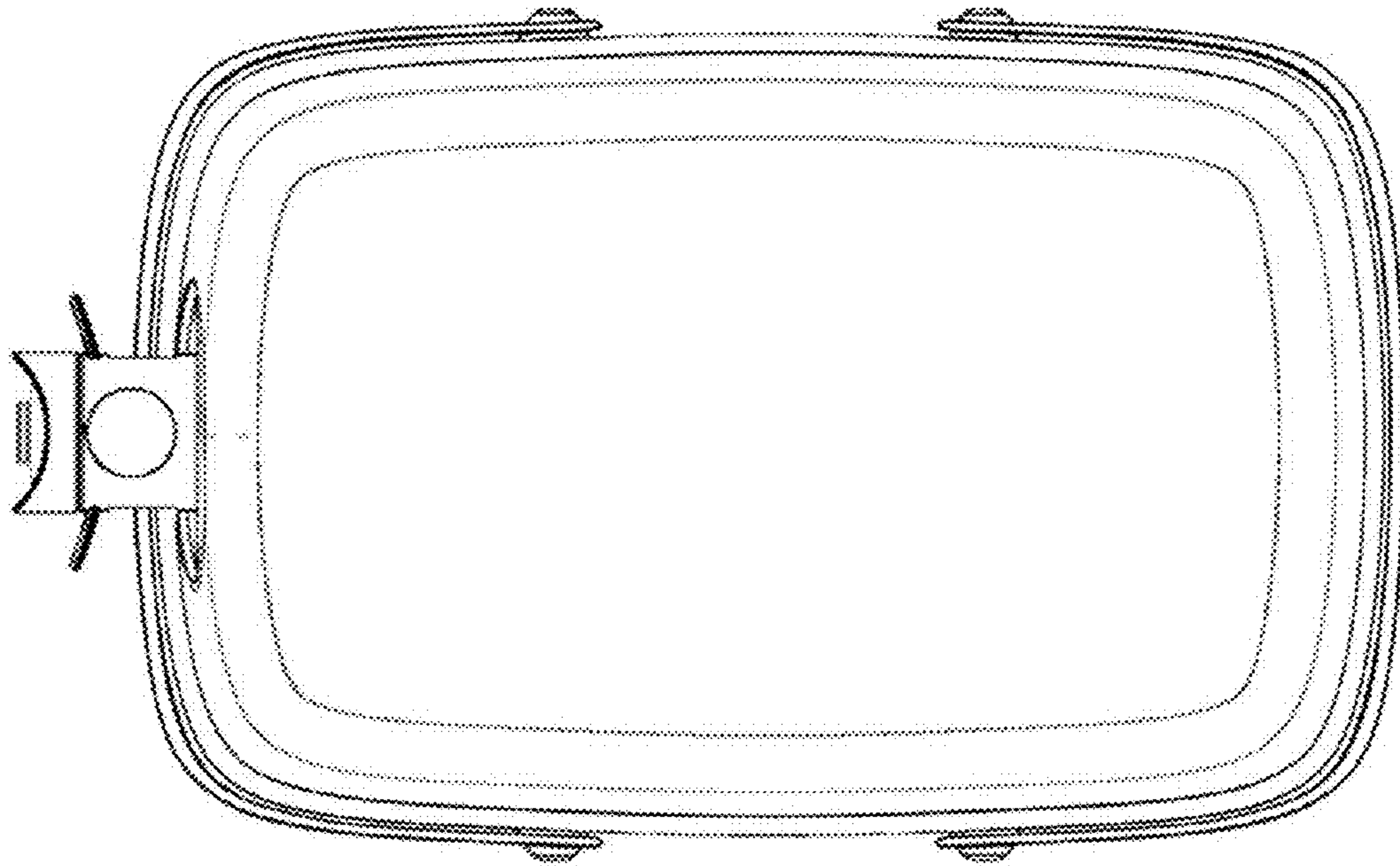


FIG. 4

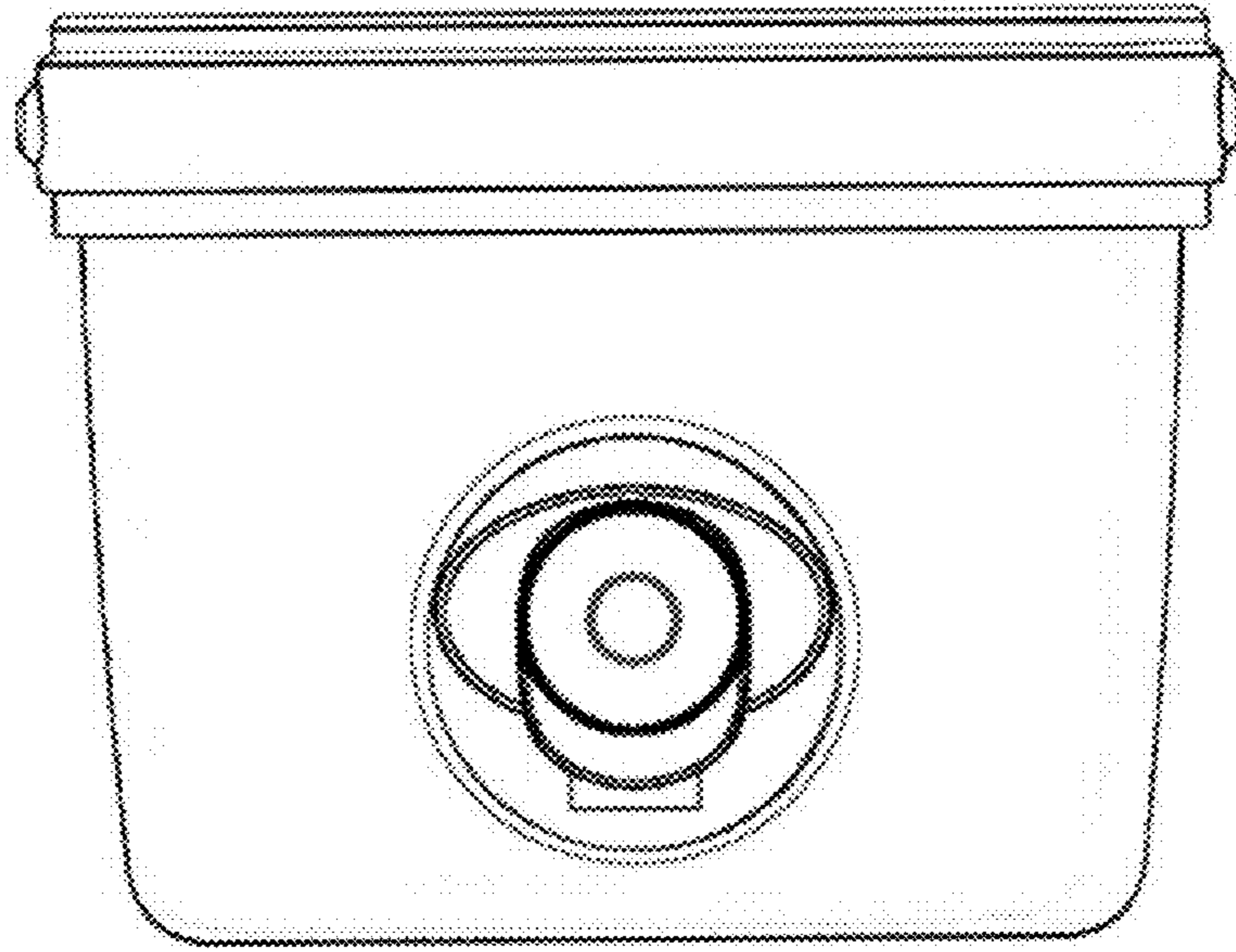


FIG. 5

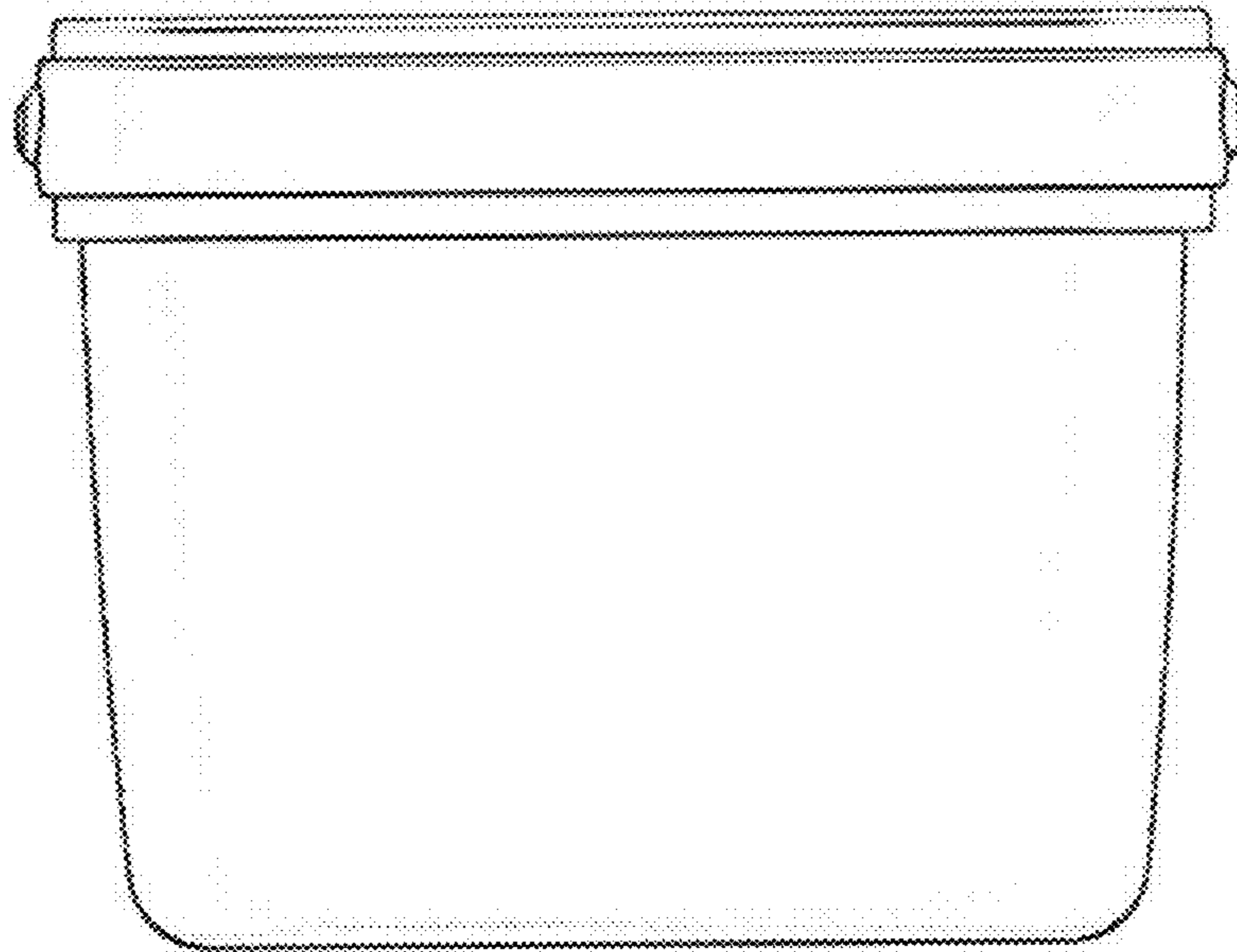


FIG. 6

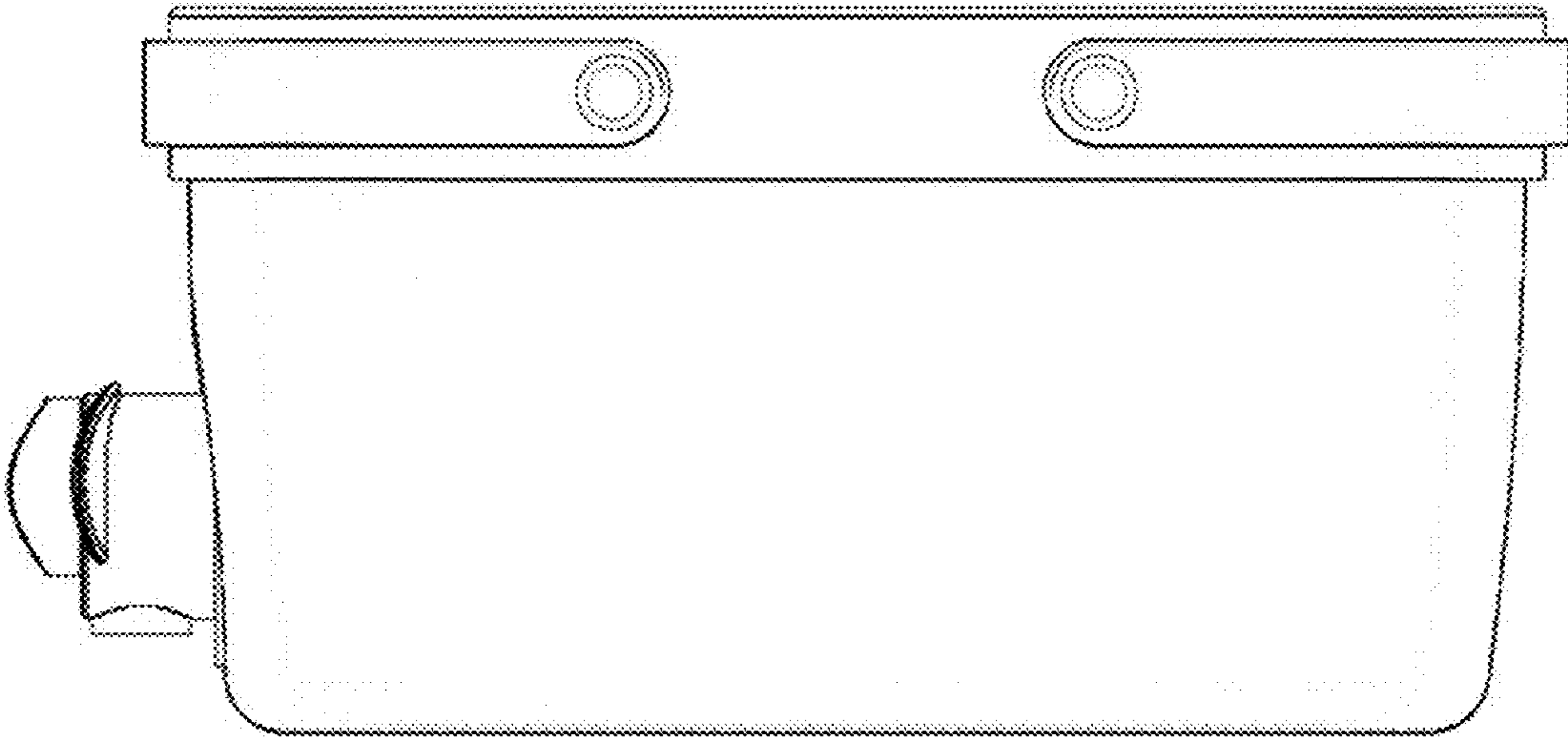


FIG. 7