



US00D646098S

(12) **United States Design Patent**
Schulte

(10) **Patent No.:** **US D646,098 S**

(45) **Date of Patent:** **** Oct. 4, 2011**

(54) **BED FRAME FOOT REST**

(76) **Inventor:** **John J. Schulte**, San Clemente, CA (US)

(**) **Term:** **14 Years**

(21) **Appl. No.:** **29/316,505**

(22) **Filed:** **Oct. 5, 2009**

(51) **LOC (9) Cl.** **06-06**

(52) **U.S. Cl.** **D6/503**

(58) **Field of Classification Search** D6/382,
D6/392-395, 503, 349; 5/503.1, 507.1; 108/47;
182/91, 92; 297/423.1, 423.39, 423.4
See application file for complete search history.

(56) **References Cited**

U.S. PATENT DOCUMENTS

2,941,215	A *	6/1960	Johnson	5/507.1
2,975,436	A *	3/1961	Ries	5/507.1
4,222,136	A *	9/1980	Valentino	5/507.1

7,716,757	B2 *	5/2010	Sumpton et al.	182/91
2009/0224591	A1 *	9/2009	Langhorn	297/423.39
2011/0078856	A1 *	4/2011	Schulte	5/507.1

* cited by examiner

Primary Examiner — Janice Seeger

(74) *Attorney, Agent, or Firm* — Edward E. Roberts

(57) **CLAIM**

The ornamental design for a bed frame foot rest, as shown and described.

DESCRIPTION

FIG. 1 is a perspective view of the bed frame foot rest of my new design;
FIG. 2 is a left side elevational view thereof;
FIG. 3 is a right side elevational view thereof;
FIG. 4 is a front elevational view thereof;
FIG. 5 is a rear elevational view thereof;
FIG. 6 is a top plan view thereof; and,
FIG. 7 is a bottom plan view thereof.
The broken lines shown in FIG. 1 are for illustrative purposes only and form no part of the claim.

1 Claim, 3 Drawing Sheets

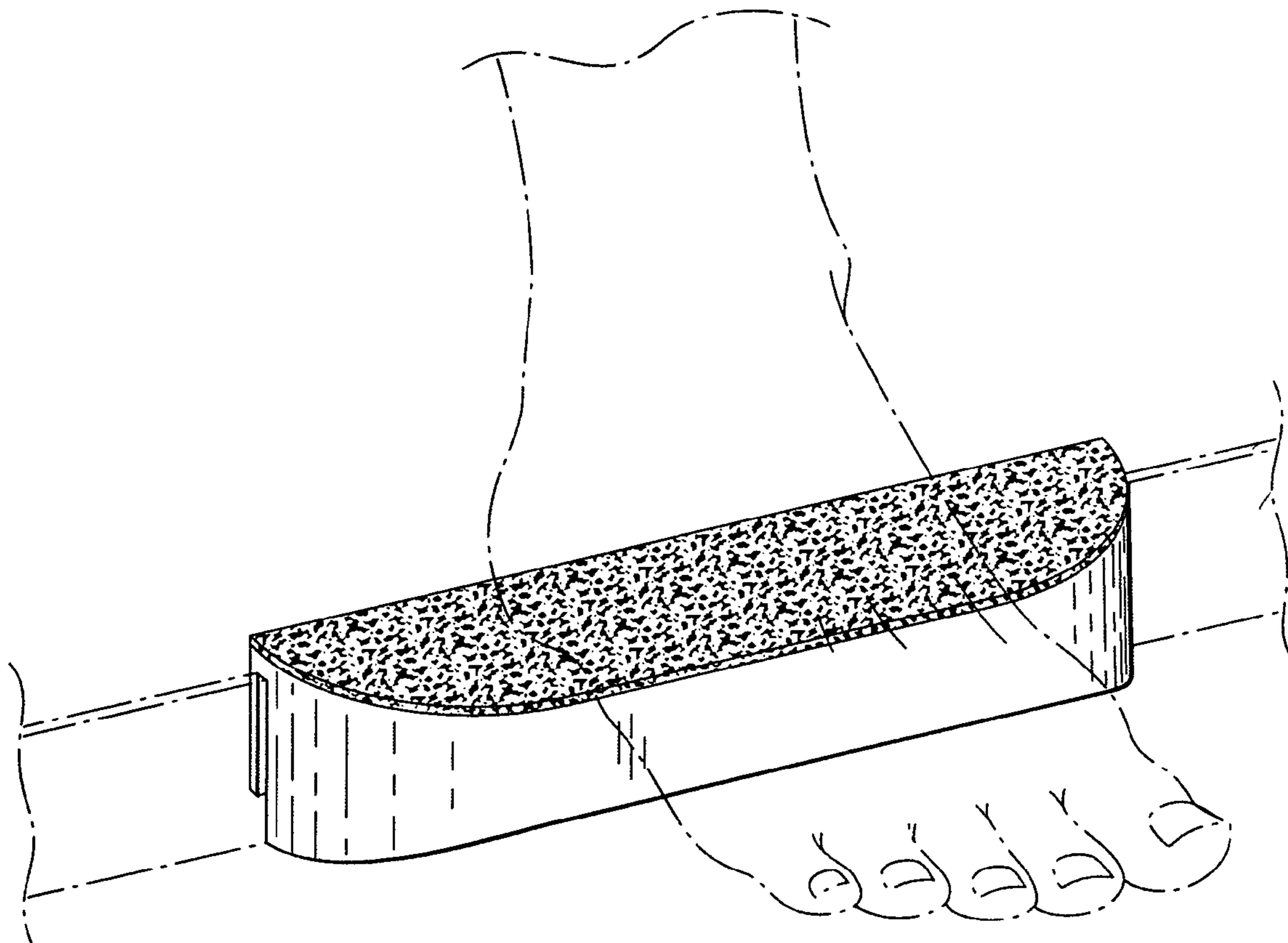


Fig. 1

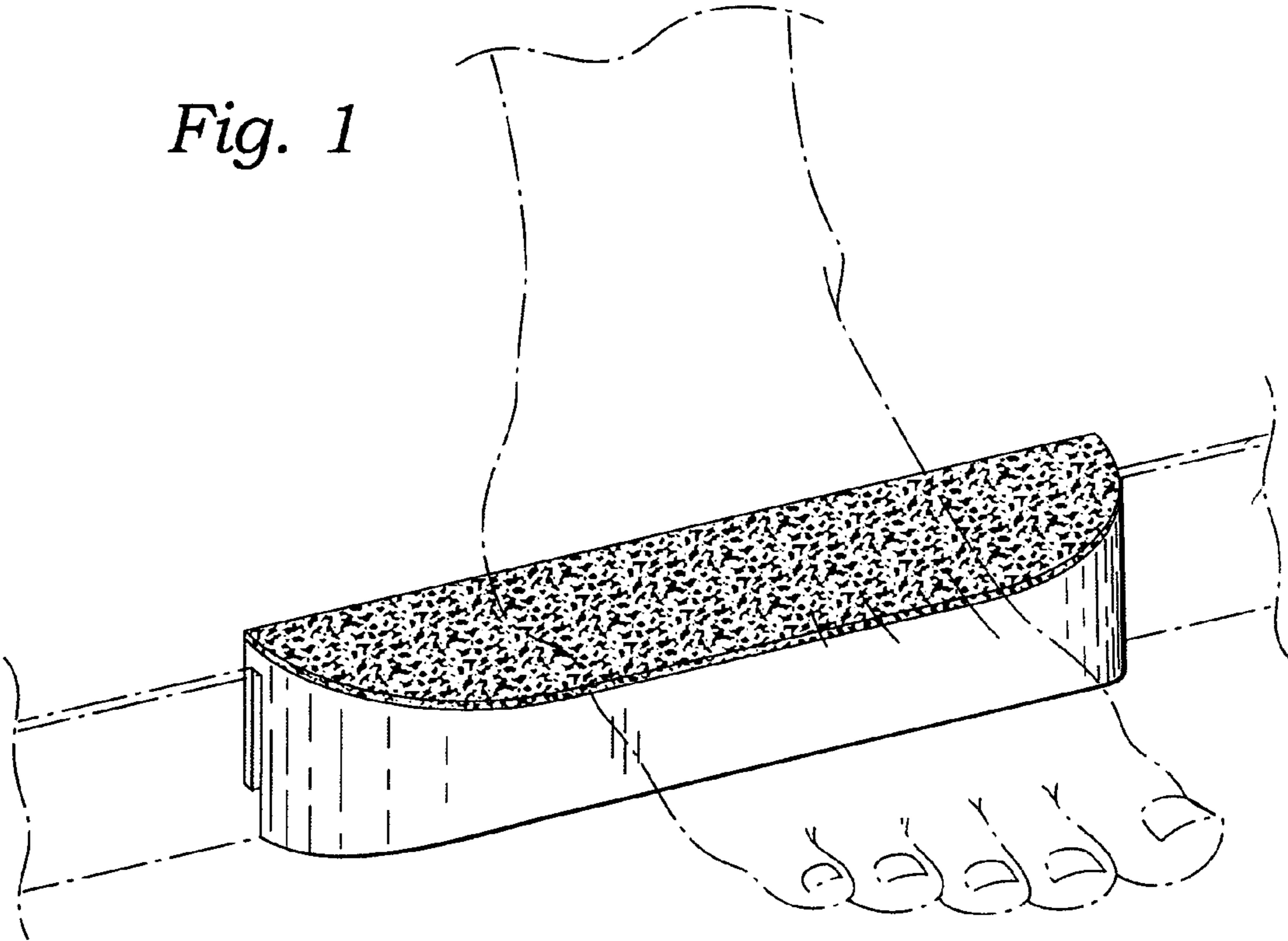


Fig. 2

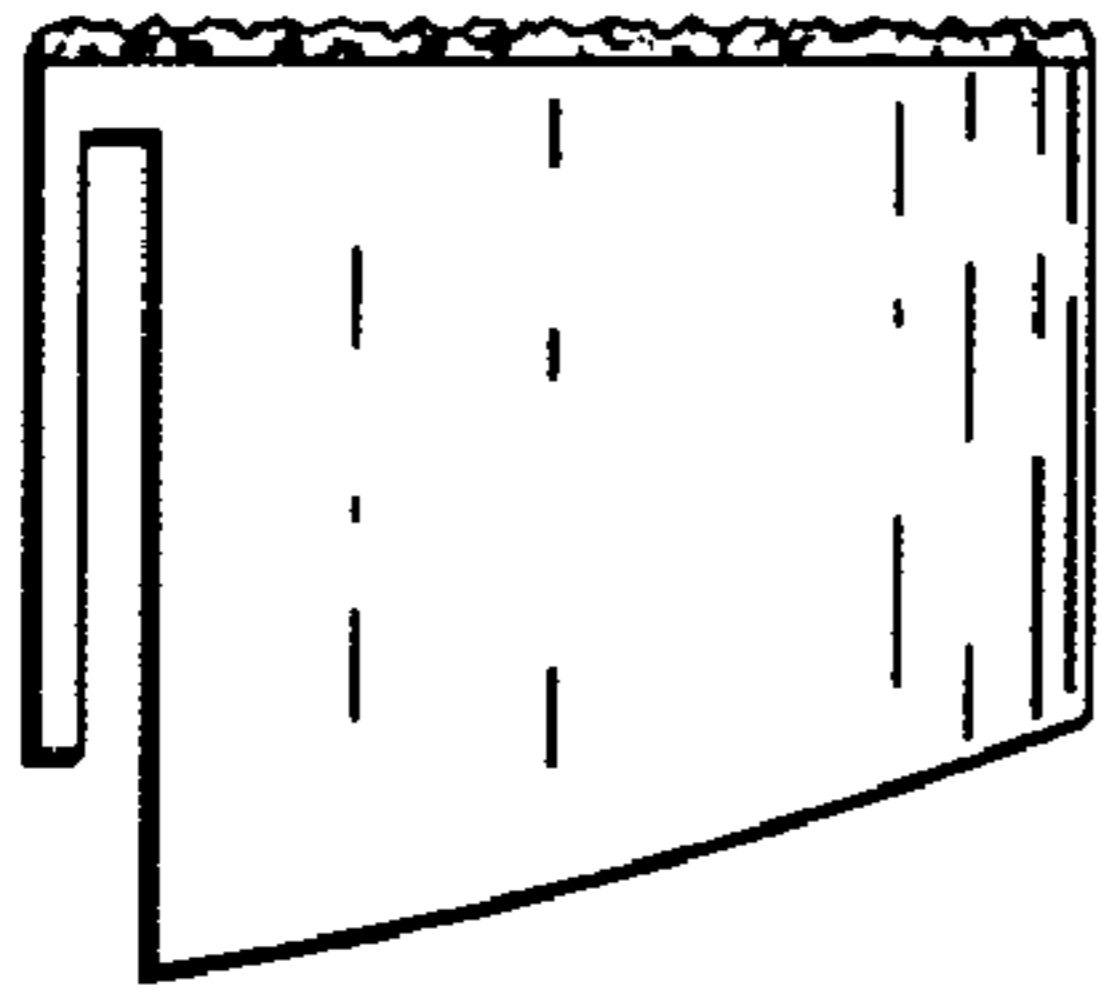


Fig. 3

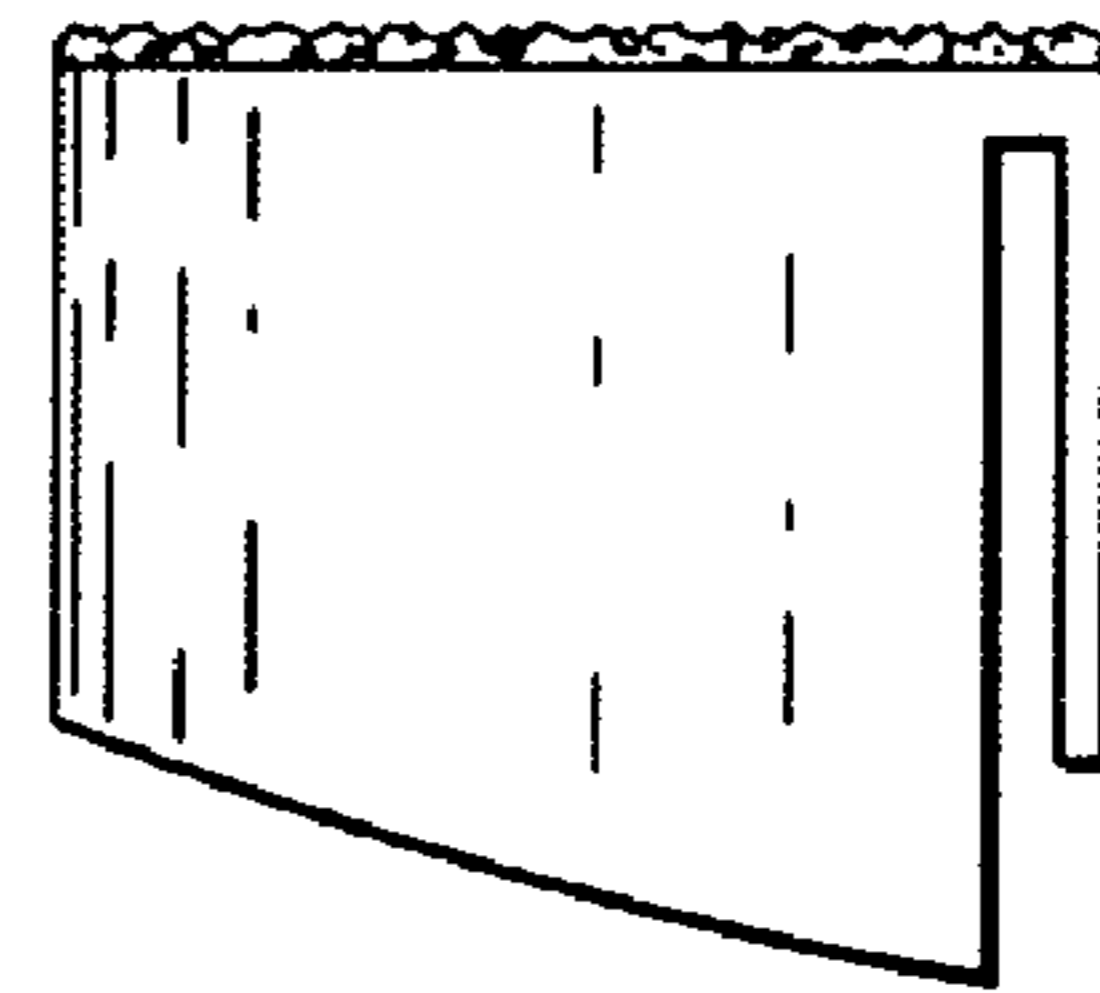


Fig. 4

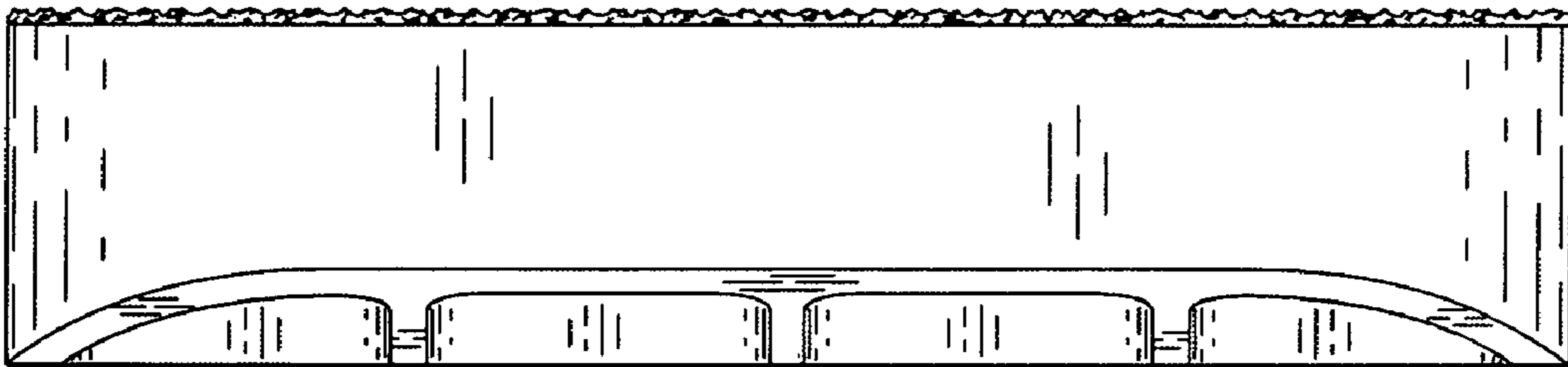


Fig. 5

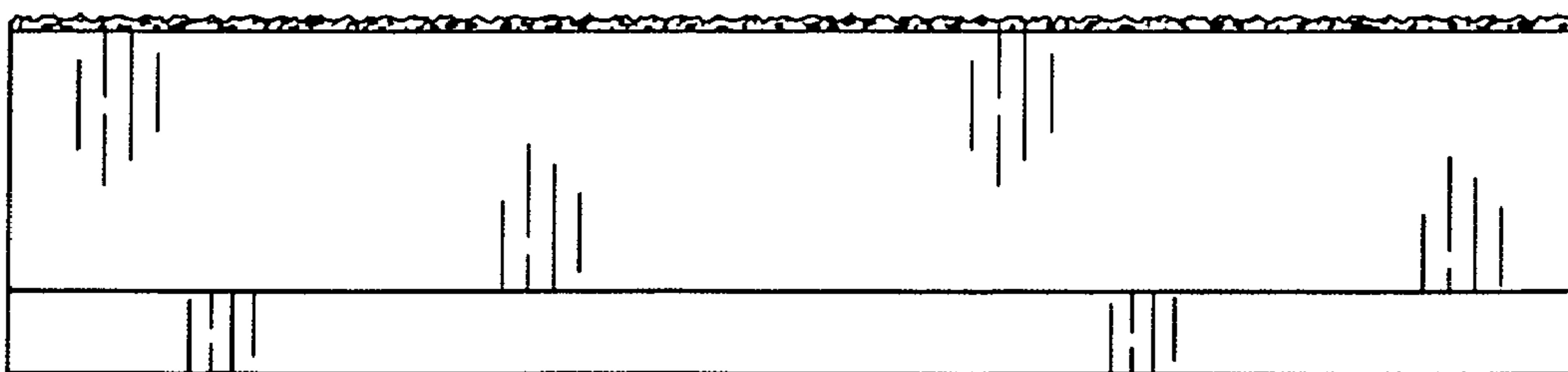


Fig. 6

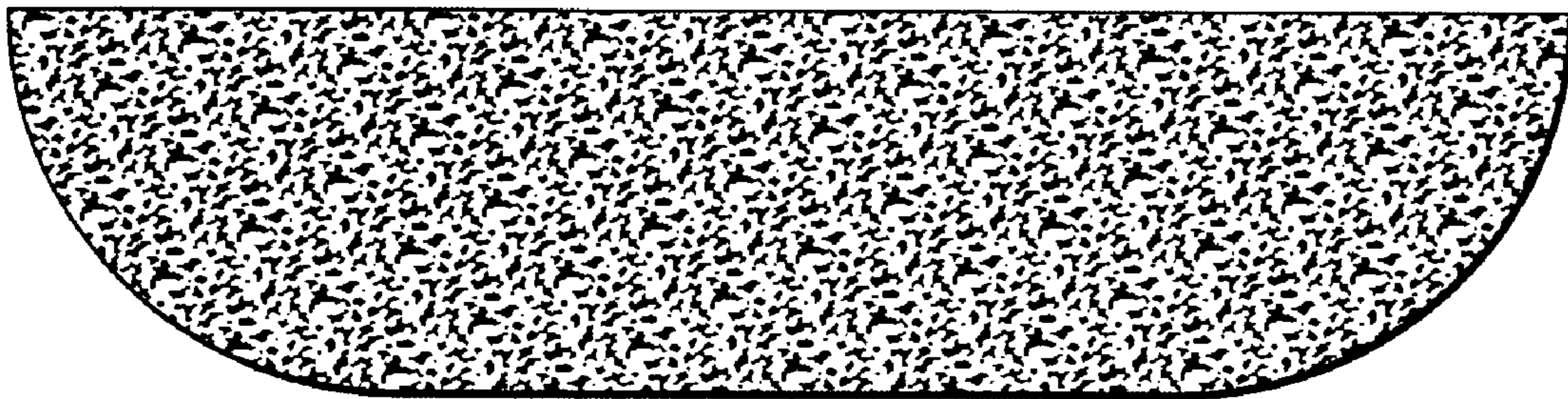


Fig. 7

