



US00D646096S

(12) **United States Design Patent**
Langbord et al.

(10) **Patent No.:** **US D646,096 S**

(45) **Date of Patent:** **** Oct. 4, 2011**

(54) **CHAIR BACK**

(75) Inventors: **Kay L. Langbord**, Marina Del Rey, CA (US); **Terry J. McElmurry**, Sylvania, OH (US)

(73) Assignee: **Michigan Tube Swagers & Fabricators, Inc.**, Temperance, MI (US)

(**) Term: **14 Years**

(21) Appl. No.: **29/380,999**

(22) Filed: **Dec. 14, 2010**

(51) **LOC (9) Cl.** **06-01**

(52) **U.S. Cl.** **D6/502**

(58) **Field of Classification Search** D6/334-336, D6/341, 360-369, 371-380, 491-492, 498, D6/500-502, 601; D14/129, 374-377, 448-450; 297/232-233, 239, 284.4-284.5, 297, 300.1, 297/311, 353, 445.1, 446.1-446.2, 448.1-448.2, 297/452.11, DIG. 8

See application file for complete search history.

(56) **References Cited**

U.S. PATENT DOCUMENTS

D172,218 S *	5/1954	Burst	D6/374
D189,347 S *	11/1960	Chapman	D6/375
D200,640 S *	3/1965	Yamasaki	D6/375
3,485,527 A *	12/1969	Barghout	297/445.1
D341,954 S *	12/1993	Thompson	D6/374
D411,699 S *	6/1999	Bond et al.	D6/502
D427,444 S *	7/2000	Risdall	D6/375

D450,944 S *	11/2001	Shepard et al.	D6/369
D489,193 S	5/2004	Muller		
D505,034 S *	5/2005	Barry	D6/502
D547,957 S *	8/2007	Muller	D6/360
D555,381 S	11/2007	Swanson		
D595,515 S *	7/2009	Collette	D6/334
D629,223 S *	12/2010	Swy	D6/374

* cited by examiner

Primary Examiner — Ricky Pham

(74) *Attorney, Agent, or Firm* — Gifford, Krass, Sprinkle, Anderson & Citkowski, P.C.

(57) **CLAIM**

The ornamental design for a chair back, as shown and described.

DESCRIPTION

FIG. 1 is a perspective view of a chair back the present invention;

FIG. 2 is a side elevational view of the chair back of FIG. 1, the opposite side being a mirror image thereof;

FIG. 3 is a front elevational view of the chair back of FIGS. 1 and 2;

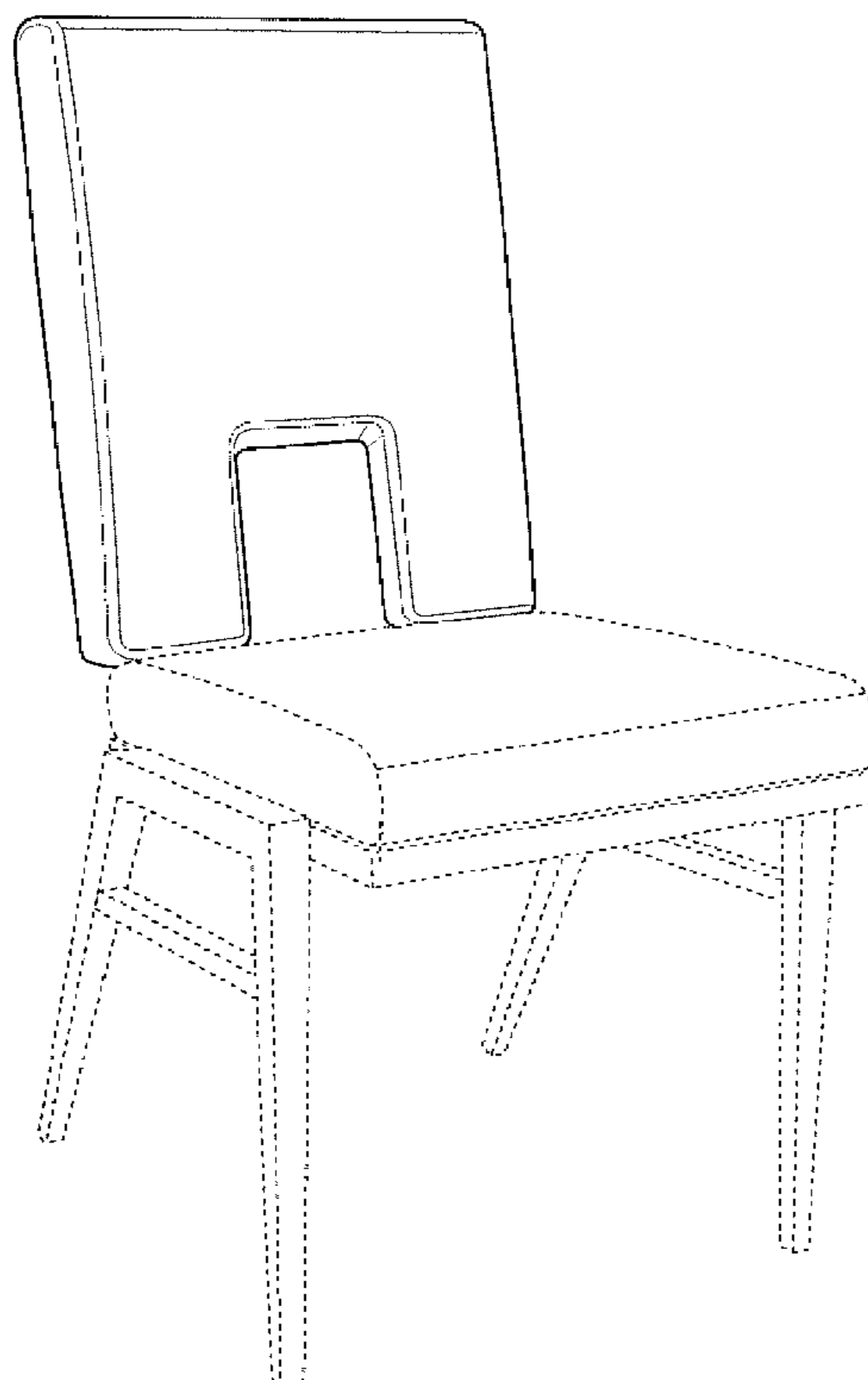
FIG. 4 is a rear elevational view of the chair back of FIGS. 1-3;

FIG. 5 is a top view of the chair back of FIGS. 1-4; and,

FIG. 6 is a bottom view of the chair back of FIGS. 1-6.

The broken lines shown in the Figures are for environmental purposes only and form no part of the claimed design.

1 Claim, 3 Drawing Sheets



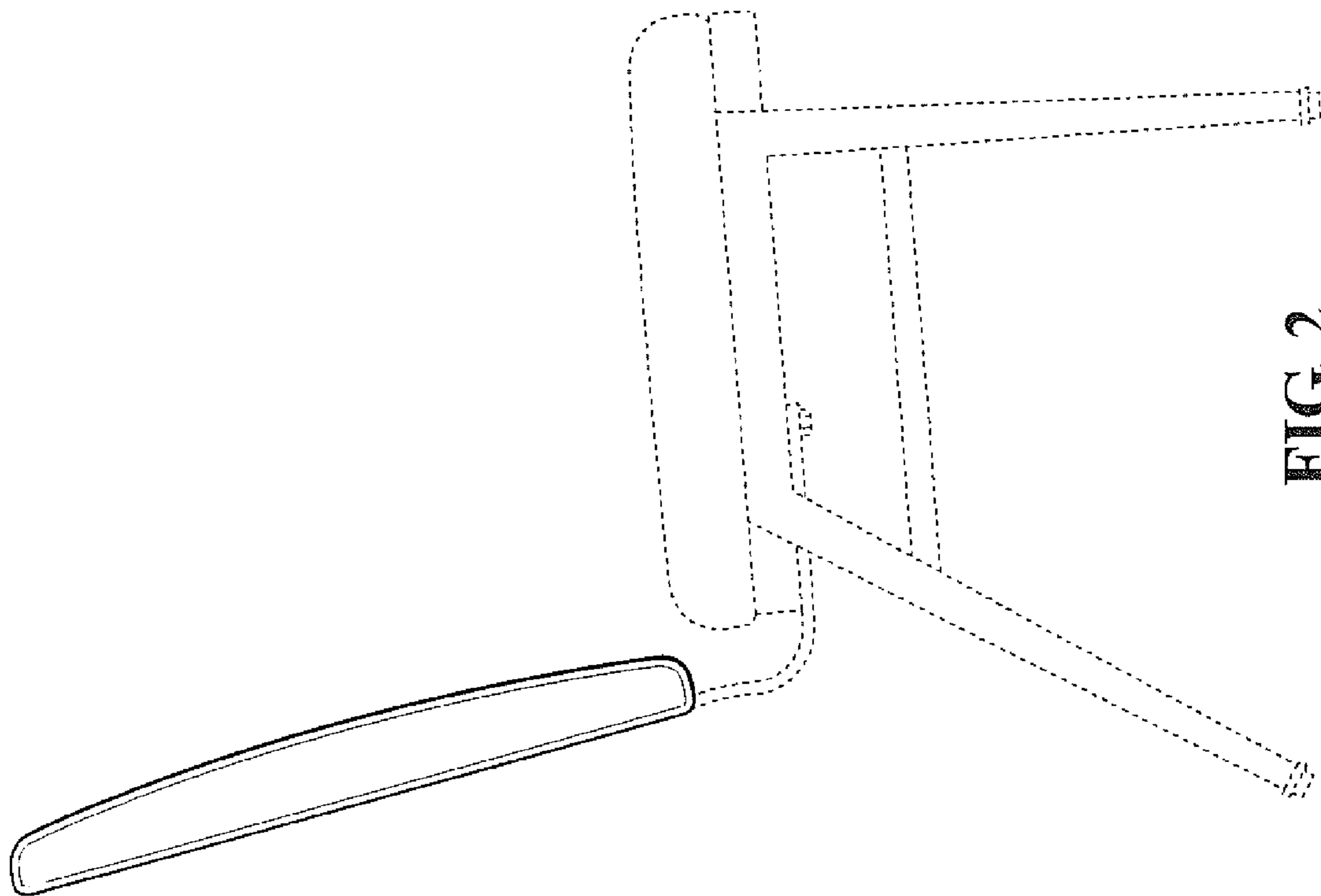


FIG. 2

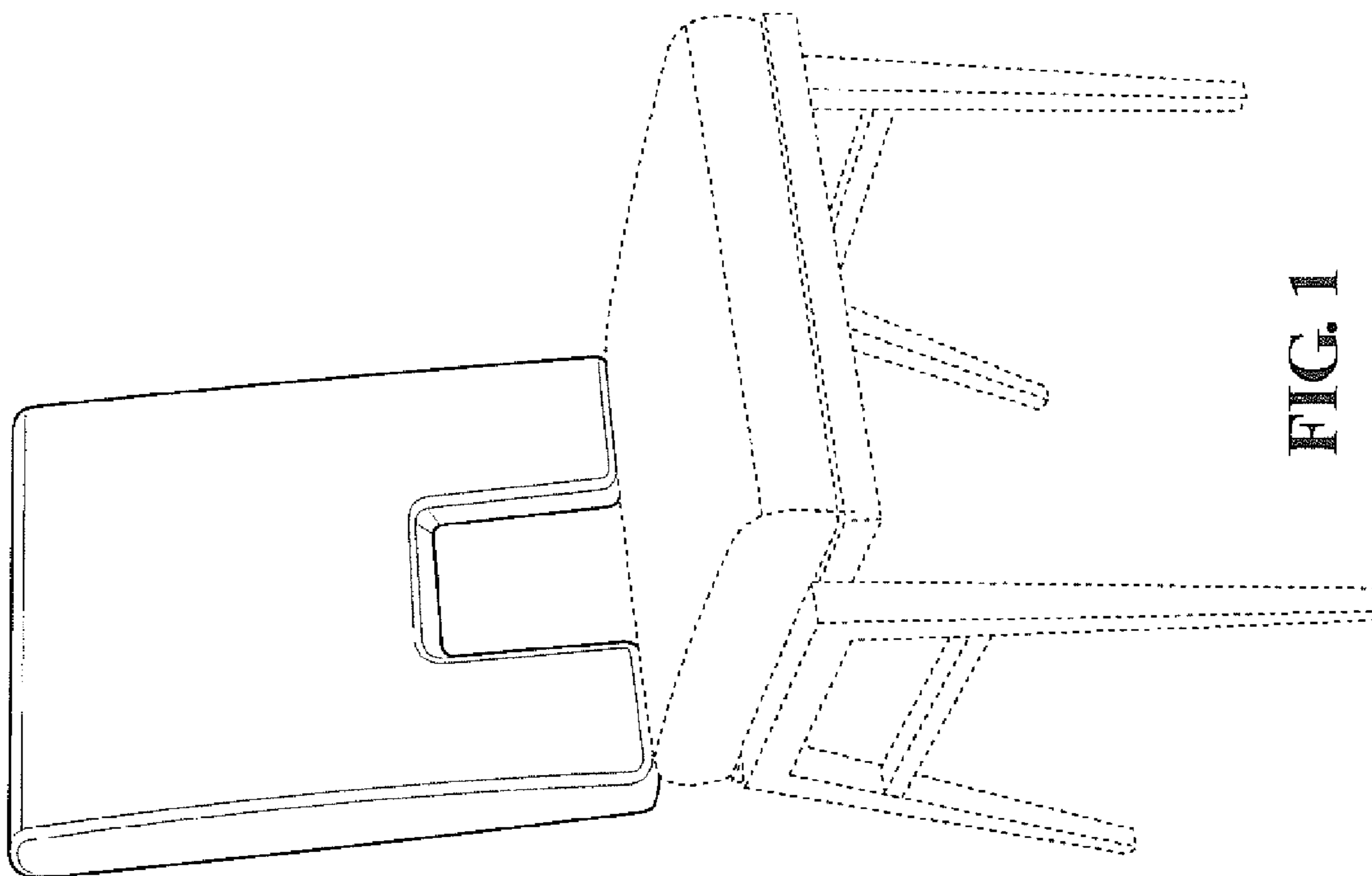


FIG. 1

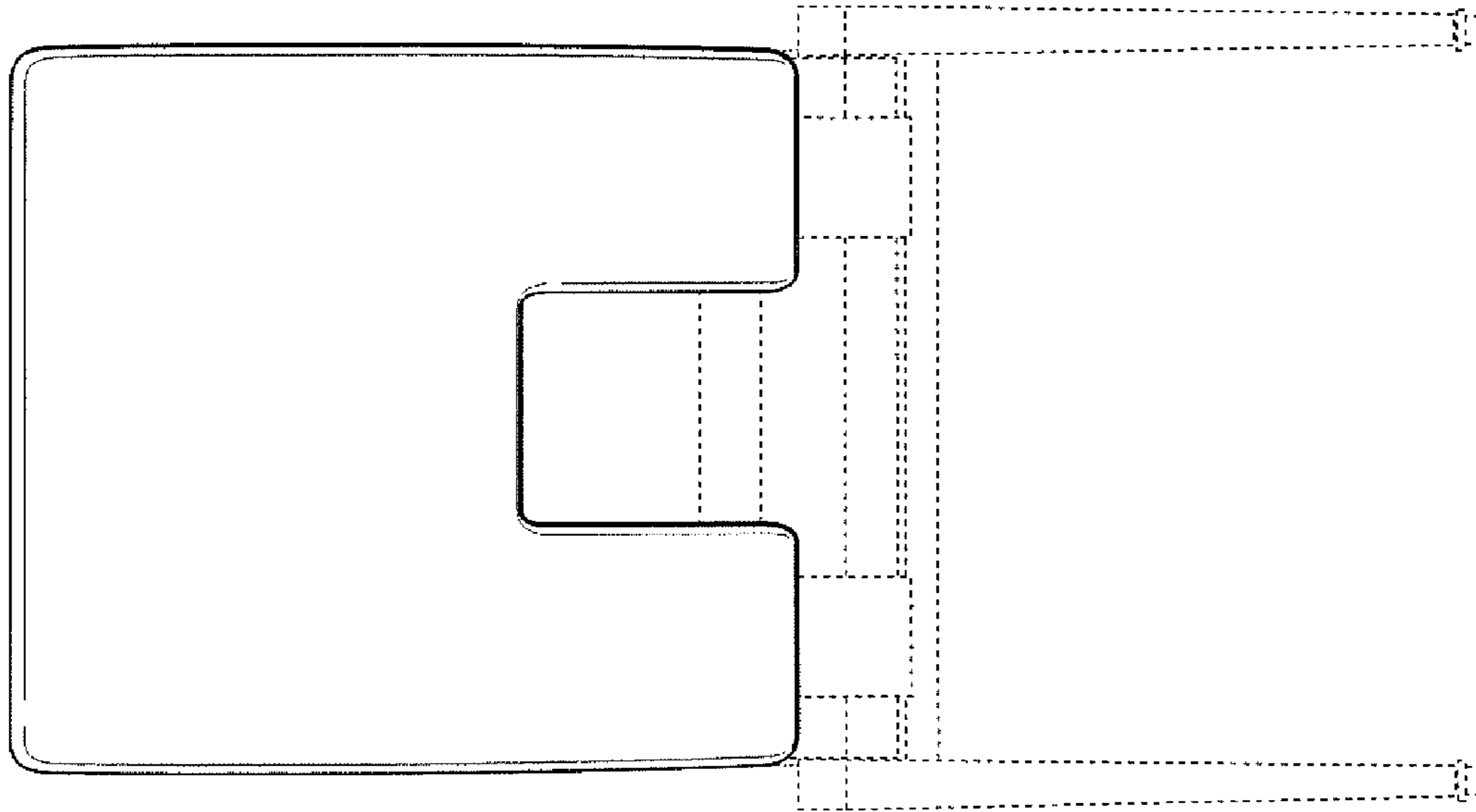


FIG. 4

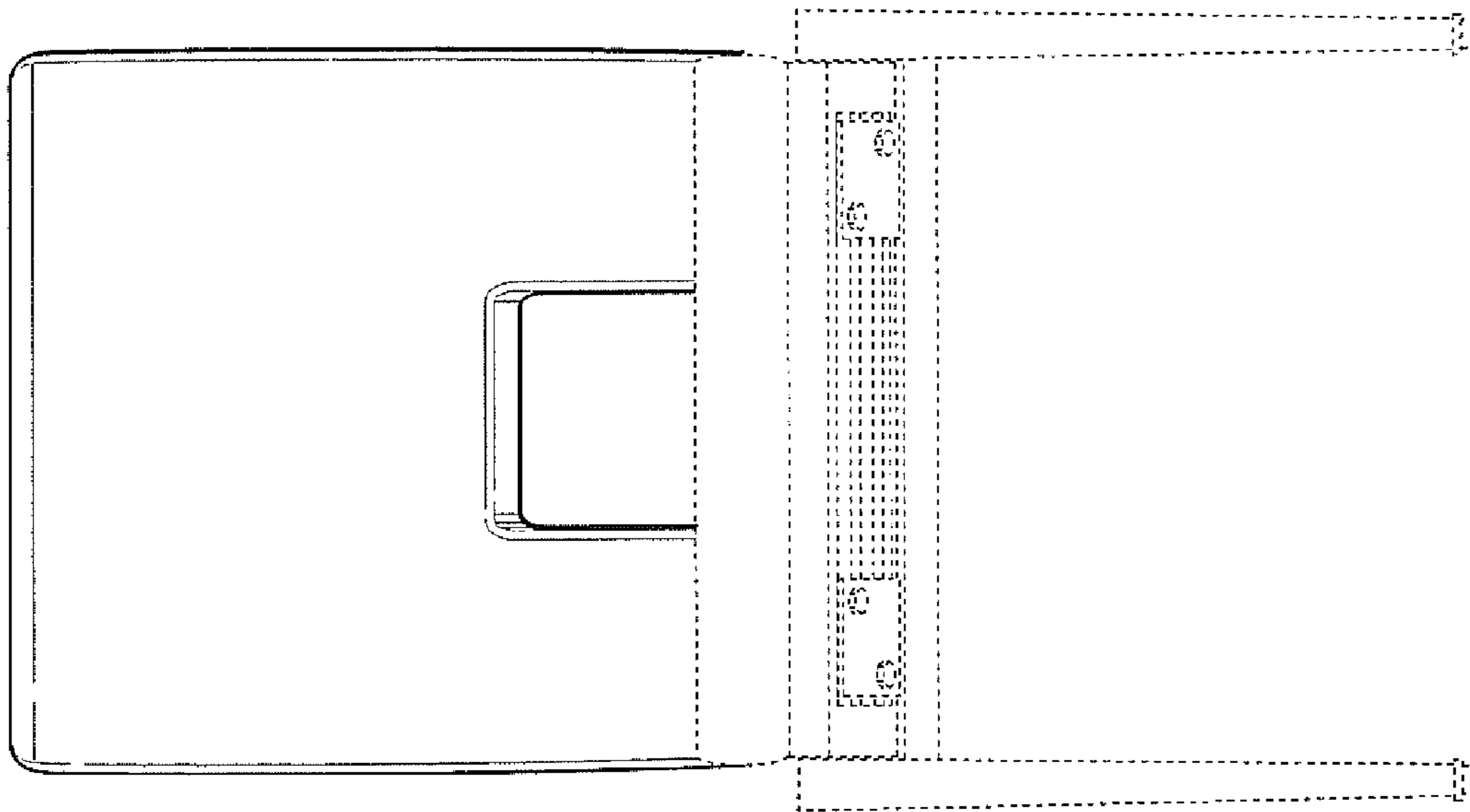


FIG. 3

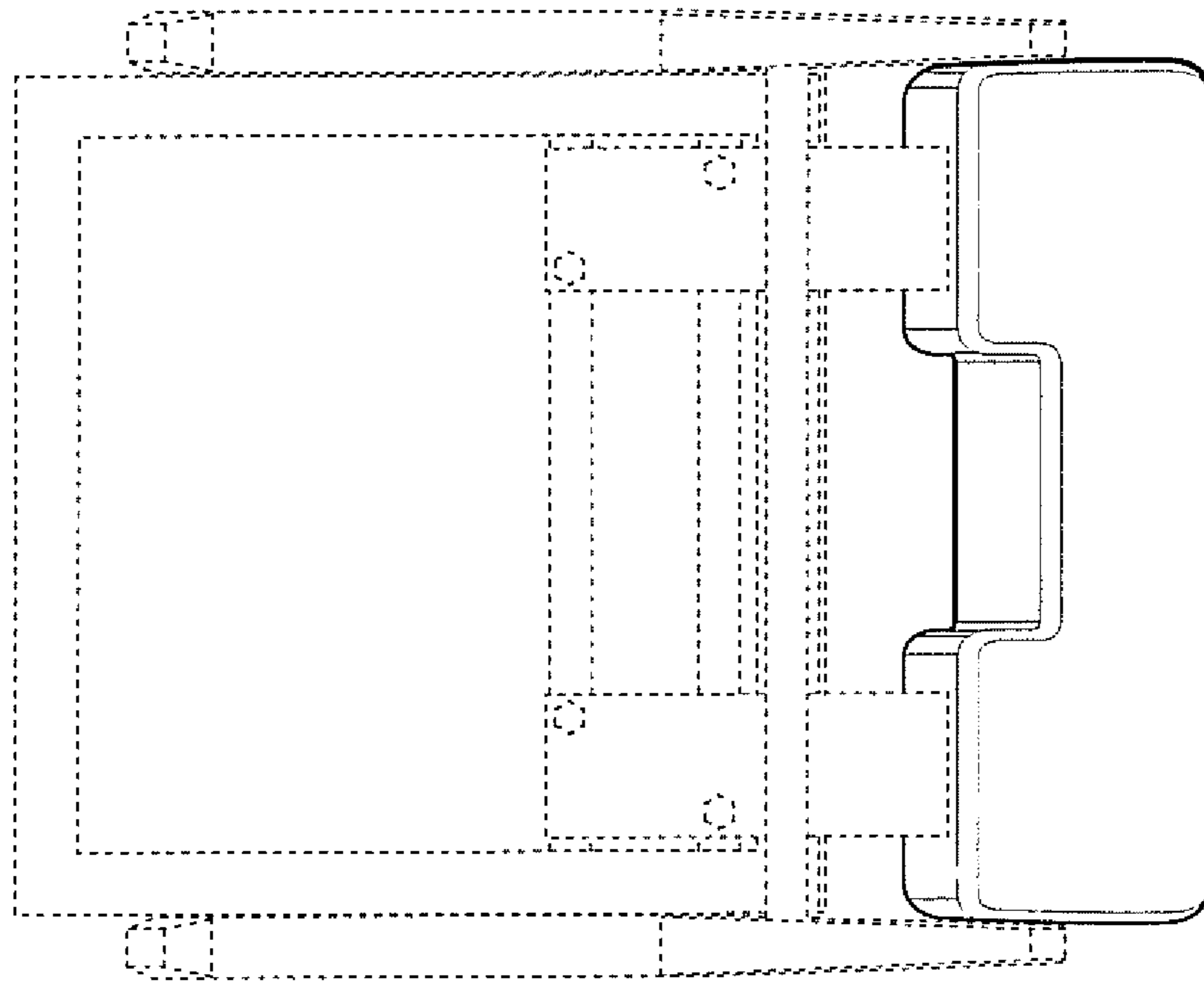


FIG. 6

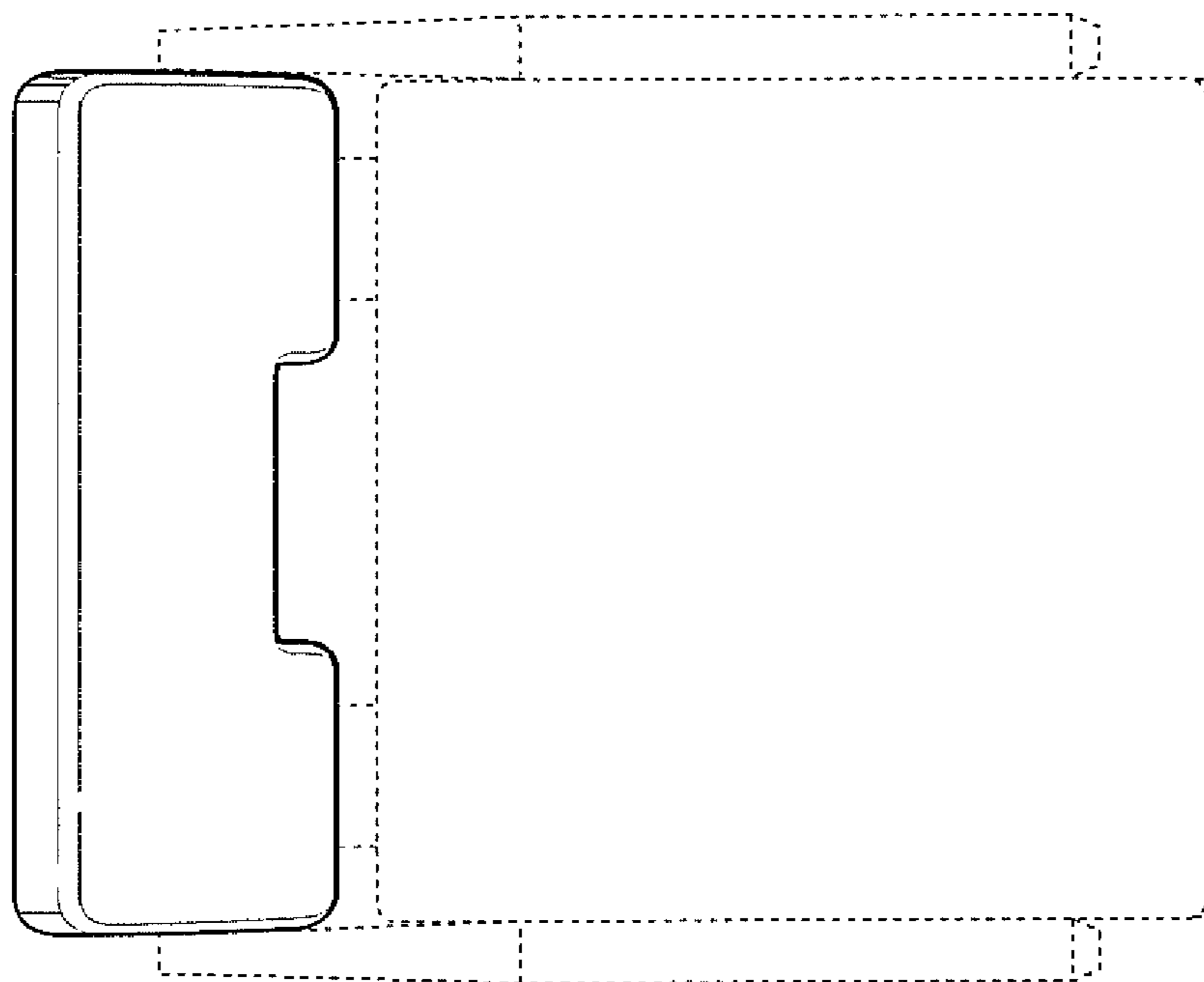


FIG. 5