



US00D646095S

(12) **United States Design Patent**
Langbord et al.

(10) **Patent No.:** **US D646,095 S**

(45) **Date of Patent:** **** Oct. 4, 2011**

(54) **CHAIR BACK**

(75) Inventors: **Kay L. Langbord**, Marina Del Rey, CA (US); **Terry J. McElmurry**, Sylvania, OH (US)

(73) Assignee: **Michigan Tube Swagers & Fabricators, Inc.**, Temperance, MI (US)

(**) Term: **14 Years**

(21) Appl. No.: **29/380,996**

(22) Filed: **Dec. 14, 2010**

(51) **LOC (9) Cl.** **06-01**

(52) **U.S. Cl.** **D6/502**

(58) **Field of Classification Search** D6/334-336, D6/341, 360-369, 371-381, 491-492, 498, D6/500-502, 601; D14/129, 374-377, 448-450; 297/232-233, 239, 284.4-284.5, 297, 300.1, 297/311, 353, 445.1, 446.1-446.2, 448.1-448.2, 297/452.11, DIG. 7, DIG. 8

See application file for complete search history.

(56) **References Cited**

U.S. PATENT DOCUMENTS

D153,101 S * 3/1949 Bellin D6/380
D172,218 S * 5/1954 Burst D6/374
D182,426 S * 4/1958 McCarthy et al. D6/380
D189,347 S * 11/1960 Chapman D6/375

D200,640 S * 3/1965 Yamasaki D6/375
3,485,527 A * 12/1969 Barghout 297/445.1
D219,016 S * 10/1970 Muller D6/375
D427,444 S * 7/2000 Risdall D6/375
D450,944 S * 11/2001 Shepard et al. D6/369
D455,572 S * 4/2002 Lewis D6/380
D457,345 S * 5/2002 Lewis
D505,034 S * 5/2005 Barry D6/502
D599,315 S * 9/2009 Chiu D14/129

* cited by examiner

Primary Examiner — Ricky Pham

(74) *Attorney, Agent, or Firm* — Gifford, Krass, Sprinkle, Anderson & Citkowski, P.C.

(57) **CLAIM**

The ornamental design for a chair back, as shown and described.

DESCRIPTION

FIG. 1 is a perspective view of a chair back of the present invention;

FIG. 2 is a side elevational view of the chair back of FIG. 1, the opposite side being a mirror image thereof;

FIG. 3 is a front elevational view of the chair back of FIGS. 1 and 2;

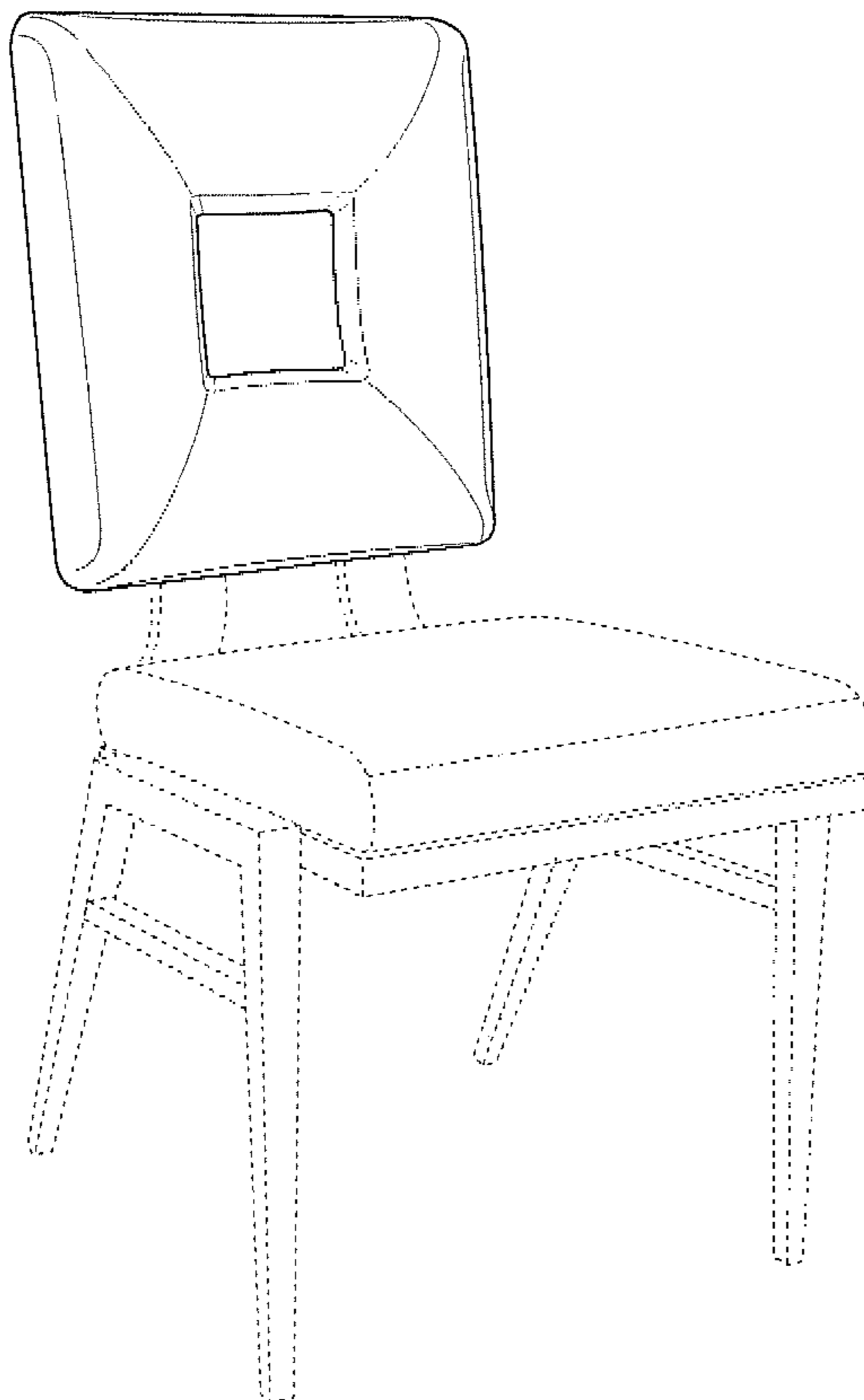
FIG. 4 is a rear elevational view of the chair back of FIGS. 1-3;

FIG. 5 is a top view of the chair back of FIGS. 1-4; and,

FIG. 6 is a bottom view of the chair back of FIGS. 1-6.

The broken lines shown in the Figures are for environmental purposes only and form no part of the claimed design.

1 Claim, 3 Drawing Sheets



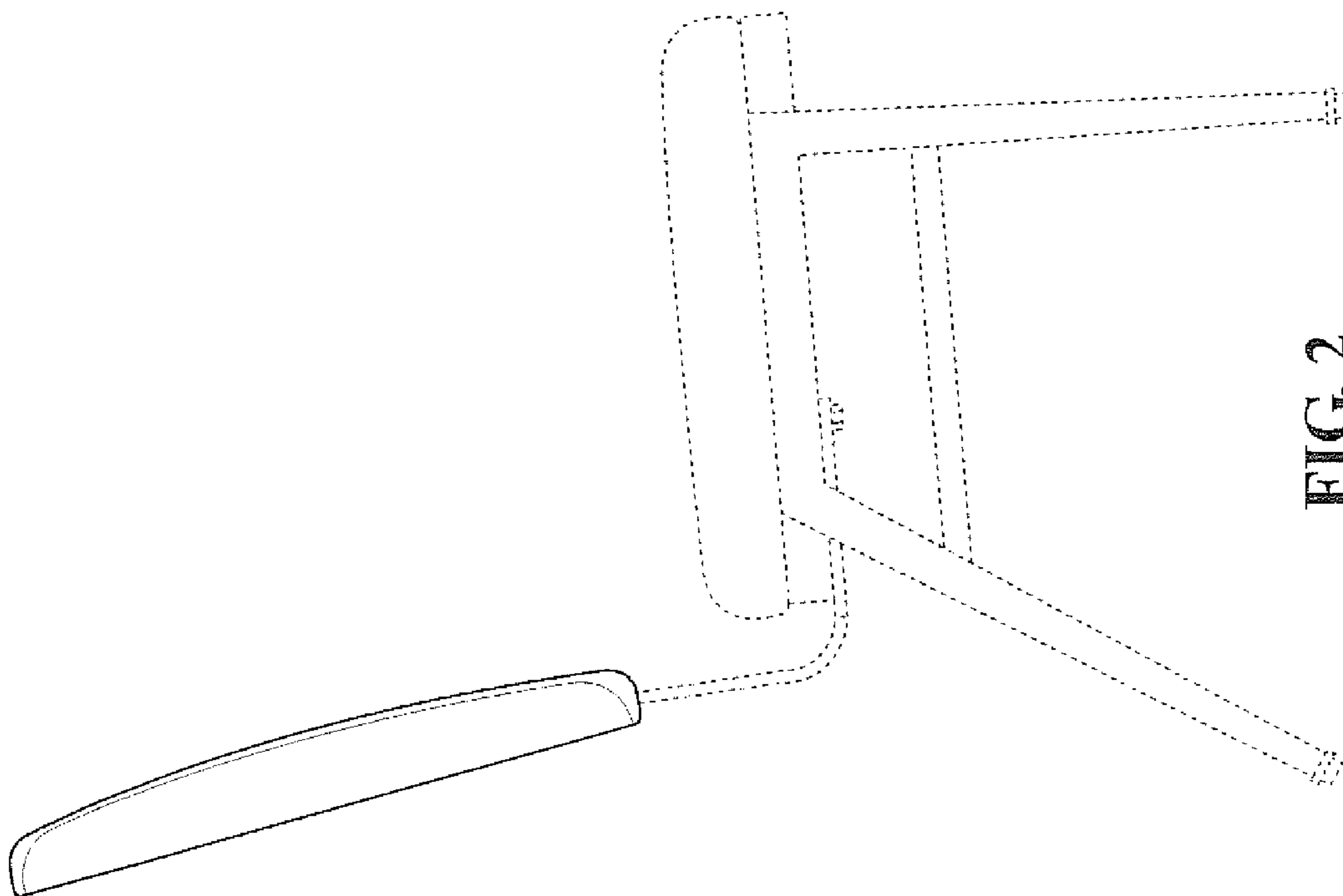


FIG. 2

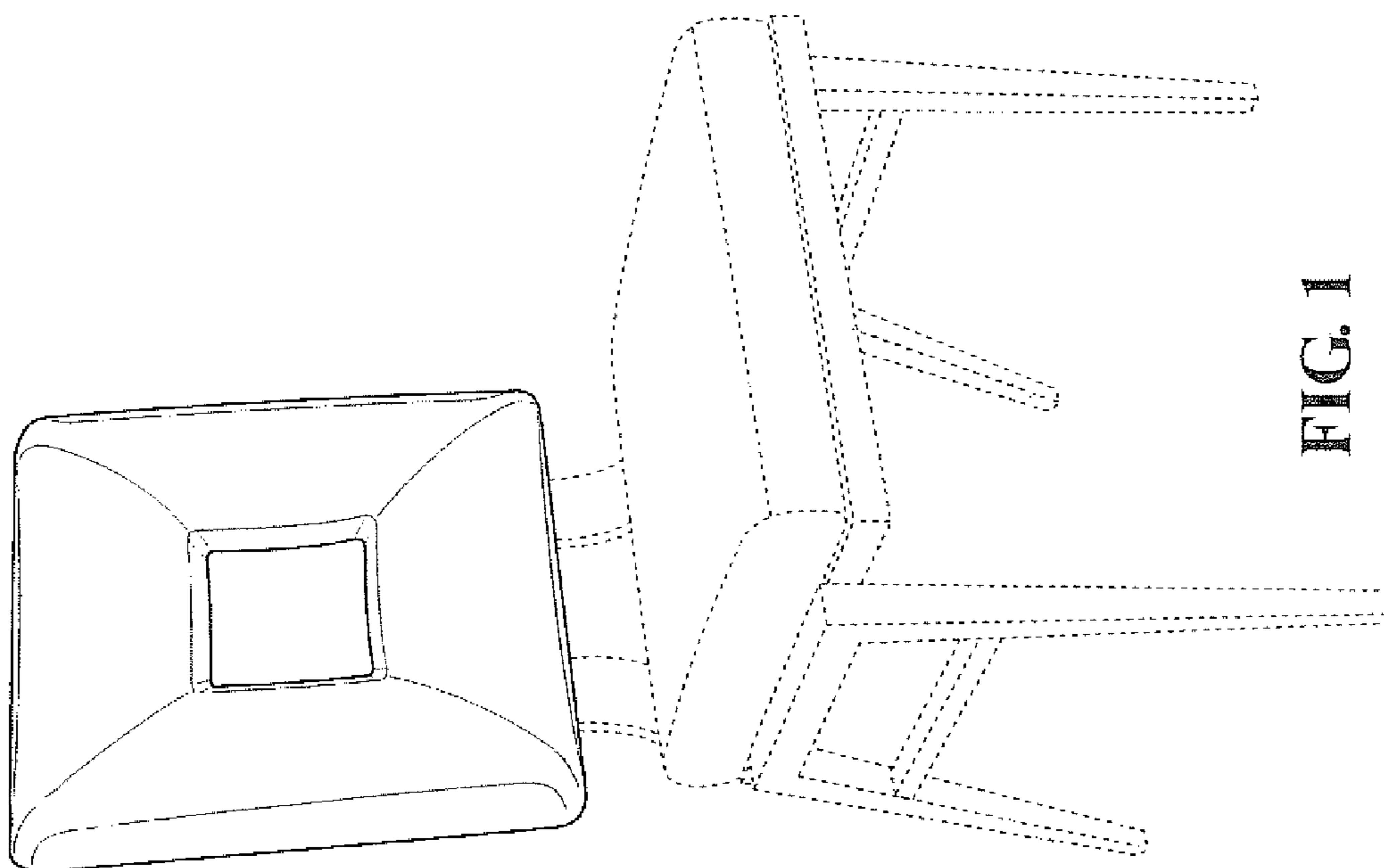


FIG. 1

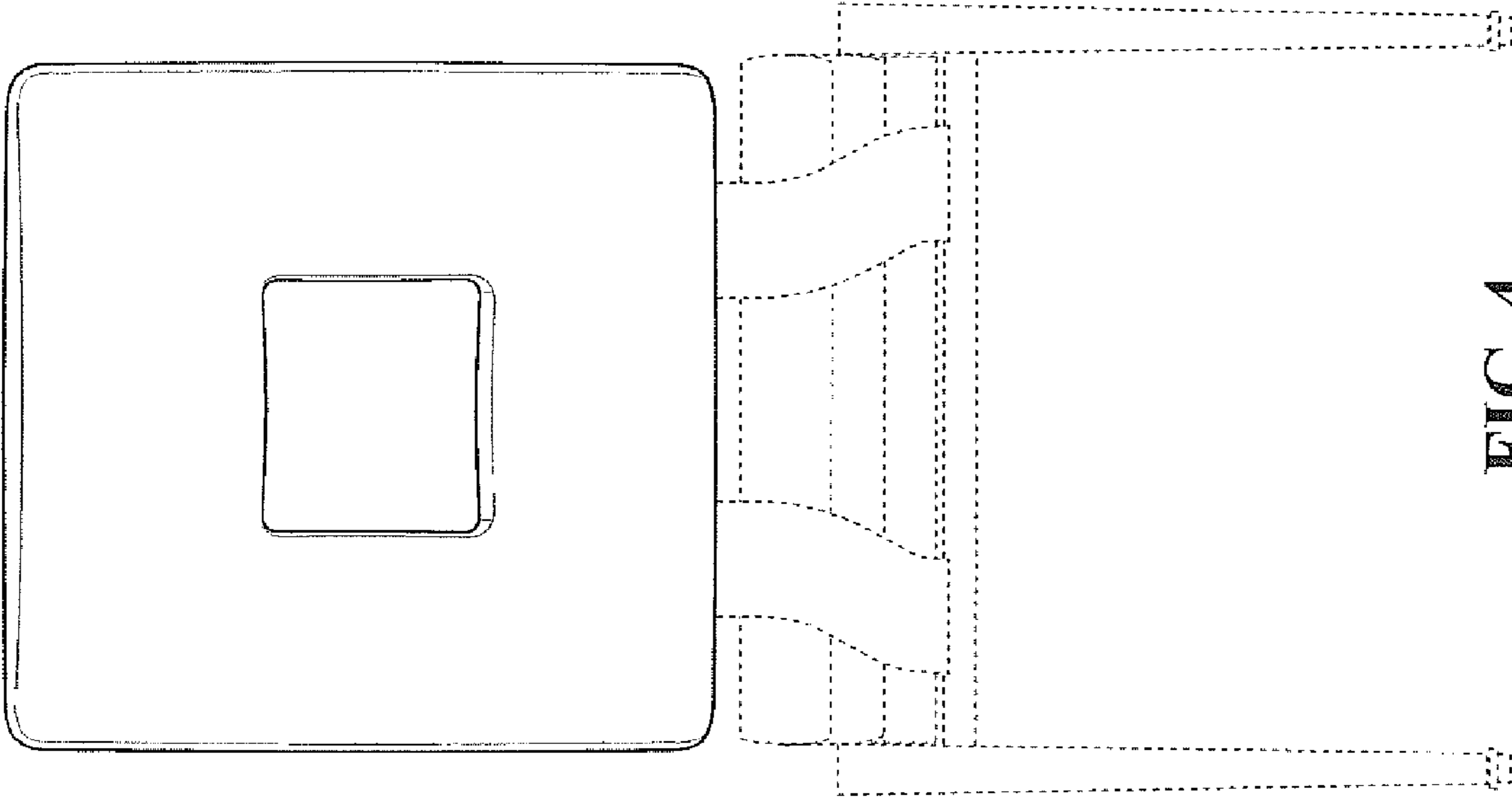


FIG. 4

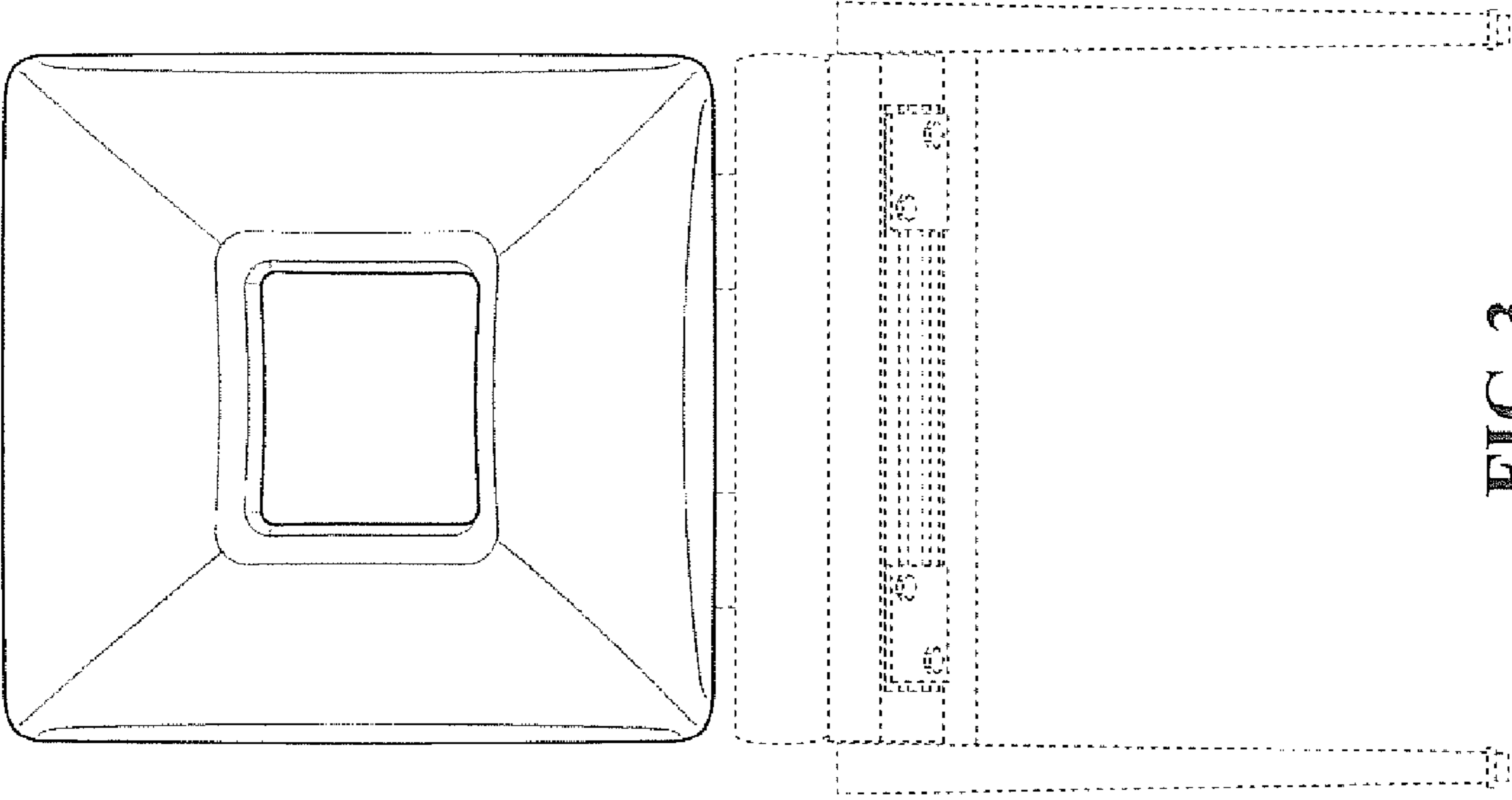


FIG. 3

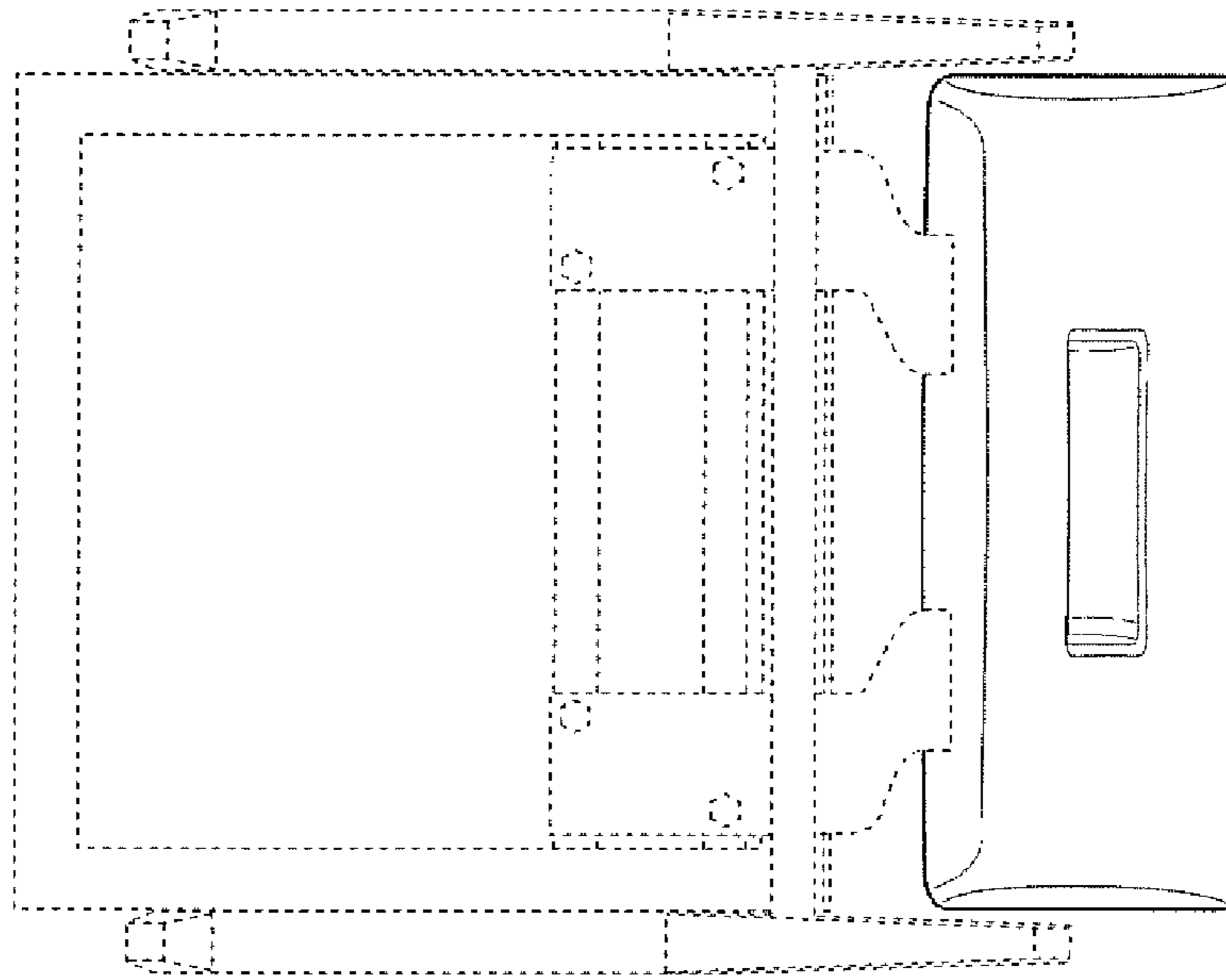


FIG. 5

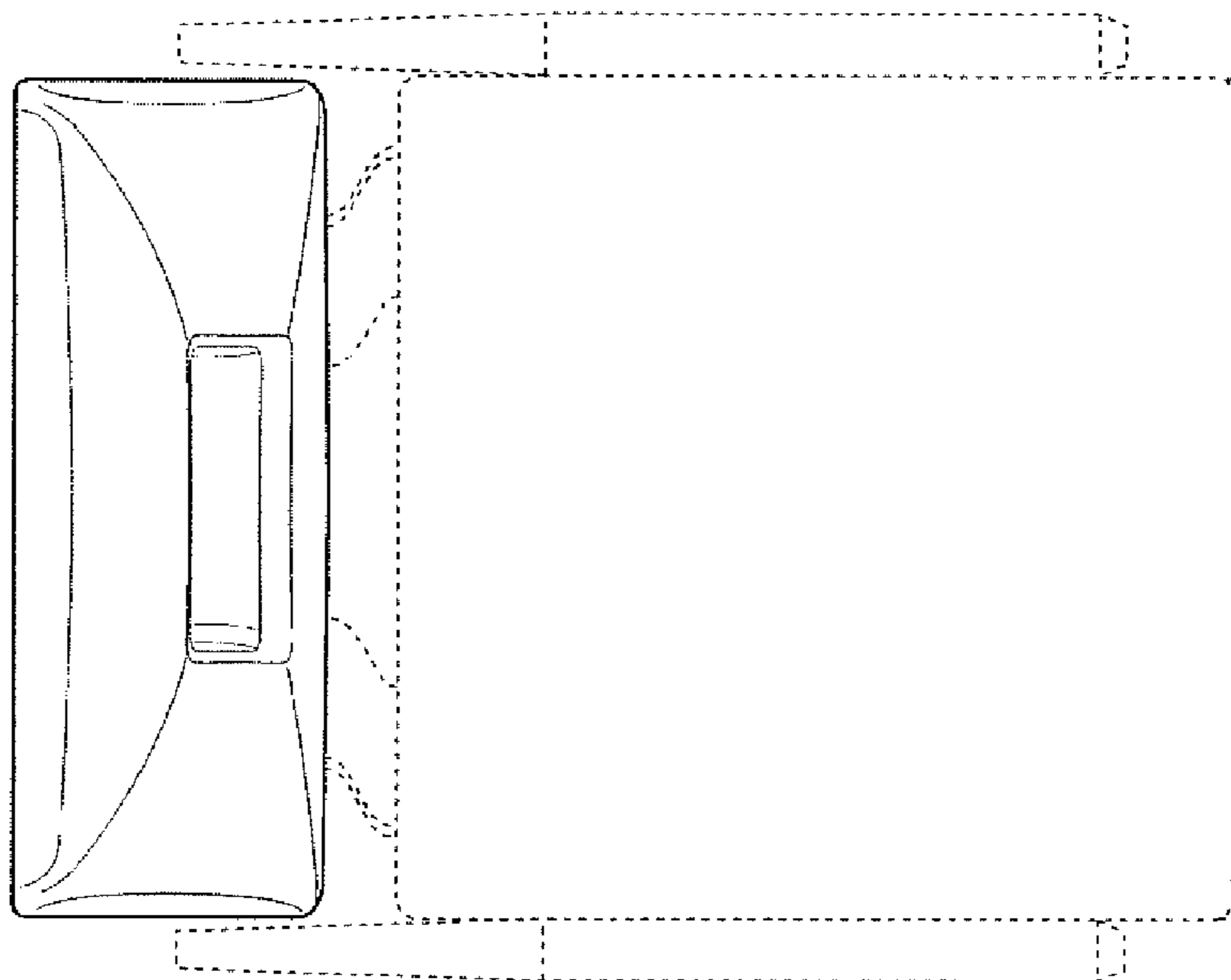


FIG. 6