



US00D646093S

(12) **United States Design Patent**
Collinson

(10) **Patent No.:** **US D646,093 S**

(45) **Date of Patent:** **** Oct. 4, 2011**

(54) **CHAIR BACK**

(75) Inventor: **Michael Collinson**, Caledon (CA)

(73) Assignee: **Bock PPL Inc.**, Cambridge (CA)

(**) Term: **14 Years**

(21) Appl. No.: **29/368,763**

(22) Filed: **Aug. 30, 2010**

(51) **LOC (9) Cl.** **06-01**

(52) **U.S. Cl.** **D6/502**

(58) **Field of Classification Search** D6/334-336,
D6/364, 365, 366, 367, 369, 374, 476, 379,
D6/380, 500-502; 297/300.2, 452.18, 452.21,
297/452.29, 452.3, 452.32, 452.35

See application file for complete search history.

(56) **References Cited**

U.S. PATENT DOCUMENTS

D407,911 S	*	4/1999	Brauning	D6/366
D418,316 S	*	1/2000	Vogtherr	D6/366
D446,397 S	*	8/2001	Pennington et al.	D6/366
D477,469 S	*	7/2003	Brooks	D6/366
D482,218 S	*	11/2003	Lin	D6/500

D546,573 S	*	7/2007	Klaasen et al.	D6/366
D554,880 S	*	11/2007	Breen	D6/366
D597,771 S	*	8/2009	Weber et al.	D6/502
D613,084 S	*	4/2010	Wilkinson et al.	D6/366

* cited by examiner

Primary Examiner — Mimoso De

(74) *Attorney, Agent, or Firm* — Christopher D. Heer;
Bennett Jones LLP

(57) **CLAIM**

The ornamental design for a chair back, as shown and described.

DESCRIPTION

FIG. 1 is a back perspective view of a chair embodying the design;

FIG. 2 is a left side view of the chair of FIG. 1, with the right side being a mirror image;

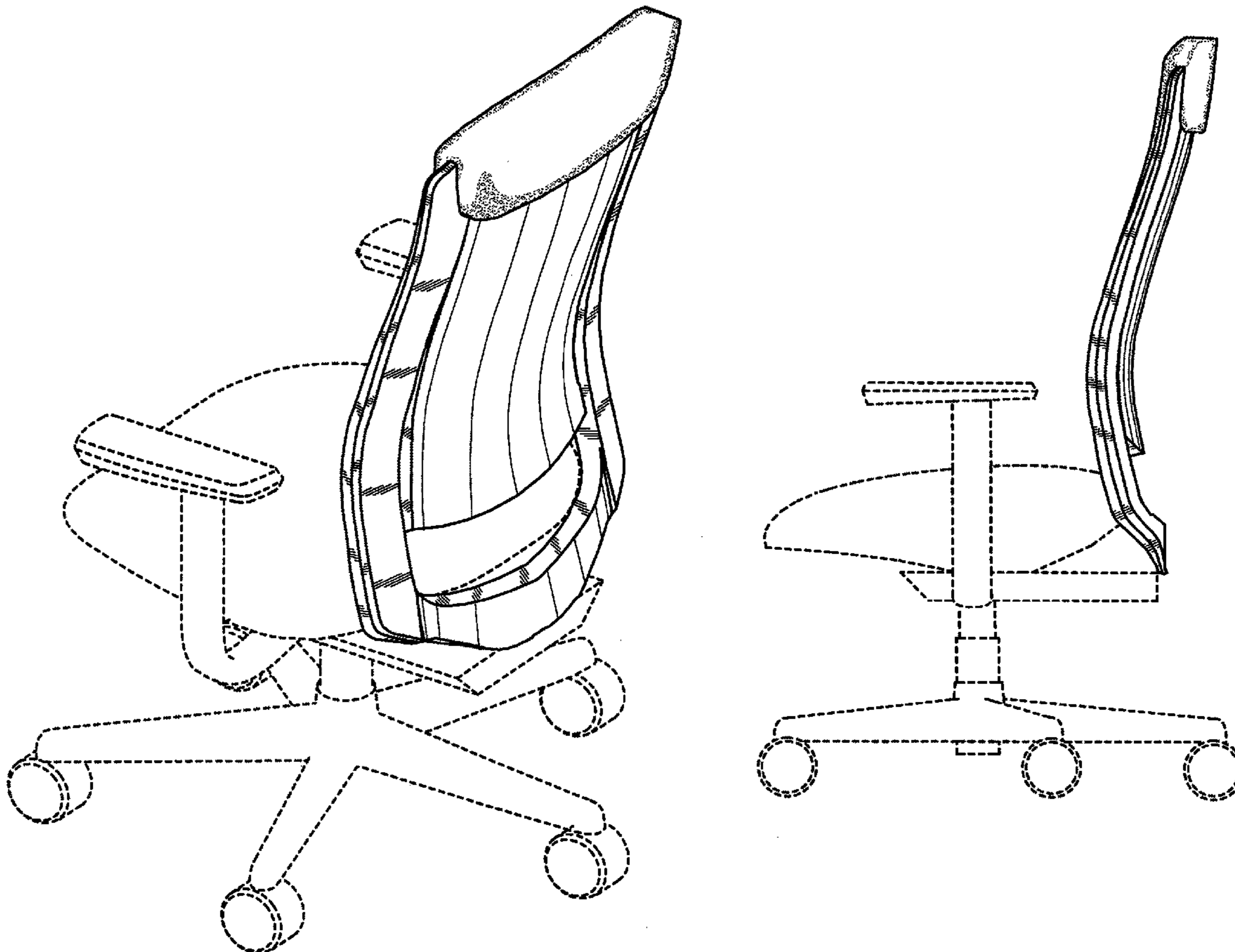
FIG. 3 is a front view of the chair of FIG. 1;

FIG. 4 is a back view of the chair of FIG. 1; and,

FIG. 5 is a top view of the chair of FIG. 1.

The non-design portions of the article are shown with broken lines.

1 Claim, 3 Drawing Sheets



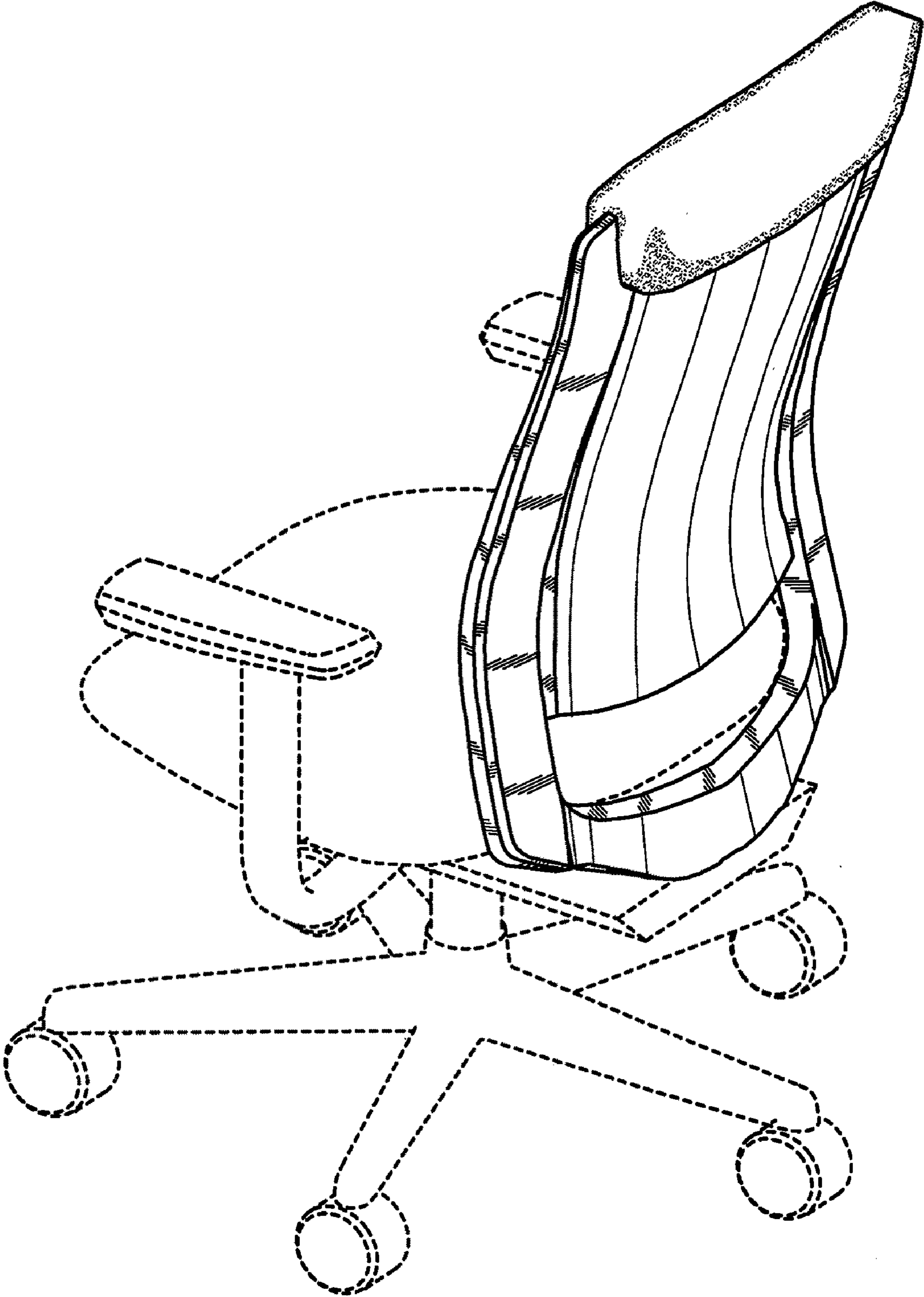


FIG. 1

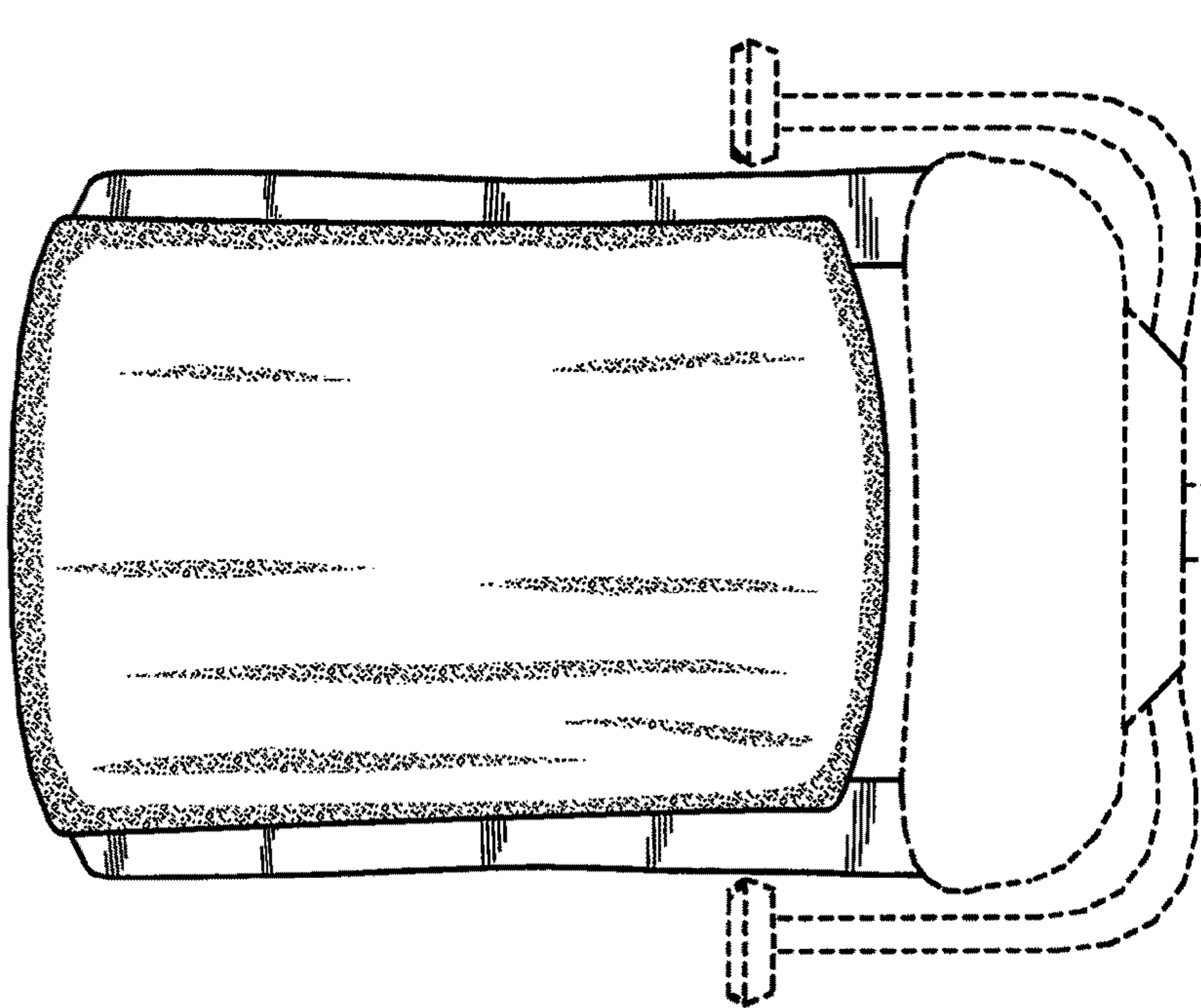


FIG. 2

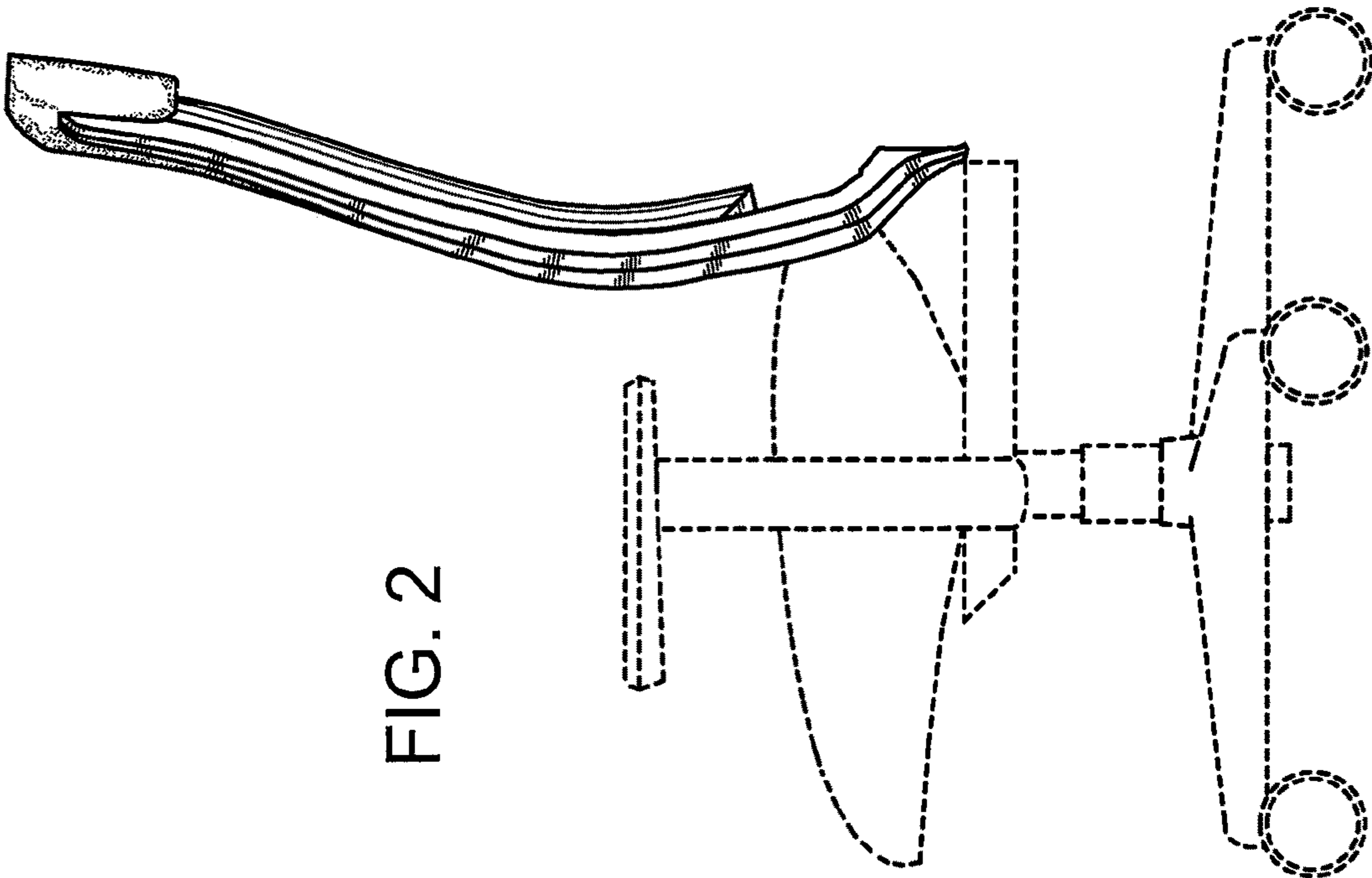


FIG. 3

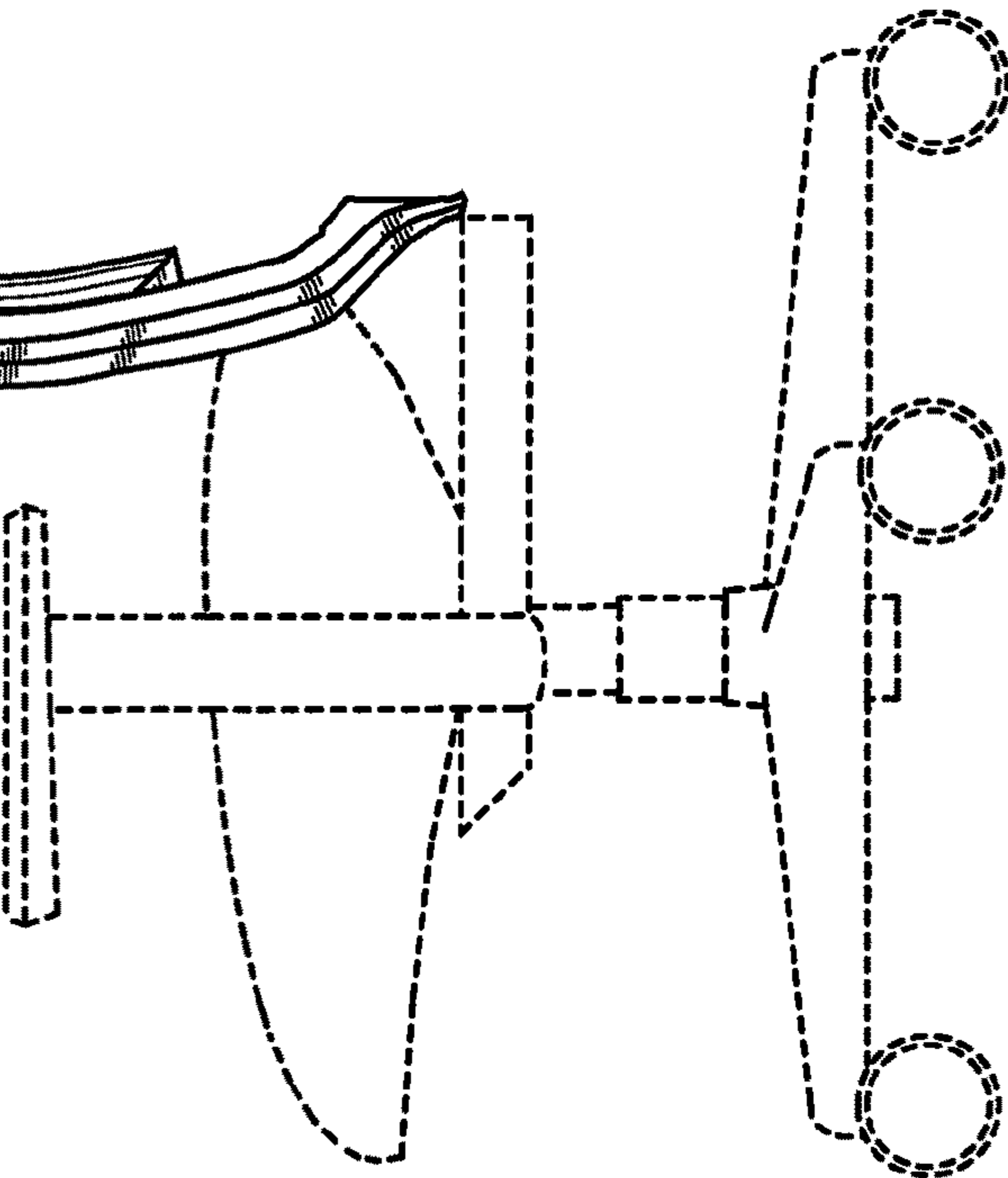
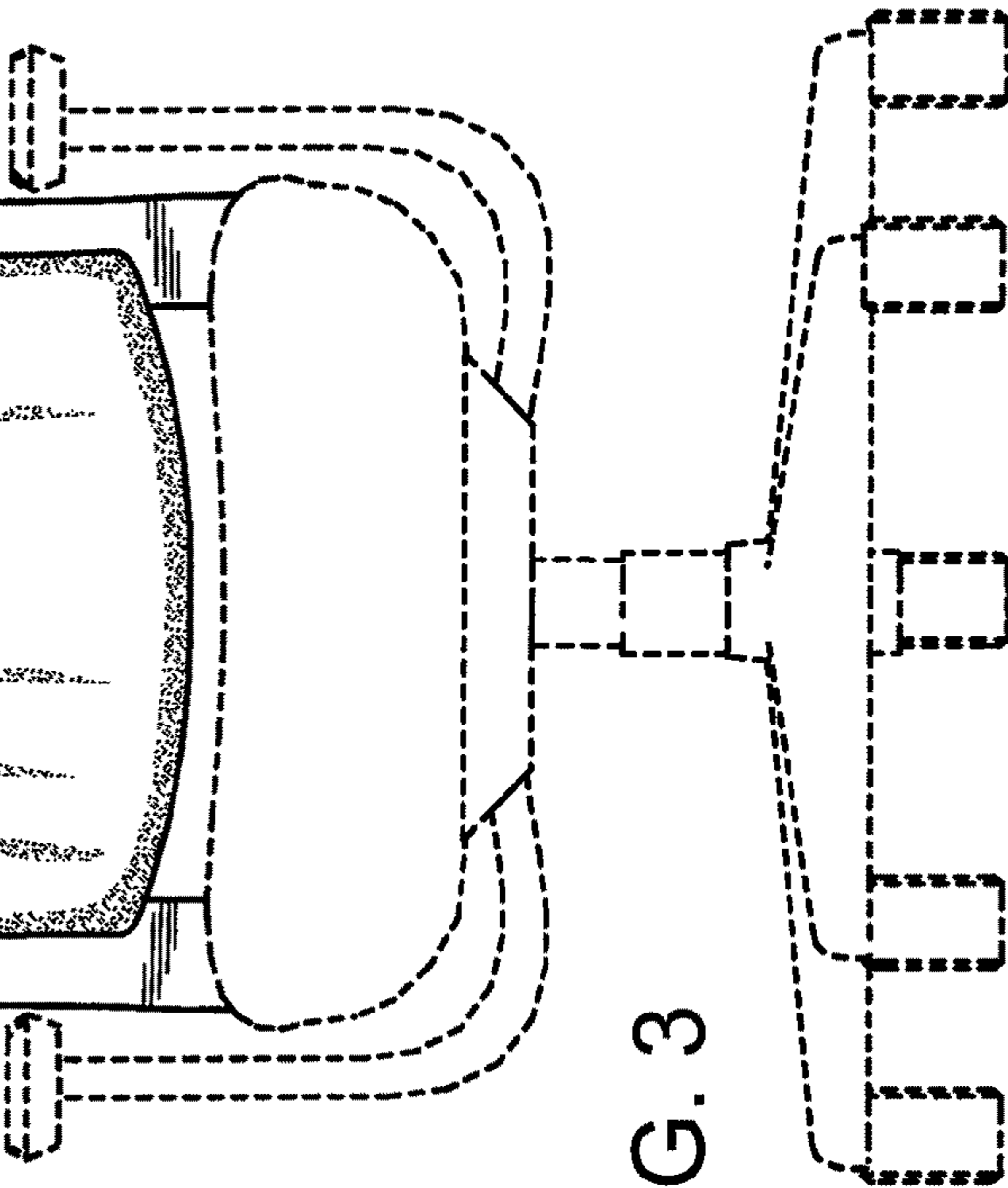


FIG. 4

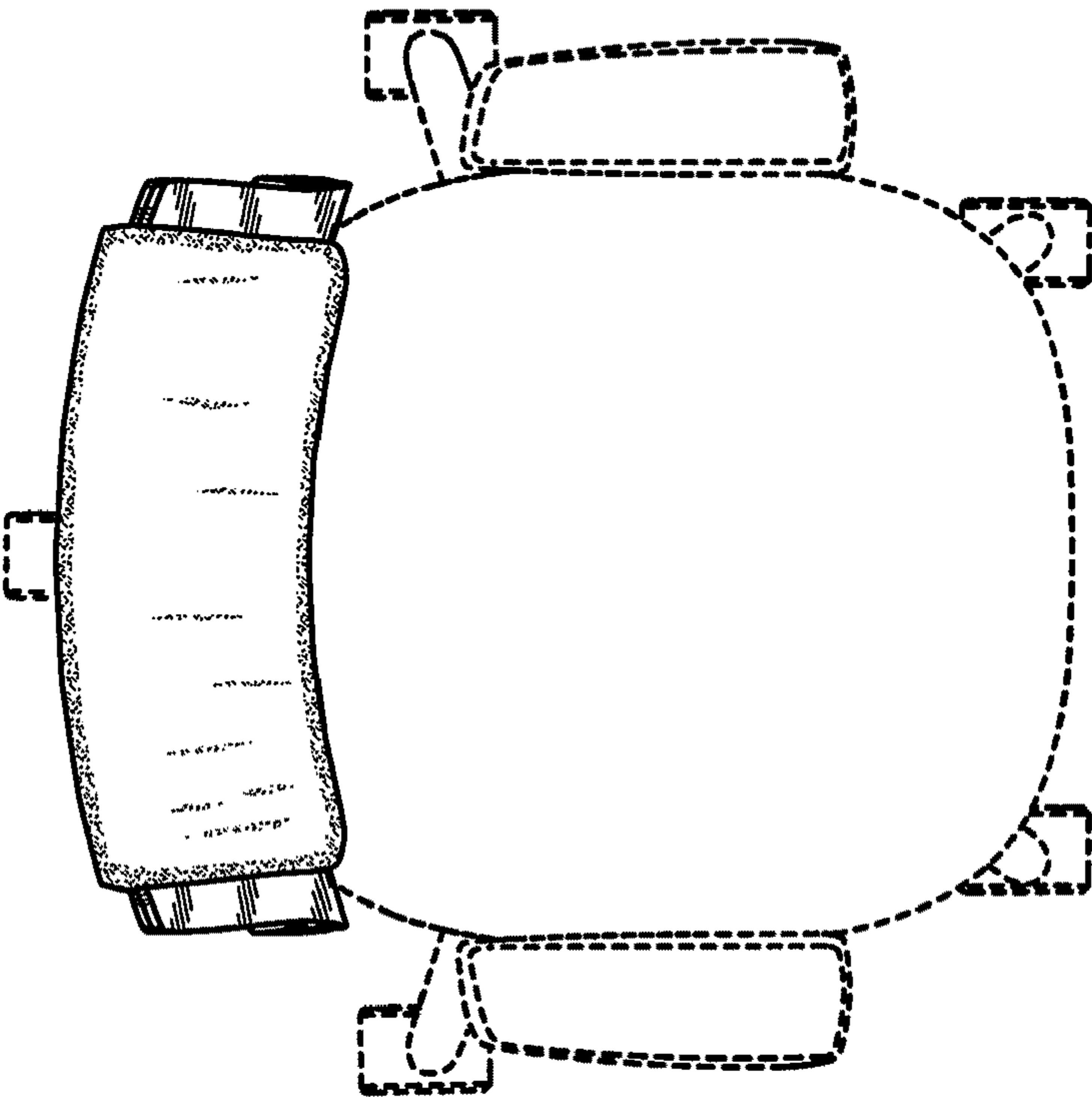
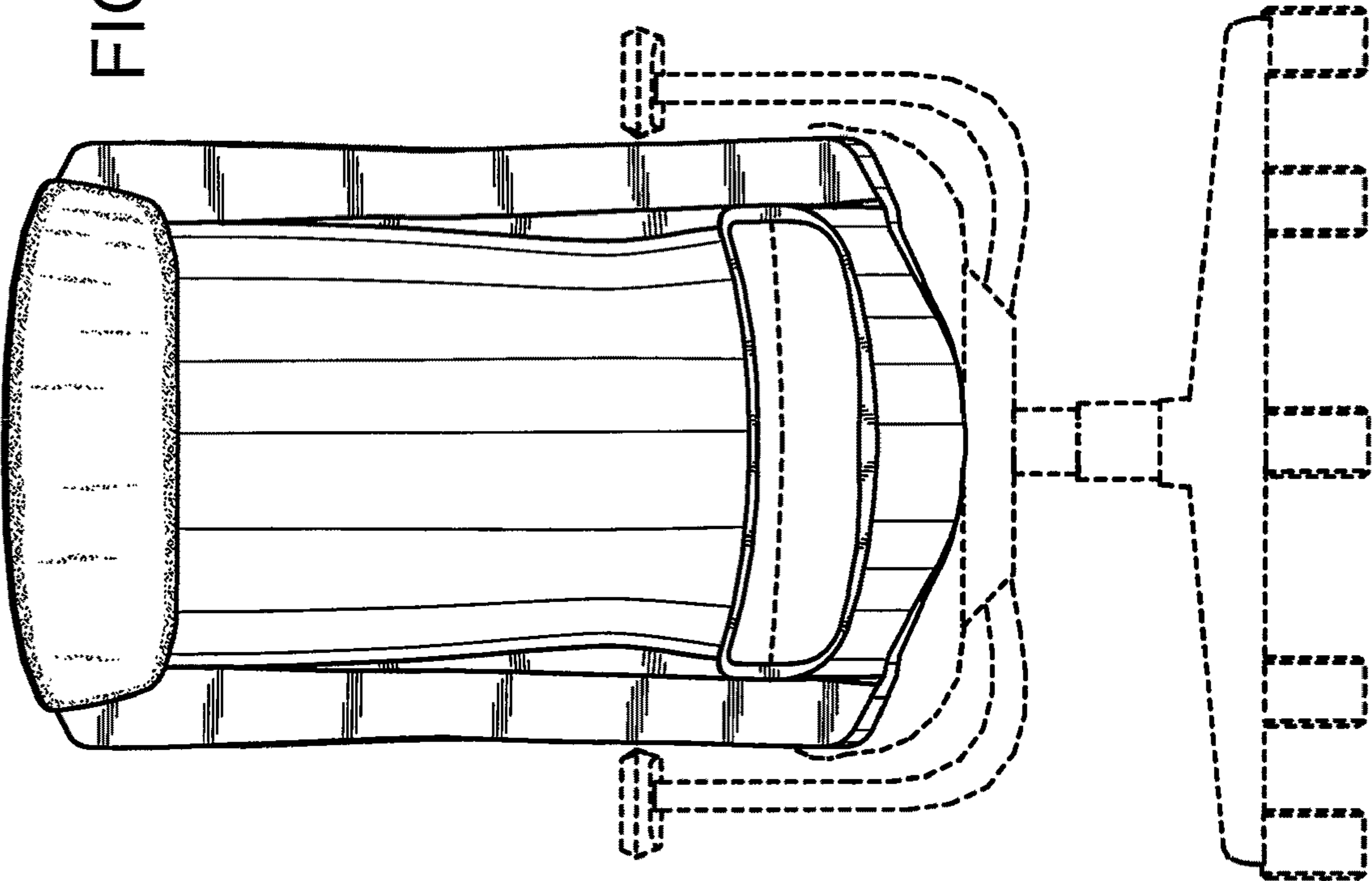


FIG. 5