



US00D646091S

(12) **United States Design Patent**
Welsh

(10) **Patent No.:** **US D646,091 S**

(45) **Date of Patent:** **** Oct. 4, 2011**

(54) **CHAIR**

(75) Inventor: **Gregory Brent Welsh**, Beverley Hills (AU)

(73) Assignee: **Sebel Furniture Ltd.**, Padstow (AU)

(**) Term: **14 Years**

(21) Appl. No.: **29/354,646**

(22) Filed: **Jan. 27, 2010**

(30) **Foreign Application Priority Data**

Jul. 31, 2009 (AU) 12832/2009

(51) **LOC (9) Cl.** **06-01**

(52) **U.S. Cl.** **D6/502**

(58) **Field of Classification Search** D6/334-336,
D6/338, 360, 365-366, 371-373, 341, 374-376,
D6/379-380, 500-502; 297/296, 445.1,
297/446.1, 447.1, 447.2, 451.1, 452.2
See application file for complete search history.

(56) **References Cited**

U.S. PATENT DOCUMENTS

1,960,022	A *	5/1934	Melder	297/295
D156,376	S	12/1949	Schladermundt et al.		
D193,340	S	8/1962	Sundberg		
D347,334	S	5/1994	Fewchuk		
D367,185	S *	2/1996	Olson	D6/373
D454,709	S *	3/2002	Waites	D6/376
D515,331	S	2/2006	Firetti		
D543,370	S *	5/2007	Han	D6/373

D564,264	S	3/2008	Smith et al.		
D577,927	S *	10/2008	Balsley	D6/381
D593,346	S *	6/2009	Thompson	D6/502
D600,052	S *	9/2009	Smith et al.	D6/502
D600,953	S *	9/2009	Kumazawa	D6/502

* cited by examiner

Primary Examiner — Elizabeth Albert

Assistant Examiner — Kelley Donnelly

(74) *Attorney, Agent, or Firm* — Design IP

(57) **CLAIM**

The ornamental design for a chair, as shown and described.

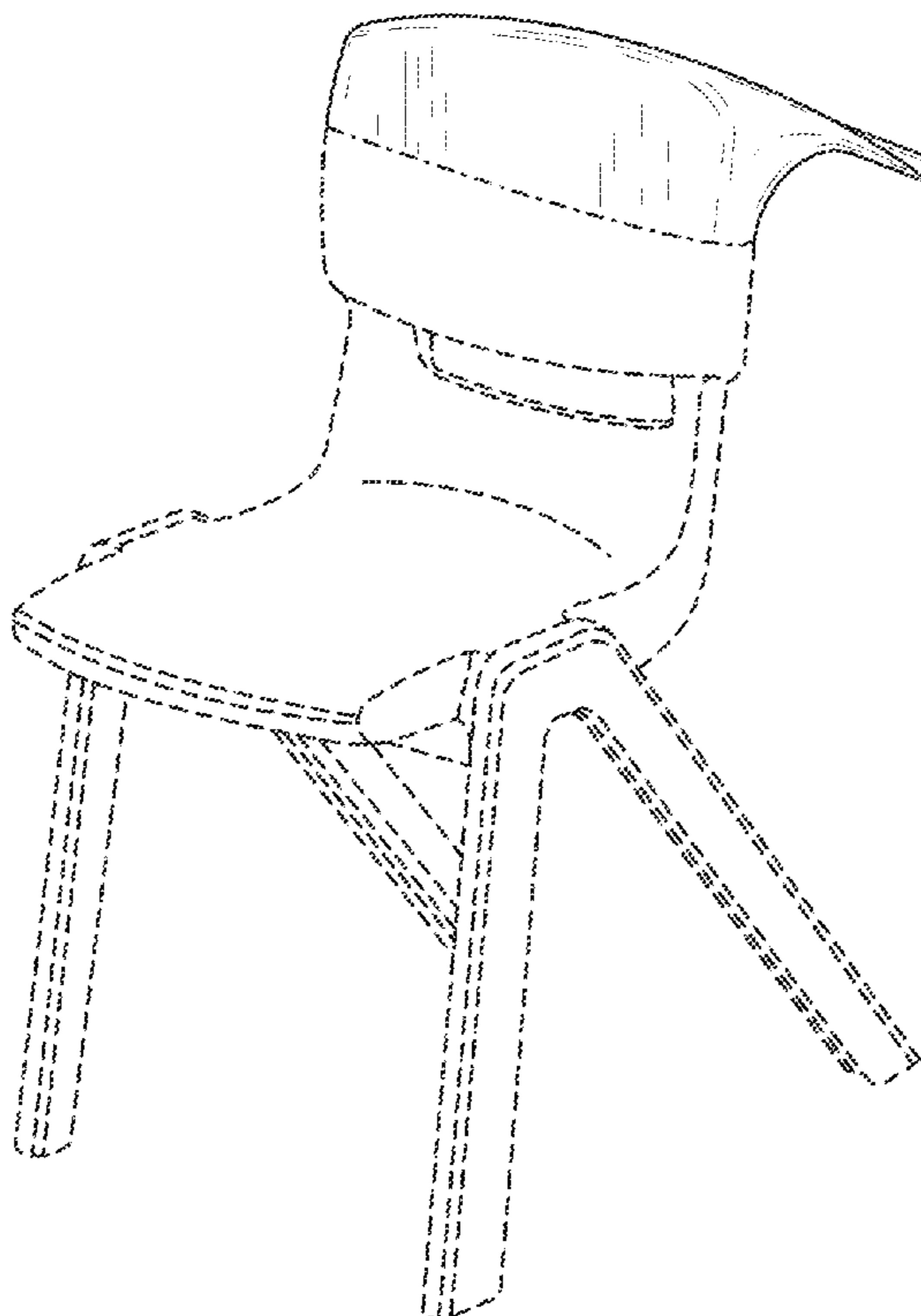
DESCRIPTION

FIG. 1 is a front perspective view of an ornamental design for a chair showing my new design;
FIG. 2 is a rear perspective view thereof;
FIG. 3 is a front elevation view thereof;
FIG. 4 is a rear elevation view thereof;
FIG. 5 is a left side elevation view thereof, the right hand side elevation being a mirror image thereof; and,
FIG. 6 is a top plan view thereof.

The broken lines in FIGS. 1-6 are for the purpose of illustrating the environment of the design only and form no part of the claimed design.

The long and short broken lines which define the bounds between the claimed top and the unclaimed bottom part of the "chair" form no part of the claimed design.

1 Claim, 3 Drawing Sheets



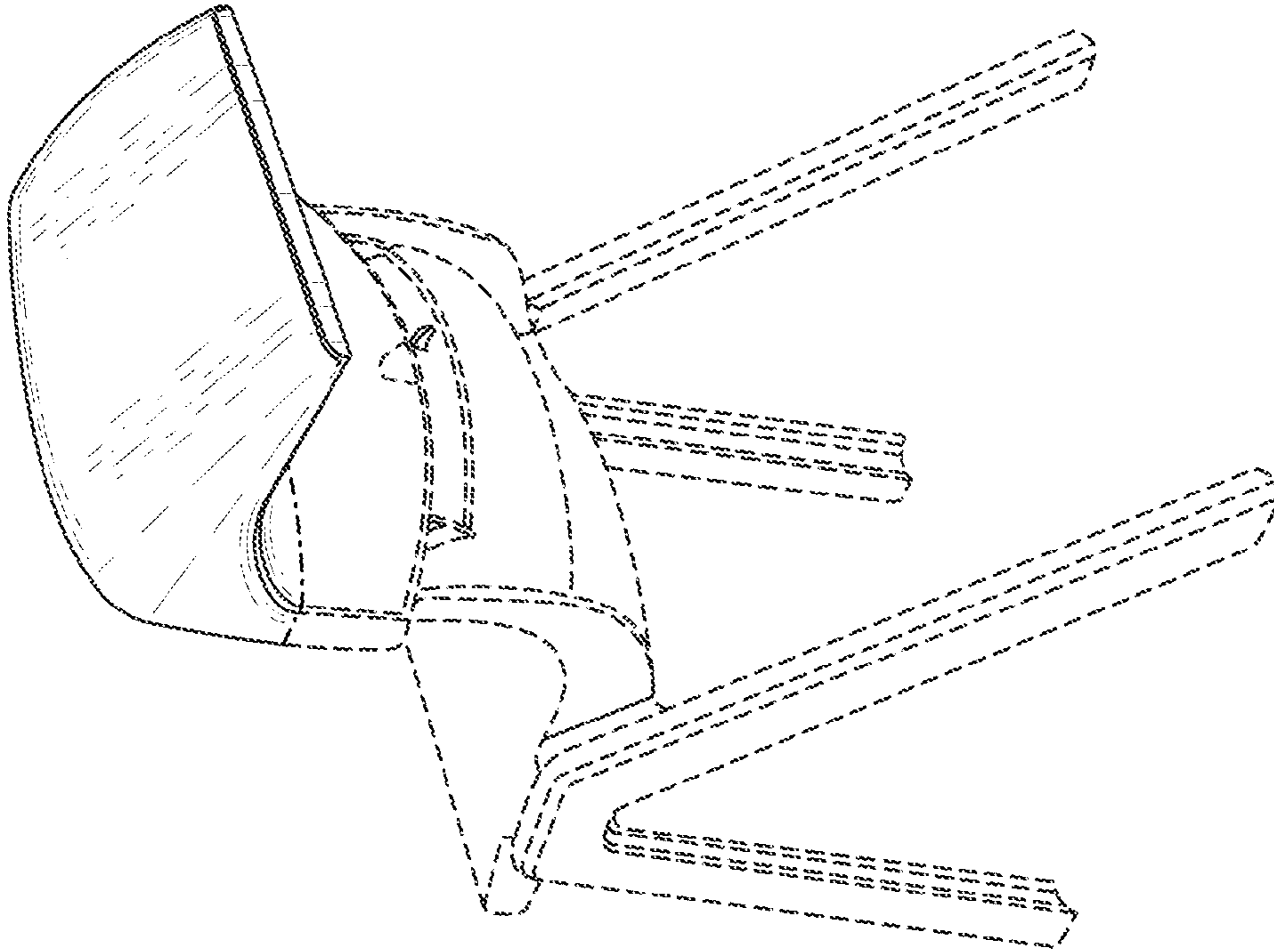


FIG. 2

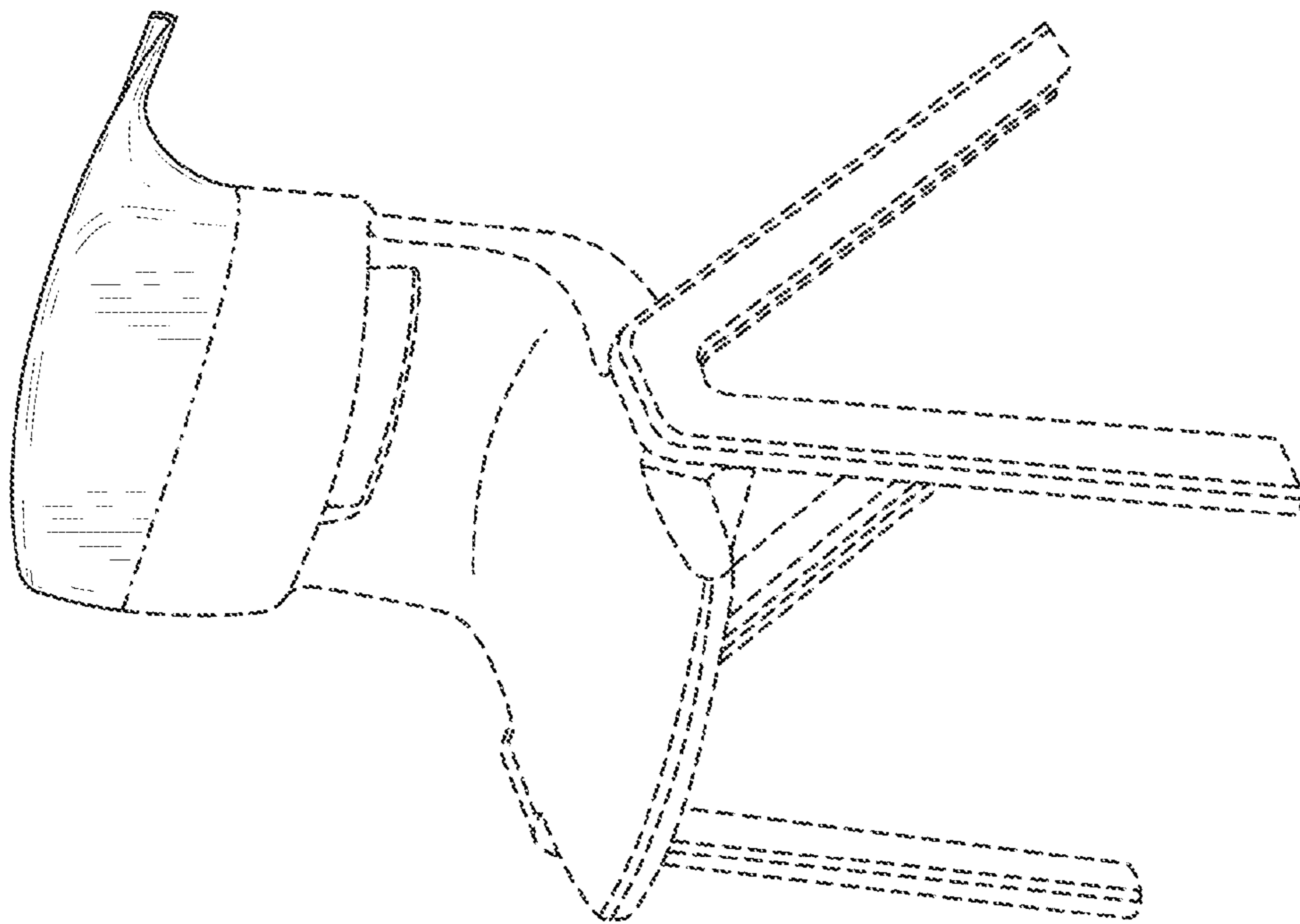


FIG. 1

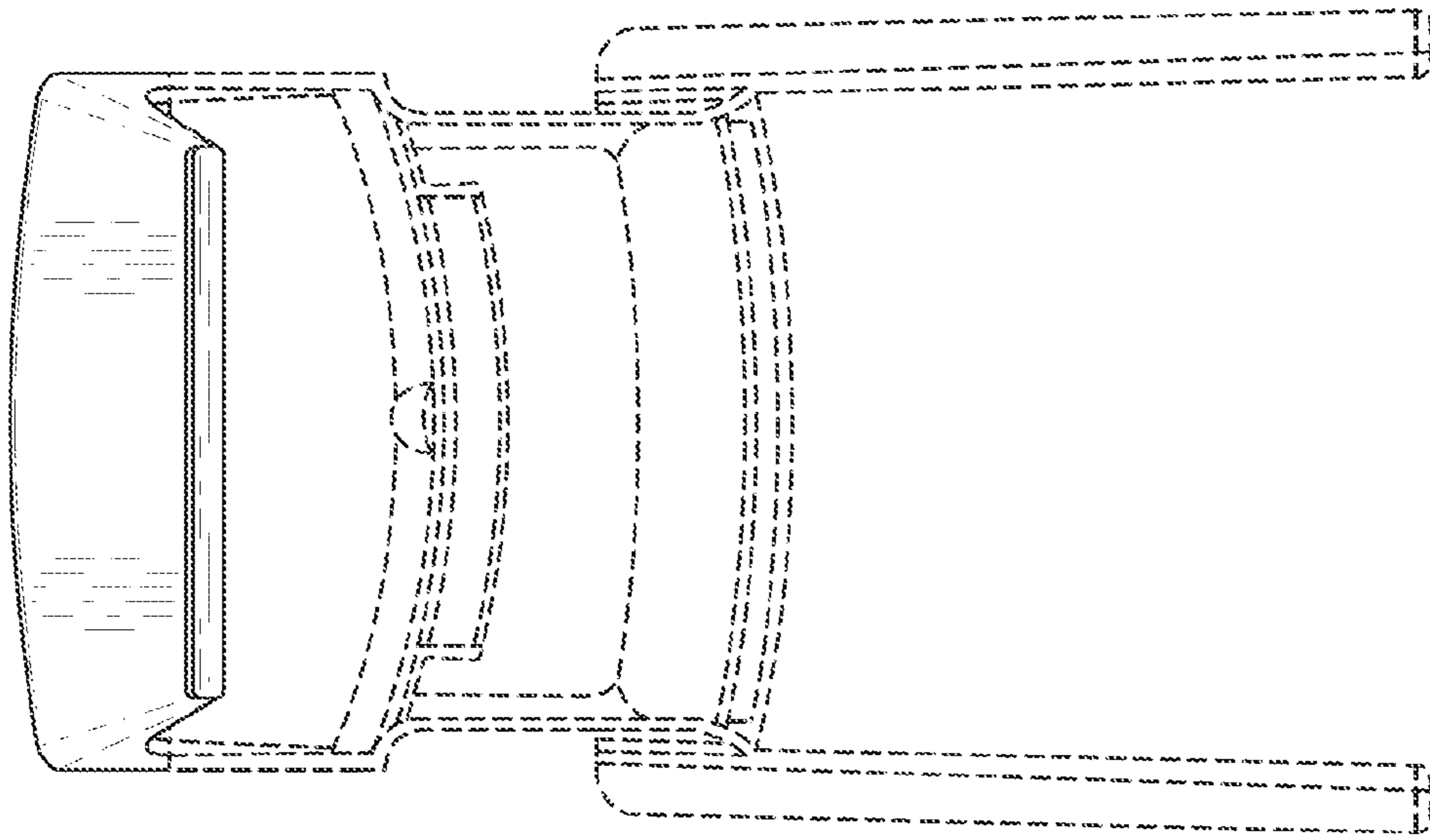


FIG. 4

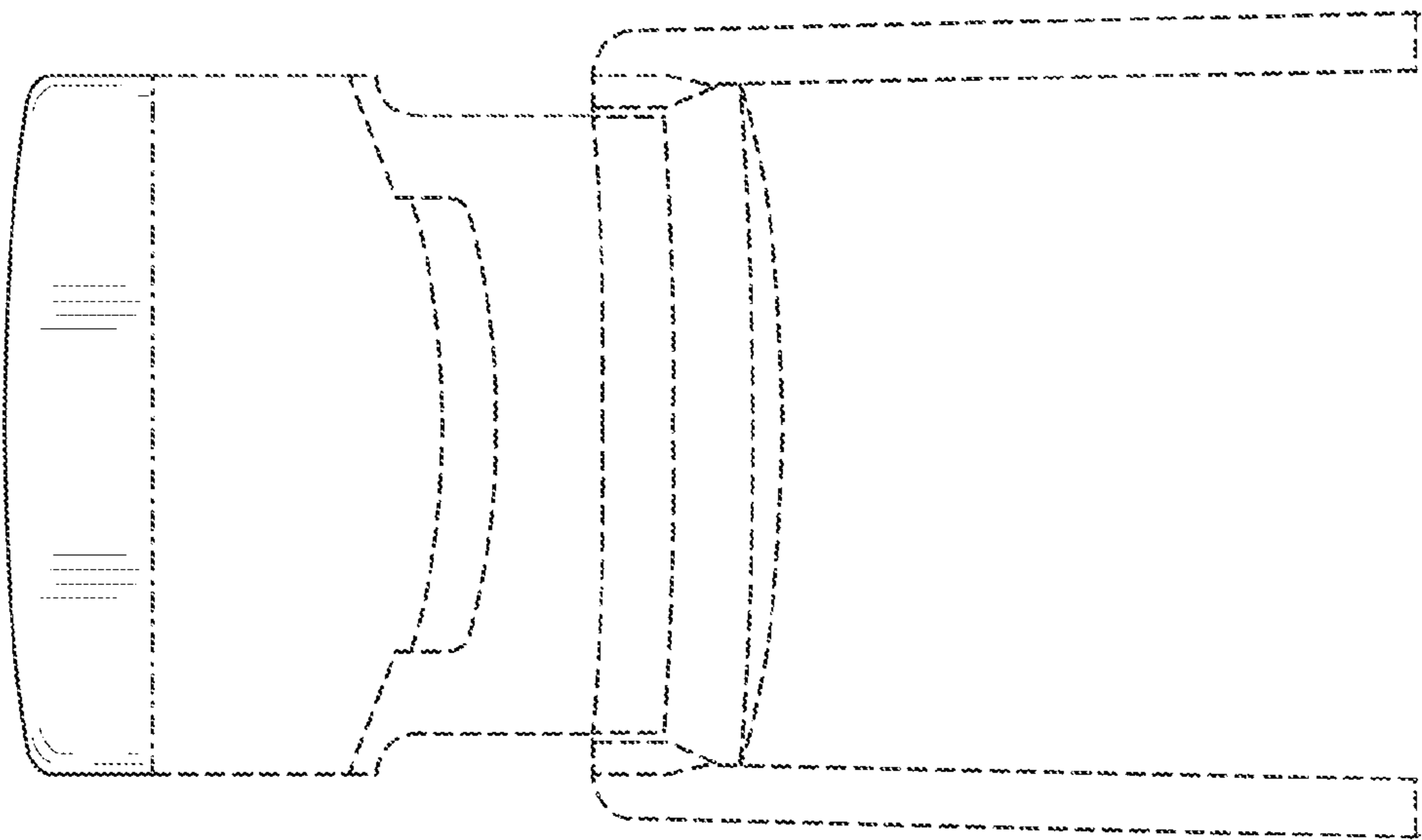


FIG. 3

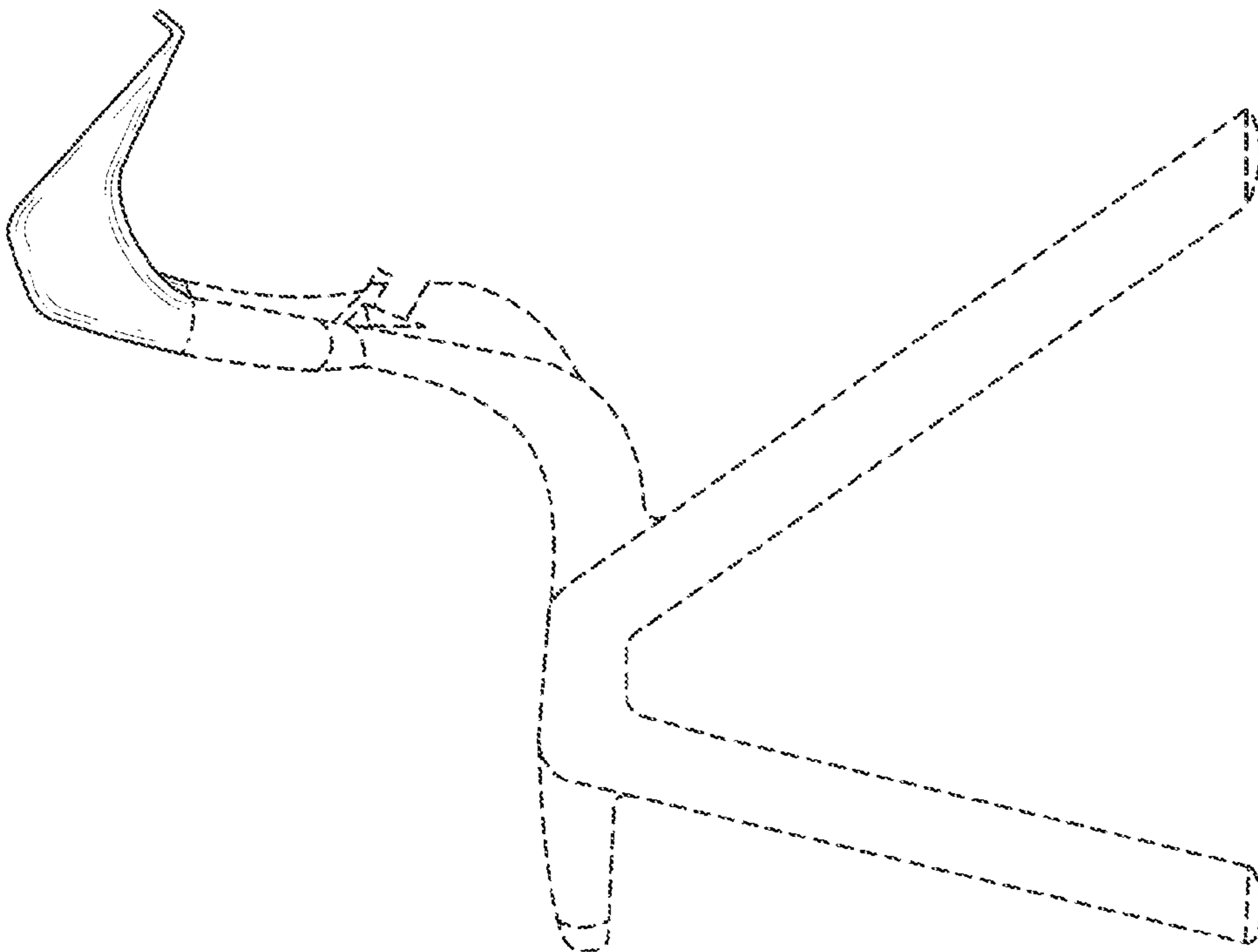


FIG. 5

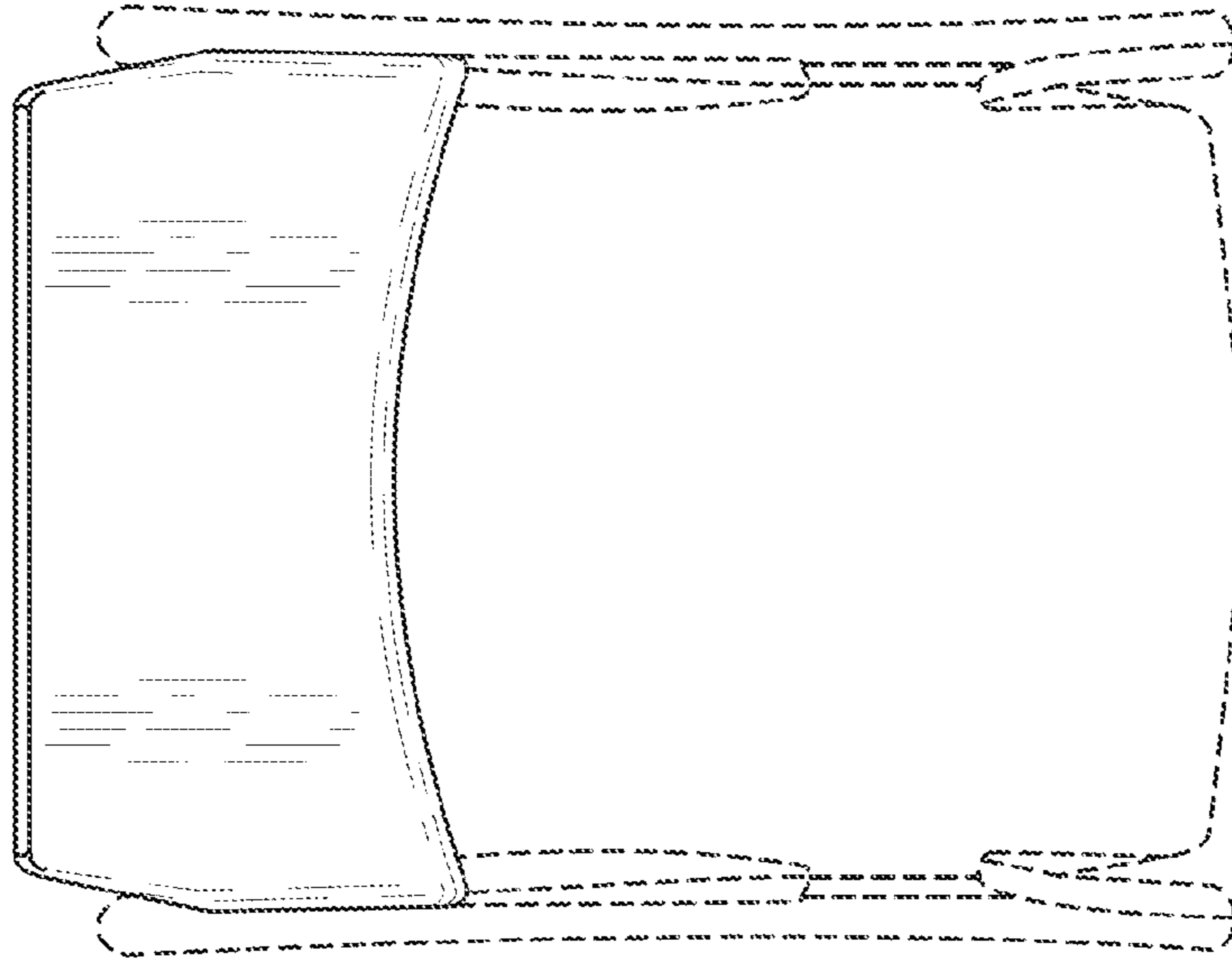


FIG. 6