



US00D646088S

(12) **United States Design Patent**
Ballendat

(10) **Patent No.:** **US D646,088 S**

(45) **Date of Patent:** **** Oct. 4, 2011**

(54) **CHAIRS**

(75) Inventor: **Martin Ballendat**, Simbach (DE)

(73) Assignee: **moll Funktionsmöbel GmbH**,
Gruibingen (DE)

(**) Term: **14 Years**

(21) Appl. No.: **29/381,978**

(22) Filed: **Dec. 27, 2010**

(51) **LOC (9) Cl.** **06-01**

(52) **U.S. Cl.** **D6/500**

(58) **Field of Classification Search** D6/334–336,
D6/364, 365, 366, 367, 372, 374, 375, 476,
D6/379, 380, 500–502; 297/284.4, 300.2,
297/452.18, 452.12, 452.19, 452.29, 452.3,
297/452.31

See application file for complete search history.

(56) **References Cited**

U.S. PATENT DOCUMENTS

D167,940 S *	10/1952	Hofgesang	D6/375
3,512,835 A *	5/1970	Flototto	297/452.31
D225,705 S *	1/1973	Torrey	D6/375
D240,575 S *	7/1976	Rinaldi	D6/372
D252,840 S *	9/1979	Scholten	D6/375
D394,961 S *	6/1998	Fancelli	D6/366

D612,165 S * 3/2010 Caggiano D6/372
* cited by examiner

Primary Examiner — Mimoso De

(74) *Attorney, Agent, or Firm* — Browdy and Neimark,
PLLC

(57) **CLAIM**

The ornamental design for chairs, as shown and described.

DESCRIPTION

FIG. 1 is a right side elevational view of a first embodiment of a chair, showing my new design;

FIG. 2 is a left side elevational view thereof;

FIG. 3 is a front elevational view thereof;

FIG. 4 is a rear elevational view thereof;

FIG. 5 is a perspective view thereof, from the rear;

FIG. 6 is a top plan view thereof;

FIG. 7 is a bottom plan view thereof;

FIG. 8 is a right side elevational view of a second embodiment of a chair, showing my new design;

FIG. 9 is a left side elevational view thereof;

FIG. 10 is a front elevational view thereof;

FIG. 11 is a rear elevational view thereof;

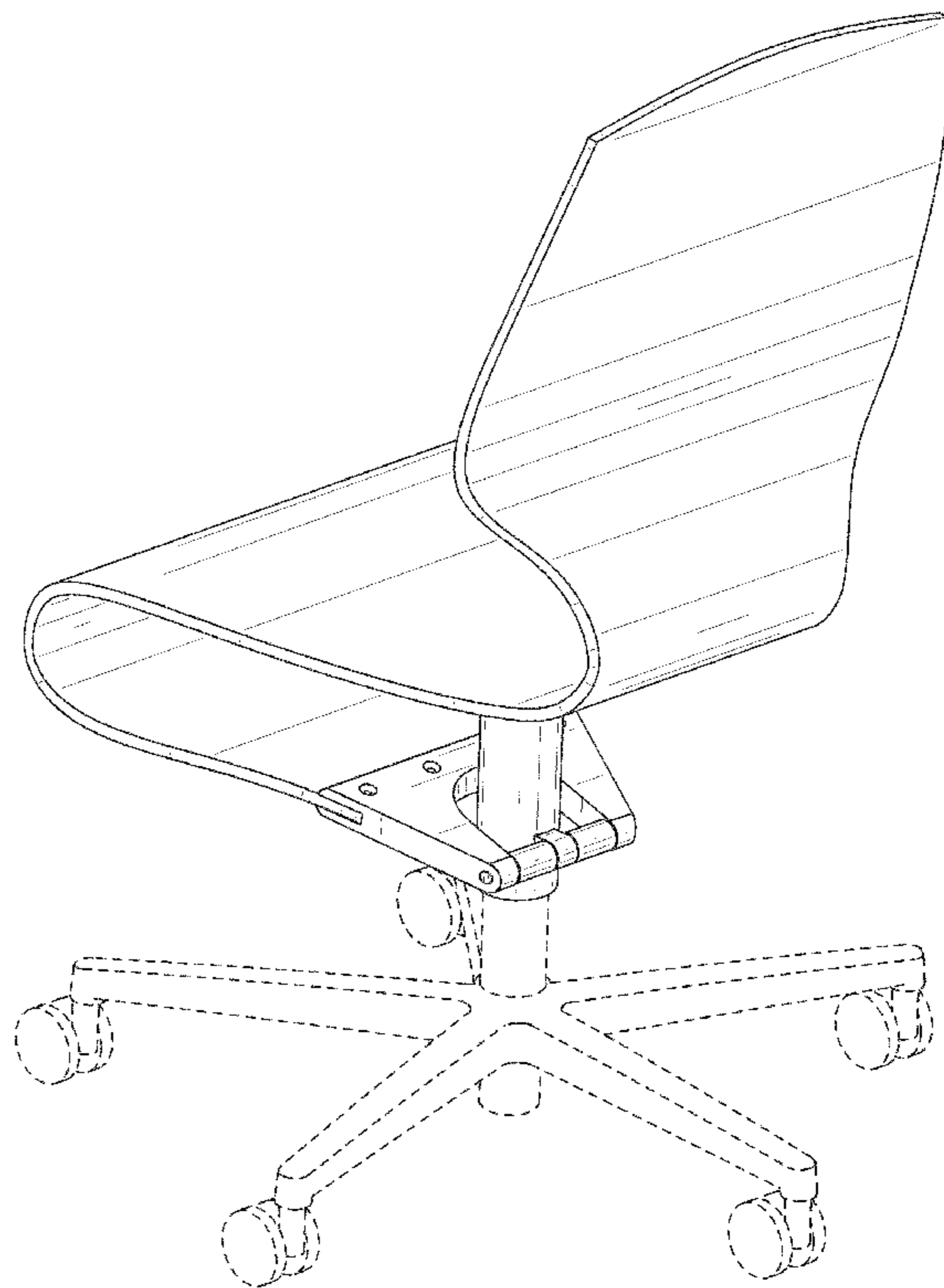
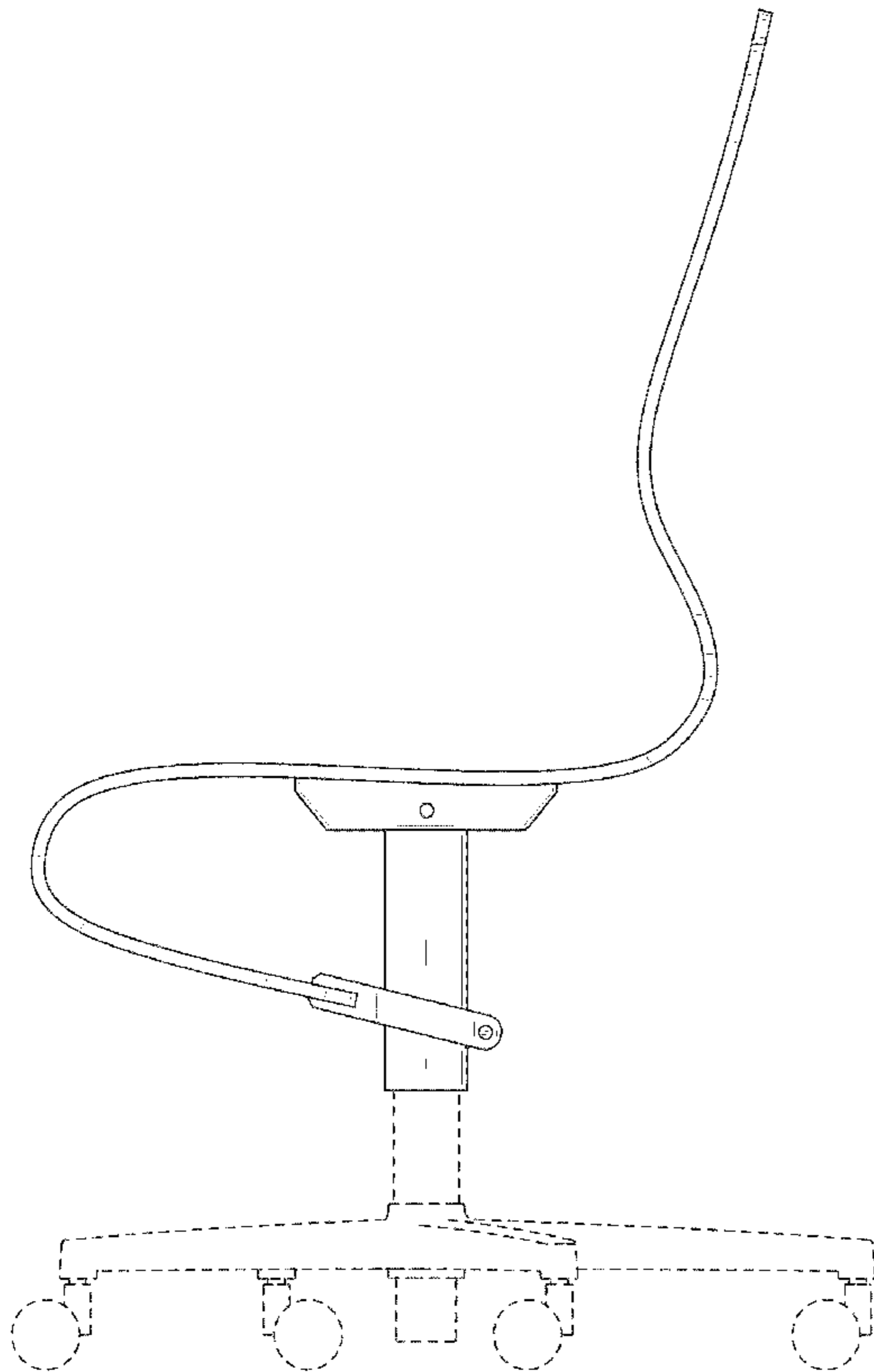
FIG. 12 is a perspective view thereof, from the rear;

FIG. 13 is a top plan view thereof; and,

FIG. 14 is a bottom plan view thereof.

The base portions are shown in broken lines because they form no part of the claimed design.

1 Claim, 14 Drawing Sheets



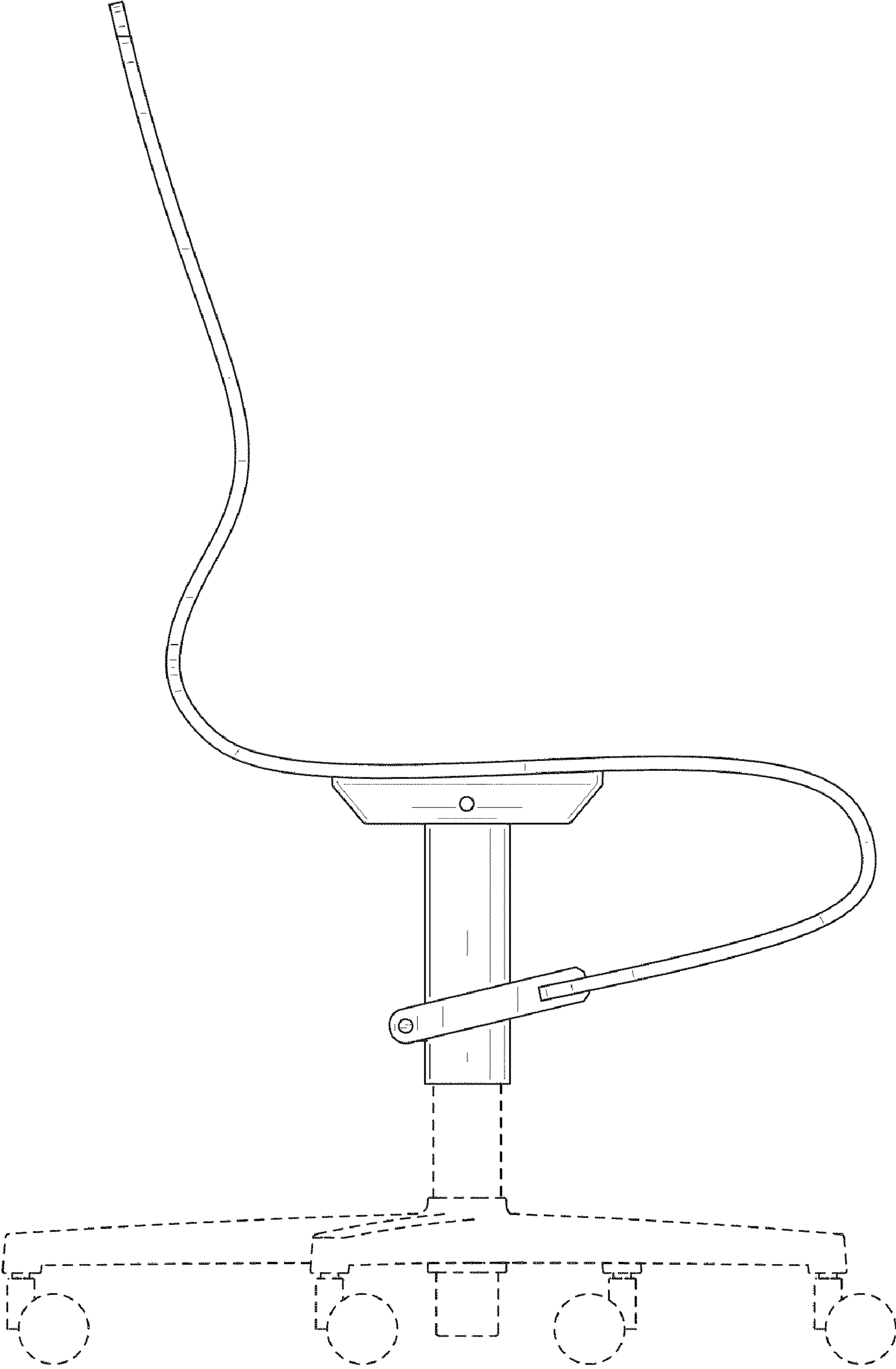


FIG. 1

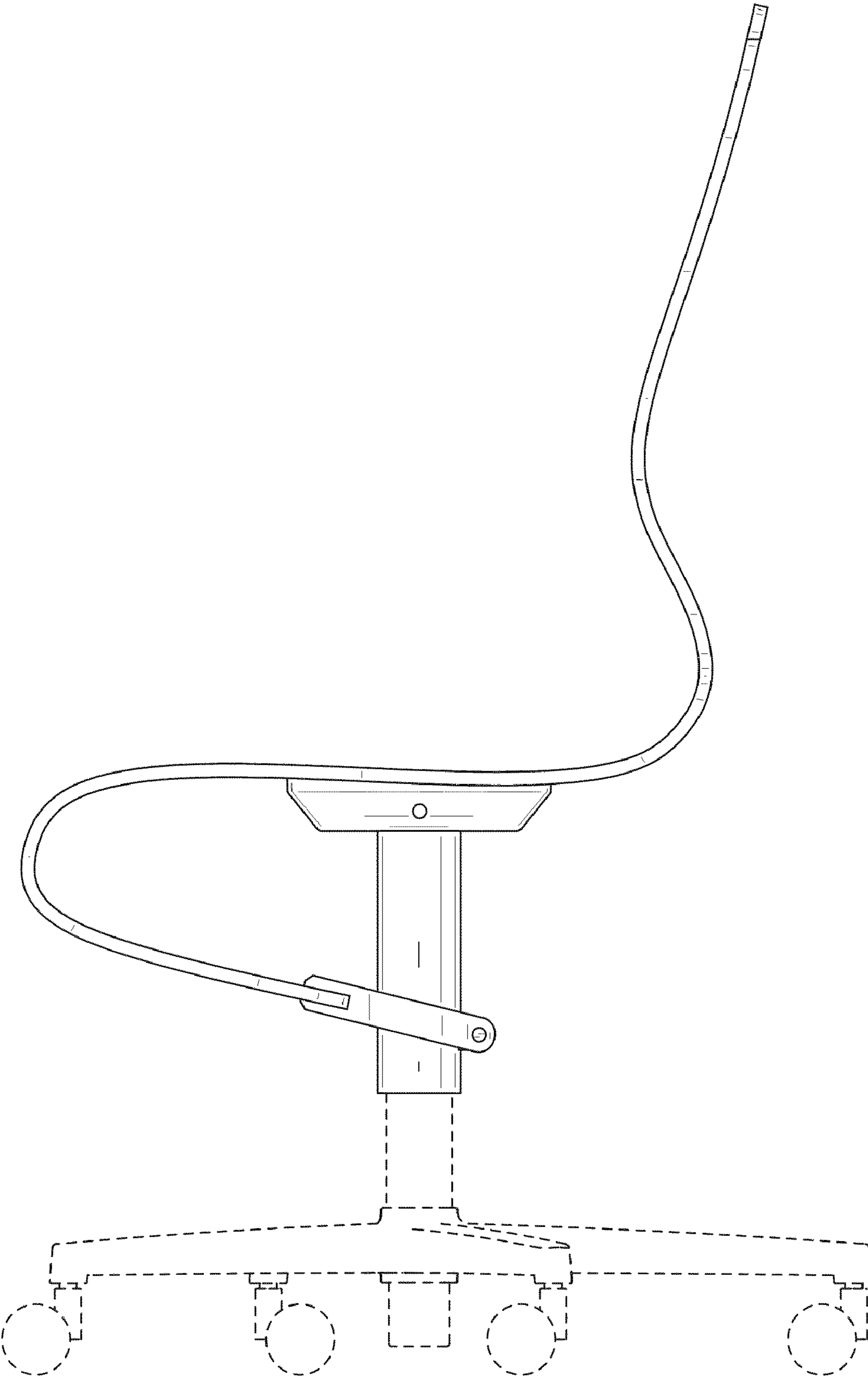


FIG. 2

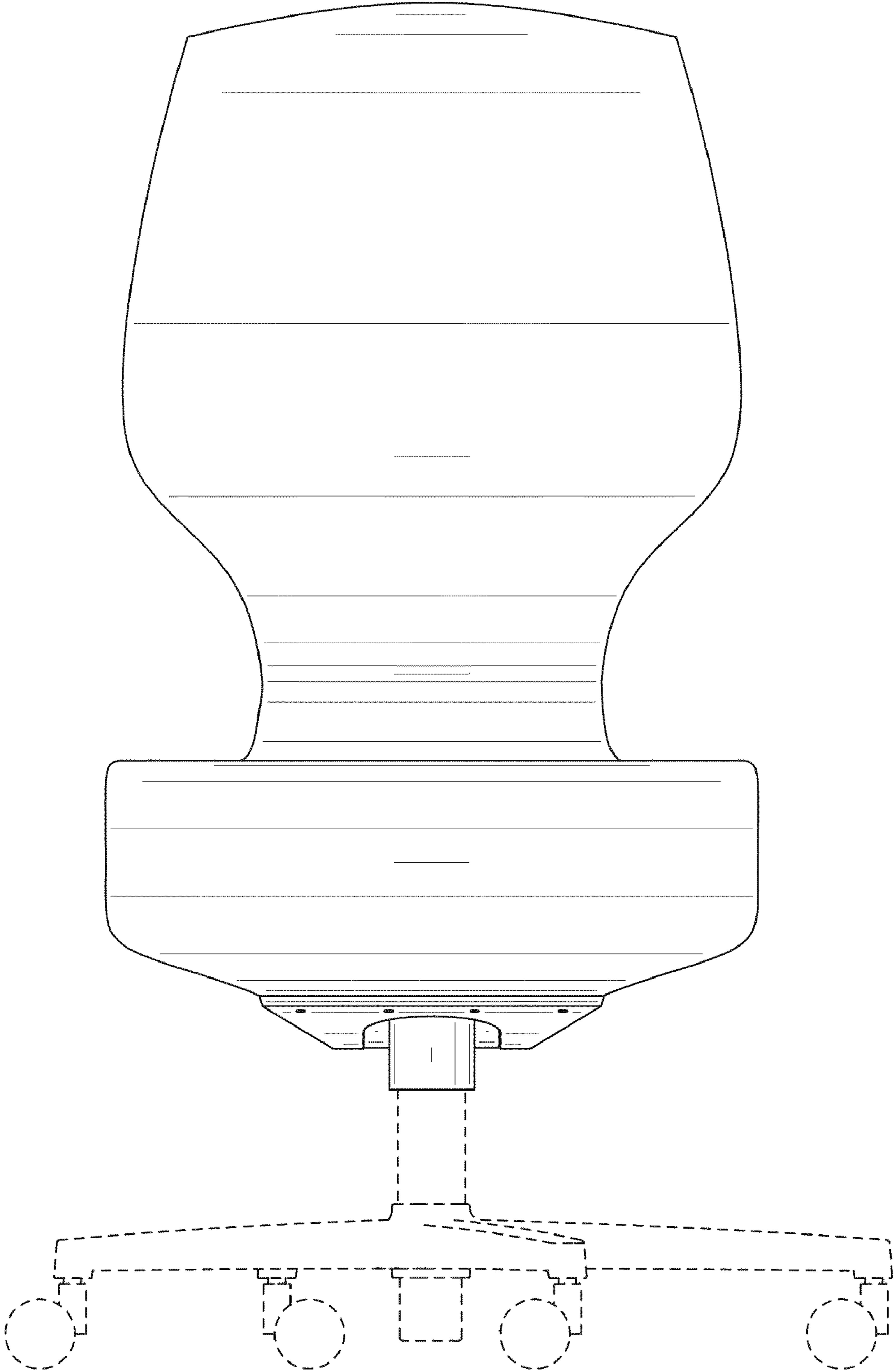


FIG. 3

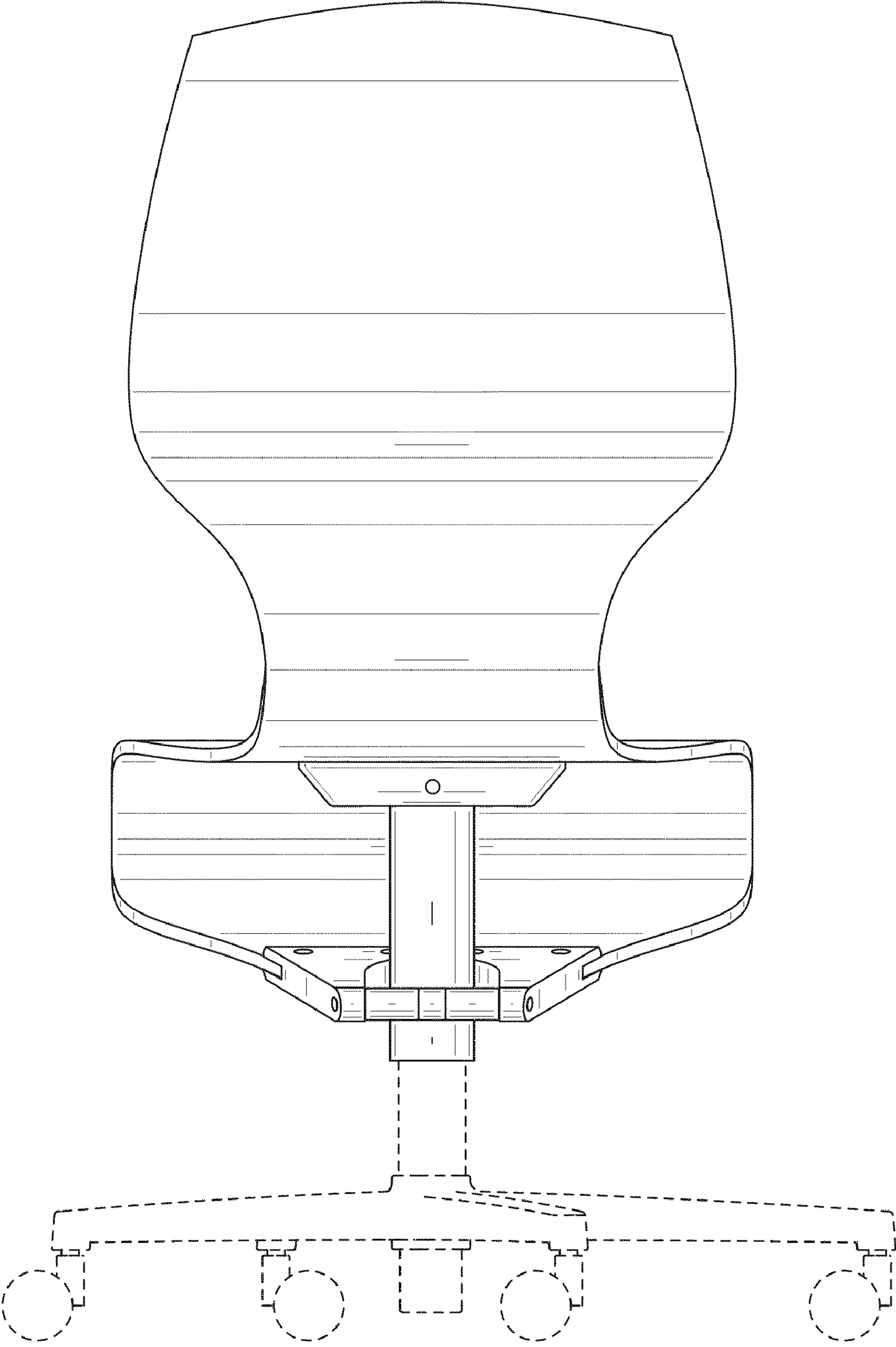


FIG. 4

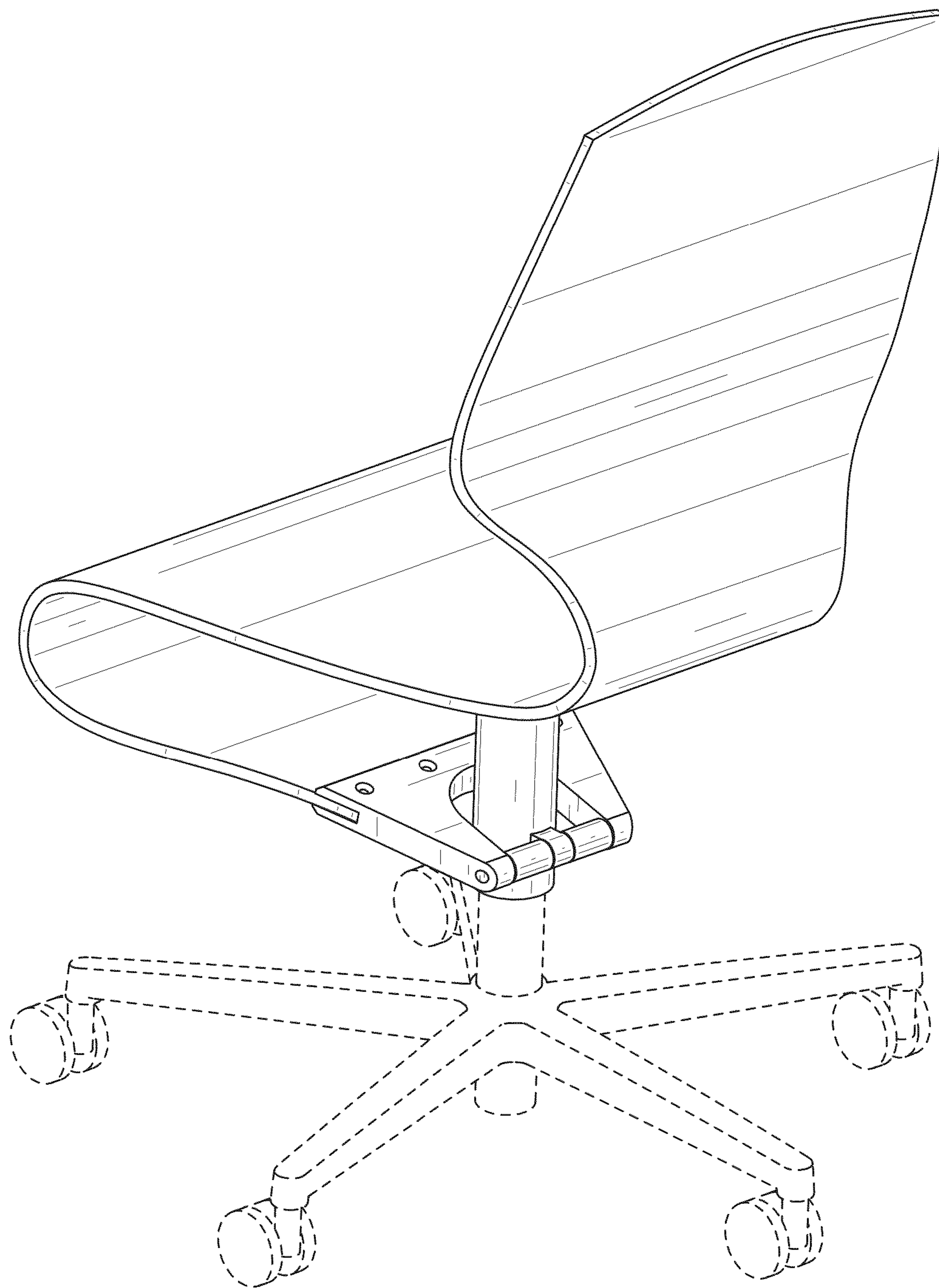


FIG. 5

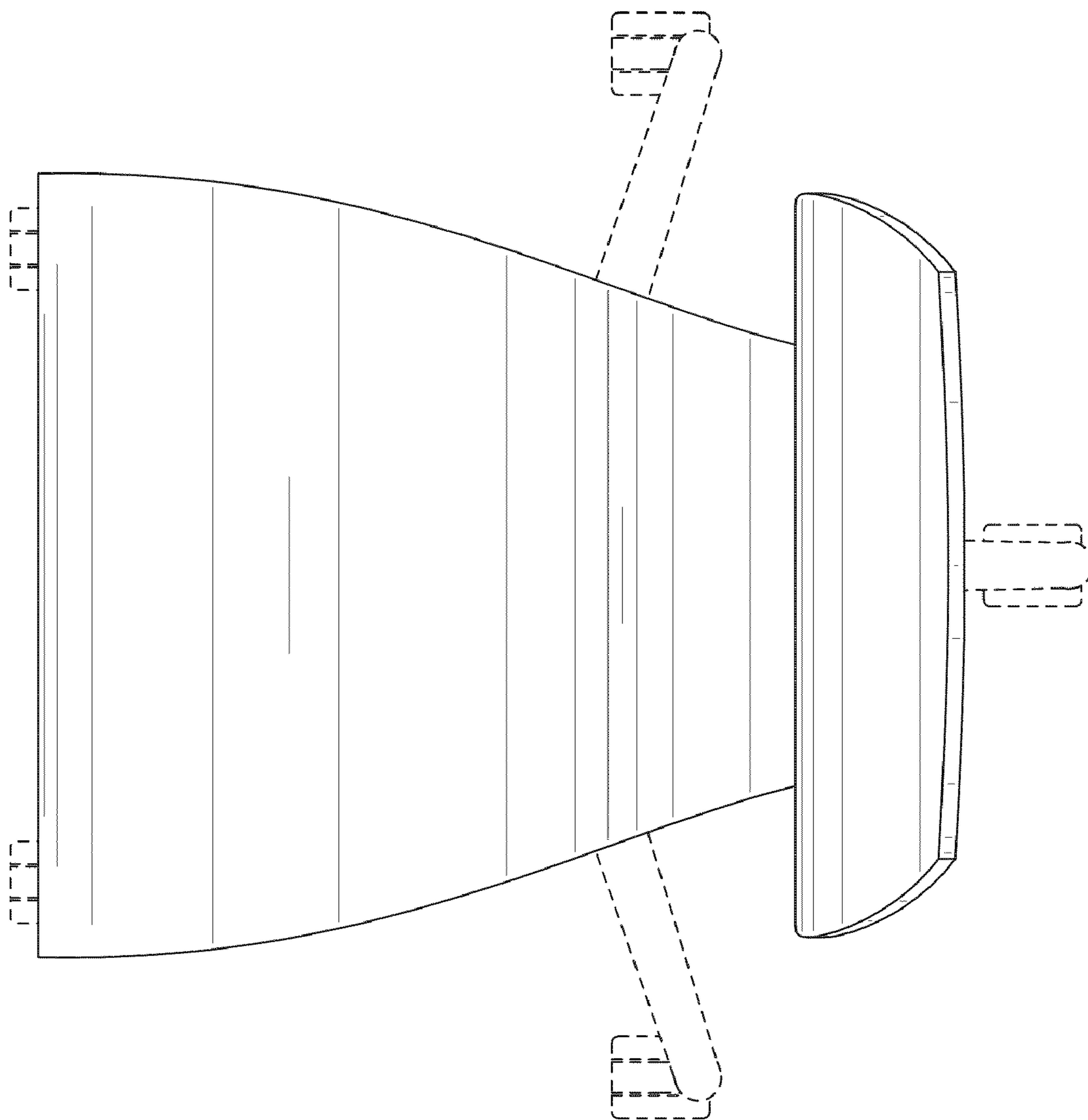


FIG. 6

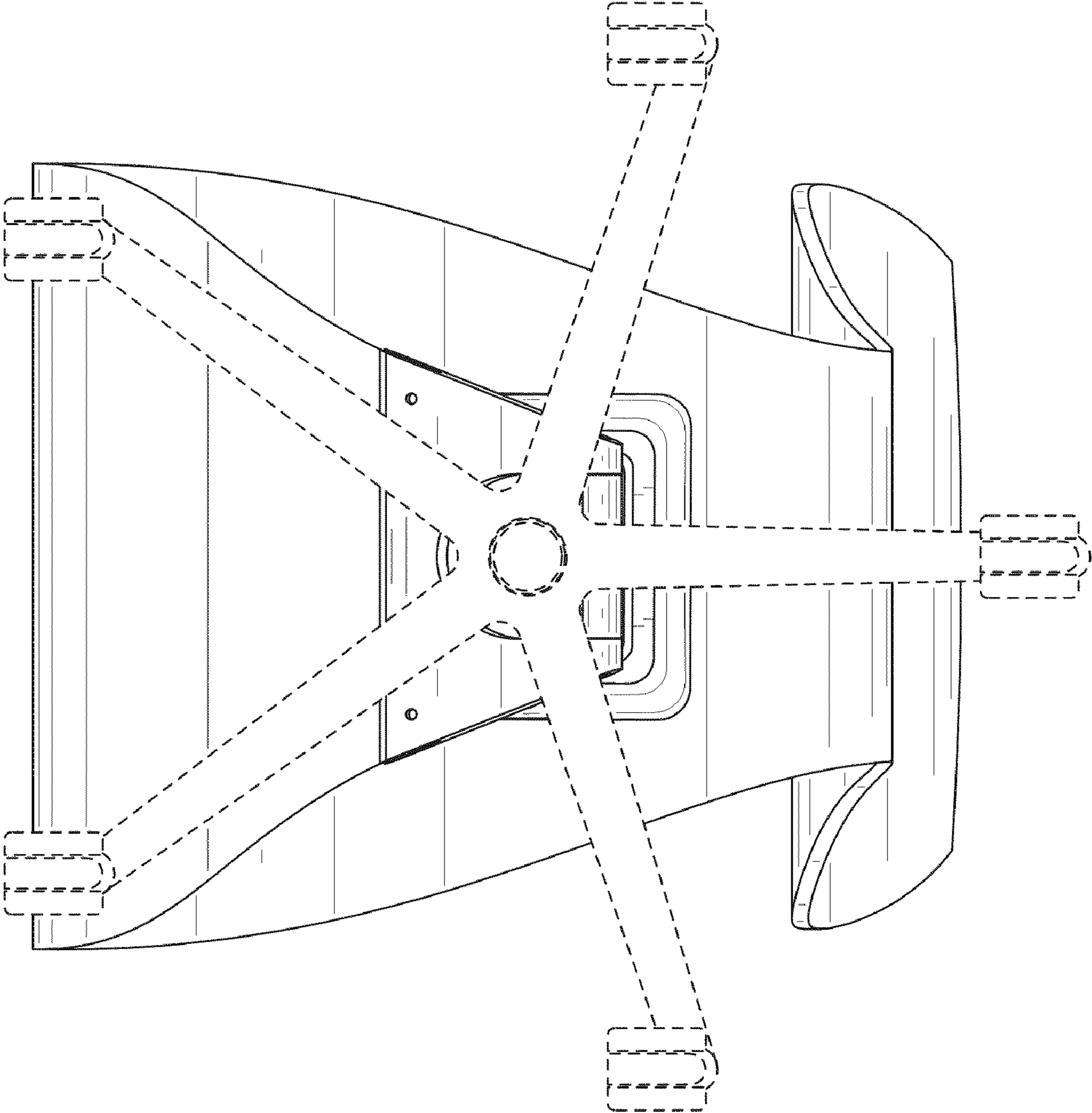


FIG. 7

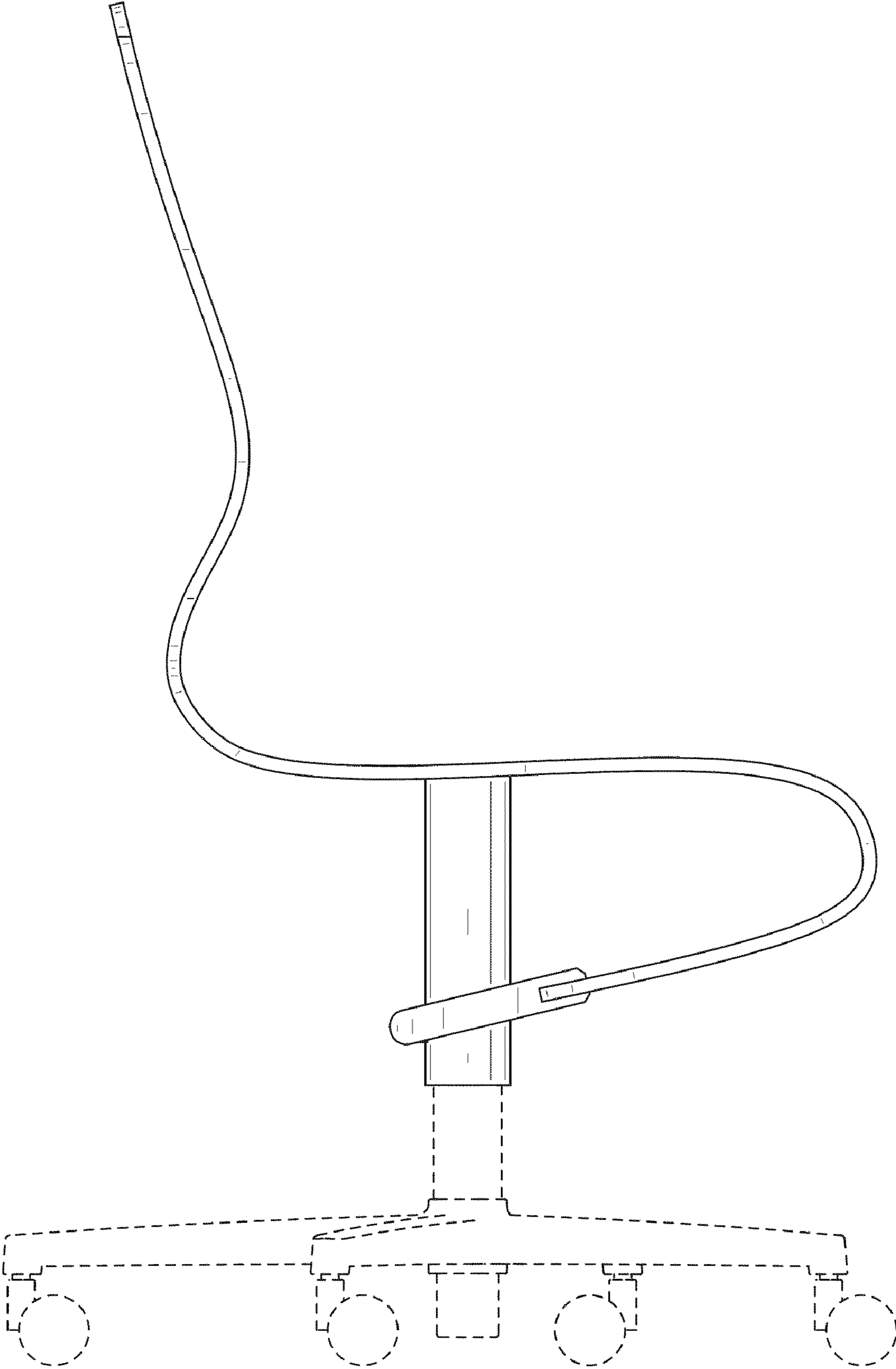


FIG. 8

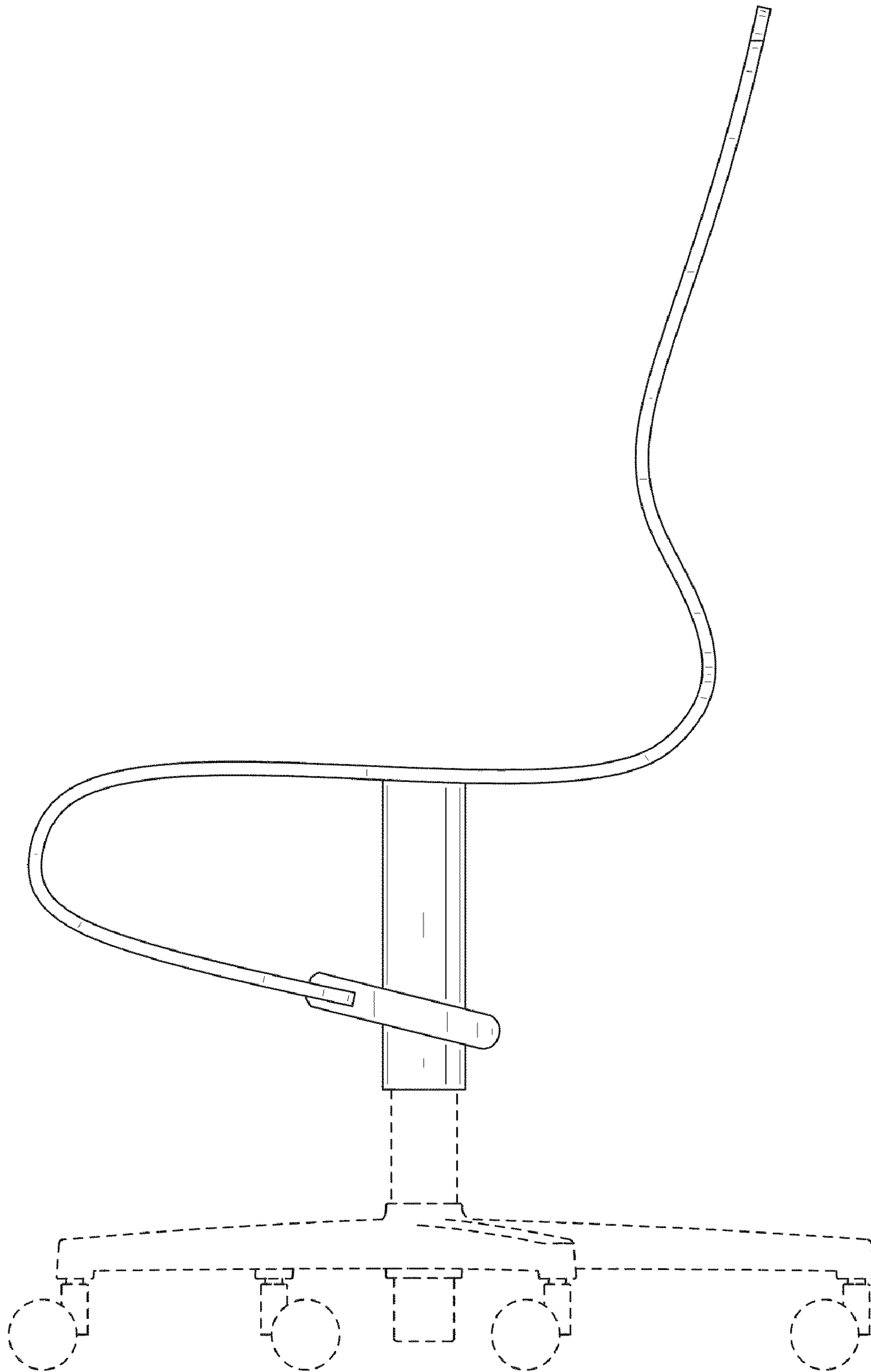


FIG. 9

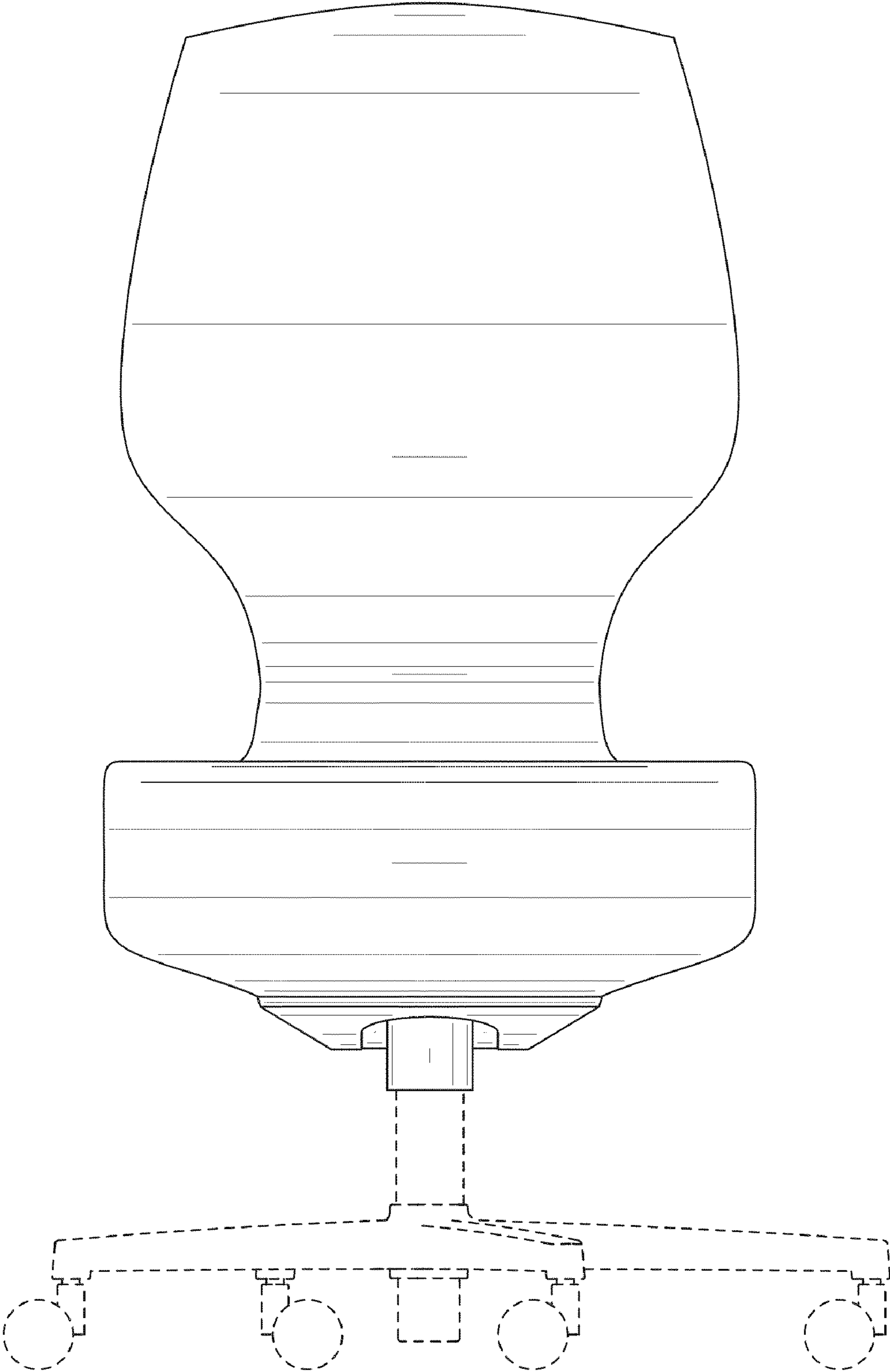


FIG. 10

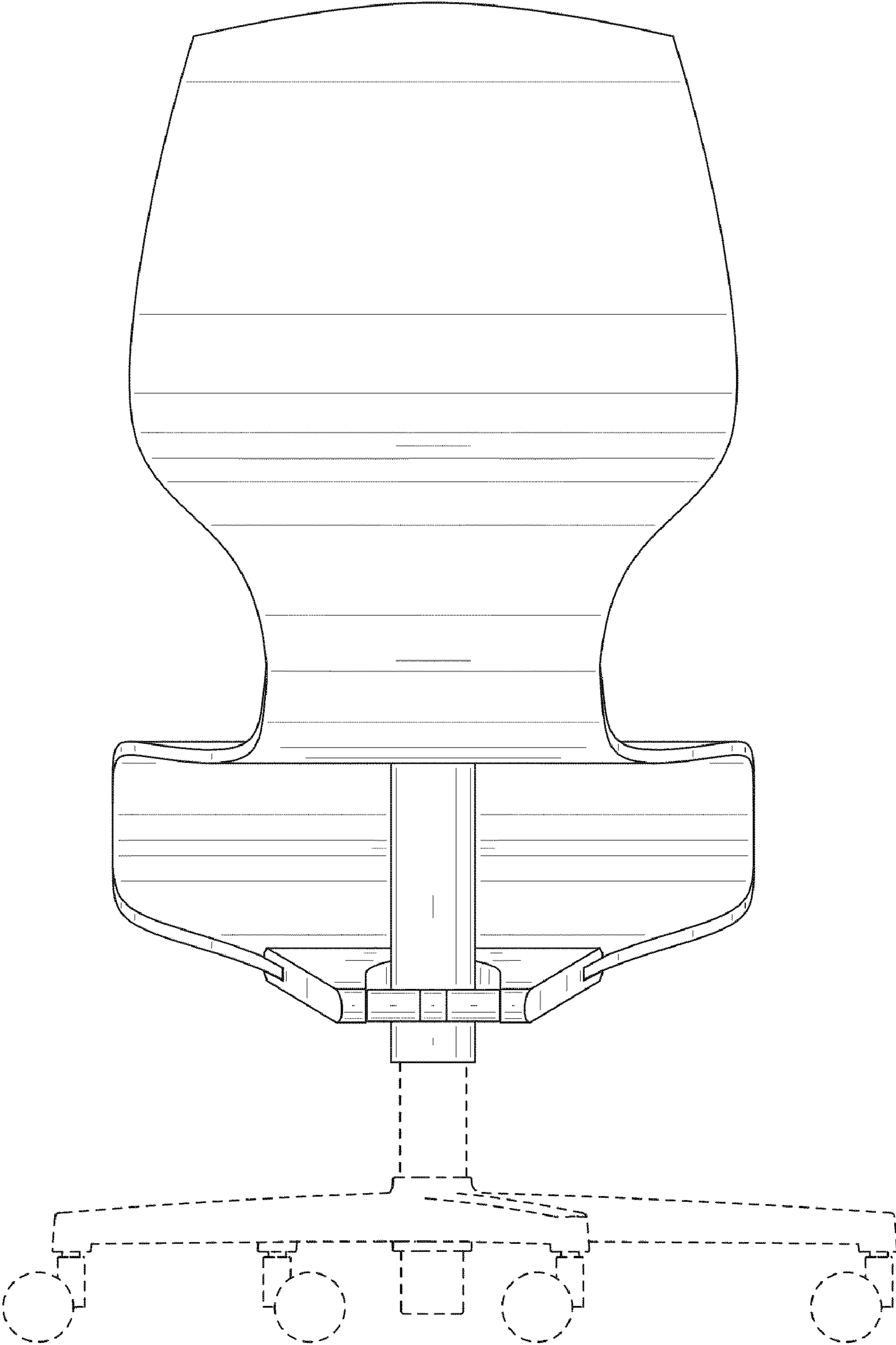


FIG. 11

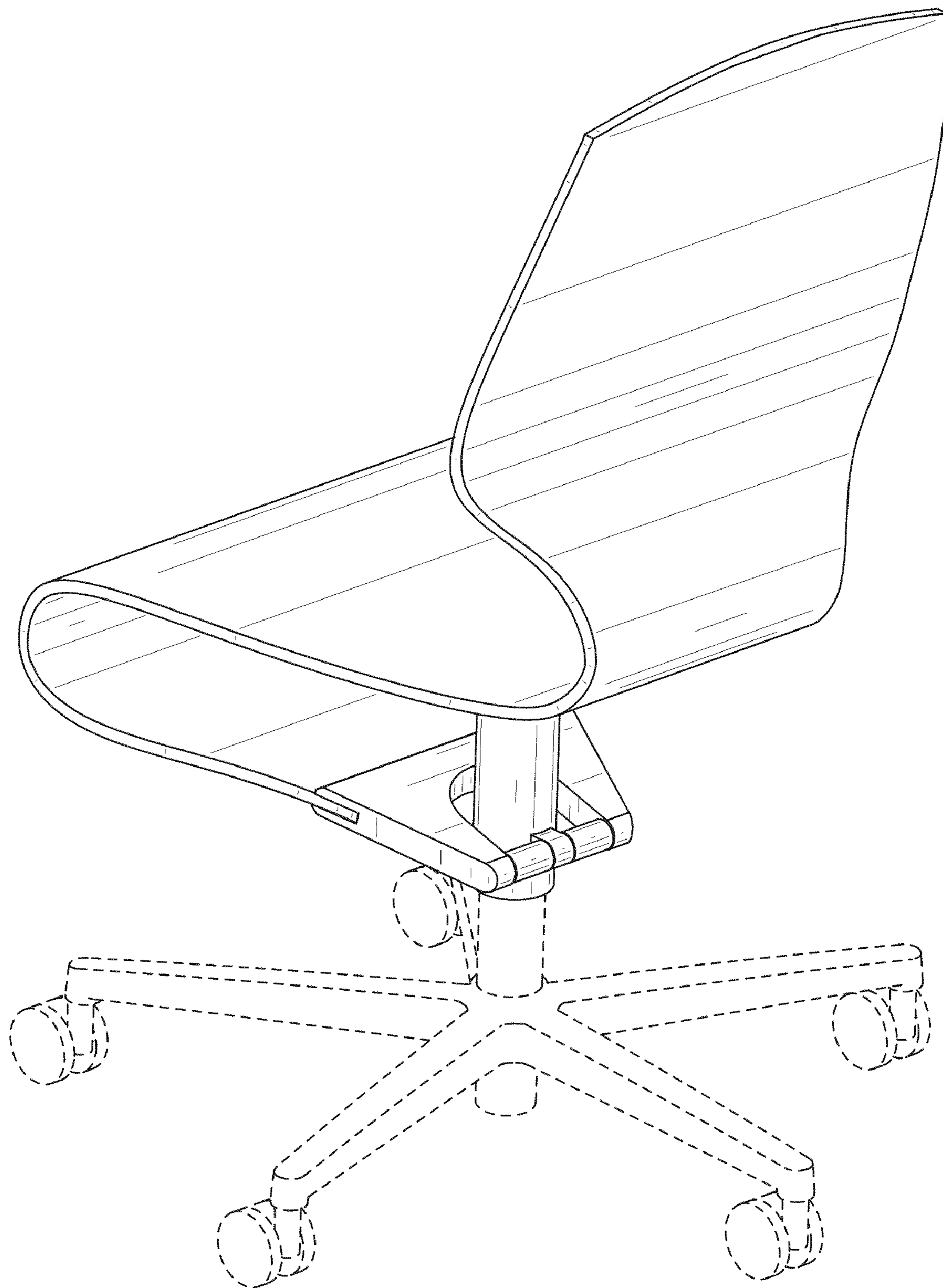


FIG. 12

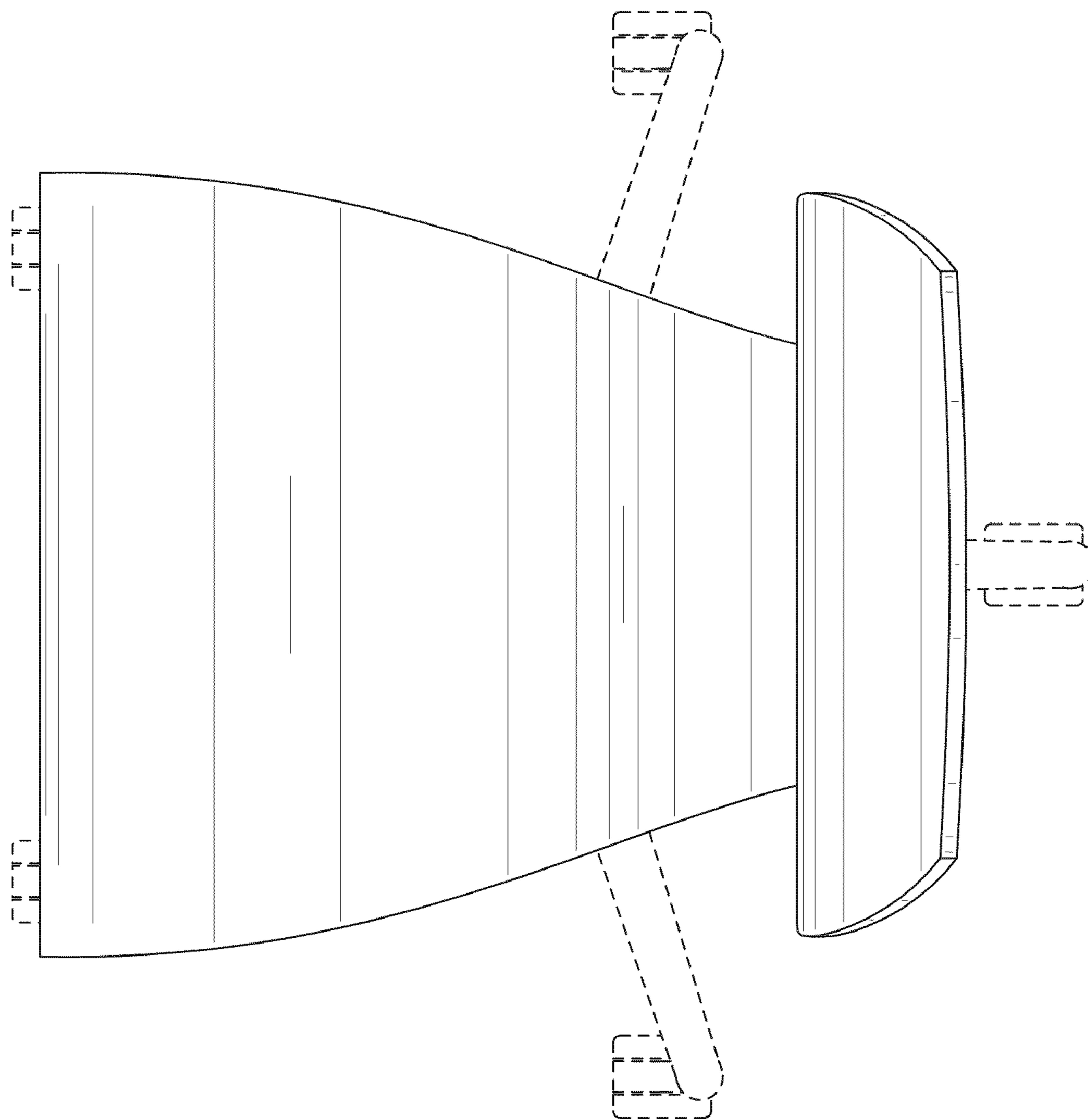


FIG. 13

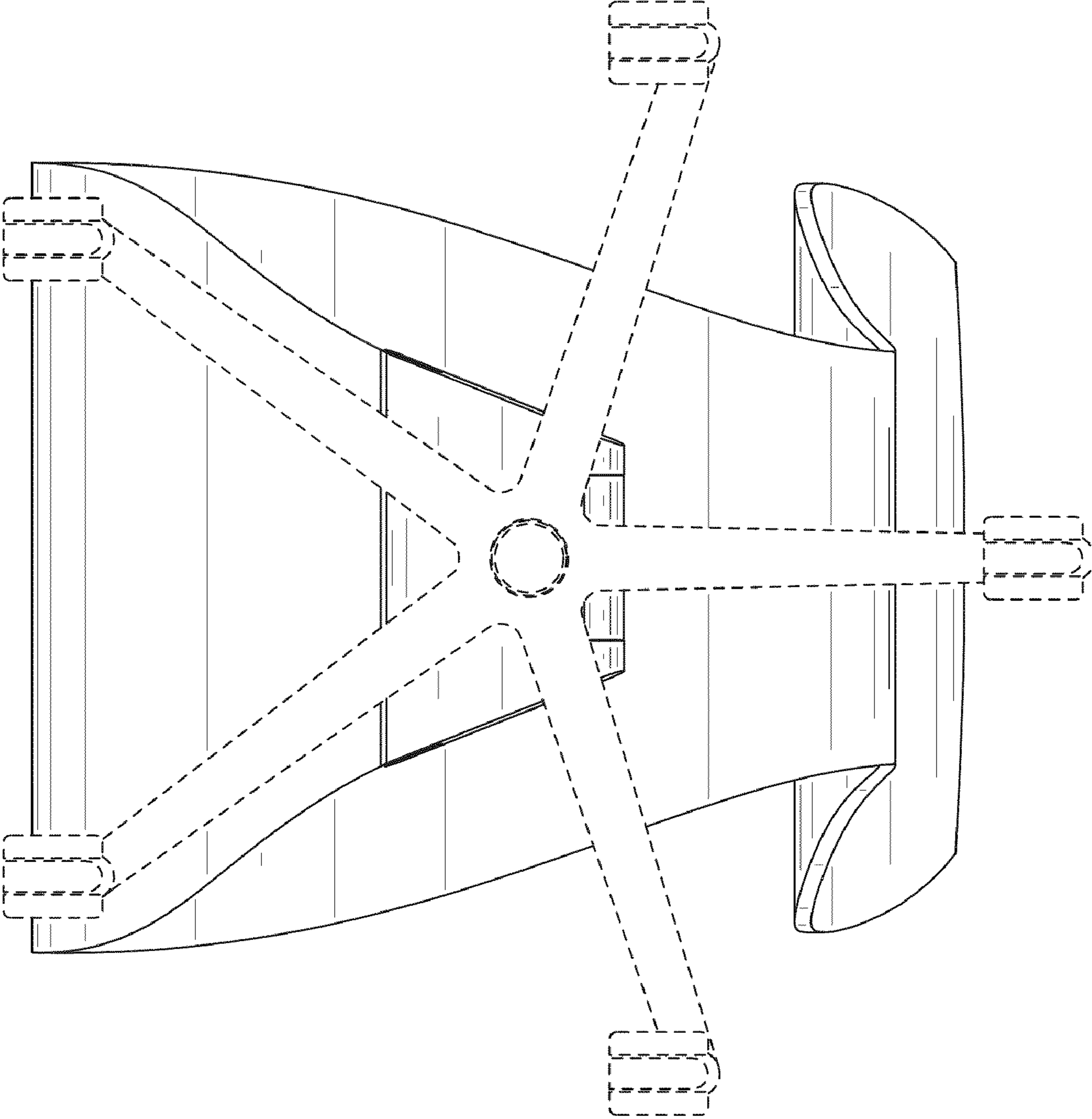


FIG. 14