



US00D646087S

(12) **United States Design Patent**  
**Miller et al.**

(10) **Patent No.:** **US D646,087 S**  
(45) **Date of Patent:** **\*\* Oct. 4, 2011**

(54) **CHAIR**

(75) Inventors: **David H. Miller**, Grand Rapids, MI (US); **Geoff J. Miller**, Ada, MI (US); **Christopher R. Pabst**, Marne, MI (US); **Daniel J. Gramza**, Rockford, MI (US)

(73) Assignee: **Grand Rapids Chair Company**, Grand Rapids, MI (US)

(\*\*) Term: **14 Years**

(21) Appl. No.: **29/361,884**

(22) Filed: **May 17, 2010**

(51) **LOC (9) Cl.** ..... **06-01**

(52) **U.S. Cl.** ..... **D6/500**

(58) **Field of Classification Search** ..... D6/334-336, D6/374-375, 379-380, 500-502; 297/445.1, 297/284.4, 411.27, 452.13, 452.19, 452.21, 297/452.29, 452.3, 452.56, 452.64

See application file for complete search history.

(56) **References Cited**

**U.S. PATENT DOCUMENTS**

2,134,639	A	10/1938	McGowen	
2,806,515	A	9/1957	Burst	
D182,426	S	4/1958	McCarthy et al.	
3,041,110	A *	6/1962	King et al.	297/451.1
3,159,428	A *	12/1964	Kaiser	297/452.65
3,708,202	A *	1/1973	Barecki et al.	297/239
4,054,317	A	10/1977	Stumpf	
4,768,833	A *	9/1988	Virtue	297/440.2
D297,890	S *	10/1988	Hockenberry et al.	D6/367
4,913,496	A	4/1990	Oke	
D315,836	S *	4/1991	Kaiser	D6/334
5,154,474	A	10/1992	Desanta	
D333,733	S *	3/1993	Sammons	D6/334
D341,045	S	11/1993	Barile	
5,297,851	A	3/1994	Van Hekken	
D382,150	S	8/1997	Balderi et al.	
D411,699	S	6/1999	Bond et al.	

D413,216	S	8/1999	Regan et al.	
6,135,562	A	10/2000	Infanti	
D433,836	S *	11/2000	Barile, Sr.	D6/380
6,471,293	B2	10/2002	Ware et al.	
D469,621	S	2/2003	Kita	
6,679,551	B2	1/2004	Ware et al.	

(Continued)

**OTHER PUBLICATIONS**

Commonly assigned co-pending U.S. Appl. No. 29/361,770, filed May 14, 2010, entitled Chair.

(Continued)

*Primary Examiner* — Elizabeth Albert  
*Assistant Examiner* — Kelley Donnelly

(74) *Attorney, Agent, or Firm* — Gardner, Linn, Burkhardt & Flory, LLP

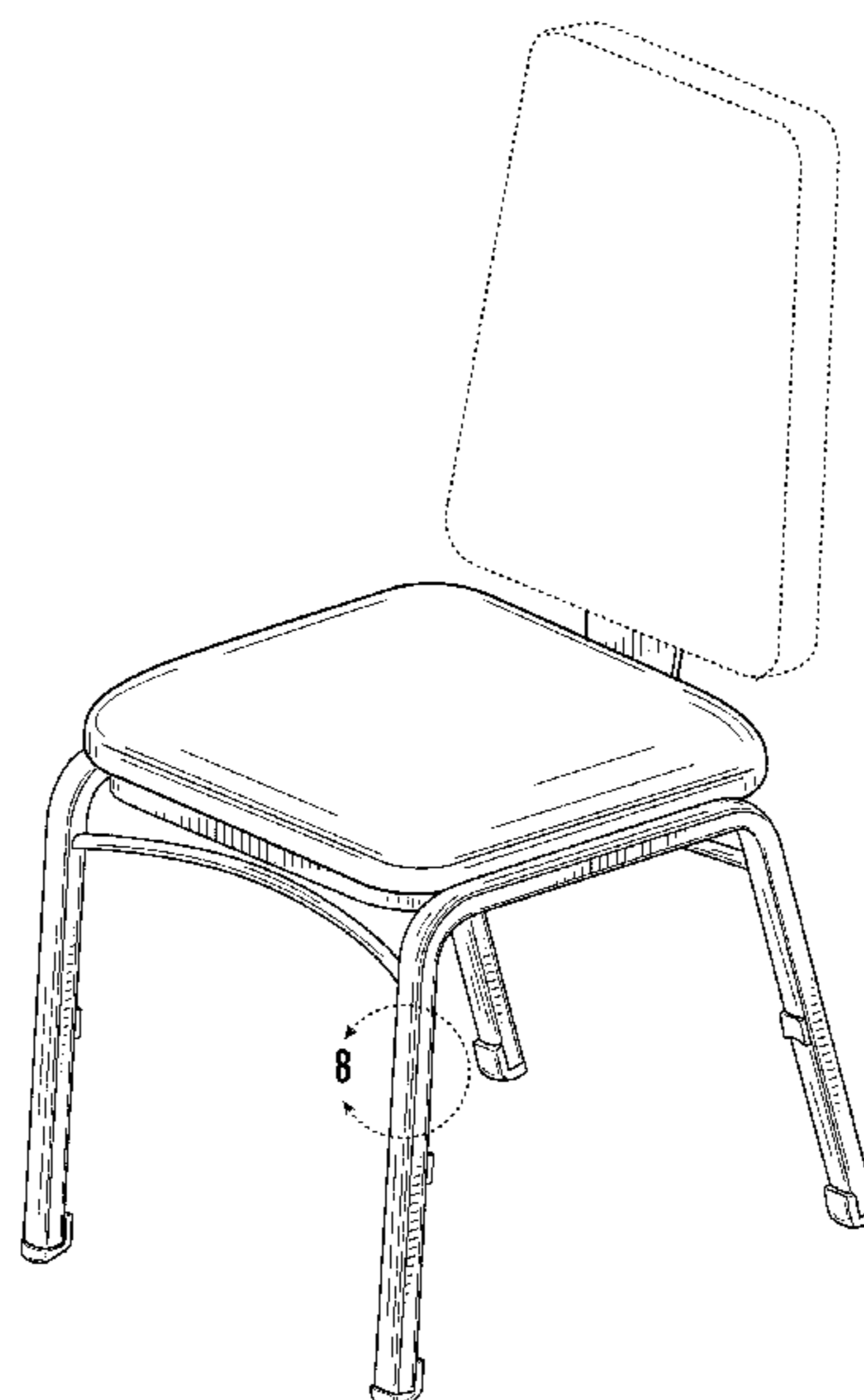
(57) **CLAIM**

The ornamental design for the chair, substantially as shown and described.

**DESCRIPTION**

FIG. 1 is a perspective view of the chair according to my present invention;  
FIG. 2 is a right-side elevation view of the chair of FIG. 1;  
FIG. 3 is a left-side elevation view of the chair of FIG. 1;  
FIG. 4 is a front elevation view of the chair of FIG. 1;  
FIG. 5 is a rear elevation view of the chair of FIG. 1;  
FIG. 6 is a top plan view of the chair of FIG. 1;  
FIG. 7 is a bottom plan view of the chair of FIG. 1;  
FIG. 8 is an enlarged view of the section identified as 8 in FIG. 1; and,  
FIG. 9 is a cross-section view of FIG. 8.  
The broken line showing in FIGS. 1-7 of the seat back and the broken line features in the bottom view of FIG. 7 are included for the purpose of illustrating environment and form no part of the claimed design.

**1 Claim, 8 Drawing Sheets**



# US D646,087 S

Page 2

## U.S. PATENT DOCUMENTS

D494,375 S 8/2004 Starck  
D496,173 S 9/2004 Starck  
D496,547 S 9/2004 Gasser  
6,820,934 B2 11/2004 Ware et al.  
D502,331 S 3/2005 Socha, Jr. et al.  
D506,338 S 6/2005 Gasser  
D515,340 S 2/2006 Gasser  
D517,357 S 3/2006 Gasser  
7,014,268 B2 3/2006 Socha, Jr. et al.  
D521,264 S \* 5/2006 Ware et al. .... D6/374  
D541,069 S \* 4/2007 Peitz et al. .... D6/374  
D544,227 S 6/2007 Bartlmae  
D544,228 S 6/2007 Bartlmae  
D544,229 S 6/2007 Bartlmae  
D544,236 S 6/2007 Swy et al.  
7,396,078 B2 \* 7/2008 Weber et al. .... 297/285  
D574,641 S 8/2008 Bongaerts

D581,686 S 12/2008 Miller et al.  
D581,688 S 12/2008 Miller et al.  
D589,275 S \* 3/2009 Kubryk ..... D6/374  
D602,278 S 10/2009 Kubryk  
D611,266 S \* 3/2010 Kubryk ..... D6/374  
D617,570 S \* 6/2010 Kubryk ..... D6/380  
D629,630 S \* 12/2010 Saul ..... D6/380  
2003/0164639 A1 9/2003 Infanti

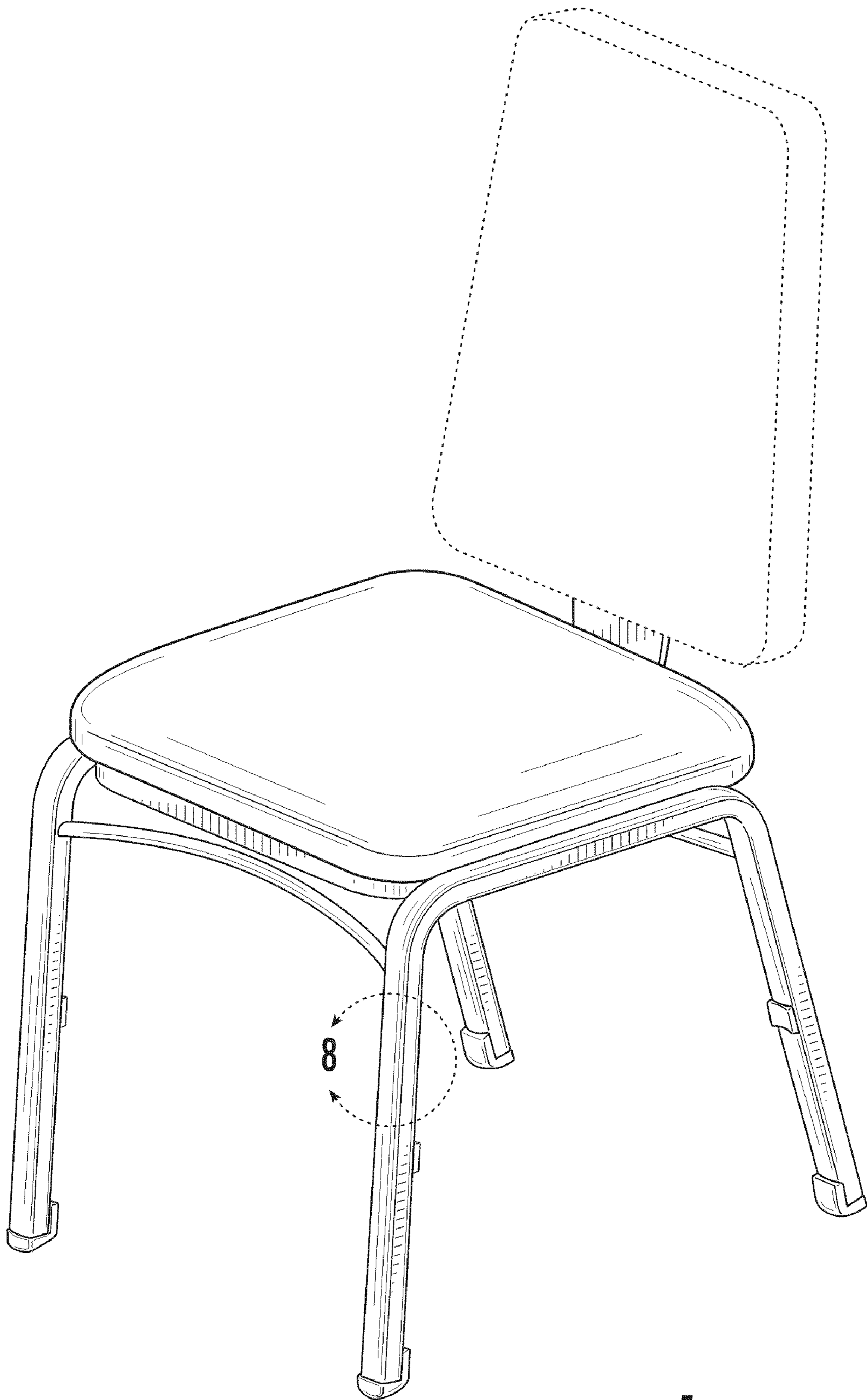
## OTHER PUBLICATIONS

Commonly assigned co-pending U.S. Appl. No. 29/361,773, filed May 14, 2010, entitled Chair.

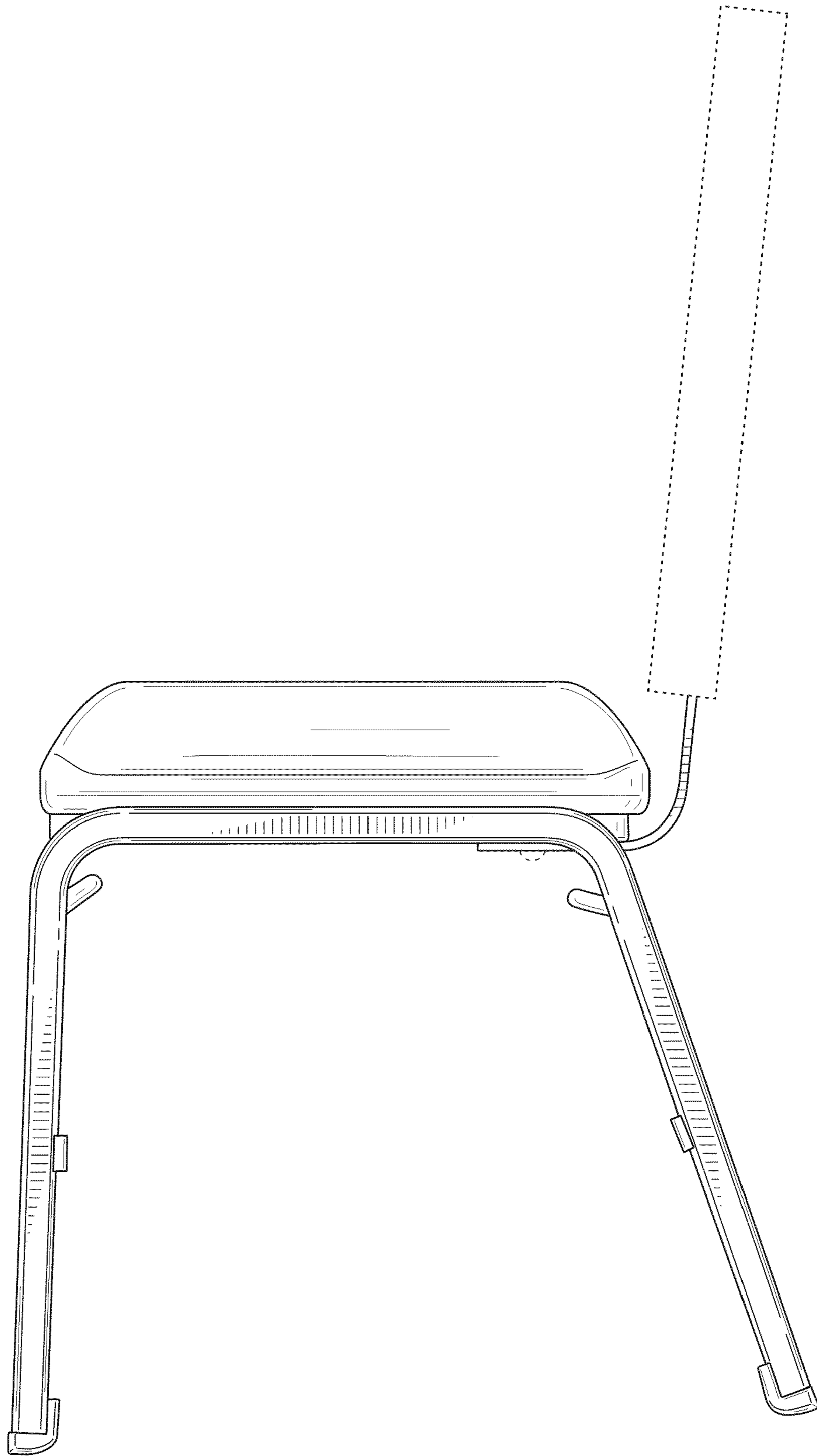
Commonly assigned co-pending U.S. Appl. No. 29/355,748, filed Feb. 12, 2010, entitled Chair.

A-1: Chair design on sale more than one year before the filing of the present application.

\* cited by examiner



**FIG. 1**



**FIG. 2**

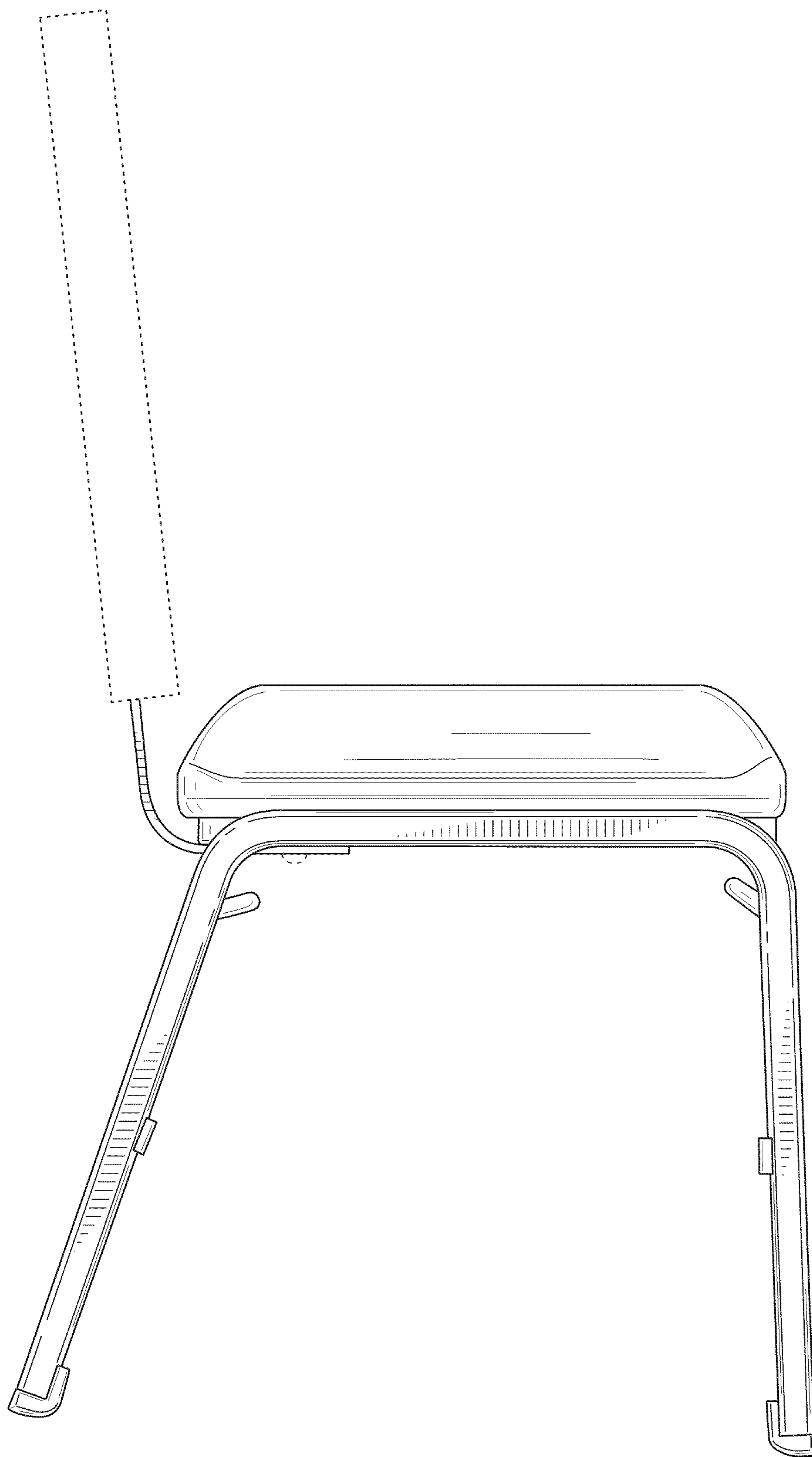


FIG. 3

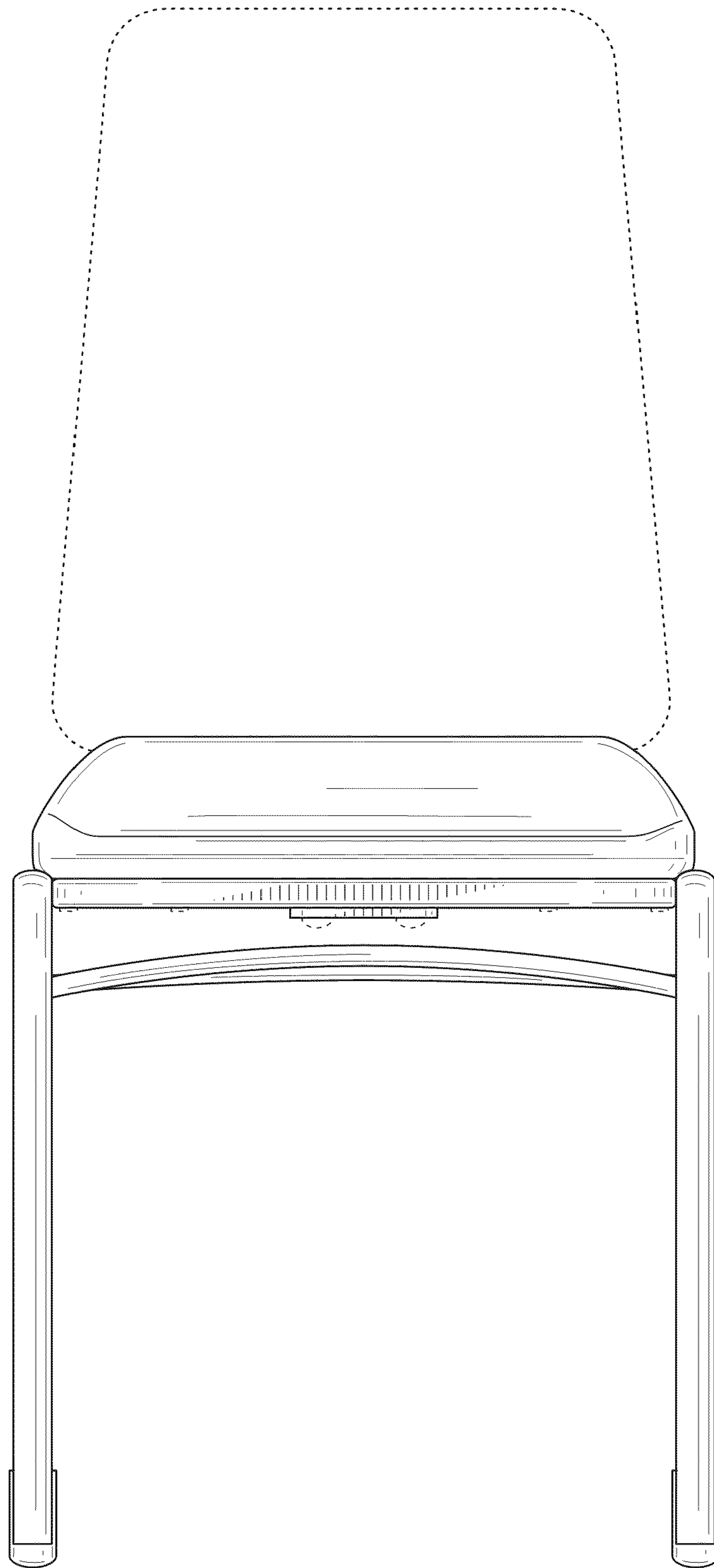
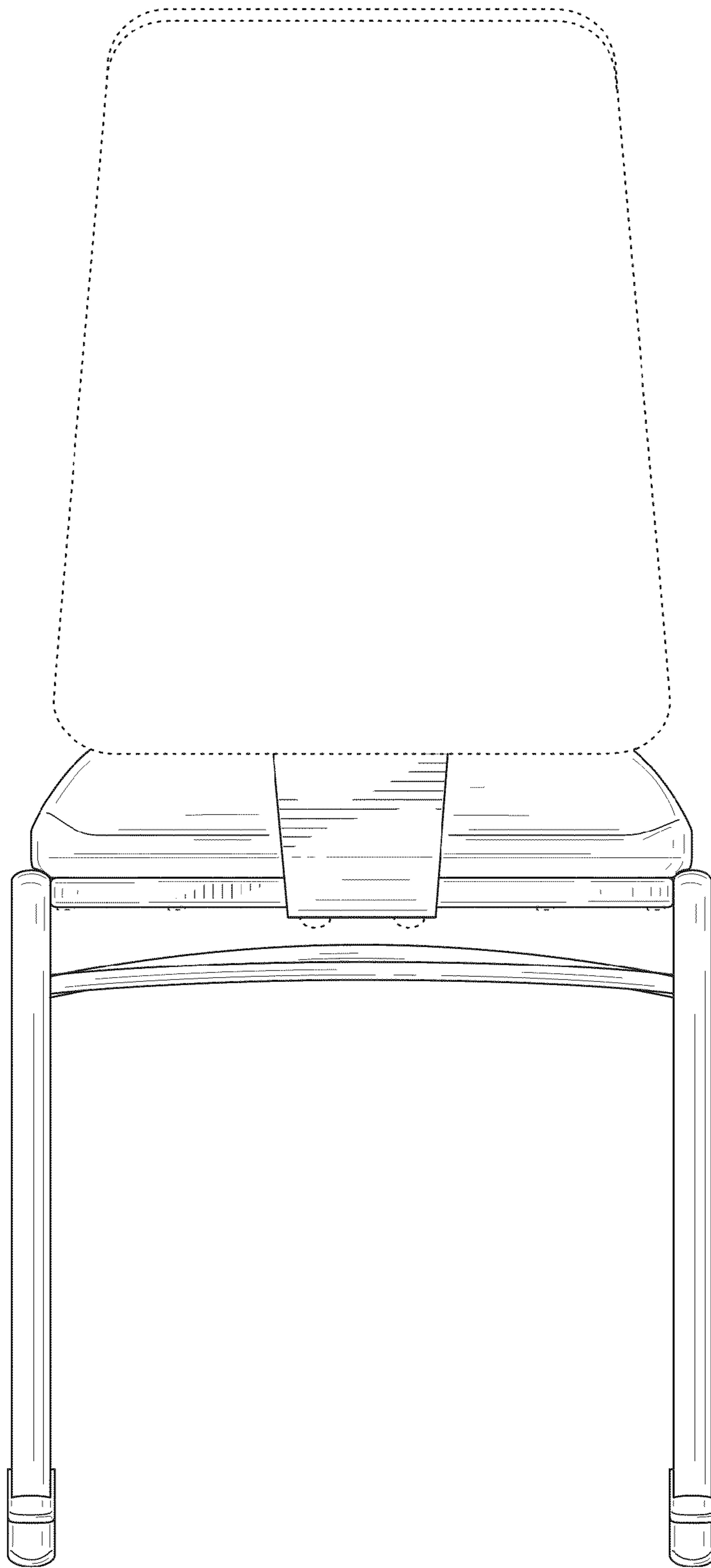
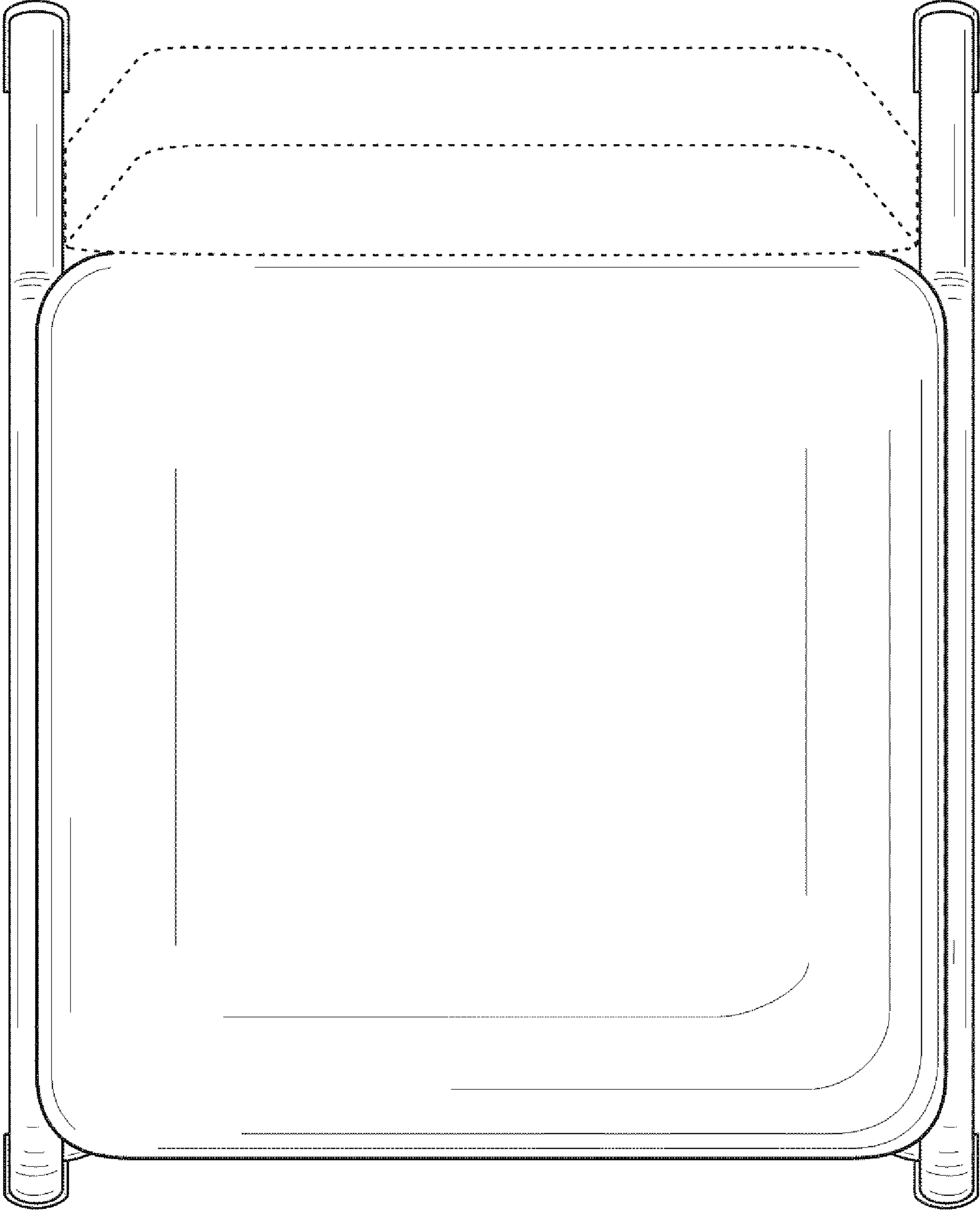


FIG. 4

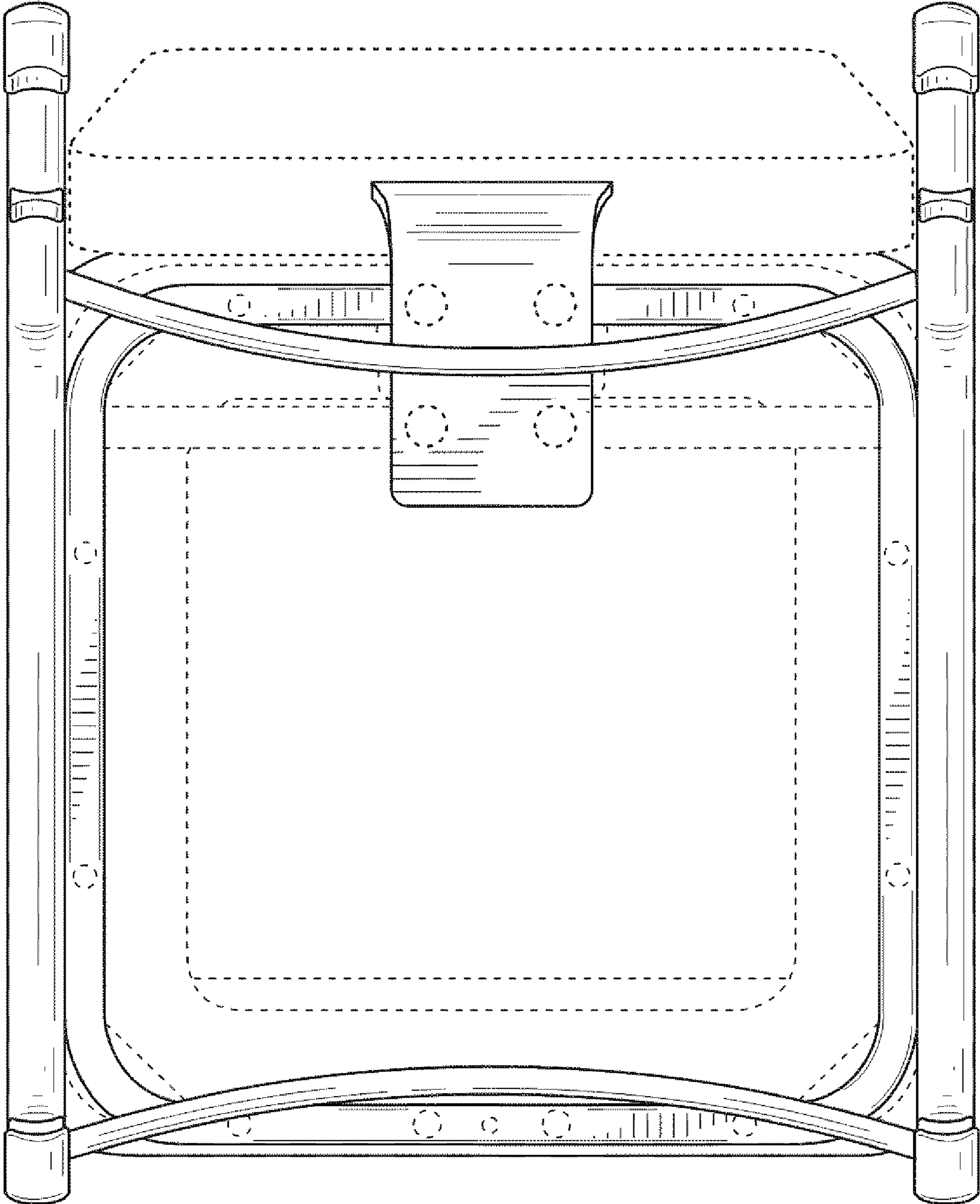


*FIG. 5*

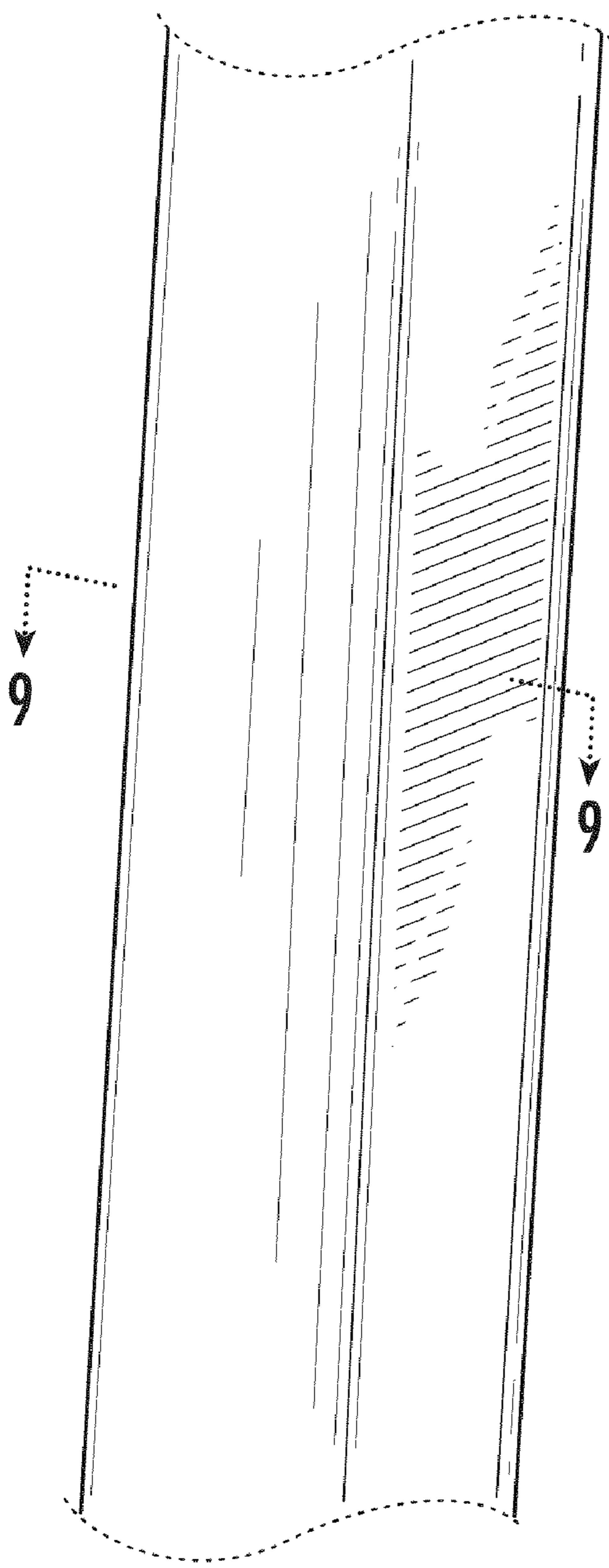


**FIG. 6**

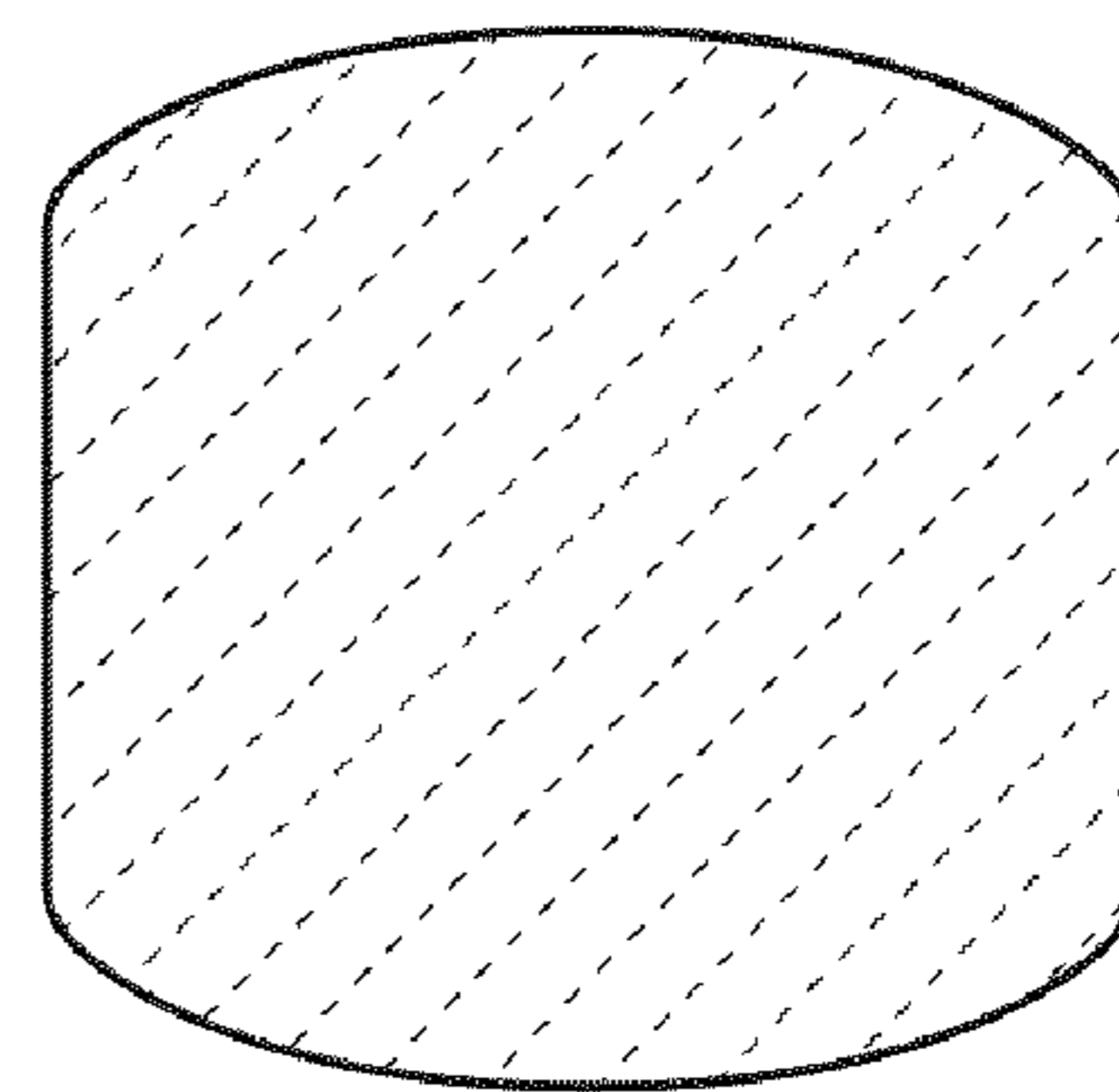




**FIG. 7**



**FIG. 8**



**FIG. 9**