



US00D646086S

(12) **United States Design Patent**
Hickman et al.

(10) **Patent No.:** **US D646,086 S**

(45) **Date of Patent:** **** Oct. 4, 2011**

(54) **SEAT**

(75) Inventors: **Jeff Hickman**, Concord, NC (US); **Eric C. Canonge**, Charlotte, NC (US)

(73) Assignee: **Husqvarna Consumer Outdoor Products N.A., Inc.**, Charlotte, NC (US)

(**) Term: **14 Years**

(21) Appl. No.: **29/355,200**

(22) Filed: **Feb. 4, 2010**

(51) **LOC (9) Cl.** **06-01**

(52) **U.S. Cl.** **D6/500; D6/375**

(58) **Field of Classification Search** D6/334-336,
D6/360, 364, 365, 371-373, 375, 379, 380,
D6/500-502; 297/183.1, 183.7, 239, 445.1,
297/448.1, 452.12, 452.14, 451.11

See application file for complete search history.

(56) **References Cited**

U.S. PATENT DOCUMENTS

D171,208 S * 12/1953 Jones D6/375
D171,210 S * 12/1953 Jones D6/375
D189,347 S * 11/1960 Chapman D6/375

D259,688 S * 6/1981 Ambasz D6/375
D274,771 S * 7/1984 Ambasz et al. D6/375
D367,982 S * 3/1996 Stirling et al. D6/500
D426,973 S * 6/2000 Risdall D6/375

* cited by examiner

Primary Examiner — Mimosa De

(74) *Attorney, Agent, or Firm* — Charles L. Moore; Moore & Van Allen PLLC

(57) **CLAIM**

The ornamental design for a seat, as shown and described.

DESCRIPTION

FIG. 1 is a perspective view of our new design for a seat.

FIG. 2 is a front elevation view of the seat.

FIG. 3 is a rear elevation view of the seat.

FIG. 4 is a left side elevation view of the seat.

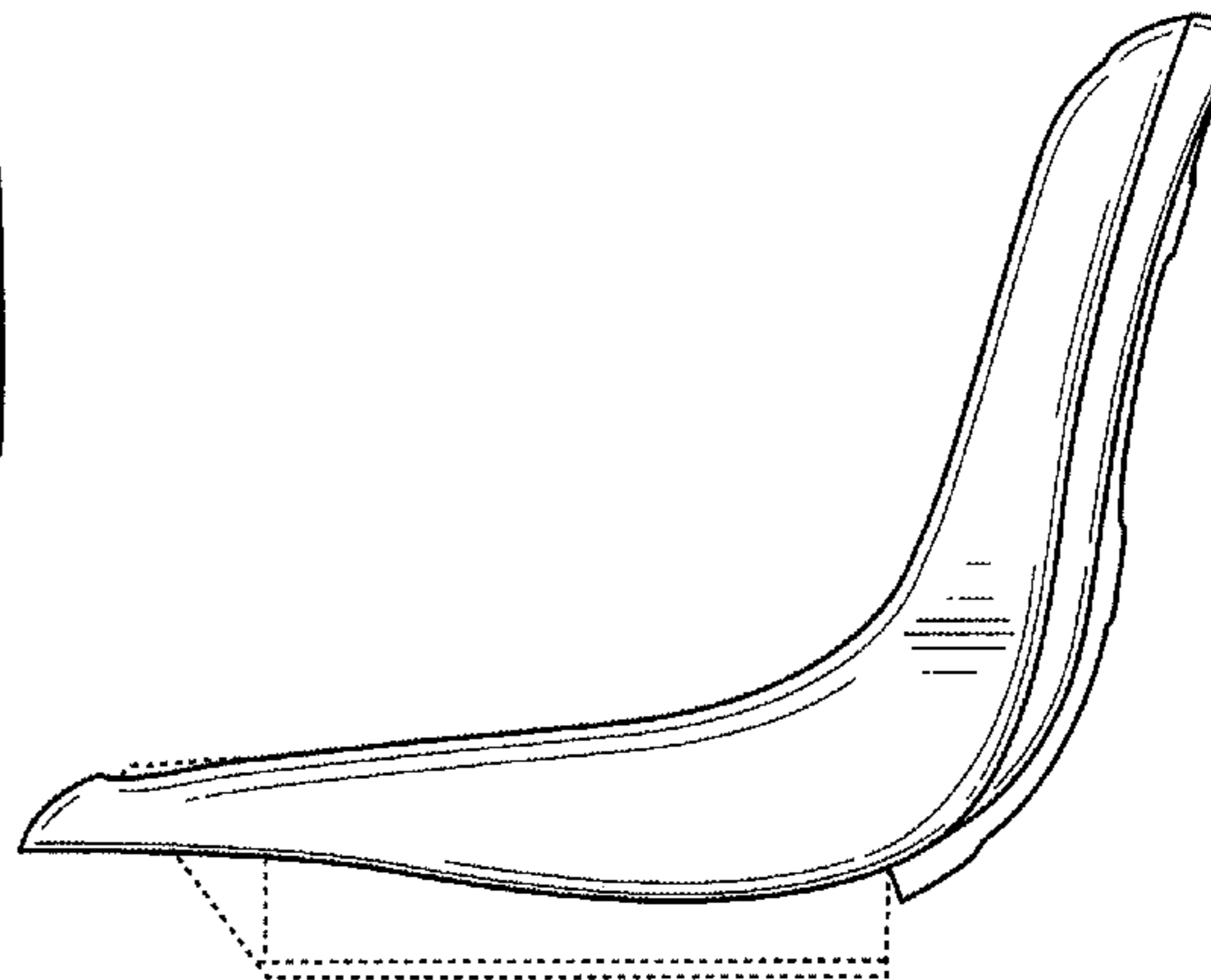
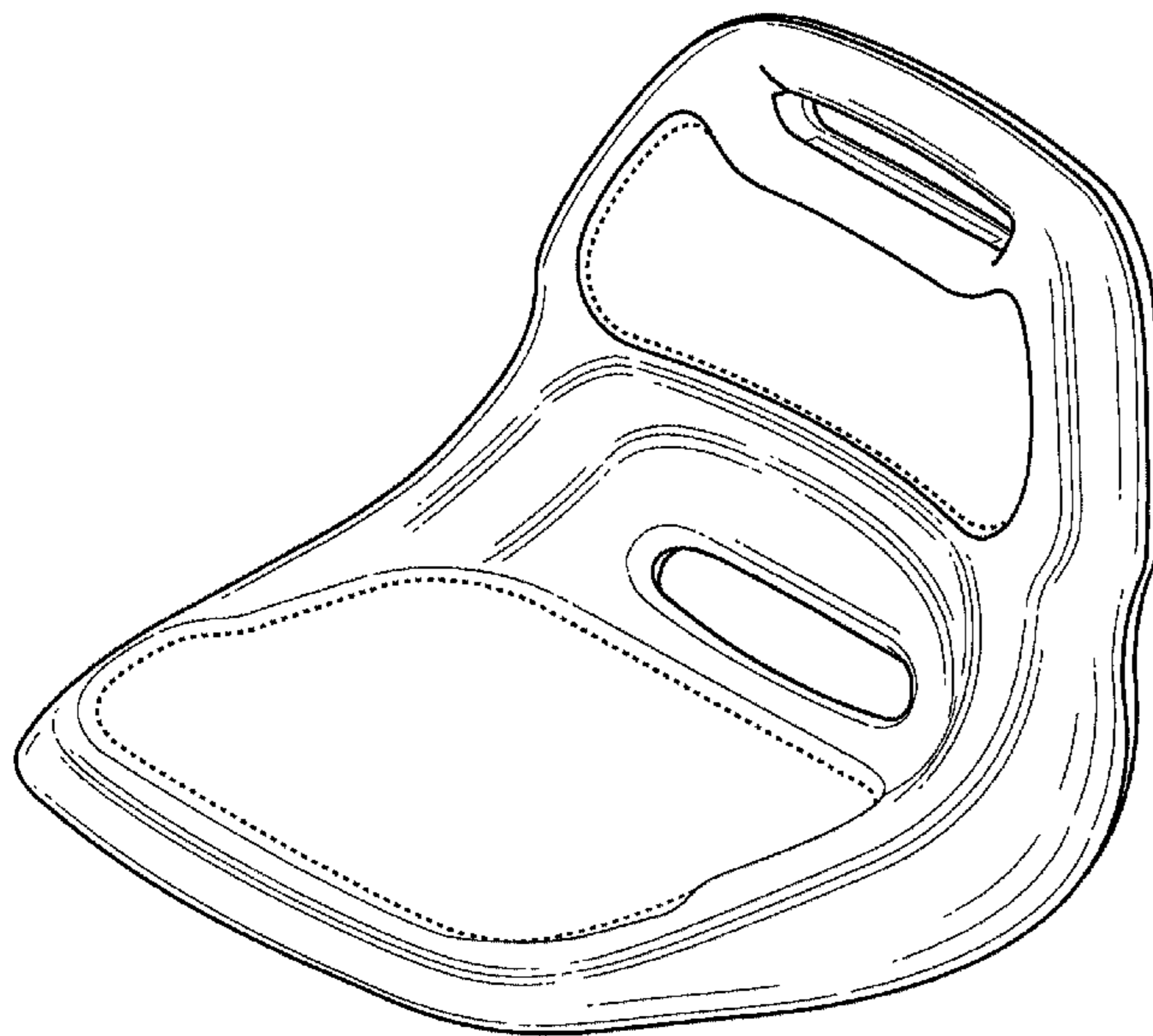
FIG. 5 is a right side elevation view of the seat.

FIG. 6 is a top plan view of the seat; and,

FIG. 7 is a bottom plan view of the seat.

The broken line portions of the drawings represent environmental structure only and do not form part of the claimed design.

1 Claim, 7 Drawing Sheets



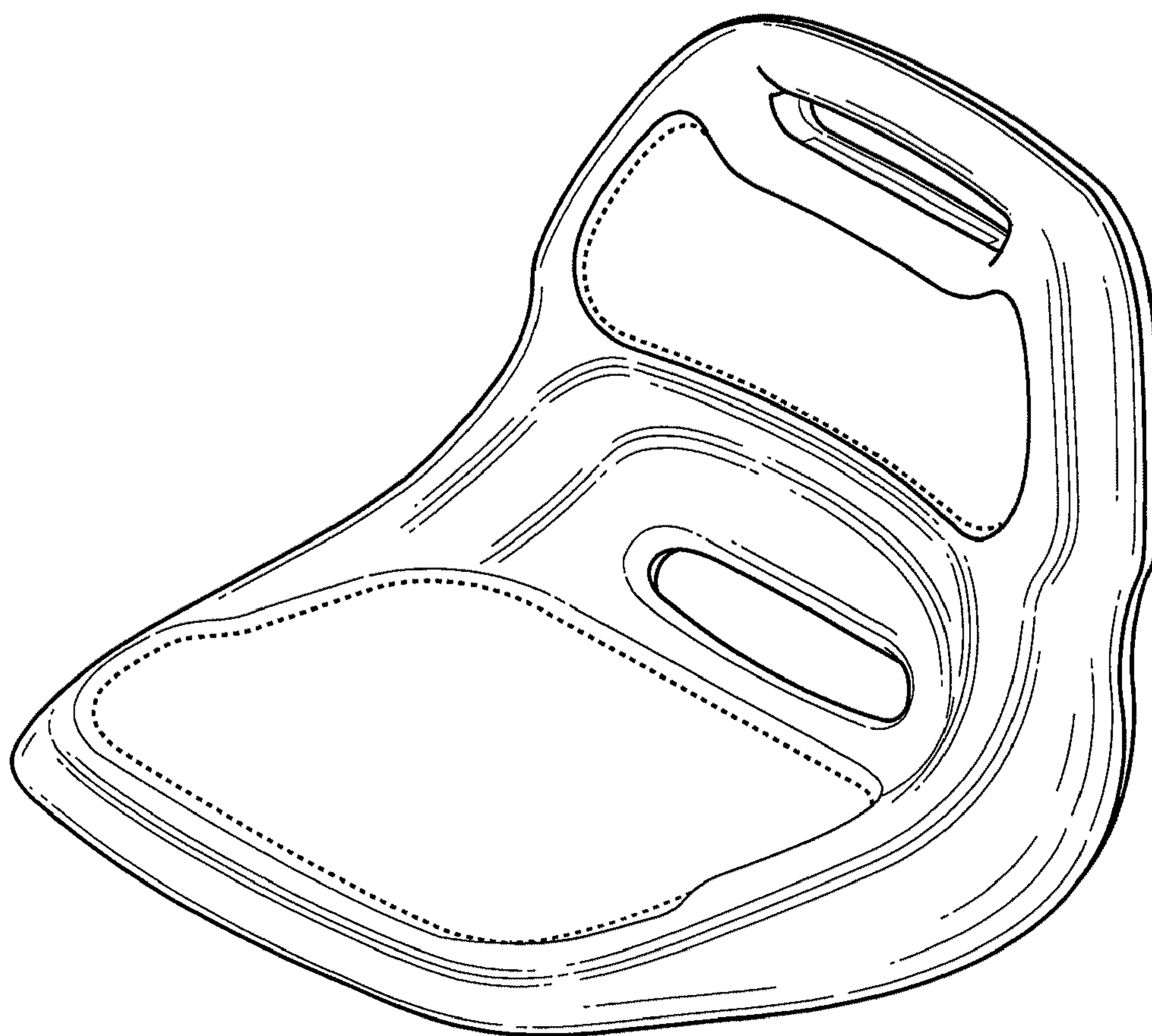


FIG. 1

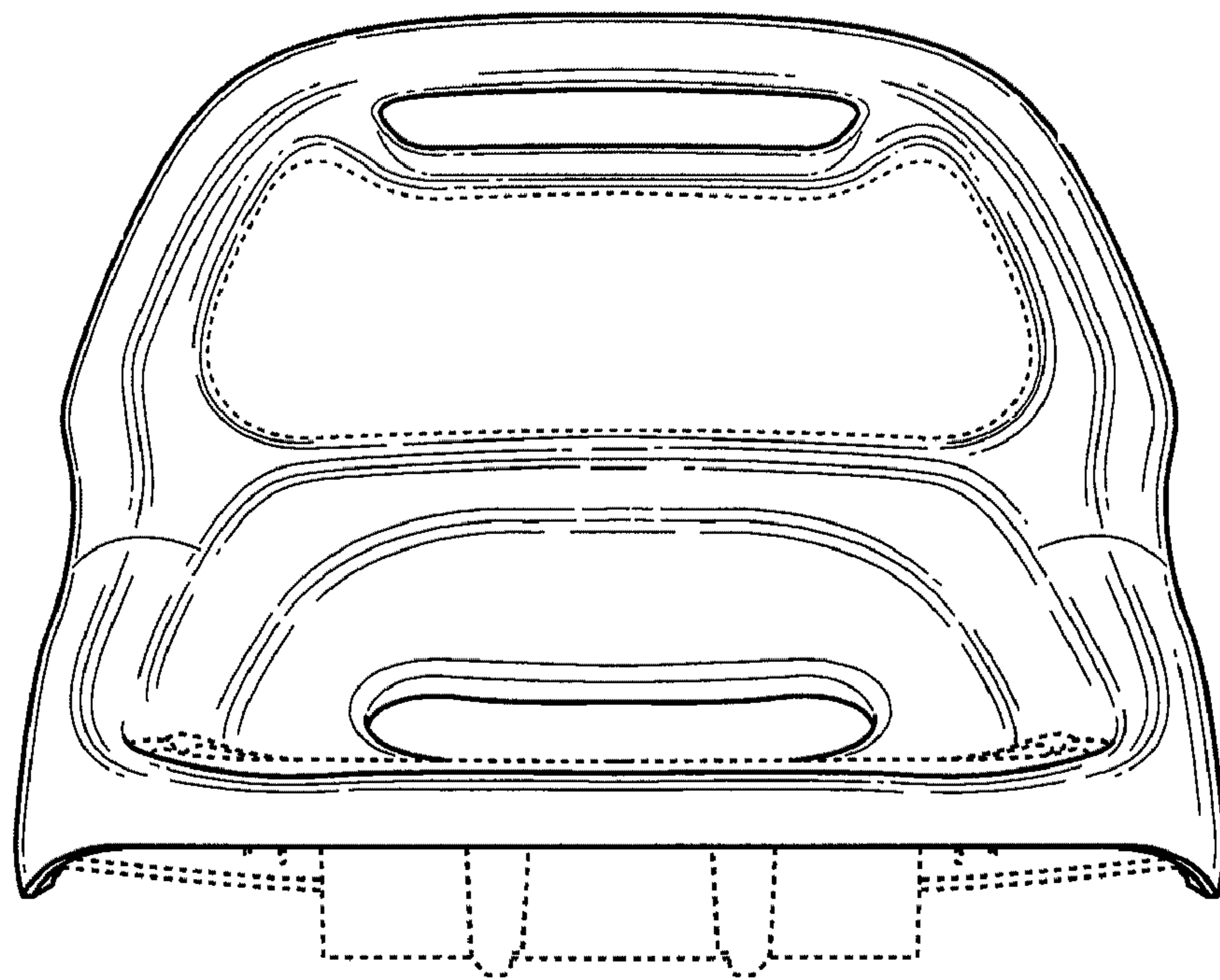


FIG. 2

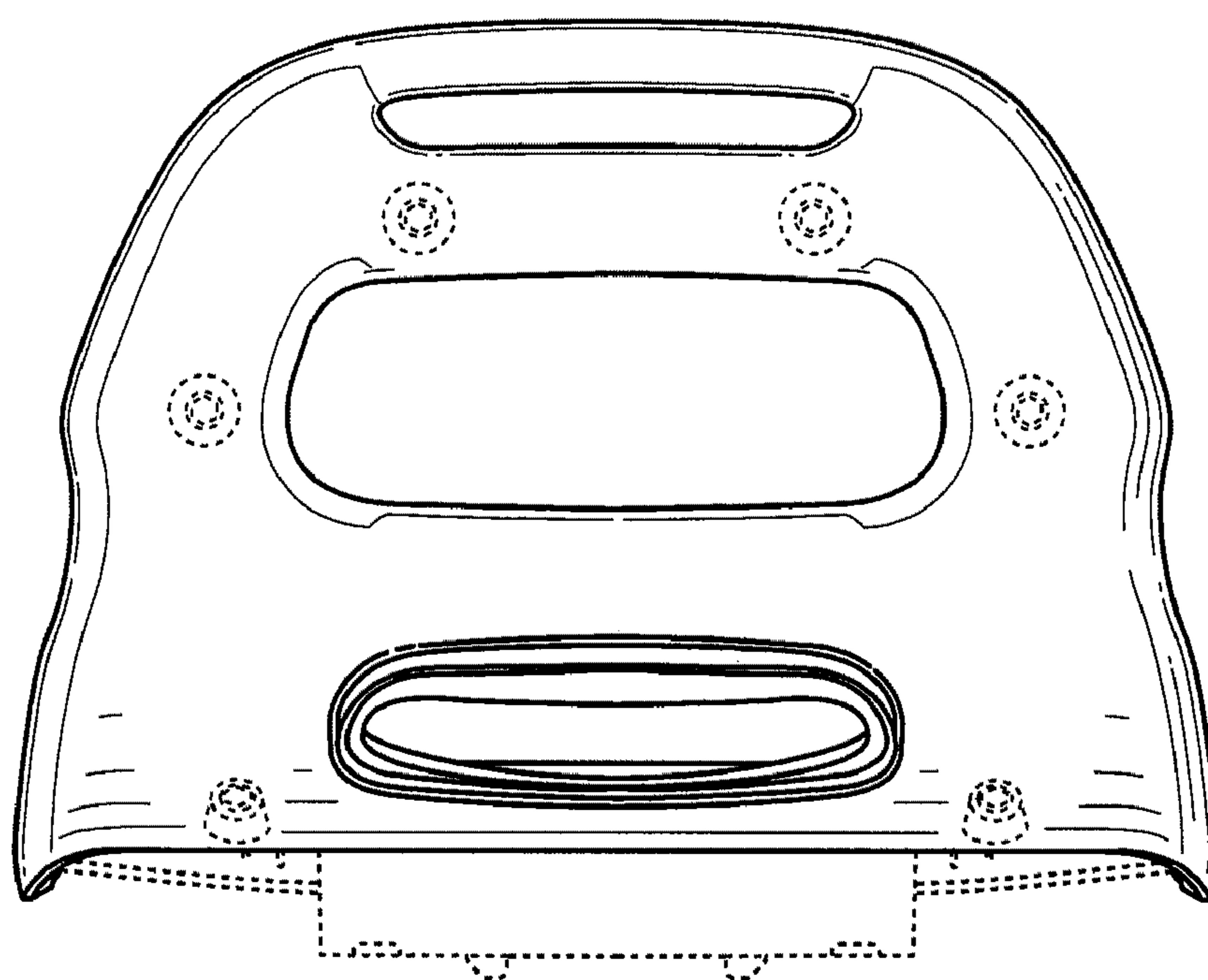


FIG. 3

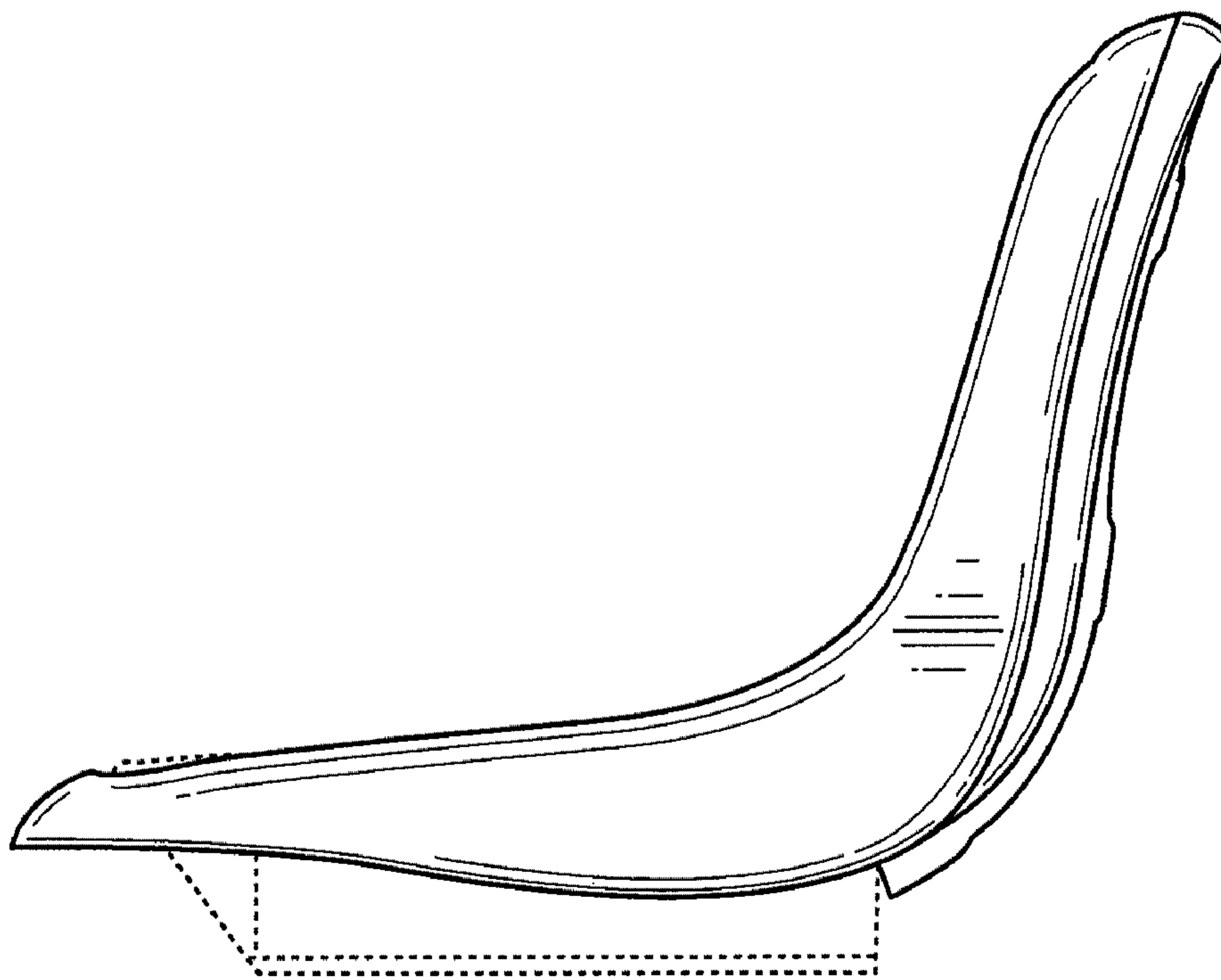


FIG. 4

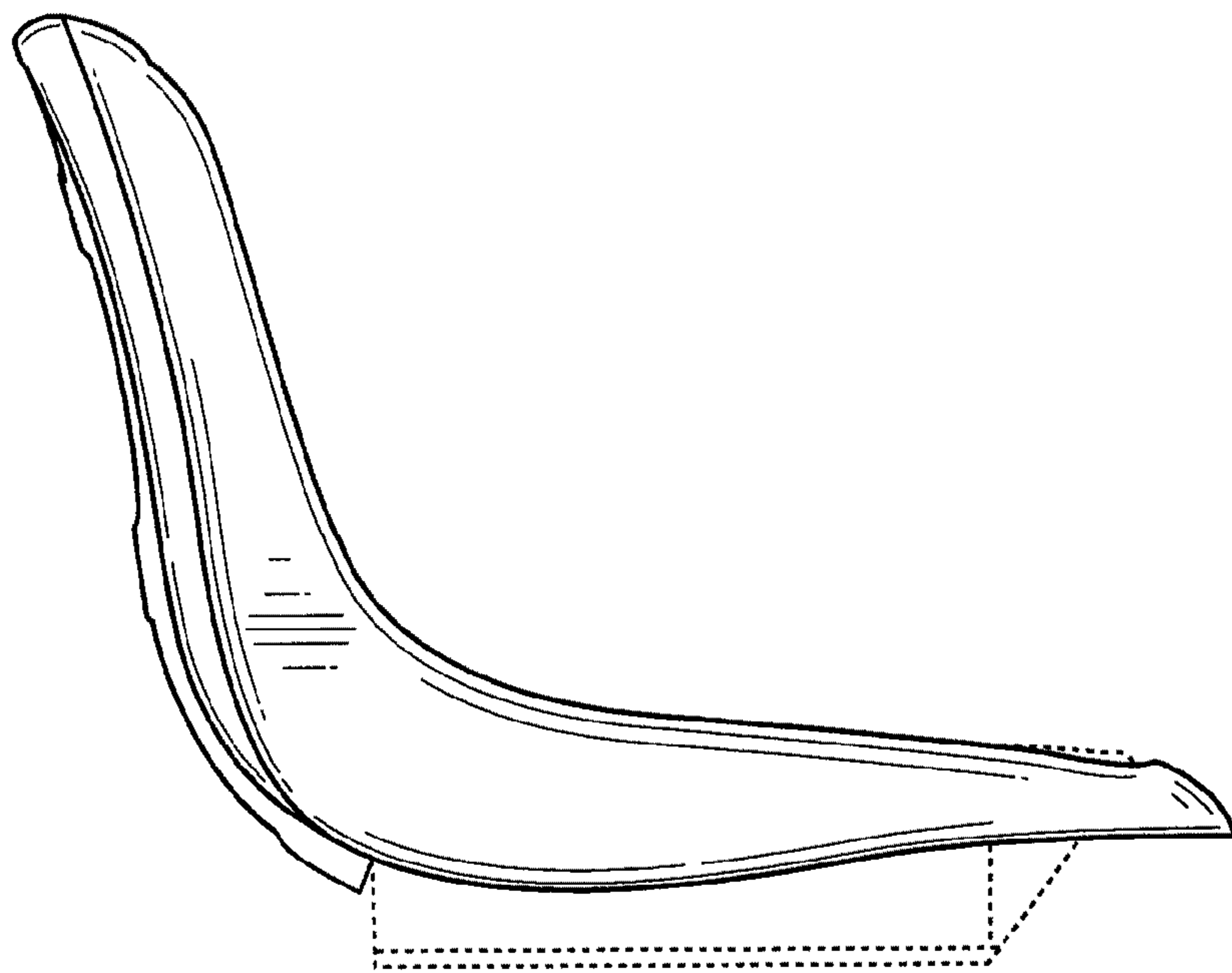


FIG. 5

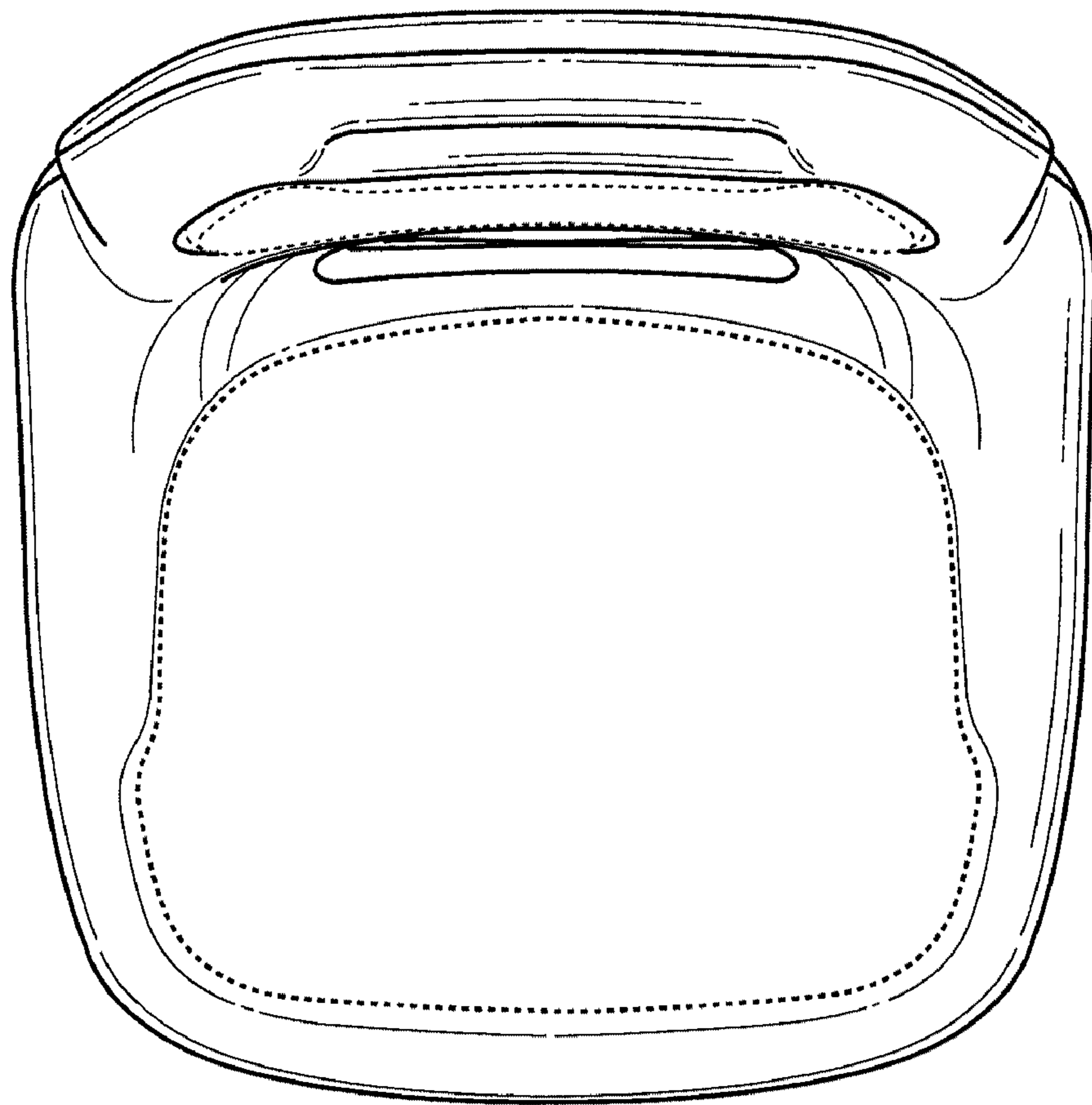


FIG. 6

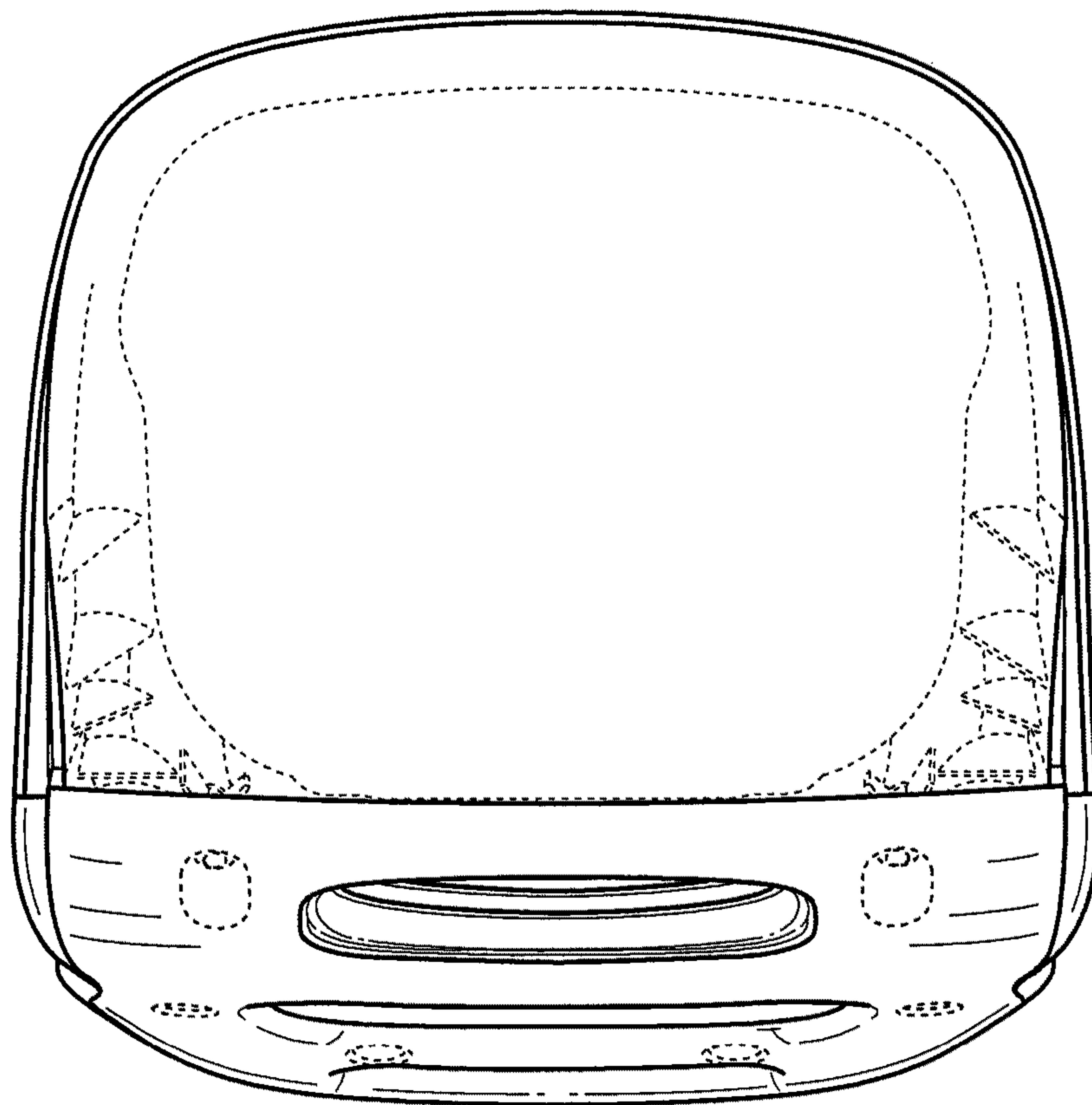


FIG. 7