



US00D646084S

(12) **United States Design Patent**
Lievore et al.

(10) **Patent No.:** **US D646,084 S**

(45) **Date of Patent:** **** Oct. 4, 2011**

(54) **ARMCHAIR**

(75) Inventors: **Alberto Lievore**, Barcelona (ES);
Jeannette Altherr, Barcelona (ES);
Manel Molina, Barcelona (ES)

(73) Assignee: **Poltrona Frau S.p.A.**, Turin (IT)

(**) Term: **14 Years**

(21) Appl. No.: **29/311,561**

(22) Filed: **Apr. 20, 2009**

(30) **Foreign Application Priority Data**

Mar. 3, 2009 (EM) 001097836

(51) **LOC (9) Cl.** **06-01**

(52) **U.S. Cl.** **D6/500**

(58) **Field of Classification Search** D6/334-336,
D6/365-368, 374, 500-502; 297/411.21,
297/411.28, 411.27, 411.45, 411.46, 452.21,
297/452.29, 452.35, 271.2, 281, 287, 411.44
See application file for complete search history.

(56) **References Cited**

U.S. PATENT DOCUMENTS

D204,374 S *	4/1966	Bergstrom	D6/364
D327,585 S *	7/1992	Hollington	D6/366
D330,810 S *	11/1992	Stafford	D6/366
D348,786 S *	7/1994	Tolleson et al.	D6/366
D401,428 S *	11/1998	Kaczmarek	D6/366
D402,480 S *	12/1998	Stafford	D6/366
D403,519 S *	1/1999	Stafford	D6/366

D408,162 S *	4/1999	Olson et al.	D6/366
D466,313 S *	12/2002	Hutton	D6/334
D468,122 S *	1/2003	Schweikarth et al.	D6/366
D540,572 S *	4/2007	Fanning	D6/500
D543,716 S *	6/2007	Votteler et al.	D6/366
D560,918 S *	2/2008	Fuksas	D6/366
D575,562 S *	8/2008	Loudon	D6/500
D587,916 S *	3/2009	Bouroullec et al.	D6/366
D589,271 S *	3/2009	Neil	D6/366
D602,273 S *	10/2009	Starzewski	D6/366
D608,557 S *	1/2010	Maeyama	D6/366
D609,482 S *	2/2010	Englisch et al.	D6/366
D611,738 S *	3/2010	Kubryk	D6/500

* cited by examiner

Primary Examiner — Elizabeth Albert

Assistant Examiner — Kelley Donnelly

(74) *Attorney, Agent, or Firm* — Nixon & Vanderhye P.C.

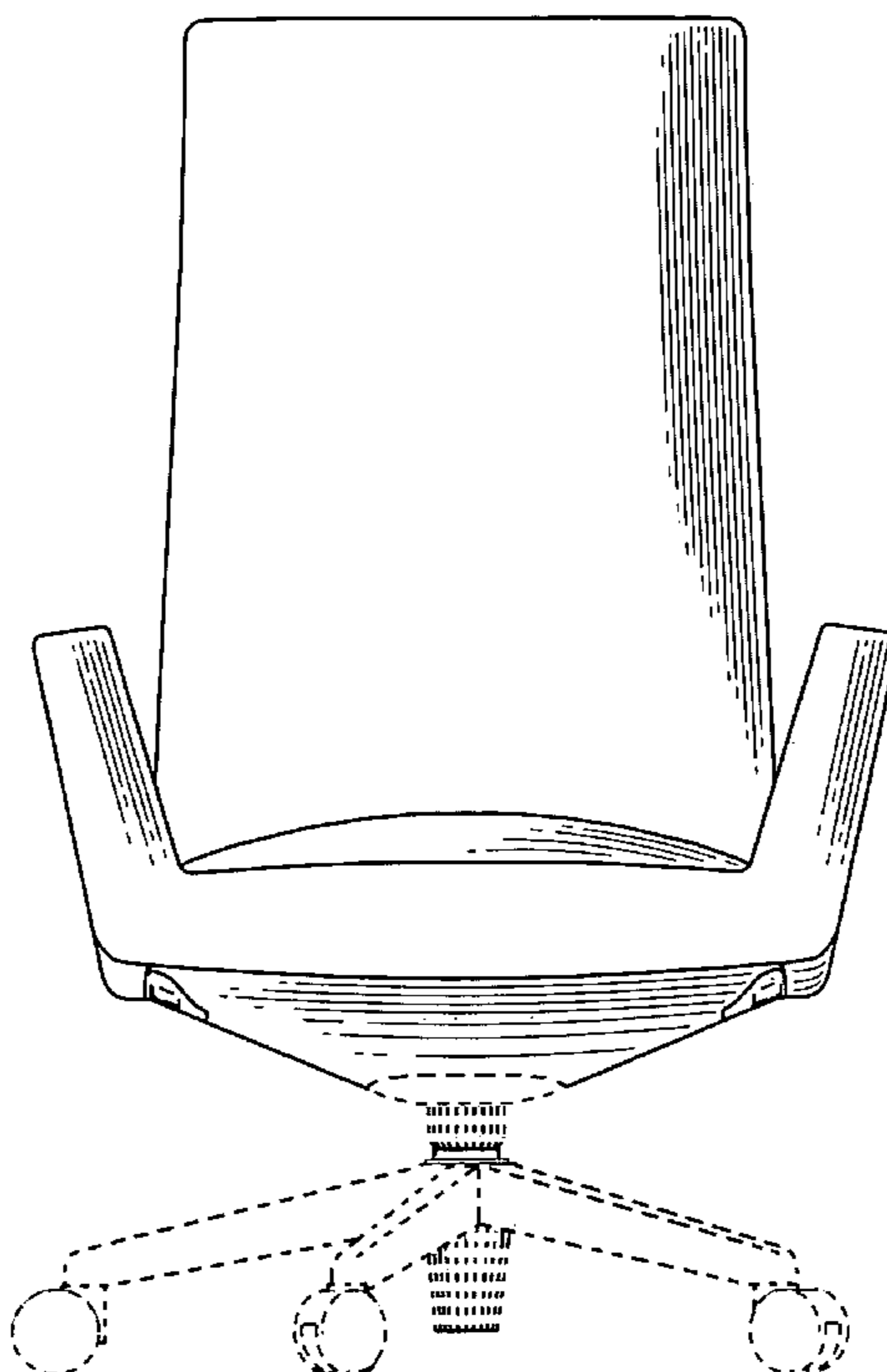
(57) **CLAIM**

An ornamental design for an armchair, as shown and described.

DESCRIPTION

FIG. 1 is a front elevational view of an armchair;
FIG. 2 is a rear elevational view thereof;
FIG. 3 is a left elevational view thereof;
FIG. 4 is a right elevational view thereof;
FIG. 5 is a bottom plan view thereof;
FIG. 6 is a top plan view thereof; and,
FIG. 7 is a front, left, top perspective view thereof.
The broken lines showing in FIGS. 1-7 are included for the purpose of illustrating environment and forms no part of the claimed design.

1 Claim, 7 Drawing Sheets



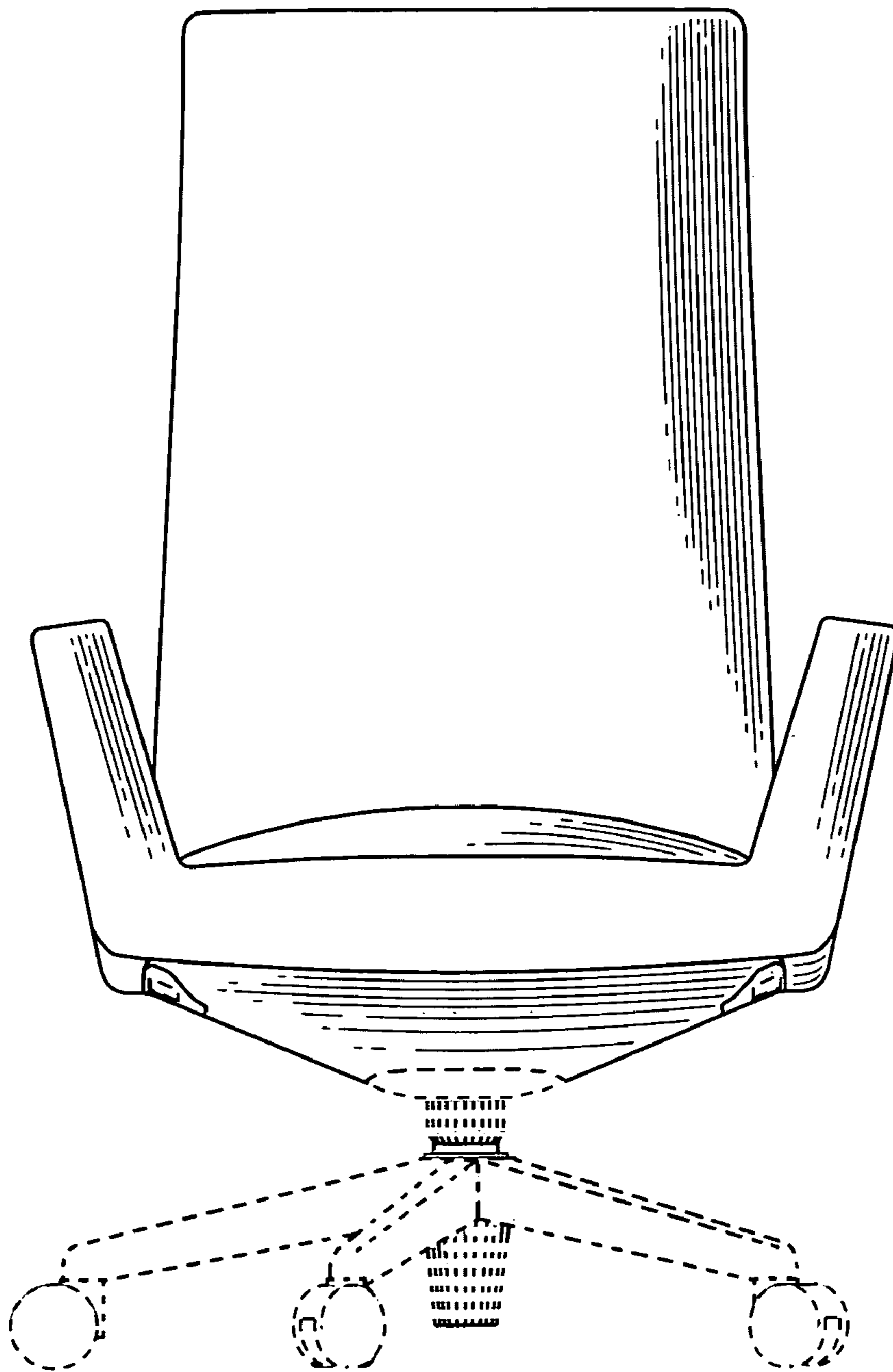


FIG. 1

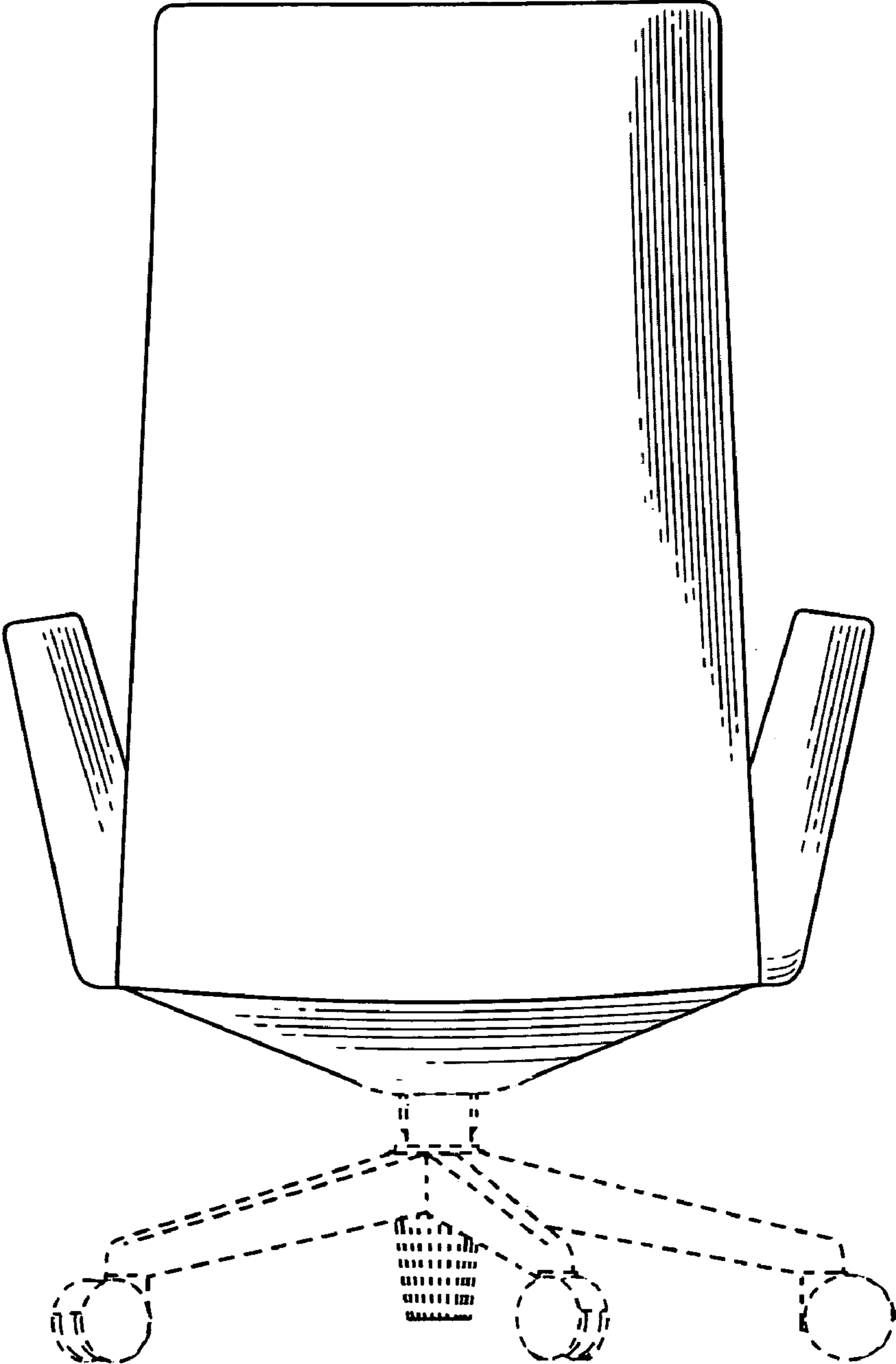


FIG. 2

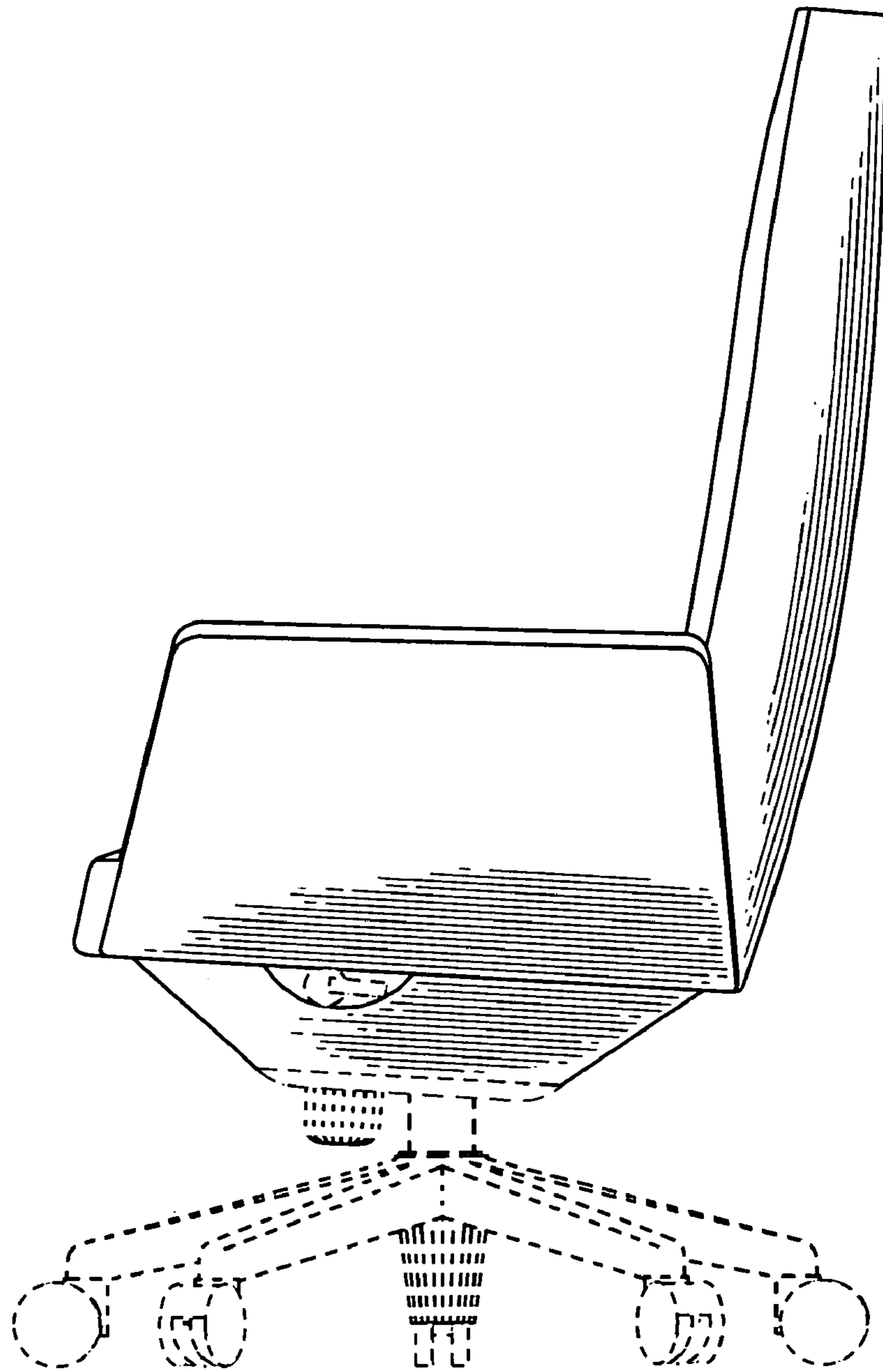


FIG. 3

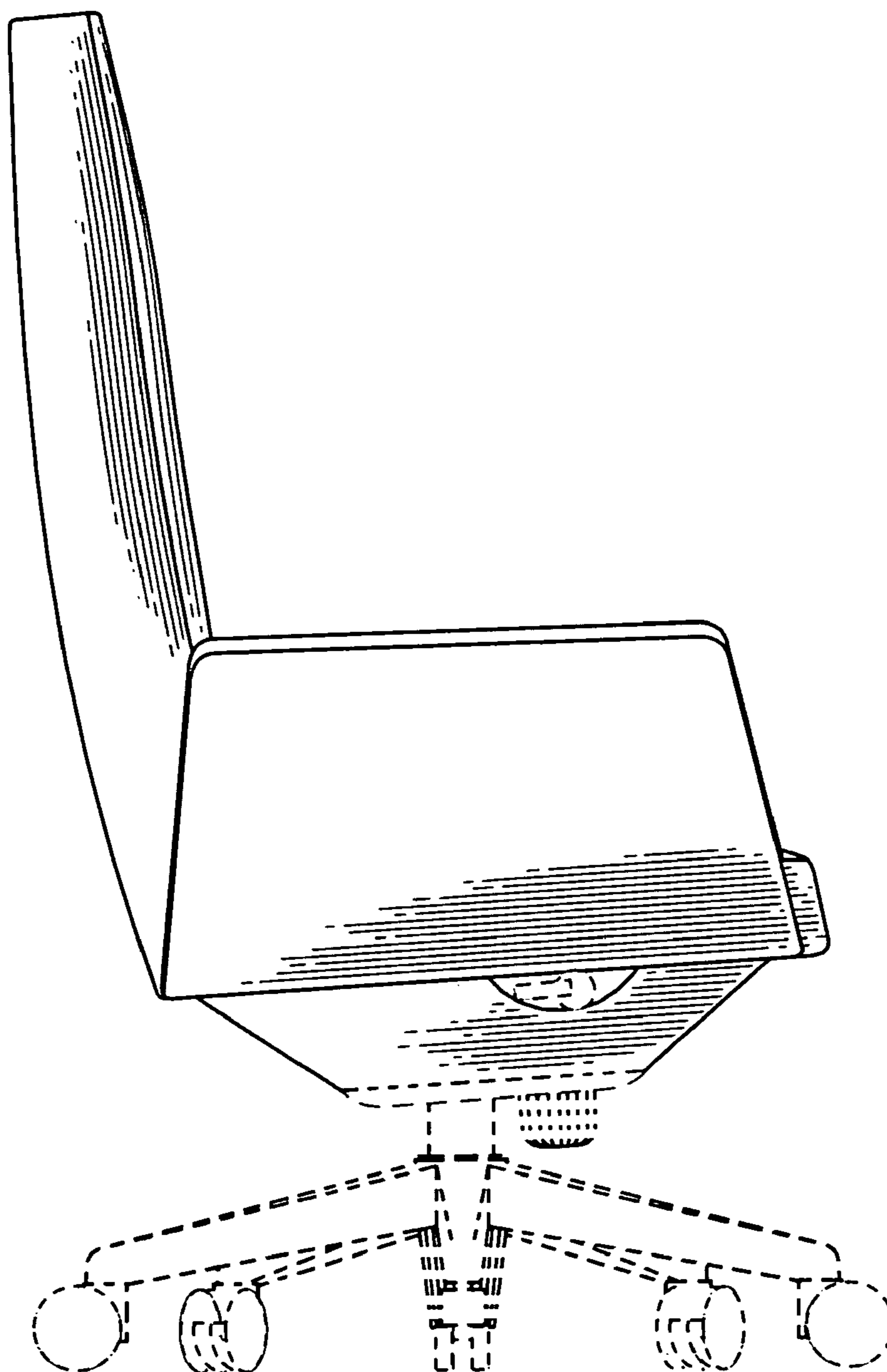


FIG. 4

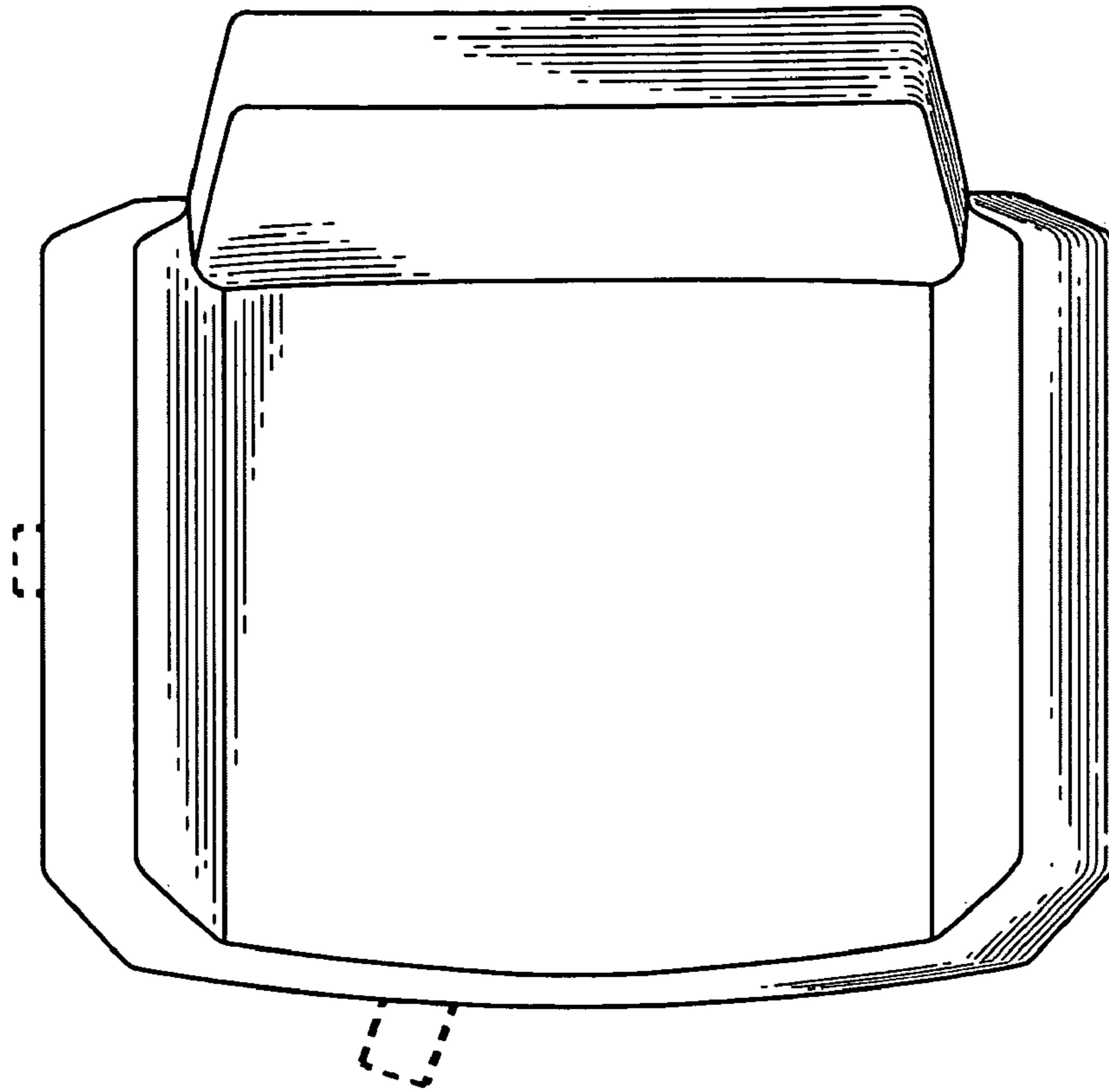


FIG. 5

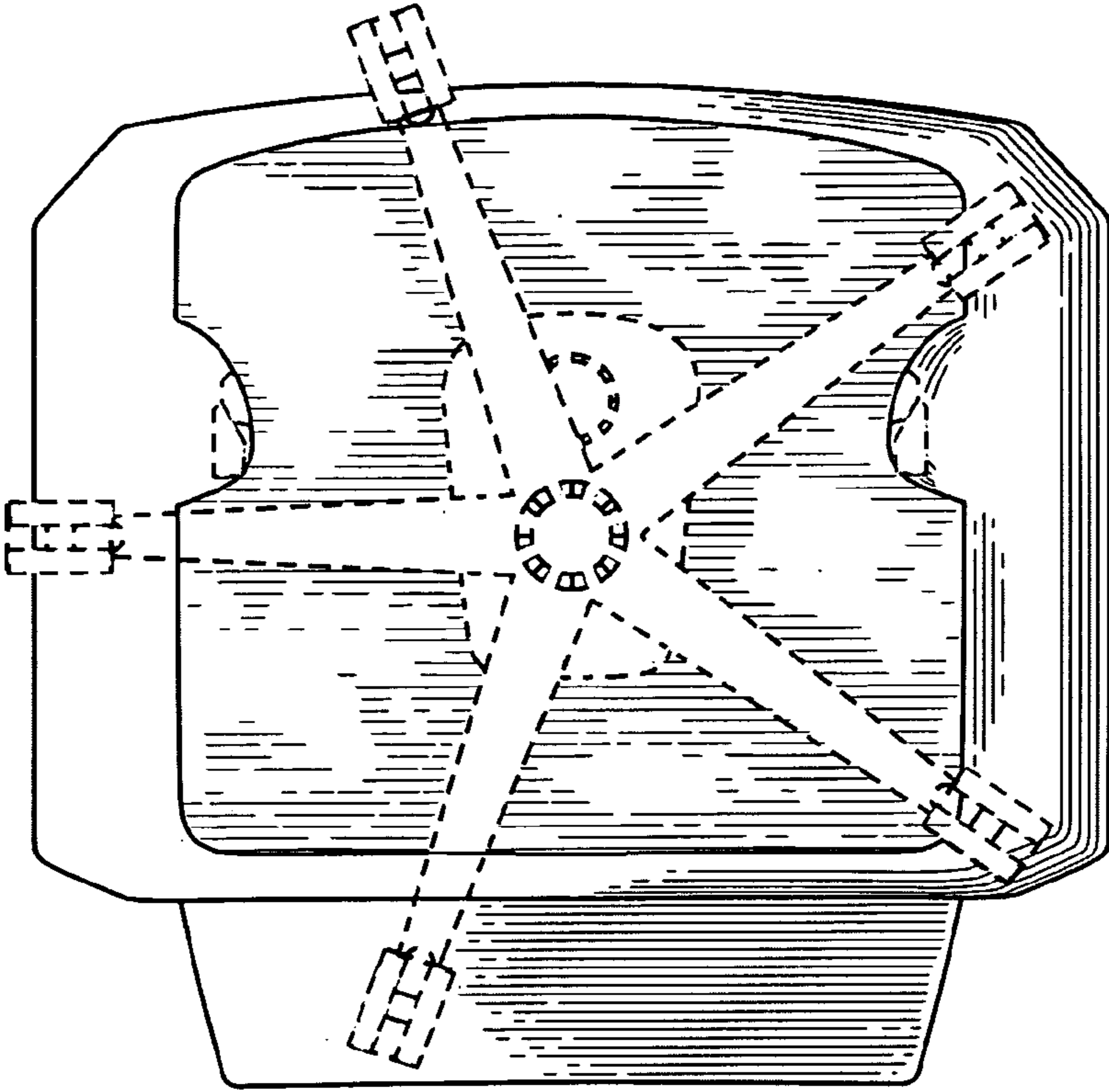


FIG. 6

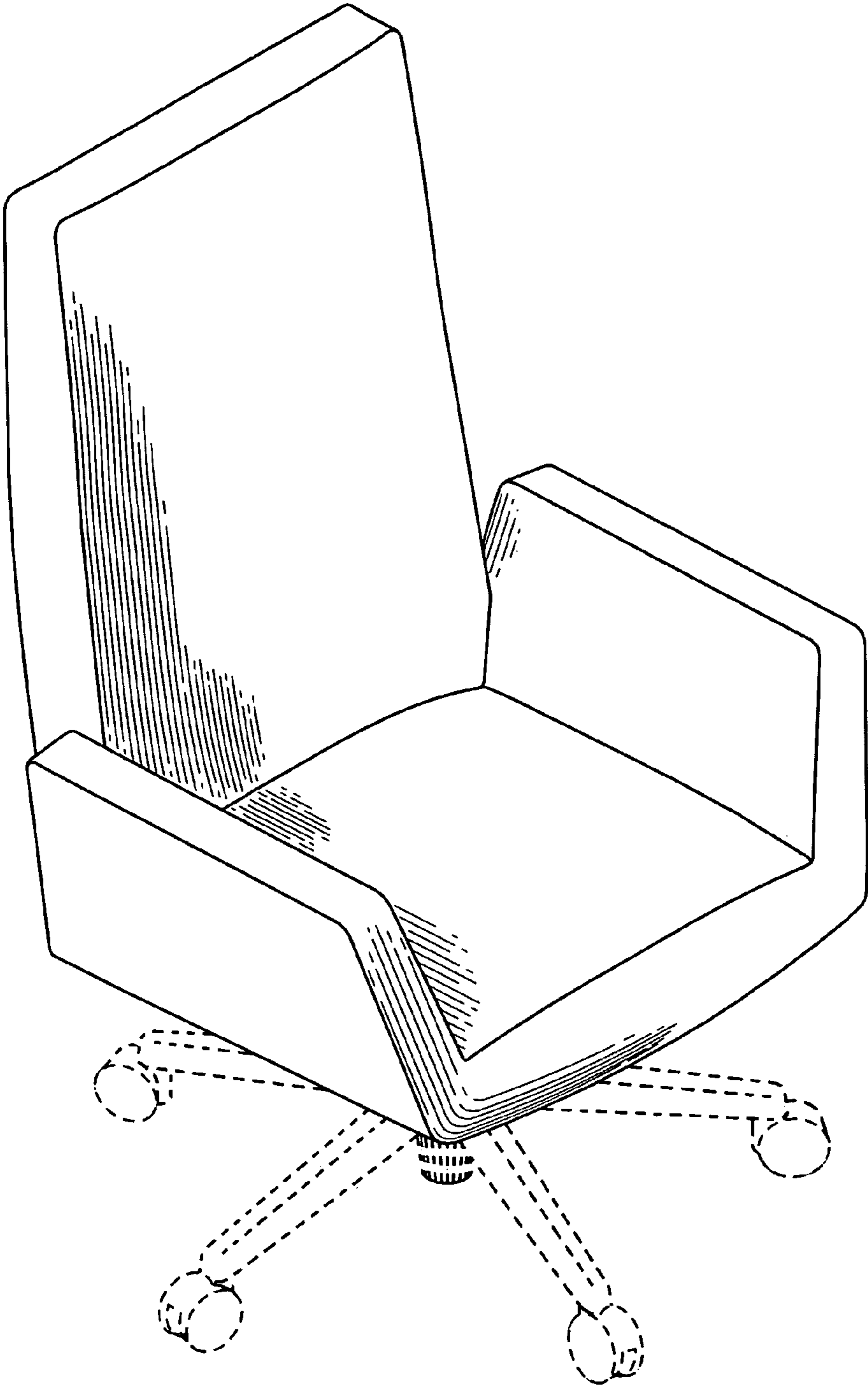


FIG. 7