

US00D646082S

(12) **United States Design Patent**  
**Tran**

(10) **Patent No.:** **US D646,082 S**

(45) **Date of Patent:** **\*\* Oct. 4, 2011**

(54) **PEDICURE SPA BASE**

(75) Inventor: **Minh Sang Tran**, Cambridge (CA)

(73) Assignee: **Gulfstream Inc.**, Cambridge, Ontario (CA)

(\*\*) Term: **14 Years**

(21) Appl. No.: **29/379,290**

(22) Filed: **Nov. 17, 2010**

(51) **LOC (9) Cl.** ..... **06-01**

(52) **U.S. Cl.** ..... **D6/495**

(58) **Field of Classification Search** ..... D6/330,  
D6/335-338, 349, 353, 380, 381, 500-502,  
D6/495; 297/118, 140, 245, 300.1, 311,  
297/353, 354.1, 445.1, 446.1, 446.2, 447.4,  
297/465, 900, DIG. 2, DIG. 7; D23/277,  
D23/289; D24/204; 5/12.1, 12.2

See application file for complete search history.

(56) **References Cited**

U.S. PATENT DOCUMENTS

D561,903 S *	2/2008	Ton	.....	D24/204
D569,135 S *	5/2008	Galati et al.	.....	D6/495
D583,171 S *	12/2008	Tran	.....	D6/500
D583,576 S *	12/2008	Tran	.....	D6/336
D585,142 S *	1/2009	Galati et al.	.....	D24/213
D589,155 S *	3/2009	Galati et al.	.....	D24/213
D589,285 S *	3/2009	Tran	.....	D6/495
D608,454 S *	1/2010	Mai et al.	.....	D24/213
D612,509 S *	3/2010	Tran	.....	D24/204

D615,326 S *	5/2010	Tran	.....	D6/495
D616,560 S *	5/2010	Cong	.....	D24/204
D616,561 S *	5/2010	Ton	.....	D24/204
D618,815 S *	6/2010	Dang	.....	D24/204
D623,428 S *	9/2010	Galati et al.	.....	D6/336
D626,360 S *	11/2010	Galati et al.	.....	D6/500

\* cited by examiner

*Primary Examiner* — Sandra Snapp

(74) *Attorney, Agent, or Firm* — Jones, Walker, Waechter, Poitevent, Carrere & Denegre, LLP

(57) **CLAIM**

The ornamental design for a pedicure spa base, as shown and described.

**DESCRIPTION**

FIG. 1 is a prospective front-side view of the pedicure spa base.

FIG. 2 is a perspective rear-side view of the pedicure spa base.

FIG. 3 is a left-side view of the pedicure spa base.

FIG. 4 is a right-side view of the pedicure spa base.

FIG. 5 is a top view of the pedicure spa base.

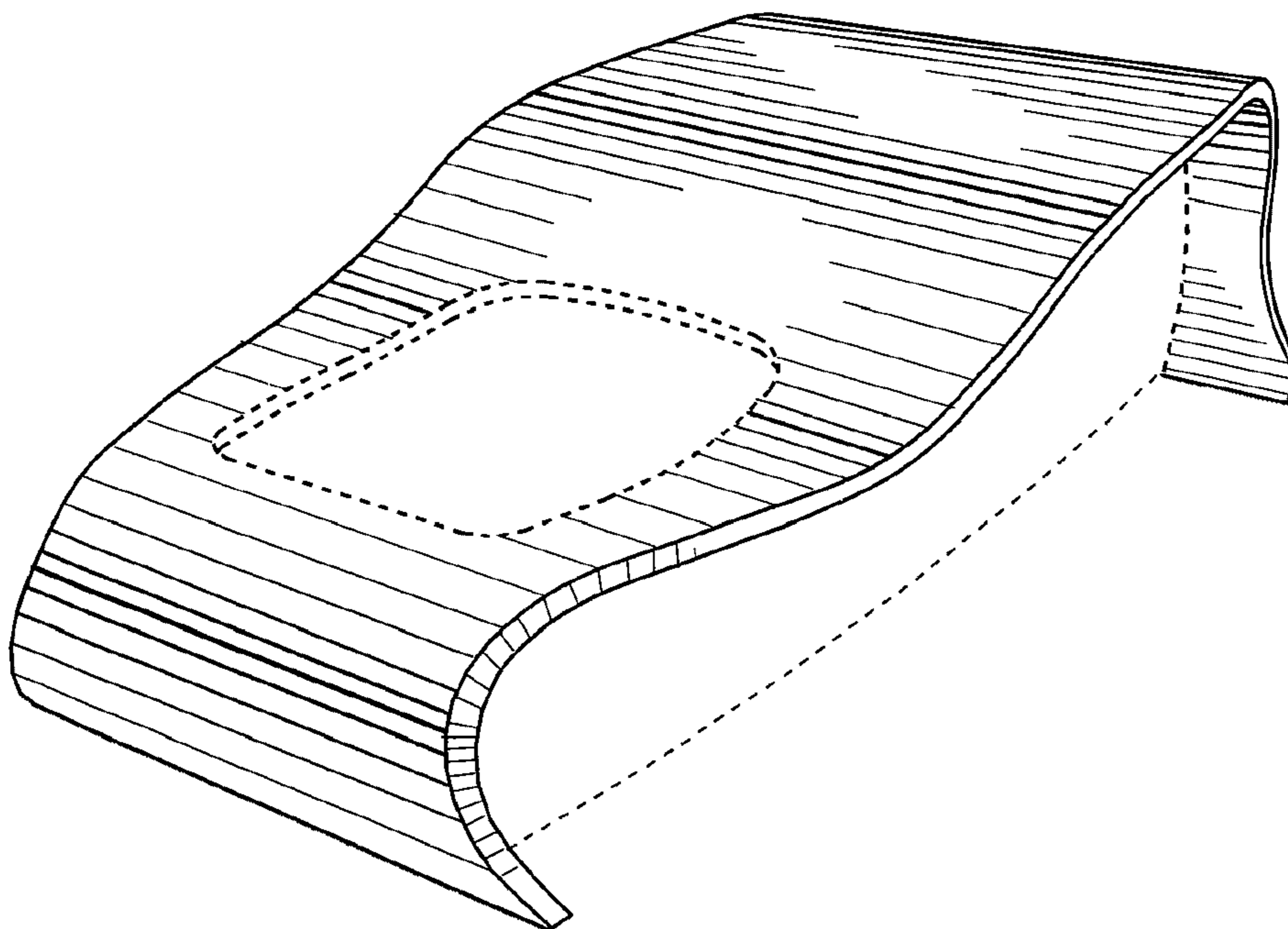
FIG. 6 is a front view of the pedicure spa base.

FIG. 7 is a rear view of the pedicure spa base; and,

FIG. 8 is a prospective top view of the pedicure spa base showing one location of the spa chair and spa basin.

The broken lines in the drawings are for illustrative purposes only and form no part of the claimed design.

**1 Claim, 6 Drawing Sheets**



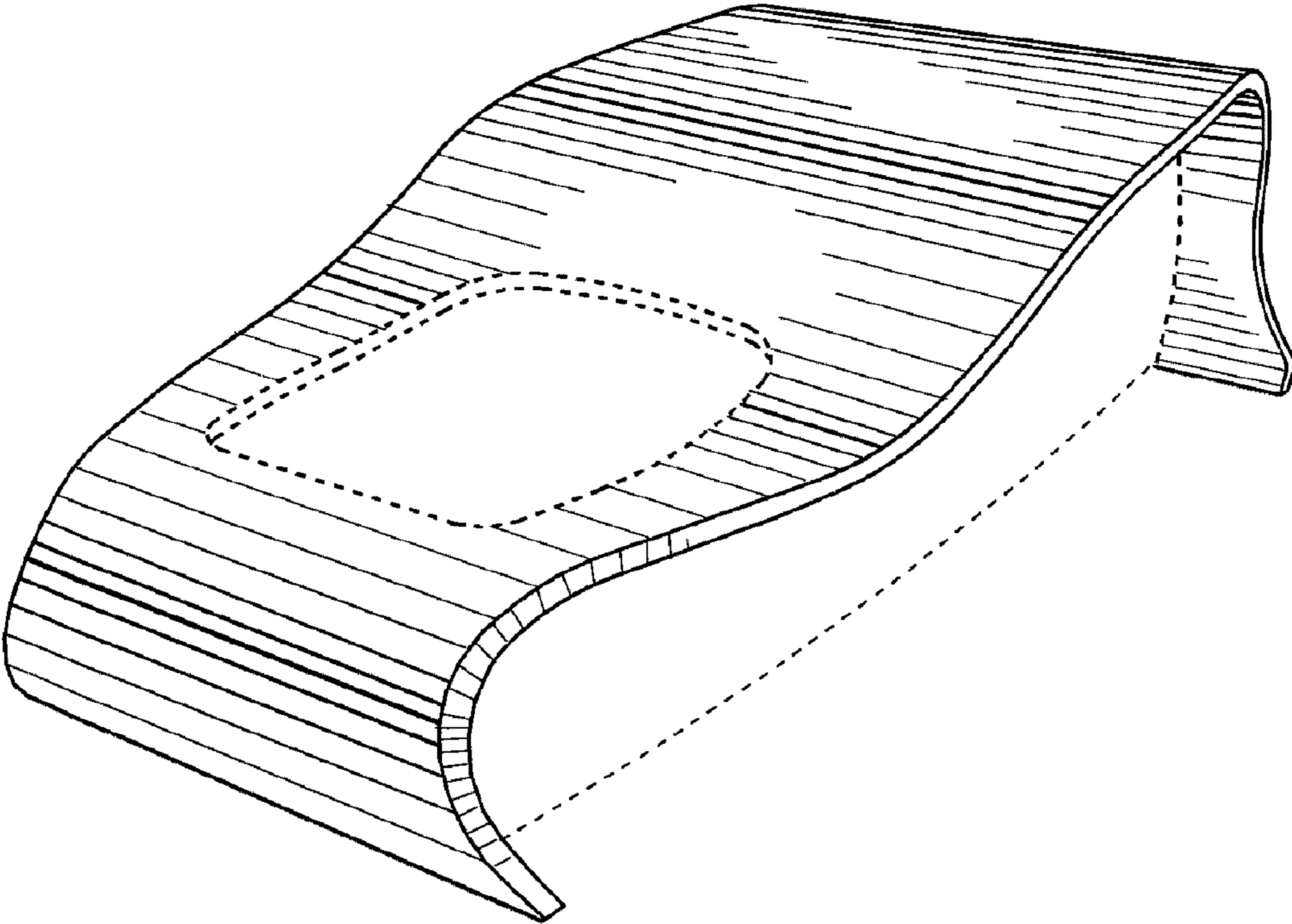


FIG. 1

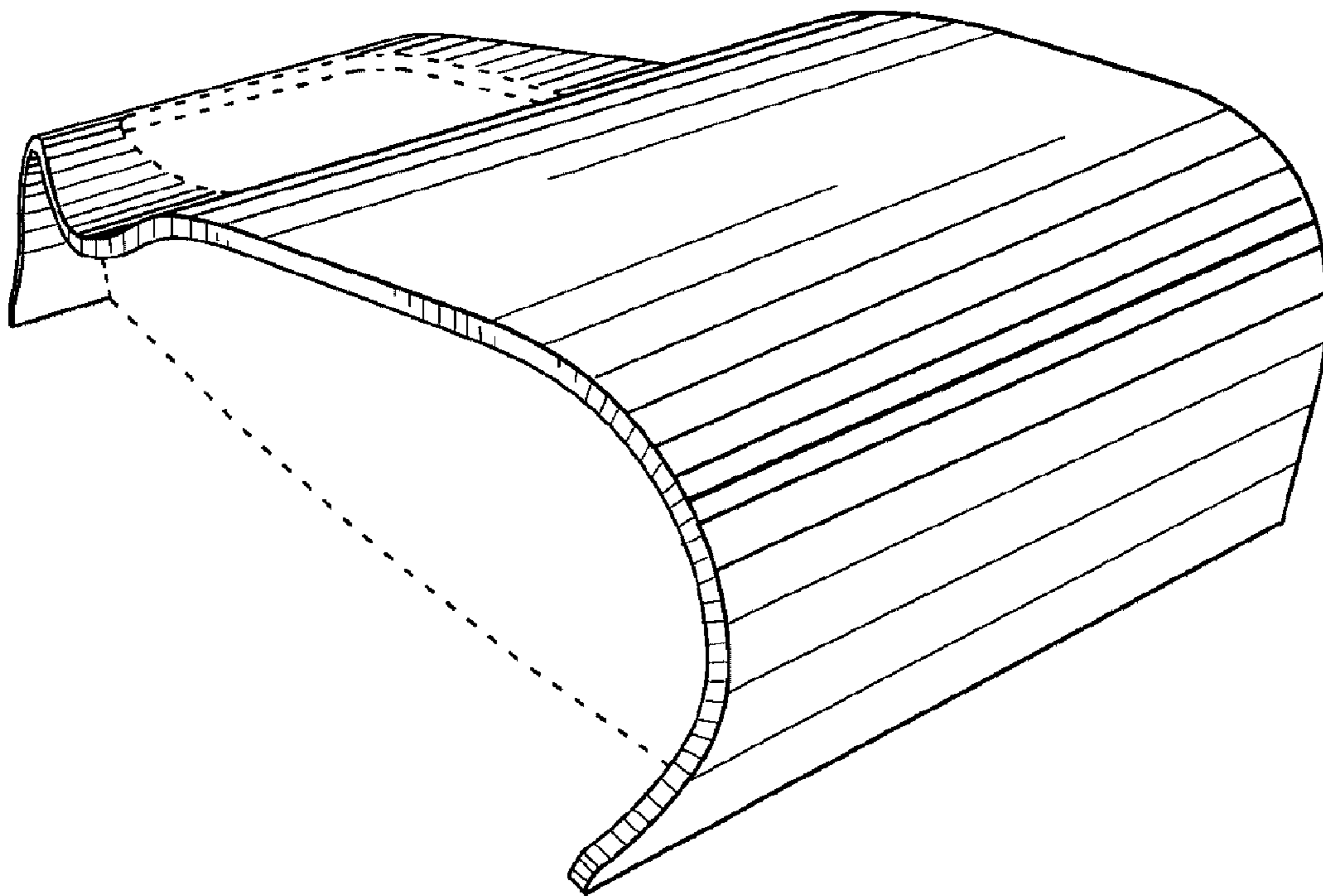


FIG.2

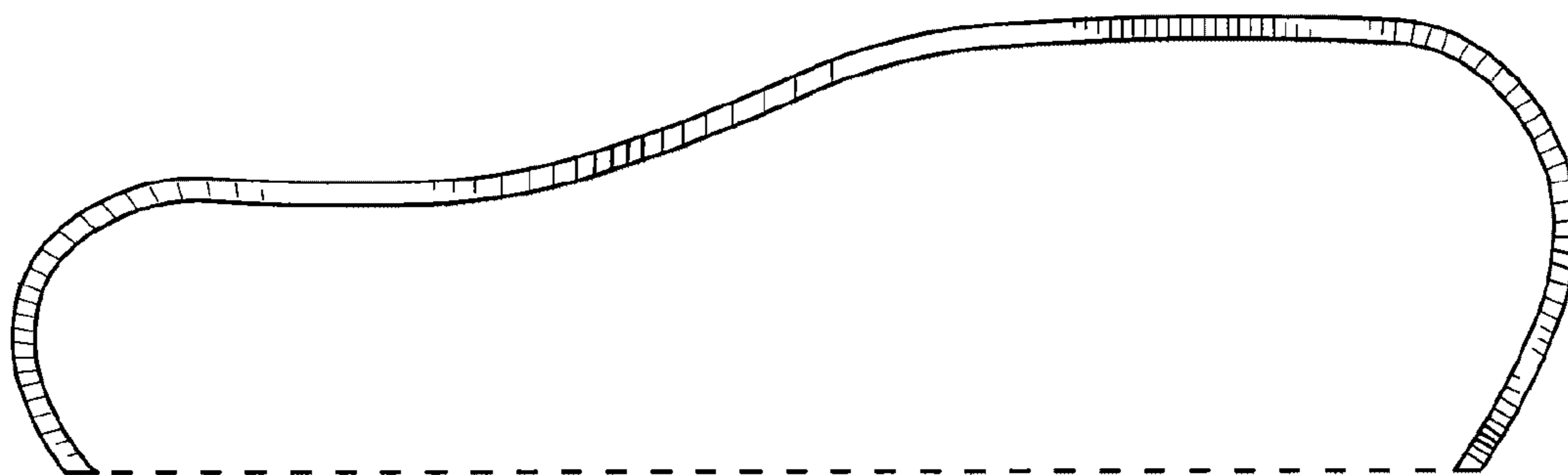


FIG.3

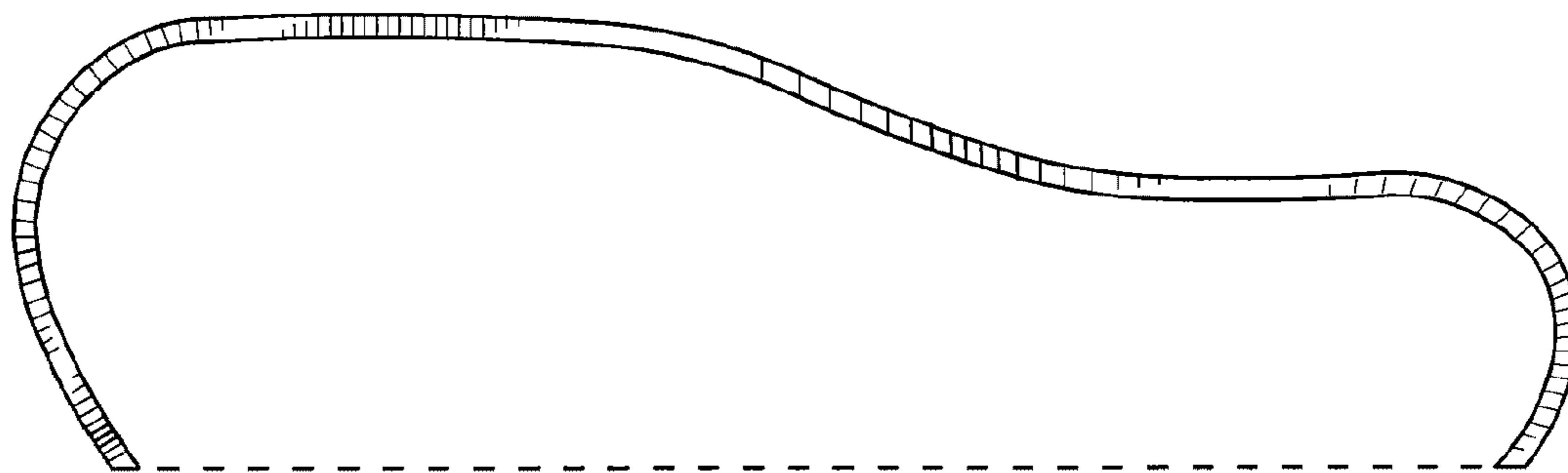


FIG.4

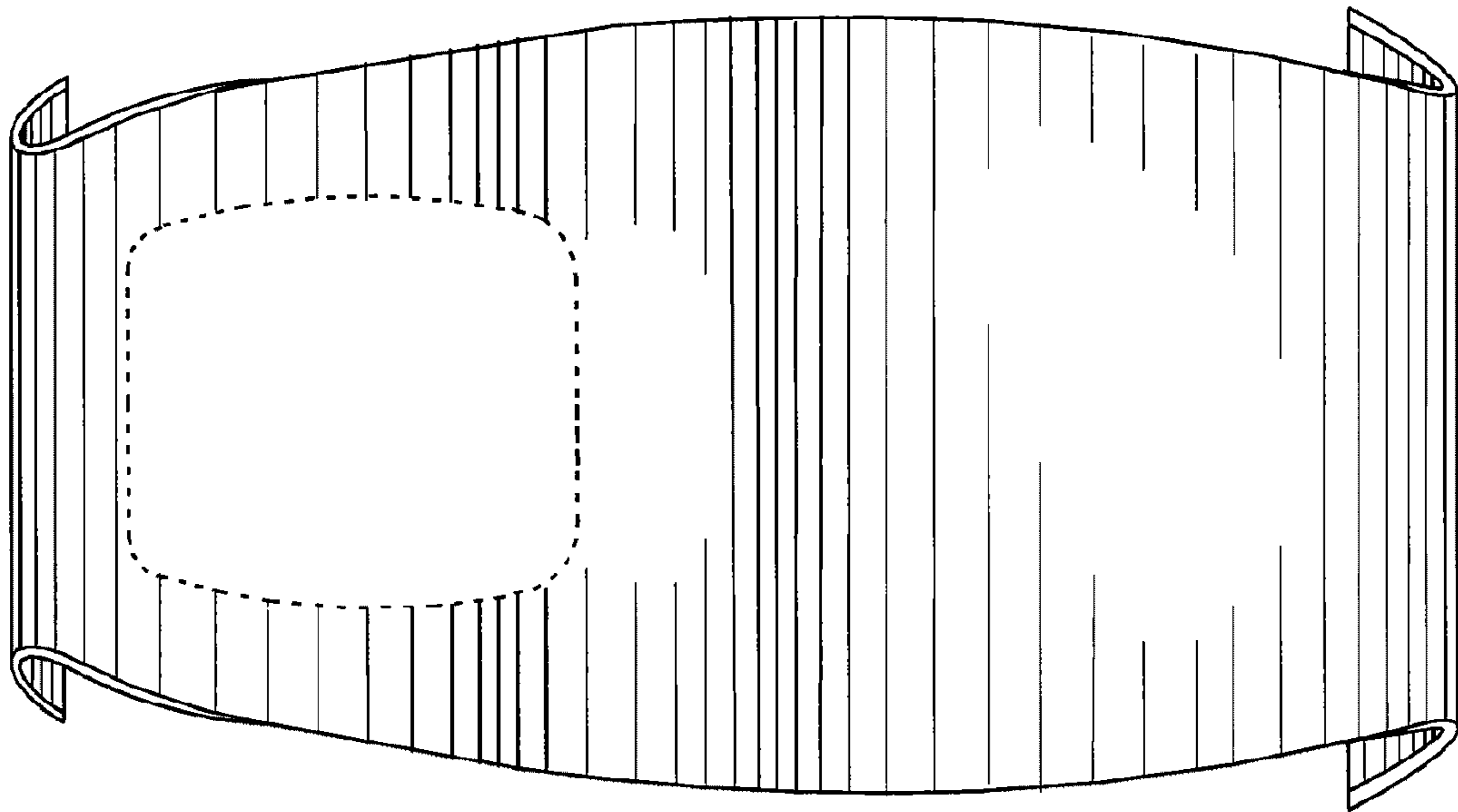


FIG.5

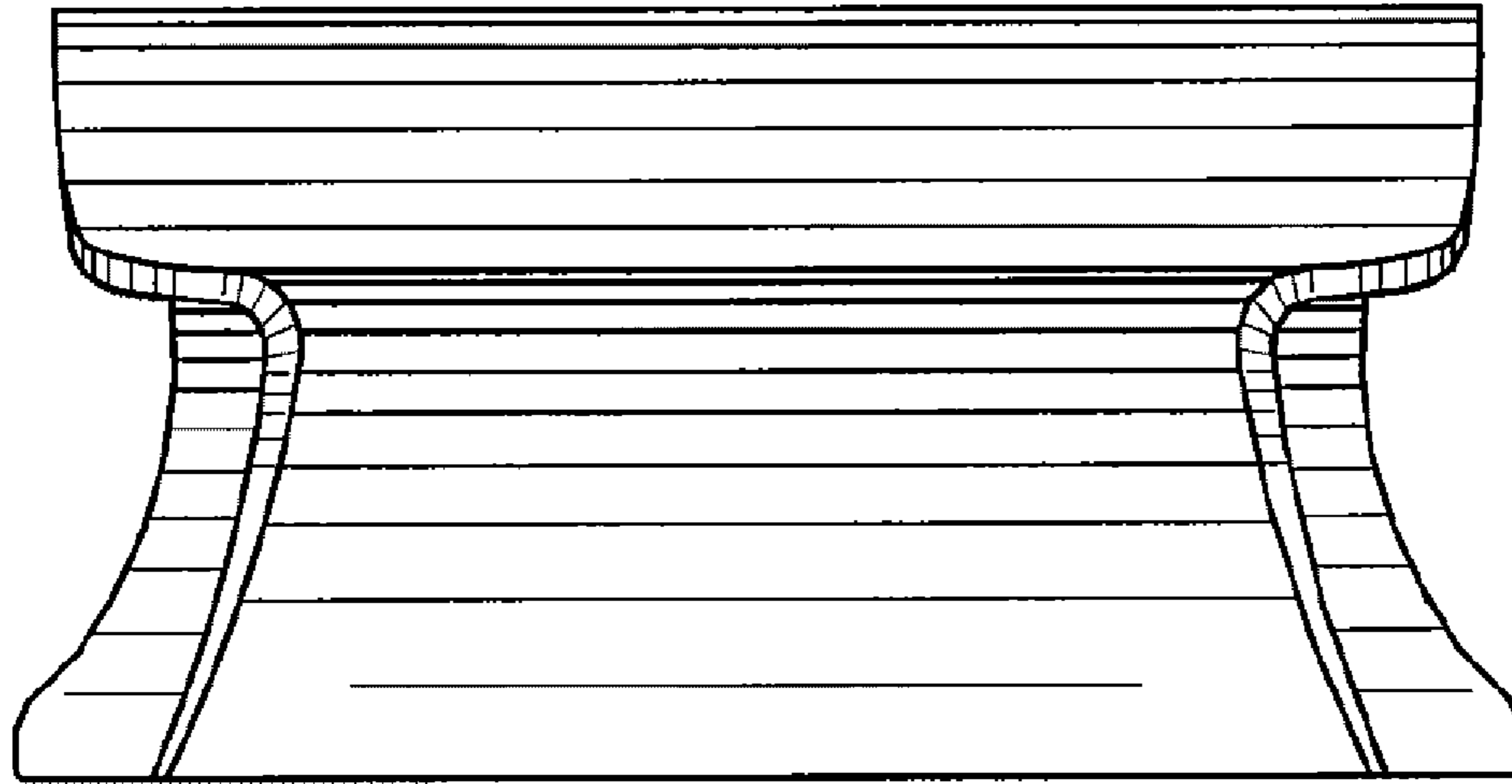


FIG. 6

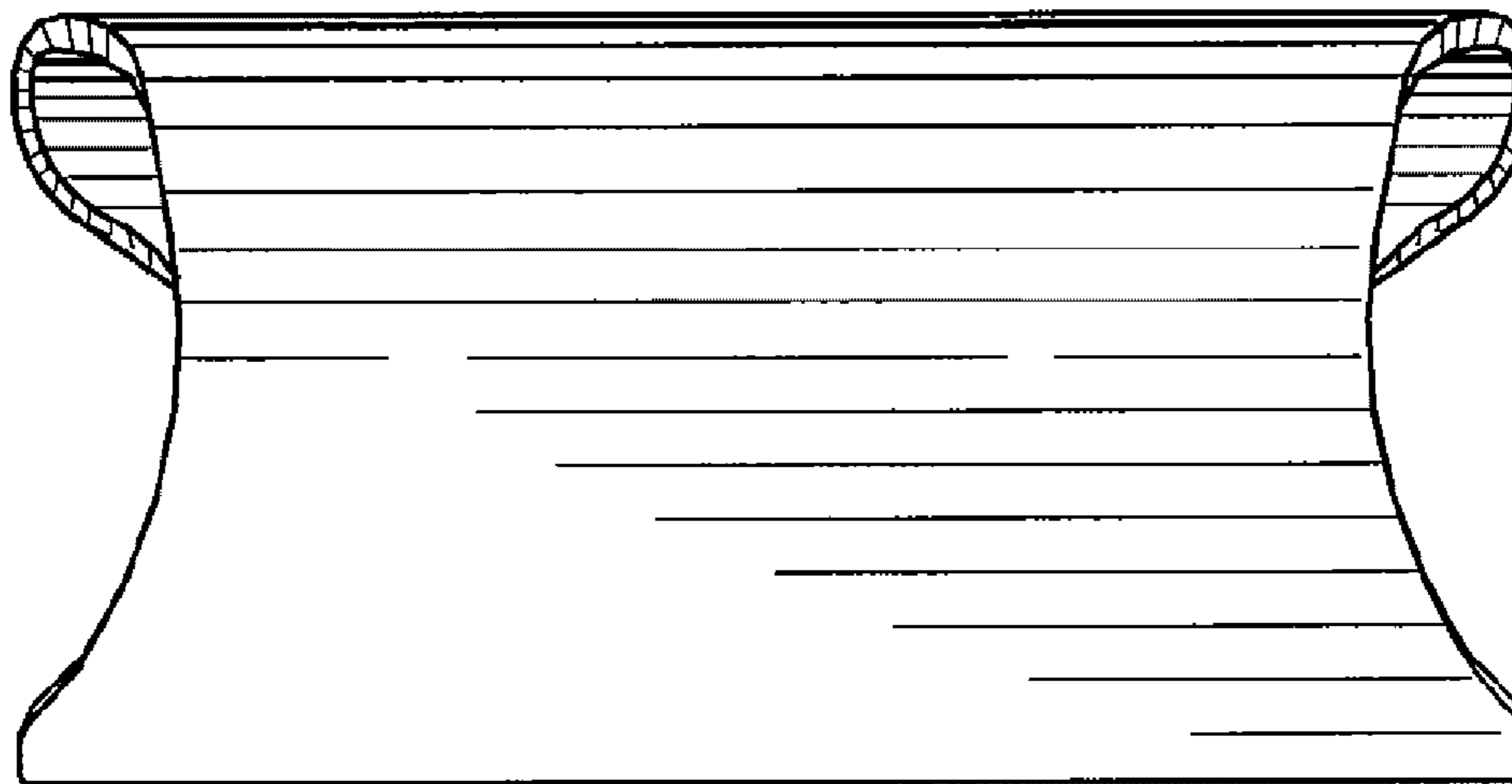


FIG. 7



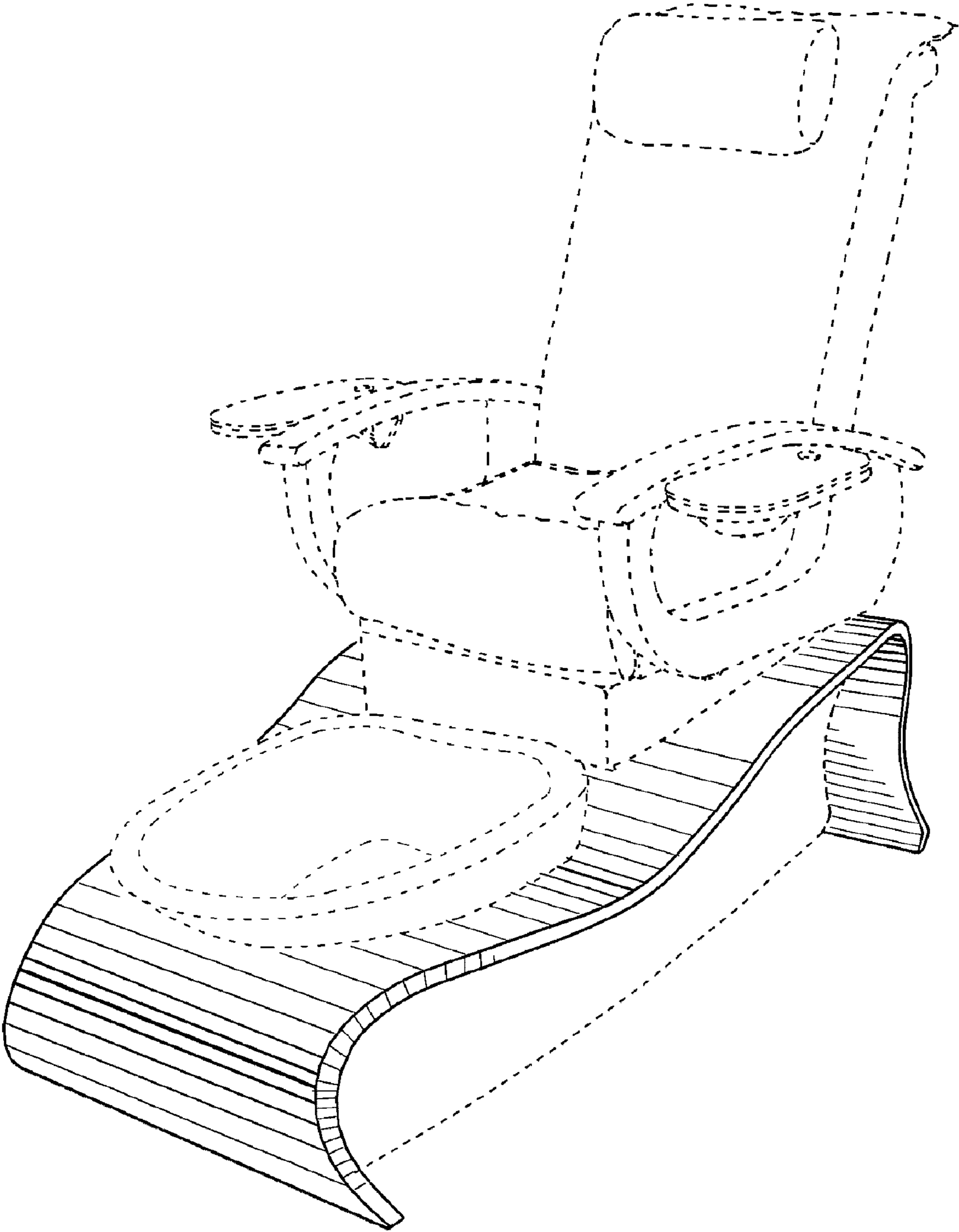


FIG.8